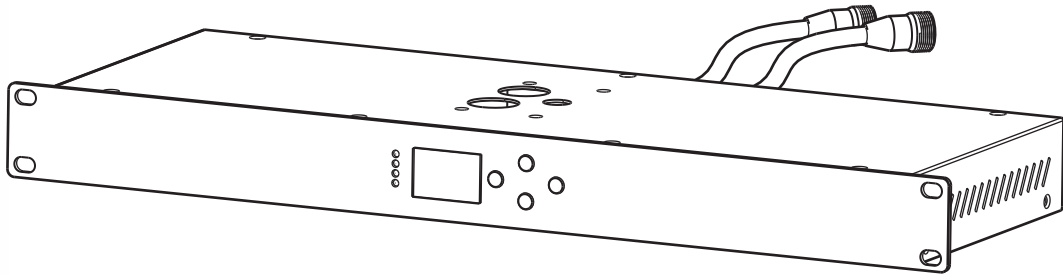


ÉPIX

FLEX DRIVE
User Manual



Edition Notes

The ÉPIX Flex Drive User Manual includes a description, safety precautions, installation, programming, operation and maintenance instructions for the ÉPIX Flex Drive as of the release date of this edition.

Trademarks

CHAUVET, the Chauvet logo and ÉPIX Flex Drive are registered trademarks or trademarks of Chauvet & Sons, LLC (d/b/a Chauvet and Chauvet Lighting) in the United States and other countries. Other company and product names and logos referred to herein may be trademarks of their respective companies.

Copyright Notice

The works of authorship contained in this manual, including, but not limited to, all design, text and images are owned by Chauvet.

© **Copyright 2019 Chauvet & Sons, LLC. All rights reserved.**

Electronically published by Chauvet in the United States of America.

Manual Use

Chauvet authorizes its customers to download and print this manual for professional information purposes only. Chauvet expressly prohibits the usage, copy, storage, distribution, modification, or printing of this manual or its content for any other purpose without written consent from Chauvet.

Document Printing

For best results, print this document in color, on letter size paper (8.5 x 11 in), double-sided. If using A4 paper (210 x 297 mm), configure the printer to scale the content accordingly.

Intended Audience

Any person installing, operating, and/or maintaining this product should completely read through the guide that shipped with the product, as well as this manual, before installing, operating, or maintaining this product.

Disclaimer

Chauvet believes that the information contained in this manual is accurate in all respects. However, Chauvet assumes no responsibility and specifically disclaims any and all liability to any party for any loss, damage or disruption caused by any errors or omissions in this document, whether such errors or omissions result from negligence, accident or any other cause. Chauvet reserves the right to revise the content of this document without any obligation to notify any person or company of such revision, however, Chauvet has no obligation to make, and does not commit to make, any such revisions. Download the latest version from www.chauvetprofessional.com.

Document Revision

This ÉPIX Flex Drive User Manual is the 1st edition of this document. Go to www.chauvetprofessional.com for the latest version.

TABLE OF CONTENTS

1. Before You Begin	1
What Is Included.....	1
Claims.....	1
Text Conventions.....	1
Symbols.....	1
Safety Notes.....	2
Personal Safety.....	2
Mounting and Rigging.....	2
Power and Wiring.....	2
Operation.....	2
Expected LED Lifespan.....	2
2. Introduction	3
Description.....	3
Features.....	3
Product Overview.....	3
Product Dimensions.....	4
3. Setup	5
AC Power.....	5
AC Plug.....	5
Fuse Replacement.....	5
Mounting.....	6
Orientation.....	6
Rigging.....	6
Procedure.....	6
Signal Connections.....	7
Art-Net™ Connection.....	7
sACN Connection.....	7
Kling-Net Connection.....	7
Remote Device Management (RDM).....	7
Connection Diagram.....	7
Connecting ÉPIX Flex Products.....	8
ÉPIX Flex Products Flowchart.....	9
4. Operation	10
Control Panel Operation.....	10
Device Status Screen.....	10
Menu Map.....	10
Configuration (Ethernet and DMX).....	11
Operating Mode.....	11
Personality.....	11
Port Setup.....	12
Start Address.....	12
Network Universe.....	12
LED Quantity.....	12
IP Mode.....	12
Netmask.....	12
Control Values.....	13
Pixel.....	13
17 Channel/34 Channel.....	24
Configuration (Standalone).....	25
Standalone Menu.....	25
Custom Color.....	25
Preset Color.....	25
Automatic Mode.....	26
Configuration (Settings).....	26
Display Timeout.....	26
Display Orientation.....	26
Factory Reset.....	26
System Information.....	26
Web Server.....	27
Web Server Operation.....	27
Firmware Update.....	27
5. Maintenance	28
Product Maintenance.....	28
6. Technical Specifications	29
Returns	30
Contact Us	31

1. Before You Begin

What Is Included

- ÉPIX Flex Drive
- Power Cord
- Quick Reference Guide

Claims

Carefully unpack the product immediately and check the container to make sure all the parts are in the package and are in good condition.




If the box or the contents (the product and included accessories) appear damaged from shipping, or show signs of mishandling, notify the carrier immediately, not Chauvet. Failure to report damage to the carrier immediately may invalidate your claim. In addition, keep the box and contents for inspection.

For other issues, such as missing components or parts, damage not related to shipping, or concealed damage, file a claim with Chauvet within 7 days of delivery.

Text Conventions

Convention	Meaning
1–512	A range of values
50/60	A set of values of which only one can be chosen
Settings	A menu option not to be modified
<ENTER>	A key to be pressed on the product's control panel

Symbols

Symbol	Meaning
	Critical installation, configuration, or operation information. Not following these instructions may make the product not work, cause damage to the product, or cause harm to the operator.
	Important installation or configuration information. The product may not function correctly if this information is not used.
	Useful information.



The term “DMX” used throughout this manual refers to the USITT DMX512-A digital data transmission protocol.

Before You Begin

Safety Notes

Read all the following safety notes before working with this product. These notes contain important information about the installation, usage, and maintenance of this product.



This product contains no user-serviceable parts. Any reference to servicing in this User Manual will only apply to properly trained, certified technicians. Do not open the housing or attempt any repairs.



All applicable local codes and regulations apply to proper installation of this product.

Personal Safety

- Avoid direct eye exposure to the light source while the product is on.
- Always disconnect the product from the power source before cleaning or replacing the fuse.
- Always connect the product to a grounded circuit to avoid the risk of electrocution.
- Do not touch the product's housing when operating because it may be very hot.

Mounting and Rigging

- This product is for indoor use only! To prevent risk of fire or shock, do not expose this product to rain or moisture. (IP20)
- CAUTION: When transferring product from extreme temperature environments, (e.g., cold truck to warm, humid ballroom) condensation may form on the internal electronics of the product. To avoid causing a failure, allow product to fully acclimate to the surrounding environment before connecting it to power.
- Mount this product in a location with adequate ventilation, at least 20 in (50 cm) from adjacent surfaces.
- Make sure there are no flammable materials close to the product when operating.
- When hanging this product, always secure to a fastening device using a safety cable.

Power and Wiring

- Always make sure you are connecting the product to the proper voltage in accordance with the specifications in this manual or on the product's specification label.
- Never connect the product to a dimmer pack or rheostat.
- Never disconnect this product by pulling or tugging on the power cable.

Operation

- Do not operate this product if there is damage on the housing, lenses, or cables. Have the damaged parts replaced by an authorized technician at once.
- Do not cover the ventilation slots when operating to avoid internal overheating.
- The maximum ambient temperature is 113 °F (45 °C). Do not operate the product at higher temperatures.
- The minimum startup temperature is -4°F (-20°C). Do not start the product at lower temperatures.
- The minimum ambient temperature is -22°F (-30°C). Do not operate the product at lower temperatures.
- In the event of a serious operation problem, stop using this product immediately!



If your Chauvet product requires service, contact Chauvet Technical Support.

Expected LED Lifespan

Over time, use and heat will gradually reduce LED brightness. Clustered LEDs produce more heat than single LEDs, contributing to shorter lifespans if always used at full intensity. The average LED lifespan is 40,000 to 50,000 hours. To extend LED lifespan, maintain proper ventilation around the product, and limit the overall intensity.

2. Introduction

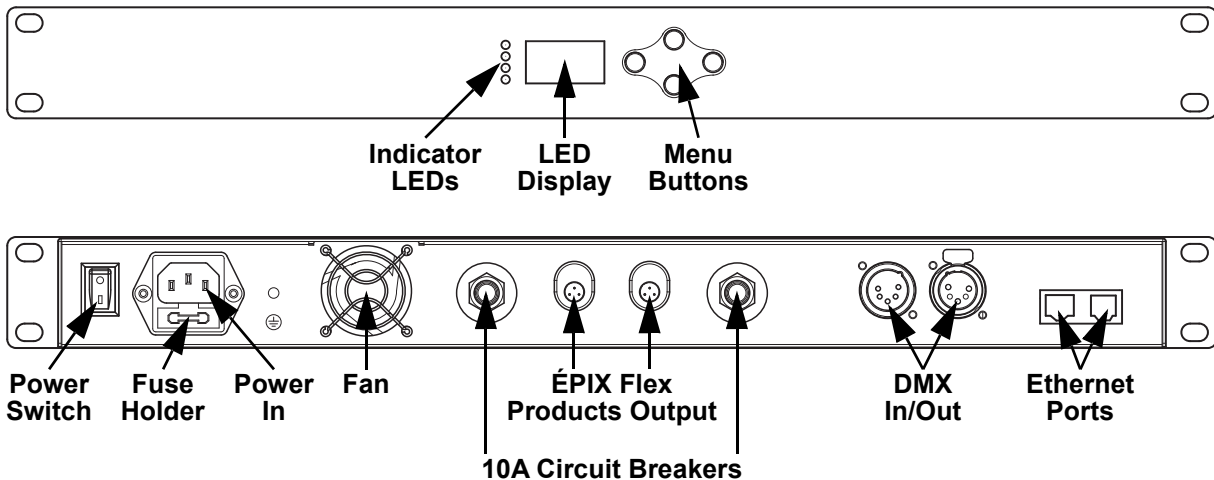
Description

The ÉPIX Flex Drive controls the ÉPIX Flex 20 with 2 plug and play outputs that drive up to 4 ÉPIX Flex 20 products at 960 LEDs each. Adding an ÉPIX Flex Boost to each output doubles the capacity of the drive to 1920 LEDs or 8 ÉPIX Flex 20, which reduces cost per linear feet. To ease installation, the ÉPIX Flex Drive allows for 75ft of extension cables between it and the first ÉPIX Flex 20. Use either pixel control or its simplified 17 / 34-channel control personalities to support changing colors and built-in automatic programs. A webserver is supported for remote configuration and for firmware updates.

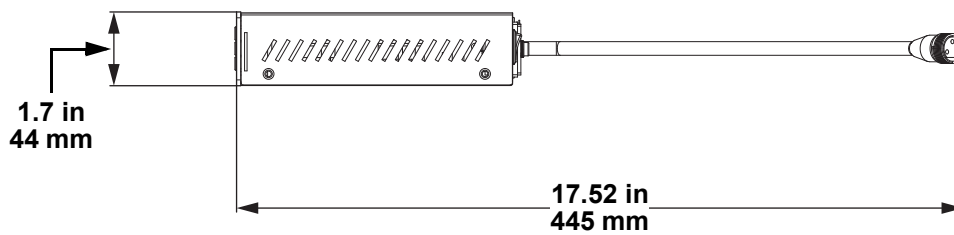
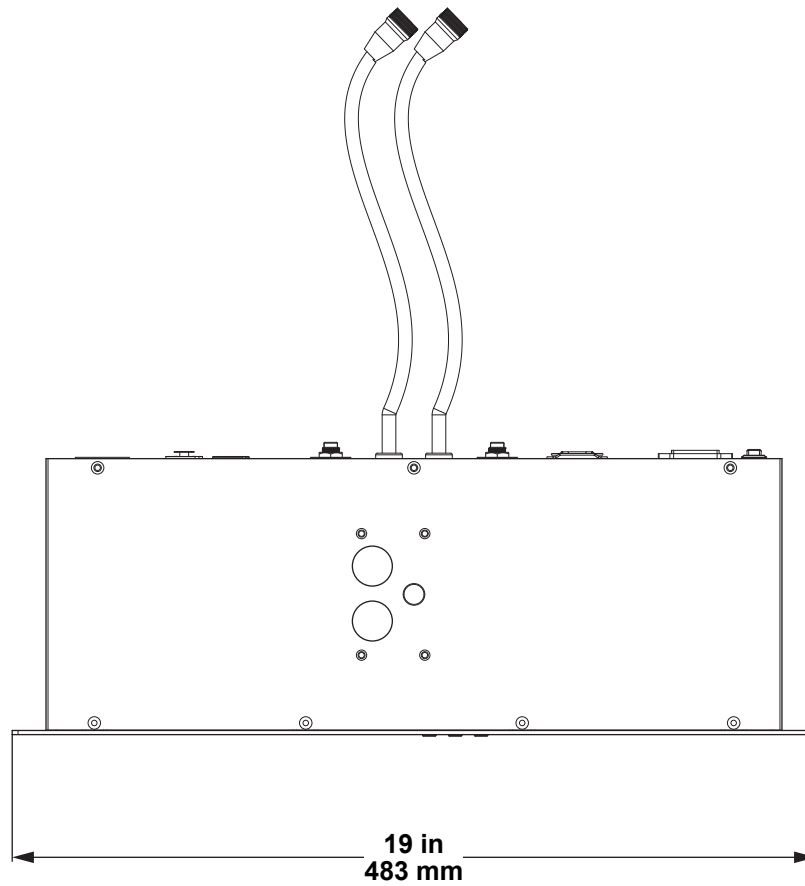
Features

- The processing and power center of the ÉPIX Flex system drives the ÉPIX Flex 20 pixel product.
- Versatile control options include DMX, Art-Net™ and sACN (streaming ACN) to support the touring/rental/installation markets.
- Quickly and easily configure the ÉPIX Flex Drive using the built-in OLED display and menu.
- Easily configure your ÉPIX Flex 20 by assigning the pixel count/output (2 total).
- Supports up to 4 ÉPIX Flex 20 5 meter rolls, or up to 8 with the ÉPIX Flex Boost (sold separately).
- Easily daisy chain fixtures directly from the 2 outputs of the Flex Drive.
- Advanced power management design allows you to position the ÉPIX Flex Drive up to 50 ft away from your first ÉPIX Flex 20.
- Works with Arkaos Media Master Express for a plug-n-play system that requires almost no training to operate.
- Supports RDM over Art-Net™ and full webserver interface for remote configuration and firmware updates.
- Multiple control personalities offers flexibility for detailed pixel-level control or simplified plug and play options using the 17/34 channel modes.

Product Overview



Product Dimensions



3. Setup

AC Power

The ÉPIX Flex Drive has an auto-ranging power supply and it can work with an input voltage range of 100 to 240 VAC, 50/60 Hz.

To determine the product's power requirements (circuit breaker, power outlet, and wiring), use the current value listed on the label affixed to the product's back panel, or refer to the product's specifications chart.

The listed current rating indicates the product's average current draw under normal conditions.



- **Always connect the product to a protected circuit (a circuit breaker or fuse). Make sure the product has an appropriate electrical ground to avoid the risk of electrocution or fire.**
- **To eliminate unnecessary wear and improve its lifespan, during periods of non-use completely disconnect the product from power via breaker or by unplugging it.**



Never connect the product to a rheostat (variable resistor) or dimmer circuit, even if the rheostat or dimmer channel serves only as a 0 to 100% switch.

AC Plug

The ÉPIX Flex Drive comes with a power input cord terminated with an IEC connector on one end and an Edison plug on the other end (U.S. market). If the power input cord that came with your product has no plug, or if you need to change the plug, use the table below to wire the new plug.

Connection	Wire (U.S.)	Wire (Europe)	Screw Color
AC Live	Black	Brown	Yellow or Brass
AC Neutral	White	Blue	Silver
AC Ground	Green/Yellow	Green/Yellow	Green

Fuse Replacement

1. Disconnect the product from power.
2. Wedge the tip of a flat-head screwdriver into the slot of the fuse holder.
3. Pry the safety cap out of the housing.
4. Remove the blown fuse from the clip on the front of the safety cap and replace with a fuse of the exact same type and rating.
5. Re-insert the fuse holder and reconnect power.



- **Disconnect the product from power before replacing a blown fuse.**
- **Always replace the blown fuse with another of the same type and rating.**

Setup

Mounting

Before mounting the product, read and follow the safety recommendations indicated in the Safety Notes. For our CHAUVET Professional line of mounting clamps, go to <http://trusst.com/products/>. The ÉPIX Flex Drive also fits on a standard 19" rack.

Orientation

Always mount this product in a safe position, making sure there is adequate room for ventilation, configuration, and maintenance.

Rigging

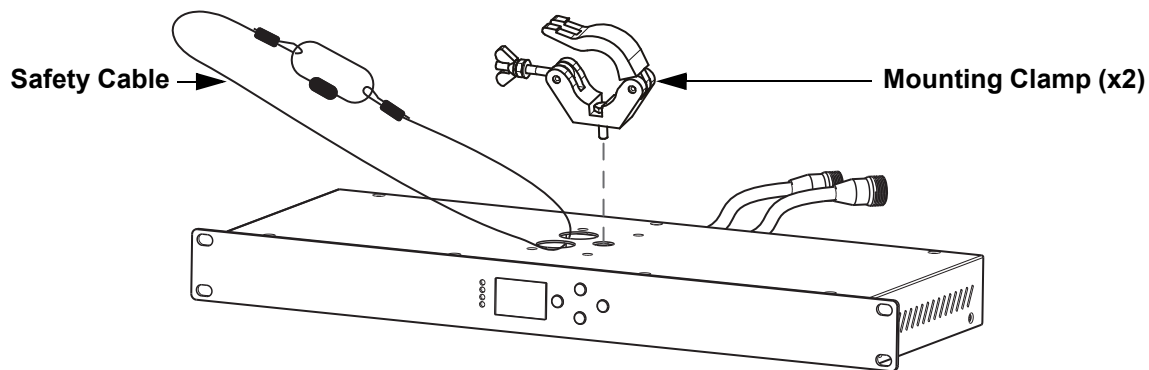
Chauvet recommends using the following general guidelines when mounting this product.

- Before deciding on a location for the product, make sure there is easy access to the product for maintenance and programming purposes.
- Make sure that the structure onto which you are mounting the product can support the product's weight. See the [Technical Specifications](#) for weight information.
- When mounting the product overhead, always use a safety cable. Mount the product securely to a rigging point, whether an elevated platform or a truss.
- When rigging the product onto a truss, use a mounting clamp of appropriate weight capacity.
- When power linking multiple products, mount the products close enough for power linking cables to reach.
- The bracket adjustment knobs allow for directional adjustment when aiming the product to the desired angle. Only loosen or tighten the bracket knobs manually. Using tools could damage the knobs.

Procedure

The ÉPIX Flex Drive comes with a bracket to which you can attach a mounting clamp directly. Mounting clamps are sold separately. Make sure the clamps are capable of supporting the weight of this product. Use at least two mounting points per product. For the CHAUVET Professional line of mounting clamps, go to <http://www.trusst.com/products>.

Mounting Diagram



Signal Connections

The ÉPIX Flex Drive can receive DMX, Art-Net™, sACN, or Kling-Net signal. The ÉPIX Flex Drive has 2 Seetronic Etherkon IP65 through ports, and 3- and 5-pin DMX in and out ports. For more information about DMX, read the DMX primer at: https://www.chauvetprofessional.com/wp-content/uploads/2016/06/DMX_Primer.pdf.

Art-Net™ Connection

Art-Net™ is an Ethernet protocol that uses TCP/IP which transfers a large amount of DMX512 data using a Seetronic Etherkon IP65 connection over a large network. An Art-Net™ protocol document is available from www.chauvetprofessional.com.

Art-Net™ designed by and copyright Artistic Licence Holdings Ltd.

sACN Connection

Also known as ANSI E1.31, streaming ACN is an Ethernet protocol that uses the layering and formatting of Architecture for Control Networks to transport DMX512 data over IP or any other ACN compatible network.

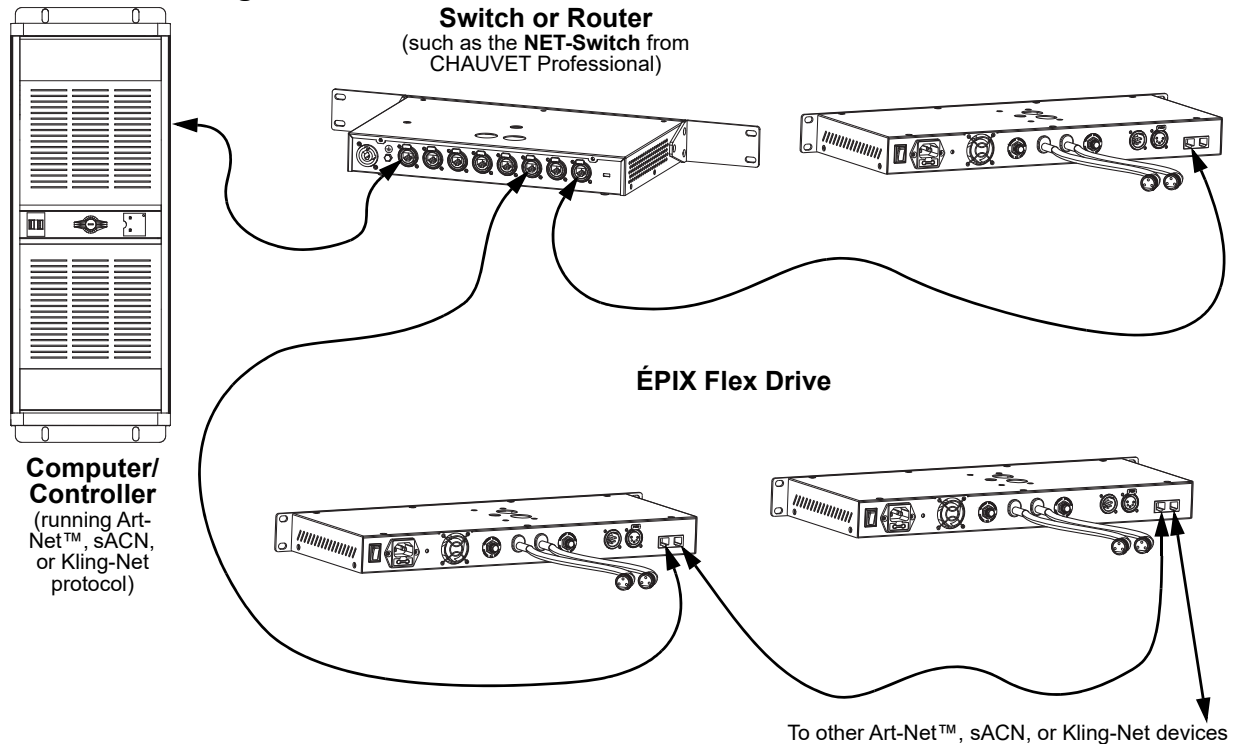
Kling-Net Connection

Kling-Net is a network protocol that allows auto configuration of display devices using a Seetronic Etherkon IP65 Ethernet connection. Refer to the ArKaos software manual for detailed instructions on programming this product.

Remote Device Management (RDM)

Remote Device Management, or RDM, is a standard for allowing DMX-enabled devices to communicate bi-directionally along existing DMX cabling. Check the DMX controller's User Manual or with the manufacturer as not all DMX controllers have this capability. The ÉPIX Flex Drive supports RDM protocol that allows feedback to make changes to menu map options.

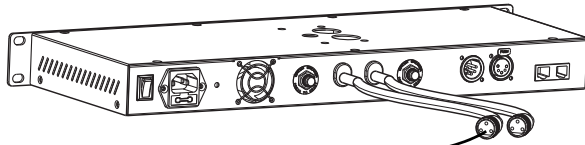
Connection Diagram



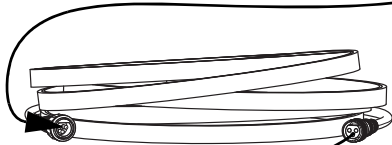
Setup

Connecting ÉPIX Flex Products

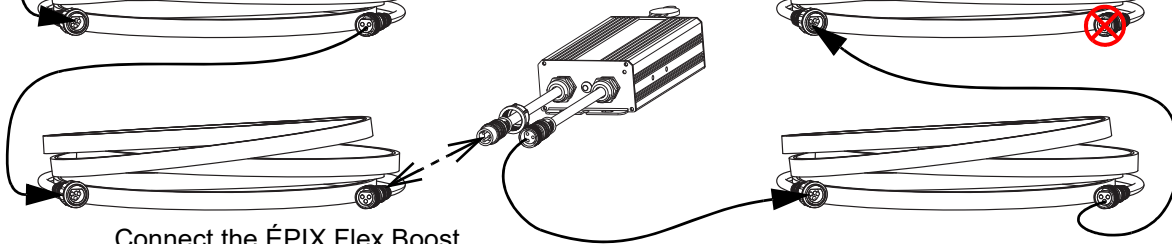
The ÉPIX Flex Drive is the power supply for the ÉPIX Flex series of products. Each product must be daisy-chained together in series. This power supply is capable of powering up to 1,920 LEDs (960 from each port).



Length of cables between ÉPIX Flex Drive and 1st ÉPIX Flex 20 must not exceed 75 ft (22.9 m).



Length of cables between ÉPIX Flex 20 products must not exceed 10 ft (3 m).



Connect the ÉPIX Flex Boost directly to the previous ÉPIX Flex 20.

Length of cables between ÉPIX Flex Boost and the next ÉPIX Flex 20 must not exceed 30 ft (9.1 m).

The ÉPIX Flex Drive can support 2 ÉPIX Flex 20 products with each port by itself, for a total of 4 ÉPIX Flex 20 products.

Connect an ÉPIX Flex Boost after the second ÉPIX Flex 20 product on each port to enable the ÉPIX Flex Drive to support an additional 2 ÉPIX Flex 20 products with each port. This increases the total to 8 ÉPIX Flex 20 products (4 per port).

The recommended connection order from each port of the ÉPIX Flex Drive is as follows:



1. ÉPIX Flex Drive port
2. ÉPIX Flex 20
3. ÉPIX Flex 20
4. ÉPIX Flex Boost
5. ÉPIX Flex 20
6. ÉPIX Flex 20 (end)

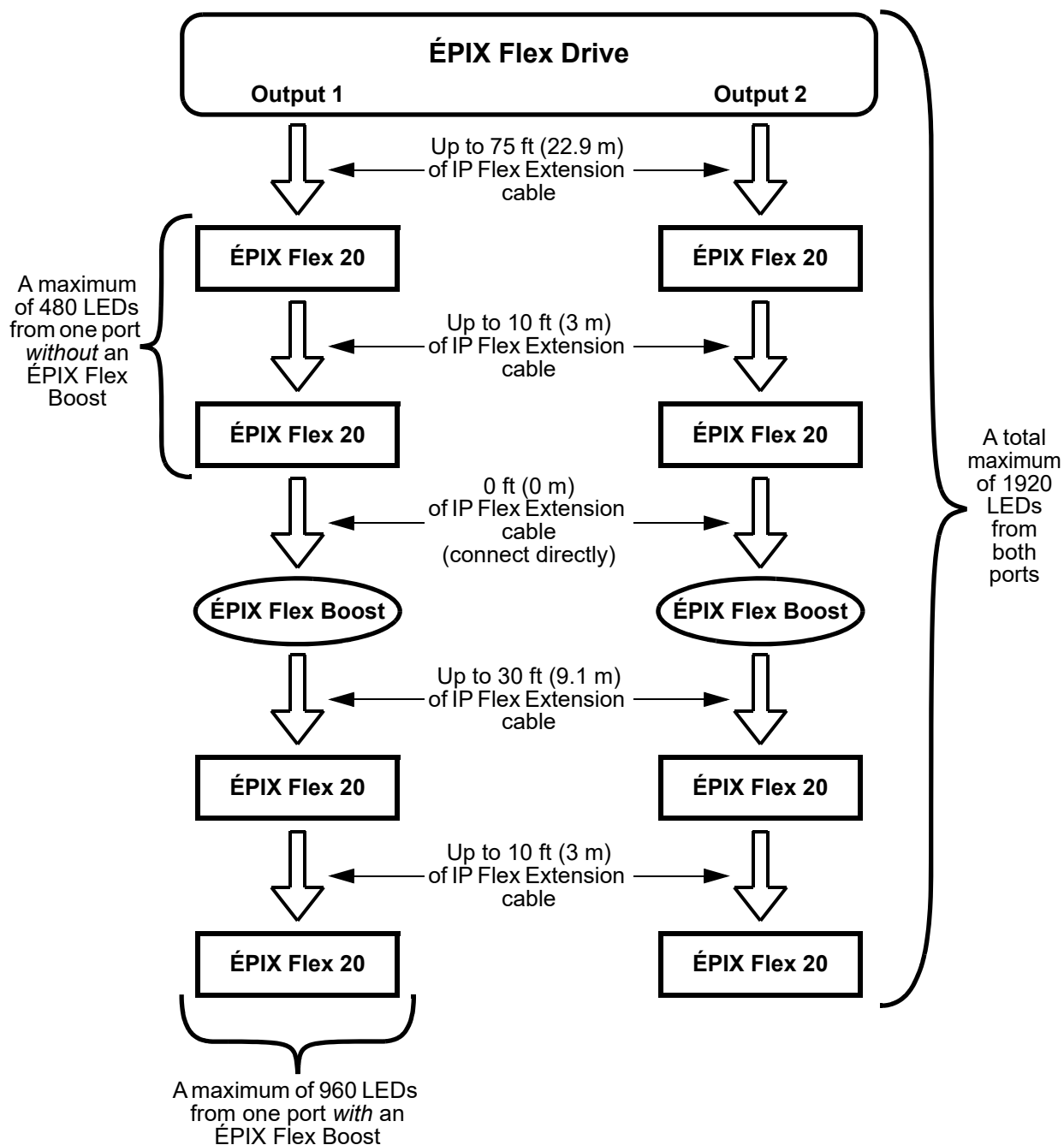


- Make sure the length of cables between each ÉPIX Flex Drive port and the first ÉPIX Flex 20 does not exceed 75 ft (22.9 m).
- Make sure the length of cables between each ÉPIX Flex 20 does not exceed 10 ft (3 m).
- Make sure the ÉPIX Flex Boost is plugged directly into the previous ÉPIX Flex 20.
- Make sure the length of cables between the ÉPIX Flex Boost and the next ÉPIX Flex 20 does not exceed 30 ft (9.1 m).



Use ONLY CHAUVET Professional cables with the ÉPIX Flex Drive. For our line of cables compatible with the ÉPIX Flex Drive, go to <https://www.chauvetprofessional.com/accessories>.

ÉPIX Flex Products Flowchart



4. Operation

Control Panel Operation

Button	Function
<MENU>	Exits from the current menu or function
<UP>	Enables the currently displayed menu or sets the currently selected value in to the current function
<DOWN>	Navigates upward through the menu list or increases the numeric value when in a function
<ENTER>	Navigates downward through the menu list or decreases the numeric value when in a function

Device Status Screen

The home screen of the ÉPIX Flex Drive displays the current control protocol, the address of each output, the personality, and whether there are ethernet connections or a DMX connection.

To access the Device Status screen, press and hold <MENU> for 3 seconds, or leave the display inactive for 30 seconds.

From the Device Status screen, press <MENU> to access the main menu, or press <ENTER> to access the Port Setup menu.

Menu Map

Main Level	Programming Levels			Description
1. Operating Mode	1. Standalone			Selects the control protocol
	2. Art-Net			
	3. sACN			
	4. DMX			
2. Personality	1. 17 Channel			Sets the control personality (see Control Personalities)
	2. 34 Channel			
	3. Pixel			
3. Port Setup	1. Output 1	1. DMX Start Address	1–496	Sets the starting address for Output 1
		2. Network Universe	0–256	Sets the lowest of the consecutive universes to which Output 1 is assigned (range determined by Operating Mode)
		3. LED Quantity	1–960	Sets the number of LEDs controlled by Output 1
	2. Output 2	1. DMX Start Address	1–496	Sets the starting address for Output 2 in 34 Channel mode and Pixel mode
		2. Network Universe	0–256	Sets the lowest of the consecutive universes to which Output 2 is assigned (range determined by Operating Mode)
		3. LED Quantity	1–960	Sets the number of LEDs controlled by Output 2
4. Set IP Mode	1. Manual IP	_ _ _ . _ _ _ . _ _ _ . _ _ _		Sets a custom IP address (0–255)
	2. Static IP			Sets a preset IP address
5. Set Netmask	A. 255.000.000.000			Sets the net mask
	B. 255.255.000.000			
	C. 255.255.255.000			

Main Level	Programming Levels		Description	
6.Standalone Mode	1.User Color	1.Red:	000–255	Combine red, green, and blue to make a custom color
		2.Green:		
		3.Blue:		
	2.Preset Color	1.Red		Preset static colors
		2.Green		
		3.Blue		
		4.Cyan		
		5.Magenta		
		6.Yellow		
	3.Automatic	1.Program:	000–042	Selects an automatic program
2.Speed:		000–100	Sets the automatic program speed	
7.Set LCD Backlight	On		Display backlight always on	
	30s		Turns off display backlight after 30 seconds of inactivity	
8.Set Display	Normal		Rotates display 180°	
	Inverted			
9.Factory Reset	NO		Resets the product to factory defaults	
	YES			
10.Fixture UID	-----		Shows product UID	
11.Firmware Version	B _ . V _ . _ _ . _ .		Shows current firmware version	

Configuration (Ethernet and DMX)

The ÉPIX Flex Drive operates by routing Art-Net™, sACN, or DMX to the ÉPIX Flex 20 and ÉPIX Flex Boost products linked to the outputs of the Drive. The protocol must be set for the products to respond correctly to the controller. See the [Menu Map](#) for more information on menu options.

Operating Mode

To configure the control protocol for the ÉPIX Flex Drive, follow the instructions below.

1. Press <MENU> repeatedly until **1.Operating Mode** is selected.
2. Press <ENTER>.
3. Use <UP> or <DOWN> to select from **1.Standalone**, **2.Art-Net**, **3.sACN**, or **4.DMX**.
4. Press <ENTER>.

Personality

The ÉPIX Flex Drive uses Art-Net™, sACN, or DMX for its 3 control personalities:

Personality	Channels	Description
17 Channel	17	Dimmer, foreground and background RGB control, strobe, auto programs, program speed, and offset, test mode
34 Channel	17 per output	Enables output ports to be addressed separately for individual 17-channel control
Pixel	720 per ÉPIX Flex 20	Complete pixel control. Only 170 LEDs are accessible by DMX. An ethernet protocol (Art-Net™ or sACN) with multiple universes must be used to access all connected LEDs.

To select the control personality for either port, do the following:

1. Press <MENU> repeatedly until **2.Personality** is selected.
2. Press <ENTER>.
3. Use <UP> or <DOWN> to select from **1.17 Channel**, **2.34 Channel**, or **3.Pixel**.
4. Press <ENTER>.

Operation

Port Setup

To access the settings for Output 1 or Output 2, follow the instructions below.

1. Press **<MENU>** repeatedly until **3.Port Setup** is selected.
2. Press **<ENTER>**.
3. Use **<UP>** or **<DOWN>** to select **1.Output 1** or **2.Output 2**.
4. Press **<ENTER>**.

Start Address

To set the starting address for either port of the ÉPIX Flex Drive, do the following:

1. Navigate to the [Port Setup](#) for the desired port.
2. Use **<UP>** or **<DOWN>** to select **1.DMX Start Address**.
3. Press **<ENTER>**.
4. Use **<UP>** or **<DOWN>** to increase or decrease the starting DMX address for the selected port, from **1–496**.
5. Press **<ENTER>**.



The DMX Start Address for Output 2 only affects the 34 Channel and Pixel personalities.

Network Universe

Each ÉPIX Flex Drive uses 6 consecutive universes in Art-Net™ mode and sACN mode, which are assigned by setting the starting (lowest-numbered) universe address.

To set the starting universe for either port, follow the instructions below.

1. Navigate to the [Port Setup](#) for the desired port.
2. Use **<UP>** or **<DOWN>** to select **2.Network Universe**.
3. Press **<ENTER>**.
4. Use **<UP>** or **<DOWN>** to increase or decrease the lowest consecutive universe for the selected port, from **000–256**.
5. Press **<ENTER>**.

LED Quantity

This setting specifies the number of LEDs connected to each port of the ÉPIX Flex Drive. The automatic programs are scaled according to the value selected in this setting. To change this setting, do the following:

1. Navigate to the [Port Setup](#) for the desired port.
2. Use **<UP>** or **<DOWN>** to select **3.LED Quantity**.
3. Press **<ENTER>**.
4. Use **<UP>** or **<DOWN>** to increase or decrease the number of LEDs connected to the selected port, from **1–960**. (Each ÉPIX Flex 20 has 240 LEDs. 2 ÉPIX Flex 20 products will have 480, 3 will have 720, and 4 will have 960.)
5. Press **<ENTER>**.

IP Mode

The IP address of the ÉPIX Flex Drive can be set automatically or manually. To configure the IP mode, follow the instructions below.

1. Press **<MENU>** repeatedly until **4.Set IP Mode** is selected.
2. Use **<UP>** or **<DOWN>** to select either **1.Manual IP** or **2.Static IP**.
3. Press **<ENTER>**.
4. If **1.Manual IP** was selected, use **<UP>** or **<DOWN>** to increase or decrease the selected number in the IP address, from **0–255**.
5. Press **<ENTER>**.
6. Repeat steps 4 and 5 until the IP address is set as desired.

Netmask

To set the netmask of the ÉPIX Flex Drive when in Manual IP mode, do the following:

1. Press **<MENU>** repeatedly until **5.Set Netmask** is selected.
2. Use **<UP>** or **<DOWN>** to select from **A. 255.000.000.000**, **B. 255.255.000.000**, or **C. 255.255.255.000**.
3. Press **<ENTER>**.

Control Values

Pixel



- Only 170 LEDs are accessible by DMX in Pixel mode.
- An ethernet protocol (Art-Net™ or sACN) with multiple universes must be used to access all connected LEDs in Pixel mode.

Channel	Function	Value	Percent/Setting
1	Red 1	000 ⇔ 255	0–100%
2	Green 1	000 ⇔ 255	0–100%
3	Blue 1	000 ⇔ 255	0–100%
4	Red 2	000 ⇔ 255	0–100%
5	Green 2	000 ⇔ 255	0–100%
6	Blue 2	000 ⇔ 255	0–100%
7	Red 3	000 ⇔ 255	0–100%
8	Green 3	000 ⇔ 255	0–100%
9	Blue 3	000 ⇔ 255	0–100%
10	Red 4	000 ⇔ 255	0–100%
11	Green 4	000 ⇔ 255	0–100%
12	Blue 4	000 ⇔ 255	0–100%
13	Red 5	000 ⇔ 255	0–100%
14	Green 5	000 ⇔ 255	0–100%
15	Blue 5	000 ⇔ 255	0–100%
16	Red 6	000 ⇔ 255	0–100%
17	Green 6	000 ⇔ 255	0–100%
18	Blue 6	000 ⇔ 255	0–100%
19	Red 7	000 ⇔ 255	0–100%
20	Green 7	000 ⇔ 255	0–100%
21	Blue 7	000 ⇔ 255	0–100%
22	Red 8	000 ⇔ 255	0–100%
23	Green 8	000 ⇔ 255	0–100%
24	Blue 8	000 ⇔ 255	0–100%
25	Red 9	000 ⇔ 255	0–100%
26	Green 9	000 ⇔ 255	0–100%
27	Blue 9	000 ⇔ 255	0–100%
28	Red 10	000 ⇔ 255	0–100%
29	Green 10	000 ⇔ 255	0–100%
30	Blue 10	000 ⇔ 255	0–100%
31	Red 11	000 ⇔ 255	0–100%
32	Green 11	000 ⇔ 255	0–100%
33	Blue 11	000 ⇔ 255	0–100%
34	Red 12	000 ⇔ 255	0–100%
35	Green 12	000 ⇔ 255	0–100%
36	Blue 12	000 ⇔ 255	0–100%
37	Red 13	000 ⇔ 255	0–100%
38	Green 13	000 ⇔ 255	0–100%
39	Blue 13	000 ⇔ 255	0–100%
40	Red 14	000 ⇔ 255	0–100%
41	Green 14	000 ⇔ 255	0–100%

Operation

Channel	Function	Value	Percent/Setting
42	Blue 14	000 ⇔ 255	0–100%
43	Red 15	000 ⇔ 255	0–100%
44	Green 15	000 ⇔ 255	0–100%
45	Blue 15	000 ⇔ 255	0–100%
46	Red 16	000 ⇔ 255	0–100%
47	Green 16	000 ⇔ 255	0–100%
48	Blue 16	000 ⇔ 255	0–100%
49	Red 17	000 ⇔ 255	0–100%
50	Green 17	000 ⇔ 255	0–100%
51	Blue 17	000 ⇔ 255	0–100%
52	Red 18	000 ⇔ 255	0–100%
53	Green 18	000 ⇔ 255	0–100%
54	Blue 18	000 ⇔ 255	0–100%
55	Red 19	000 ⇔ 255	0–100%
56	Green 19	000 ⇔ 255	0–100%
57	Blue 19	000 ⇔ 255	0–100%
58	Red 20	000 ⇔ 255	0–100%
59	Green 20	000 ⇔ 255	0–100%
60	Blue 20	000 ⇔ 255	0–100%
61	Red 21	000 ⇔ 255	0–100%
62	Green 21	000 ⇔ 255	0–100%
63	Blue 21	000 ⇔ 255	0–100%
64	Red 22	000 ⇔ 255	0–100%
65	Green 22	000 ⇔ 255	0–100%
66	Blue 22	000 ⇔ 255	0–100%
67	Red 23	000 ⇔ 255	0–100%
68	Green 23	000 ⇔ 255	0–100%
69	Blue 23	000 ⇔ 255	0–100%
70	Red 24	000 ⇔ 255	0–100%
71	Green 24	000 ⇔ 255	0–100%
72	Blue 24	000 ⇔ 255	0–100%
73	Red 25	000 ⇔ 255	0–100%
74	Green 25	000 ⇔ 255	0–100%
75	Blue 25	000 ⇔ 255	0–100%
76	Red 26	000 ⇔ 255	0–100%
77	Green 26	000 ⇔ 255	0–100%
78	Blue 26	000 ⇔ 255	0–100%
79	Red 27	000 ⇔ 255	0–100%
80	Green 27	000 ⇔ 255	0–100%
81	Blue 27	000 ⇔ 255	0–100%
82	Red 28	000 ⇔ 255	0–100%
83	Green 28	000 ⇔ 255	0–100%
84	Blue 28	000 ⇔ 255	0–100%
85	Red 29	000 ⇔ 255	0–100%
86	Green 29	000 ⇔ 255	0–100%
87	Blue 29	000 ⇔ 255	0–100%

Channel	Function	Value	Percent/Setting
88	Red 30	000 ⇔ 255	0–100%
89	Green 30	000 ⇔ 255	0–100%
90	Blue 30	000 ⇔ 255	0–100%
91	Red 31	000 ⇔ 255	0–100%
92	Green 31	000 ⇔ 255	0–100%
93	Blue 31	000 ⇔ 255	0–100%
94	Red 32	000 ⇔ 255	0–100%
95	Green 32	000 ⇔ 255	0–100%
96	Blue 32	000 ⇔ 255	0–100%
97	Red 33	000 ⇔ 255	0–100%
98	Green 33	000 ⇔ 255	0–100%
99	Blue 33	000 ⇔ 255	0–100%
100	Red 34	000 ⇔ 255	0–100%
101	Green 34	000 ⇔ 255	0–100%
102	Blue 34	000 ⇔ 255	0–100%
103	Red 35	000 ⇔ 255	0–100%
104	Green 35	000 ⇔ 255	0–100%
105	Blue 35	000 ⇔ 255	0–100%
106	Red 36	000 ⇔ 255	0–100%
107	Green 36	000 ⇔ 255	0–100%
108	Blue 36	000 ⇔ 255	0–100%
109	Red 37	000 ⇔ 255	0–100%
110	Green 37	000 ⇔ 255	0–100%
111	Blue 37	000 ⇔ 255	0–100%
112	Red 38	000 ⇔ 255	0–100%
113	Green 38	000 ⇔ 255	0–100%
114	Blue 38	000 ⇔ 255	0–100%
115	Red 39	000 ⇔ 255	0–100%
116	Green 39	000 ⇔ 255	0–100%
117	Blue 39	000 ⇔ 255	0–100%
118	Red 40	000 ⇔ 255	0–100%
119	Green 40	000 ⇔ 255	0–100%
120	Blue 40	000 ⇔ 255	0–100%
121	Red 41	000 ⇔ 255	0–100%
122	Green 41	000 ⇔ 255	0–100%
123	Blue 41	000 ⇔ 255	0–100%
124	Red 42	000 ⇔ 255	0–100%
125	Green 42	000 ⇔ 255	0–100%
126	Blue 42	000 ⇔ 255	0–100%
127	Red 43	000 ⇔ 255	0–100%
128	Green 43	000 ⇔ 255	0–100%
129	Blue 43	000 ⇔ 255	0–100%
130	Red 44	000 ⇔ 255	0–100%
131	Green 44	000 ⇔ 255	0–100%
132	Blue 44	000 ⇔ 255	0–100%
133	Red 45	000 ⇔ 255	0–100%

Operation

Channel	Function	Value	Percent/Setting
134	Green 45	000 ⇔ 255	0–100%
135	Blue 45	000 ⇔ 255	0–100%
136	Red 46	000 ⇔ 255	0–100%
137	Green 46	000 ⇔ 255	0–100%
138	Blue 46	000 ⇔ 255	0–100%
139	Red 47	000 ⇔ 255	0–100%
140	Green 47	000 ⇔ 255	0–100%
141	Blue 47	000 ⇔ 255	0–100%
142	Red 48	000 ⇔ 255	0–100%
143	Green 48	000 ⇔ 255	0–100%
144	Blue 48	000 ⇔ 255	0–100%
145	Red 49	000 ⇔ 255	0–100%
146	Green 49	000 ⇔ 255	0–100%
147	Blue 49	000 ⇔ 255	0–100%
148	Red 50	000 ⇔ 255	0–100%
149	Green 50	000 ⇔ 255	0–100%
150	Blue 50	000 ⇔ 255	0–100%
151	Red 51	000 ⇔ 255	0–100%
152	Green 51	000 ⇔ 255	0–100%
153	Blue 51	000 ⇔ 255	0–100%
154	Red 52	000 ⇔ 255	0–100%
155	Green 52	000 ⇔ 255	0–100%
156	Blue 52	000 ⇔ 255	0–100%
157	Red 53	000 ⇔ 255	0–100%
158	Green 53	000 ⇔ 255	0–100%
159	Blue 53	000 ⇔ 255	0–100%
160	Red 54	000 ⇔ 255	0–100%
161	Green 54	000 ⇔ 255	0–100%
162	Blue 54	000 ⇔ 255	0–100%
163	Red 55	000 ⇔ 255	0–100%
164	Green 55	000 ⇔ 255	0–100%
165	Blue 55	000 ⇔ 255	0–100%
166	Red 56	000 ⇔ 255	0–100%
167	Green 56	000 ⇔ 255	0–100%
168	Blue 56	000 ⇔ 255	0–100%
169	Red 57	000 ⇔ 255	0–100%
170	Green 57	000 ⇔ 255	0–100%
171	Blue 57	000 ⇔ 255	0–100%
172	Red 58	000 ⇔ 255	0–100%
173	Green 58	000 ⇔ 255	0–100%
174	Blue 58	000 ⇔ 255	0–100%
175	Red 59	000 ⇔ 255	0–100%
176	Green 59	000 ⇔ 255	0–100%
177	Blue 59	000 ⇔ 255	0–100%
178	Red 60	000 ⇔ 255	0–100%
179	Green 60	000 ⇔ 255	0–100%

Channel	Function	Value	Percent/Setting
180	Blue 60	000 ⇄ 255	0-100%
181	Red 61	000 ⇄ 255	0-100%
182	Green 61	000 ⇄ 255	0-100%
183	Blue 61	000 ⇄ 255	0-100%
184	Red 62	000 ⇄ 255	0-100%
185	Green 62	000 ⇄ 255	0-100%
186	Blue 62	000 ⇄ 255	0-100%
187	Red 63	000 ⇄ 255	0-100%
188	Green 63	000 ⇄ 255	0-100%
189	Blue 63	000 ⇄ 255	0-100%
190	Red 64	000 ⇄ 255	0-100%
191	Green 64	000 ⇄ 255	0-100%
192	Blue 64	000 ⇄ 255	0-100%
193	Red 65	000 ⇄ 255	0-100%
194	Green 65	000 ⇄ 255	0-100%
195	Blue 65	000 ⇄ 255	0-100%
196	Red 66	000 ⇄ 255	0-100%
197	Green 66	000 ⇄ 255	0-100%
198	Blue 66	000 ⇄ 255	0-100%
199	Red 67	000 ⇄ 255	0-100%
200	Green 67	000 ⇄ 255	0-100%
201	Blue 67	000 ⇄ 255	0-100%
202	Red 68	000 ⇄ 255	0-100%
203	Green 68	000 ⇄ 255	0-100%
204	Blue 68	000 ⇄ 255	0-100%
205	Red 69	000 ⇄ 255	0-100%
206	Green 69	000 ⇄ 255	0-100%
207	Blue 69	000 ⇄ 255	0-100%
208	Red 70	000 ⇄ 255	0-100%
209	Green 70	000 ⇄ 255	0-100%
210	Blue 70	000 ⇄ 255	0-100%
211	Red 71	000 ⇄ 255	0-100%
212	Green 71	000 ⇄ 255	0-100%
213	Blue 71	000 ⇄ 255	0-100%
214	Red 72	000 ⇄ 255	0-100%
215	Green 72	000 ⇄ 255	0-100%
216	Blue 72	000 ⇄ 255	0-100%
217	Red 73	000 ⇄ 255	0-100%
218	Green 73	000 ⇄ 255	0-100%
219	Blue 73	000 ⇄ 255	0-100%
220	Red 74	000 ⇄ 255	0-100%
221	Green 74	000 ⇄ 255	0-100%
222	Blue 74	000 ⇄ 255	0-100%
223	Red 75	000 ⇄ 255	0-100%
224	Green 75	000 ⇄ 255	0-100%
225	Blue 75	000 ⇄ 255	0-100%

Operation

Channel	Function	Value	Percent/Setting
226	Red 76	000 ⇔ 255	0–100%
227	Green 76	000 ⇔ 255	0–100%
228	Blue 76	000 ⇔ 255	0–100%
229	Red 77	000 ⇔ 255	0–100%
230	Green 77	000 ⇔ 255	0–100%
231	Blue 77	000 ⇔ 255	0–100%
232	Red 78	000 ⇔ 255	0–100%
233	Green 78	000 ⇔ 255	0–100%
234	Blue 78	000 ⇔ 255	0–100%
235	Red 79	000 ⇔ 255	0–100%
236	Green 79	000 ⇔ 255	0–100%
237	Blue 79	000 ⇔ 255	0–100%
238	Red 80	000 ⇔ 255	0–100%
239	Green 80	000 ⇔ 255	0–100%
240	Blue 80	000 ⇔ 255	0–100%
241	Red 81	000 ⇔ 255	0–100%
242	Green 81	000 ⇔ 255	0–100%
243	Blue 81	000 ⇔ 255	0–100%
244	Red 82	000 ⇔ 255	0–100%
245	Green 82	000 ⇔ 255	0–100%
246	Blue 82	000 ⇔ 255	0–100%
247	Red 83	000 ⇔ 255	0–100%
248	Green 83	000 ⇔ 255	0–100%
249	Blue 83	000 ⇔ 255	0–100%
250	Red 84	000 ⇔ 255	0–100%
251	Green 84	000 ⇔ 255	0–100%
252	Blue 84	000 ⇔ 255	0–100%
253	Red 85	000 ⇔ 255	0–100%
254	Green 85	000 ⇔ 255	0–100%
255	Blue 85	000 ⇔ 255	0–100%
256	Red 86	000 ⇔ 255	0–100%
257	Green 86	000 ⇔ 255	0–100%
258	Blue 86	000 ⇔ 255	0–100%
259	Red 87	000 ⇔ 255	0–100%
260	Green 87	000 ⇔ 255	0–100%
261	Blue 87	000 ⇔ 255	0–100%
262	Red 88	000 ⇔ 255	0–100%
263	Green 88	000 ⇔ 255	0–100%
264	Blue 88	000 ⇔ 255	0–100%
265	Red 89	000 ⇔ 255	0–100%
266	Green 89	000 ⇔ 255	0–100%
267	Blue 89	000 ⇔ 255	0–100%
268	Red 90	000 ⇔ 255	0–100%
269	Green 90	000 ⇔ 255	0–100%
270	Blue 90	000 ⇔ 255	0–100%
271	Red 91	000 ⇔ 255	0–100%

Channel	Function	Value	Percent/Setting
272	Green 91	000 ⇔ 255	0–100%
273	Blue 91	000 ⇔ 255	0–100%
274	Red 92	000 ⇔ 255	0–100%
275	Green 92	000 ⇔ 255	0–100%
276	Blue 92	000 ⇔ 255	0–100%
277	Red 93	000 ⇔ 255	0–100%
278	Green 93	000 ⇔ 255	0–100%
279	Blue 93	000 ⇔ 255	0–100%
280	Red 94	000 ⇔ 255	0–100%
281	Green 94	000 ⇔ 255	0–100%
282	Blue 94	000 ⇔ 255	0–100%
283	Red 95	000 ⇔ 255	0–100%
284	Green 95	000 ⇔ 255	0–100%
285	Blue 95	000 ⇔ 255	0–100%
286	Red 96	000 ⇔ 255	0–100%
287	Green 96	000 ⇔ 255	0–100%
288	Blue 96	000 ⇔ 255	0–100%
289	Red 97	000 ⇔ 255	0–100%
290	Green 97	000 ⇔ 255	0–100%
291	Blue 97	000 ⇔ 255	0–100%
292	Red 98	000 ⇔ 255	0–100%
293	Green 98	000 ⇔ 255	0–100%
294	Blue 98	000 ⇔ 255	0–100%
295	Red 99	000 ⇔ 255	0–100%
296	Green 99	000 ⇔ 255	0–100%
297	Blue 99	000 ⇔ 255	0–100%
298	Red 100	000 ⇔ 255	0–100%
299	Green 100	000 ⇔ 255	0–100%
300	Blue 100	000 ⇔ 255	0–100%
301	Red 101	000 ⇔ 255	0–100%
302	Green 101	000 ⇔ 255	0–100%
303	Blue 101	000 ⇔ 255	0–100%
304	Red 102	000 ⇔ 255	0–100%
305	Green 102	000 ⇔ 255	0–100%
306	Blue 102	000 ⇔ 255	0–100%
307	Red 103	000 ⇔ 255	0–100%
308	Green 103	000 ⇔ 255	0–100%
309	Blue 103	000 ⇔ 255	0–100%
310	Red 104	000 ⇔ 255	0–100%
311	Green 104	000 ⇔ 255	0–100%
312	Blue 104	000 ⇔ 255	0–100%
313	Red 105	000 ⇔ 255	0–100%
314	Green 105	000 ⇔ 255	0–100%
315	Blue 105	000 ⇔ 255	0–100%
316	Red 106	000 ⇔ 255	0–100%
317	Green 106	000 ⇔ 255	0–100%

Operation

Channel	Function	Value	Percent/Setting
318	Blue 106	000 ⇔ 255	0–100%
319	Red 107	000 ⇔ 255	0–100%
320	Green 107	000 ⇔ 255	0–100%
321	Blue 107	000 ⇔ 255	0–100%
322	Red 108	000 ⇔ 255	0–100%
323	Green 108	000 ⇔ 255	0–100%
324	Blue 108	000 ⇔ 255	0–100%
325	Red 109	000 ⇔ 255	0–100%
326	Green 109	000 ⇔ 255	0–100%
327	Blue 109	000 ⇔ 255	0–100%
328	Red 110	000 ⇔ 255	0–100%
329	Green 110	000 ⇔ 255	0–100%
330	Blue 110	000 ⇔ 255	0–100%
331	Red 111	000 ⇔ 255	0–100%
332	Green 111	000 ⇔ 255	0–100%
333	Blue 111	000 ⇔ 255	0–100%
334	Red 112	000 ⇔ 255	0–100%
335	Green 112	000 ⇔ 255	0–100%
336	Blue 112	000 ⇔ 255	0–100%
337	Red 113	000 ⇔ 255	0–100%
338	Green 113	000 ⇔ 255	0–100%
339	Blue 113	000 ⇔ 255	0–100%
340	Red 114	000 ⇔ 255	0–100%
341	Green 114	000 ⇔ 255	0–100%
342	Blue 114	000 ⇔ 255	0–100%
343	Red 115	000 ⇔ 255	0–100%
344	Green 115	000 ⇔ 255	0–100%
345	Blue 115	000 ⇔ 255	0–100%
346	Red 116	000 ⇔ 255	0–100%
347	Green 116	000 ⇔ 255	0–100%
348	Blue 116	000 ⇔ 255	0–100%
349	Red 117	000 ⇔ 255	0–100%
350	Green 117	000 ⇔ 255	0–100%
351	Blue 117	000 ⇔ 255	0–100%
352	Red 118	000 ⇔ 255	0–100%
353	Green 118	000 ⇔ 255	0–100%
354	Blue 118	000 ⇔ 255	0–100%
355	Red 119	000 ⇔ 255	0–100%
356	Green 119	000 ⇔ 255	0–100%
357	Blue 119	000 ⇔ 255	0–100%
358	Red 120	000 ⇔ 255	0–100%
359	Green 120	000 ⇔ 255	0–100%
360	Blue 120	000 ⇔ 255	0–100%
361	Red 121	000 ⇔ 255	0–100%
362	Green 121	000 ⇔ 255	0–100%
363	Blue 121	000 ⇔ 255	0–100%

Channel	Function	Value	Percent/Setting
364	Red 122	000 ⇔ 255	0–100%
365	Green 122	000 ⇔ 255	0–100%
366	Blue 122	000 ⇔ 255	0–100%
367	Red 123	000 ⇔ 255	0–100%
368	Green 123	000 ⇔ 255	0–100%
369	Blue 123	000 ⇔ 255	0–100%
370	Red 124	000 ⇔ 255	0–100%
371	Green 124	000 ⇔ 255	0–100%
372	Blue 124	000 ⇔ 255	0–100%
373	Red 125	000 ⇔ 255	0–100%
374	Green 125	000 ⇔ 255	0–100%
375	Blue 125	000 ⇔ 255	0–100%
376	Red 126	000 ⇔ 255	0–100%
377	Green 126	000 ⇔ 255	0–100%
378	Blue 126	000 ⇔ 255	0–100%
379	Red 127	000 ⇔ 255	0–100%
380	Green 127	000 ⇔ 255	0–100%
381	Blue 127	000 ⇔ 255	0–100%
382	Red 128	000 ⇔ 255	0–100%
383	Green 128	000 ⇔ 255	0–100%
384	Blue 128	000 ⇔ 255	0–100%
385	Red 129	000 ⇔ 255	0–100%
386	Green 129	000 ⇔ 255	0–100%
387	Blue 129	000 ⇔ 255	0–100%
388	Red 130	000 ⇔ 255	0–100%
389	Green 130	000 ⇔ 255	0–100%
390	Blue 130	000 ⇔ 255	0–100%
391	Red 131	000 ⇔ 255	0–100%
392	Green 131	000 ⇔ 255	0–100%
393	Blue 131	000 ⇔ 255	0–100%
394	Red 132	000 ⇔ 255	0–100%
395	Green 132	000 ⇔ 255	0–100%
396	Blue 132	000 ⇔ 255	0–100%
397	Red 133	000 ⇔ 255	0–100%
398	Green 133	000 ⇔ 255	0–100%
399	Blue 133	000 ⇔ 255	0–100%
400	Red 134	000 ⇔ 255	0–100%
401	Green 134	000 ⇔ 255	0–100%
402	Blue 134	000 ⇔ 255	0–100%
403	Red 135	000 ⇔ 255	0–100%
404	Green 135	000 ⇔ 255	0–100%
405	Blue 135	000 ⇔ 255	0–100%
406	Red 136	000 ⇔ 255	0–100%
407	Green 136	000 ⇔ 255	0–100%
408	Blue 136	000 ⇔ 255	0–100%
409	Red 137	000 ⇔ 255	0–100%

Operation

Channel	Function	Value	Percent/Setting
410	Green 137	000 ⇔ 255	0–100%
411	Blue 137	000 ⇔ 255	0–100%
412	Red 138	000 ⇔ 255	0–100%
413	Green 138	000 ⇔ 255	0–100%
414	Blue 138	000 ⇔ 255	0–100%
415	Red 139	000 ⇔ 255	0–100%
416	Green 139	000 ⇔ 255	0–100%
417	Blue 139	000 ⇔ 255	0–100%
418	Red 140	000 ⇔ 255	0–100%
419	Green 140	000 ⇔ 255	0–100%
420	Blue 140	000 ⇔ 255	0–100%
421	Red 141	000 ⇔ 255	0–100%
422	Green 141	000 ⇔ 255	0–100%
423	Blue 141	000 ⇔ 255	0–100%
424	Red 142	000 ⇔ 255	0–100%
425	Green 142	000 ⇔ 255	0–100%
426	Blue 142	000 ⇔ 255	0–100%
427	Red 143	000 ⇔ 255	0–100%
428	Green 143	000 ⇔ 255	0–100%
429	Blue 143	000 ⇔ 255	0–100%
430	Red 144	000 ⇔ 255	0–100%
431	Green 144	000 ⇔ 255	0–100%
432	Blue 144	000 ⇔ 255	0–100%
433	Red 145	000 ⇔ 255	0–100%
434	Green 145	000 ⇔ 255	0–100%
435	Blue 145	000 ⇔ 255	0–100%
436	Red 146	000 ⇔ 255	0–100%
437	Green 146	000 ⇔ 255	0–100%
438	Blue 146	000 ⇔ 255	0–100%
439	Red 147	000 ⇔ 255	0–100%
440	Green 147	000 ⇔ 255	0–100%
441	Blue 147	000 ⇔ 255	0–100%
442	Red 148	000 ⇔ 255	0–100%
443	Green 148	000 ⇔ 255	0–100%
444	Blue 148	000 ⇔ 255	0–100%
445	Red 149	000 ⇔ 255	0–100%
446	Green 149	000 ⇔ 255	0–100%
447	Blue 149	000 ⇔ 255	0–100%
448	Red 150	000 ⇔ 255	0–100%
449	Green 150	000 ⇔ 255	0–100%
450	Blue 150	000 ⇔ 255	0–100%
451	Red 151	000 ⇔ 255	0–100%
452	Green 151	000 ⇔ 255	0–100%
453	Blue 151	000 ⇔ 255	0–100%
454	Red 152	000 ⇔ 255	0–100%
455	Green 152	000 ⇔ 255	0–100%

Channel	Function	Value	Percent/Setting
456	Blue 152	000 ⇔ 255	0–100%
457	Red 153	000 ⇔ 255	0–100%
458	Green 153	000 ⇔ 255	0–100%
459	Blue 153	000 ⇔ 255	0–100%
460	Red 154	000 ⇔ 255	0–100%
461	Green 154	000 ⇔ 255	0–100%
462	Blue 154	000 ⇔ 255	0–100%
463	Red 155	000 ⇔ 255	0–100%
464	Green 155	000 ⇔ 255	0–100%
465	Blue 155	000 ⇔ 255	0–100%
466	Red 156	000 ⇔ 255	0–100%
467	Green 156	000 ⇔ 255	0–100%
468	Blue 156	000 ⇔ 255	0–100%
469	Red 157	000 ⇔ 255	0–100%
470	Green 157	000 ⇔ 255	0–100%
471	Blue 157	000 ⇔ 255	0–100%
472	Red 158	000 ⇔ 255	0–100%
473	Green 158	000 ⇔ 255	0–100%
474	Blue 158	000 ⇔ 255	0–100%
475	Red 159	000 ⇔ 255	0–100%
476	Green 159	000 ⇔ 255	0–100%
477	Blue 159	000 ⇔ 255	0–100%
478	Red 160	000 ⇔ 255	0–100%
479	Green 160	000 ⇔ 255	0–100%
480	Blue 160	000 ⇔ 255	0–100%
481	Red 161	000 ⇔ 255	0–100%
482	Green 161	000 ⇔ 255	0–100%
483	Blue 161	000 ⇔ 255	0–100%
484	Red 162	000 ⇔ 255	0–100%
485	Green 162	000 ⇔ 255	0–100%
486	Blue 162	000 ⇔ 255	0–100%
487	Red 163	000 ⇔ 255	0–100%
488	Green 163	000 ⇔ 255	0–100%
489	Blue 163	000 ⇔ 255	0–100%
490	Red 164	000 ⇔ 255	0–100%
491	Green 164	000 ⇔ 255	0–100%
492	Blue 164	000 ⇔ 255	0–100%
493	Red 165	000 ⇔ 255	0–100%
494	Green 165	000 ⇔ 255	0–100%
495	Blue 165	000 ⇔ 255	0–100%
496	Red 166	000 ⇔ 255	0–100%
497	Green 166	000 ⇔ 255	0–100%
498	Blue 166	000 ⇔ 255	0–100%
499	Red 167	000 ⇔ 255	0–100%
500	Green 167	000 ⇔ 255	0–100%
501	Blue 167	000 ⇔ 255	0–100%

Operation

Channel	Function	Value	Percent/Setting
502	Red 168	000 ⇔ 255	0–100%
503	Green 168	000 ⇔ 255	0–100%
504	Blue 168	000 ⇔ 255	0–100%
505	Red 169	000 ⇔ 255	0–100%
506	Green 169	000 ⇔ 255	0–100%
507	Blue 169	000 ⇔ 255	0–100%
508	Red 170	000 ⇔ 255	0–100%
509	Green 170	000 ⇔ 255	0–100%
510	Blue 170	000 ⇔ 255	0–100%
511	Red 171	000 ⇔ 255	0–100% (not accessible by DMX)
512	Green 171	000 ⇔ 255	0–100% (not accessible by DMX)



- Only 170 LEDs are accessible by DMX in Pixel mode.
- An ethernet protocol (**Art-Net™** or **sACN**) with multiple universes must be used to access all connected LEDs in Pixel mode.

17 Channel/34 Channel

Channel	Function	Value	Percent/Setting
1	Master Dimmer	000 ⇔ 255	0–100%
2	Foreground Red	000 ⇔ 255	0–100%
3	Foreground Green	000 ⇔ 255	0–100%
4	Foreground Blue	000 ⇔ 255	0–100%
5	Foreground Strobe	000 ⇔ 010	No function
		011 ⇔ 050	Strobe, slow to fast
		051 ⇔ 090	Random strobe, slow to fast
		091 ⇔ 140	Synchronized random strobe, slow to fast
		141 ⇔ 255	Reserved for future use
6	Background Red	000 ⇔ 255	0–100%
7	Background Green	000 ⇔ 255	0–100%
8	Background Blue	000 ⇔ 255	0–100%
9	Background Strobe	000 ⇔ 010	No function
		011 ⇔ 050	Strobe, slow to fast
		051 ⇔ 090	Random strobe, slow to fast
		091 ⇔ 140	Synchronized random strobe, slow to fast
		141 ⇔ 255	Reserved for future use
10	Foreground Program	000	No function
		001 ⇔ 020	Automatic program 0
		021 ⇔ 040	Automatic program 1
		041 ⇔ 060	Automatic program 2
		061 ⇔ 065	Automatic program 3
		066 ⇔ 080	Multi-color program
		081 ⇔ 100	Color fade program 1
		101 ⇔ 120	Color fade program 2
		121 ⇔ 140	Color fade program 3
		141 ⇔ 255	Reserved for future use
11	Foreground Speed	000 ⇔ 255	Foreground program speed, slow to fast
12	Foreground Offset	000 ⇔ 255	Foreground program offset delay, short to long

Channel	Function	Value	Percent/Setting
13	Background Program	000	No function
		001 ⇄ 020	Automatic program 0
		021 ⇄ 040	Automatic program 1
		041 ⇄ 060	Automatic program 2
		061 ⇄ 065	Automatic program 3
		066 ⇄ 255	Reserved for future use
14	Background Speed	000 ⇄ 255	Background program speed, slow to fast
15	Background Offset	000 ⇄ 255	Background program offset delay, short to long
16	No Function	000 ⇄ 255	No function
17	Test Mode	000 ⇄ 020	No function
		021 ⇄ 030	Test 1 (white)
		031 ⇄ 040	Test 2 (color fade)
		041 ⇄ 050	Test 3 (color scroll)
		051 ⇄ 060	Test 4 (red)
		061 ⇄ 070	Test 5 (green)
		071 ⇄ 080	Test 6 (blue)
		081 ⇄ 255	Reserved for future use



- 34 Channel mode is identical to 17 Channel mode.
- In 17 Channel mode, Output 2 is addressed the same as Output 1.
- In 34 Channel mode, Output 2 can be addressed separately from Output 1.
- The automatic programs available by DMX are scaled according to the number value set in the [LED Quantity](#) settings for each port.

Configuration (Standalone)

Use standalone configuration to operate the product without a DMX controller.



Never connect a product that is operating in any standalone mode to a DMX string connected to a DMX controller. Products in standalone mode may transmit DMX signals that could interfere with the DMX signals from the controller.

Standalone Menu

To access the Standalone Mode menu, follow the instructions below.

1. Press **<MENU>** repeatedly until **6.Standalone Mode** is selected.
2. Press **<ENTER>**.

Custom Color

To mix a custom static color on the ÉPIX Flex Drive, do the following:

1. Navigate to the [Standalone Menu](#).
2. Use **<UP>** or **<DOWN>** to select **1.User Color**.
3. Press **<ENTER>**.
4. Use **<UP>** or **<DOWN>** to select which color to edit, from **1.Red:**, **2.Green:**, or **3.Blue:**.
5. Press **<ENTER>**.
6. Use **<UP>** or **<DOWN>** to increase or decrease the selected color value, from **000–255**.
7. Press **<ENTER>**.
8. Repeat steps 4-7 until the connected products output as desired.

Preset Color

To select a preset static color on the ÉPIX Flex Drive, follow the instructions below.

1. Navigate to the [Standalone Menu](#).
2. Use **<UP>** or **<DOWN>** to select **2.Preset Color**.
3. Press **<ENTER>**.
4. Use **<UP>** or **<DOWN>** to select a color, from **1.Red**, **2.Green**, **3.Blue**, **4.Cyan**, **5.Magenta**, **6.Yellow**, or **7.White**.
5. Press **<ENTER>**.

Operation

Automatic Mode

To run an automatic program on the ÉPIX Flex Drive, do the following:

1. Navigate to the [Standalone Menu](#).
2. Use <UP> or <DOWN> to select **3.Automatic**.
3. Press <ENTER>.
4. Use <UP> or <DOWN> to select from **1.Program:** (to select a program), or **2.Speed** (to set the speed).
5. Press <ENTER>.
6. If **1.Program:**
Use <UP> or <DOWN> to select a program, from **000–042**.
If **2.Speed:**
Use <UP> or <DOWN> to increase or decrease the speed, from **000–100**.
7. Press <ENTER>.



The programs available in this option are scaled according to the number value set in the [LED Quantity](#) settings for each port.

Configuration (Settings)

Display Timeout

To set whether the LCD backlight will stay on or time out after 30 seconds, follow the instructions below.

1. Press <MENU> repeatedly until **7.Set LCD Backlight** is selected.
2. Press <ENTER>.
3. Use <UP> or <DOWN> to select from **On** (stays on), or **30s** (turns off after 30 seconds of inactivity).
4. Press <ENTER>.

Display Orientation

To set the display orientation, do the following:

1. Press <MENU> repeatedly until **8.Set Display** is selected.
2. Press <ENTER>.
3. Use <UP> or <DOWN> to select from **Normal** (right-side up), or **Inverted** (upside-down).
4. Press <ENTER>.

Factory Reset

To reset the product to factory default settings, follow the instructions below.

1. Press <MENU> repeatedly until **9.Factory Reset** is selected.
2. Press <ENTER>.
3. Use <UP> or <DOWN> to select from **NO** (do not reset), or **YES** (reset).
4. Press <ENTER>.

System Information

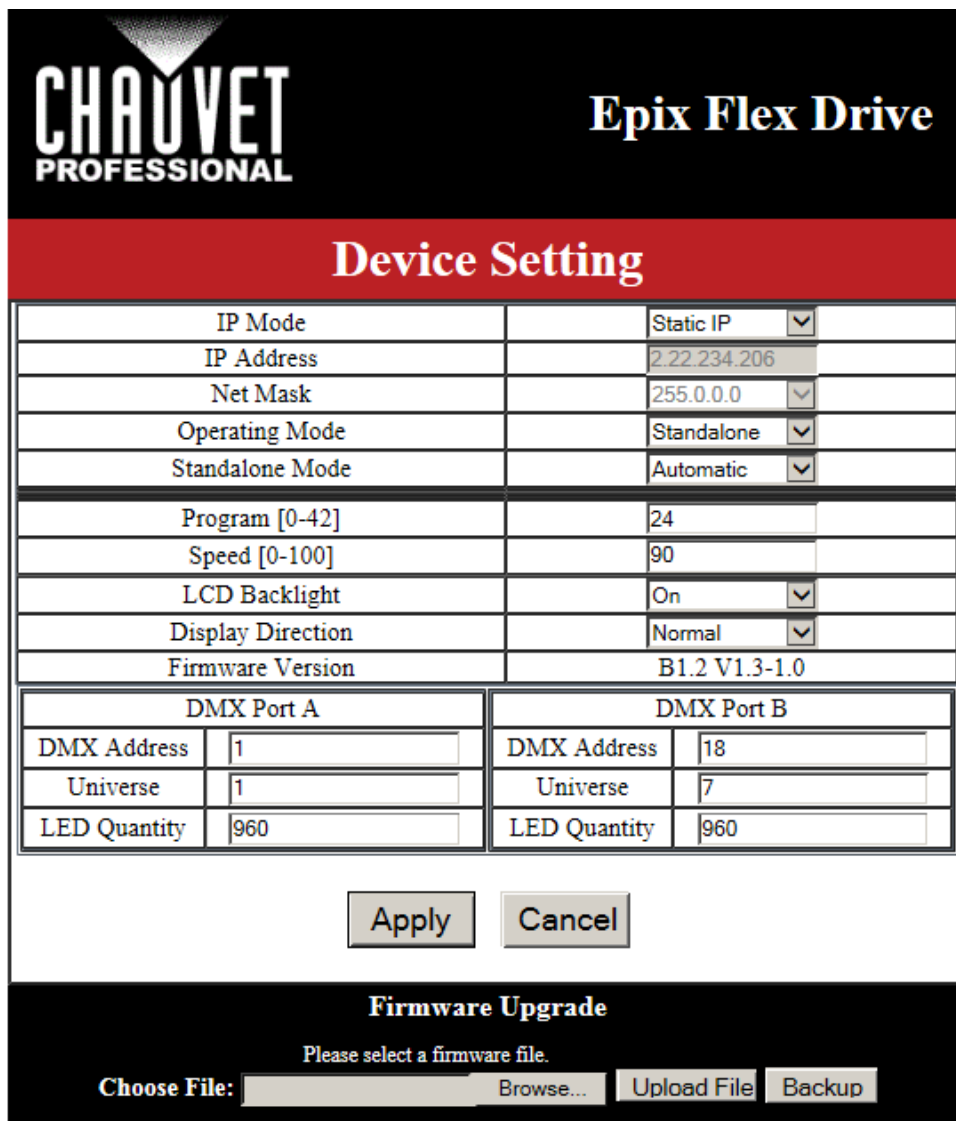
To view the fixture UID, or the current firmware version, do the following:

1. Press <MENU> repeatedly until **10.Fixture UID** or **11.Firmware Version** is selected.
2. Press <ENTER>.

Web Server

The ÉPIX Flex Drive Web Server can be accessed by any computer on the same network as the product. It allows network access to settings such as control setup and firmware updates.

1. Connect the product to power, and set the **Operating Mode** to **2.Art-Net** and the **IP Mode** to **Static**.
2. Connect the product to a Windows computer with a network cable.
3. On the computer, set the IP address of the new network to have the same first 3 digits as the IP address of the product (The IP address is displayed on the [Device Status Screen](#)).
4. Enter the IP address of the product into the URL bar of a web browser on the computer.



CHAUVET PROFESSIONAL		Epix Flex Drive	
Device Setting			
IP Mode		Static IP	▼
IP Address		2.22.234.206	
Net Mask		255.0.0.0	▼
Operating Mode		Standalone	▼
Standalone Mode		Automatic	▼
Program [0-42]		24	
Speed [0-100]		90	
LCD Backlight		On	▼
Display Direction		Normal	▼
Firmware Version		B1.2 V1.3-1.0	
DMX Port A		DMX Port B	
DMX Address	1	DMX Address	18
Universe	1	Universe	7
LED Quantity	960	LED Quantity	960
<input type="button" value="Apply"/> <input type="button" value="Cancel"/>			
Firmware Upgrade			
Please select a firmware file.			
Choose File:	<input type="text"/>	<input type="button" value="Browse..."/>	<input type="button" value="Upload File"/> <input type="button" value="Backup"/>

Web Server Operation

The Web Server of the ÉPIX Flex Drive allows the settings of **IP Mode**, custom **IP Address**, **Netmask**, **Operating Mode**, **Standalone Mode** (if applicable), **Program** and **Speed**, **Preset Color** or **User Color**, **LCD Backlight** timeout, and **Display Direction**, as well as the **DMX Address**, **Universe**, and **LED Quantity** for each port to be altered through the internet browser of a computer.

The Web Server also displays the current **Firmware Version**.

Firmware Update

The Web Server allows the product to be updated with the latest firmware. Go to the product page at <https://www.chauvetprofessional.com> to download firmware updates.

5. Maintenance

Product Maintenance

Dust build-up reduces light output performance and can cause overheating. This can lead to reduction of the light source's life and/or mechanical wear. To maintain optimum performance and minimize wear, clean your lighting products at least twice a month. However, be aware that usage and environmental conditions could be contributing factors to increase the cleaning frequency.

To clean the product, follow the instructions below:

1. Unplug the product from power.
2. Wait until the product is at room temperature.
3. Use a vacuum (or dry compressed air) and a soft brush to remove dust collected on the external surface/vents.
4. Clean all transparent surfaces with a mild soap solution, ammonia-free glass cleaner, or isopropyl alcohol.
5. Apply the solution directly to a soft, lint free cotton cloth or a lens cleaning tissue.
6. Softly drag any dirt or grime to the outside of the transparent surface.
7. Gently polish the transparent surfaces until they are free of haze and lint.



Always dry the transparent surfaces carefully after cleaning them.

6. Technical Specifications

Dimensions and Weight

Length	Width	Height	Weight
19 in (483 mm)	17.52 in (445 mm)	1.7 in (44 mm)	6 lb (2.7 kg)

Note: Dimensions in inches are rounded.

Power

Power Supply Type	Range		Voltage Selection
Switching (internal)	100 to 240 VAC, 50/60 Hz		Auto-ranging
Parameter	120 V, 60 Hz	208 V, 60 Hz	230 V, 50 Hz
Consumption	326 W	314W	312 W
Operating Current	2.75 A	1.64 A	1.50 A
Fuse	T 5 A, 250 V	T 5 A, 250 V	T 5 A, 250 V
Breaker	10 A	10 A	10 A

ÉPIX Product Output

Output Connector	Output Voltage	Maximum Supported LEDs (per Port)	Maximum Supported LEDs (Total)
2 3-pin IP65 Ports	24 VDC	960	1920
Maximum Load Without ÉPIX Flex Boost		Maximum Load With ÉPIX Flex Boost	
2 ÉPIX Flex 20 per port		4 ÉPIX Flex 20 per port	

Maximum Cable Lengths

Parameter	Maximum Length of IP Flex Extension
From ÉPIX Flex Drive to first ÉPIX Flex 20	75 ft (22.9 m)
From ÉPIX Flex 20 to ÉPIX Flex 20	10 ft (3 m)
From ÉPIX Flex 20 to ÉPIX Flex Boost	0 ft/m (connect directly)
From ÉPIX Flex Boost to ÉPIX Flex 20	30 ft (9.1 m)

Thermal

Maximum External Temperature	Cooling System
113 °F (45 °C)	Convection

Control

I/O Connector	Control Protocol	Channel Range
2 5-pin XLR and 2 Ethernet RJ45	Art-Net™, sACN, DMX	17, 34 or PIXEL

Ordering

Product Name	Item Name	Item Code	UPC Number
ÉPIX Flex Drive	EPIXFLEXDRIVE	99091443	781462217914



Complies with
UL 8750
CSA C22.2 No. 250.13



RoHS



Returns

Returns

Send the product prepaid, in the original box, and with the original packing and accessories. Chauvet will not issue call tags.

Call Chauvet and request a Return Merchandise Authorization (RMA) number before shipping the product. Be prepared to provide the model number, serial number, and a brief description of the cause(s) for the return.

To submit a service request online, go to www.chauvetprofessional.com/service-request.

Clearly label the package with an RMA number. Chauvet will refuse any product returned without an RMA number.



Write the RMA number on a properly affixed label. DO NOT write the RMA number directly on the box.

Before sending the product, clearly write the following information on a piece of paper and place it inside the box:

- Your name
- Your address
- Your phone number
- RMA number
- A brief description of the problem

Be sure to pack the product properly. Any shipping damage resulting from inadequate packaging will be your responsibility. FedEx packing or double-boxing are recommended.



Chauvet reserves the right to use its own discretion to repair or replace returned product(s).

Contact Us

General Information	Technical Support
Chauvet World Headquarters	
Address: 5200 NW 108th Ave. Sunrise, FL 33351 Voice: (954) 577-4455 Fax: (954) 929-5560 Toll Free: (800) 762-1084	Voice: (844) 393-7575 Fax: (954) 756-8015 Email: chauvetcs@chauvetlighting.com Website: www.chauvetprofessional.com
Chauvet Europe Ltd	
Address: Unit 1C Brookhill Road Industrial Estate Pinxton, Nottingham, UK NG16 6NT Voice: +44 (0) 1773 511115 Fax: +44 (0) 1773 511110	Email: UKtech@chauvetlighting.eu Website: www.chauvetprofessional.eu
Chauvet Europe BVBA	
Address: Stokstraat 18 9770 Kruishoutem Belgium Voice: +32 9 388 93 97	Email: BNLtech@chauvetlighting.eu Website: www.chauvetprofessional.eu
Chauvet France	
Address: 3, Rue Ampère 91380 Chilly-Mazarin France Voice: +33 1 78 85 33 59	Email: FRtech@chauvetlighting.fr Website: www.chauvetprofessional.eu
Chauvet Germany	
Address: Bruno-Bürgerl-Str. 11 28759 Bremen Germany Voice: +49 421 62 60 20	Email: DEtech@chauvetlighting.de Website: www.chauvetprofessional.eu
Chauvet Mexico	
Address: Av. de las Partidas 34 - 3B (Entrance by Calle 2) Zona Industrial Lerma Lerma, Edo. de México, CP 52000 Voice: +52 (728) 690-2010	Email: servicio@chauvet.com.mx Website: www.chauvetprofessional.mx

Visit the applicable website above to verify our contact information and instructions to request support. Outside the U.S., U.K., Ireland, Benelux, France, Germany, or Mexico, contact the dealer of record.