

t-Pod Air Pro Beamforming Installation Recommendations Manual



1 Product Introduction

As a new generation of non-inductive sound reinforcement equipment, **t-Pod Air Pro Beamforming** has a built-in microphone array, omnidirectional sound pickup, powerful intelligent audio algorithm, adaptive fast convergence, support for howling suppression, reverberation suppression, intelligent noise reduction and automatic gain control, and realize voice at the same time Enhanced, easy listening can also be achieved in noisy environments. Truly use a smarter way to liberate the teacher's hands, protect the teacher's throat, and provide a brand-new teaching experience.

FEATURES

2.1. Non-sense Amplification: liberating the teacher's hands, contact-free amplification, easy to prevent epidemics and maintain a healthy and clean teaching environment.

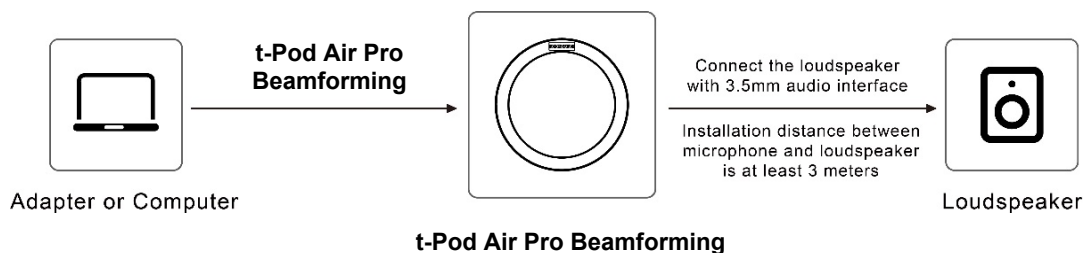
2.2. Microphone Array: Teachers can move freely in a larger area of the classroom without speaking loudly. Students in the back row can still hear clearly without missing any knowledge points.

2.3. Powerful Intelligent Audio Algorithm: Support howling suppression, reverberation suppression, intelligent noise reduction and automatic gain control, you can easily listen in noisy environment.

2.4. Ultra-strong Audio System Integration: Built-in powerful audio processing unit, ultra-low signal processing delay, no need for additional cabinets to place rack-mounted audio processors, easy to quickly and low-cost installation and deployment.

2.5. Simple Installation and Maintenance: universal interface, plug and play, no need for professional debugging, adaptive environment. Solve the problems of the issuance, recycling and charging of wireless microphones, small bees and other equipment, and reduce maintenance costs.

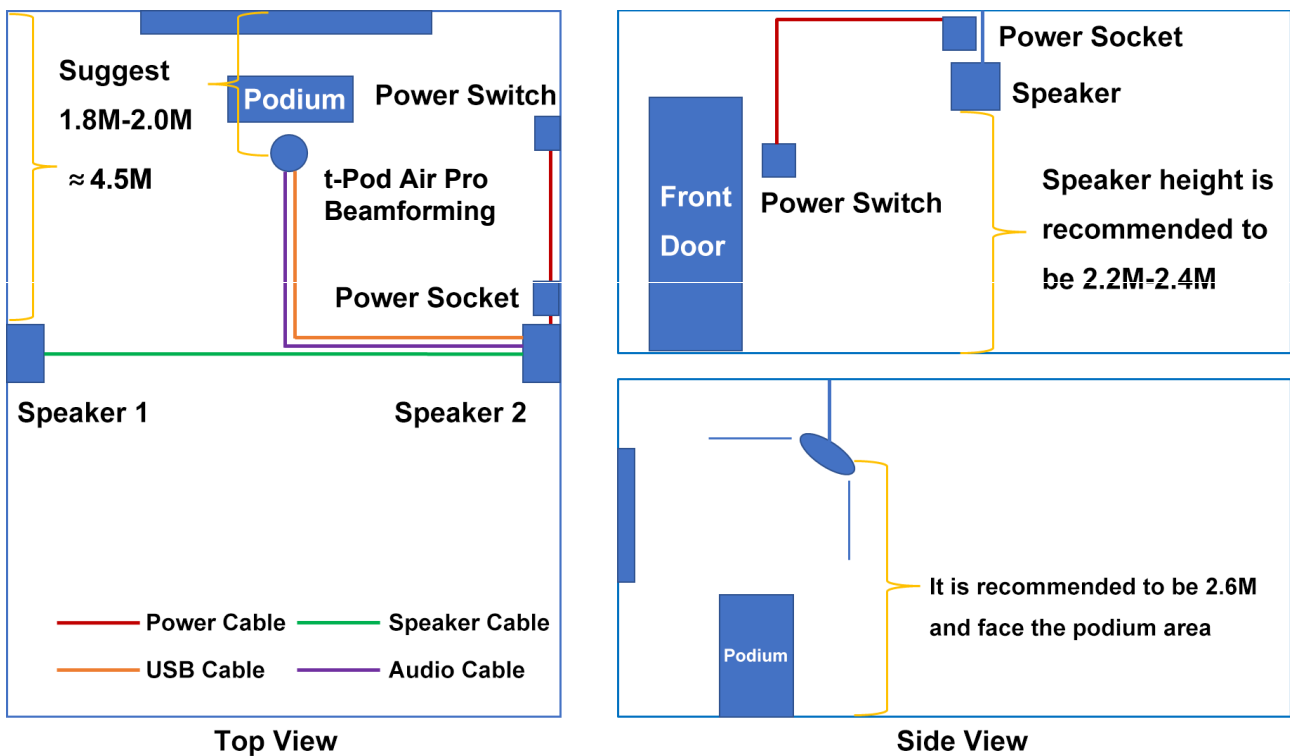
3 Product Connection



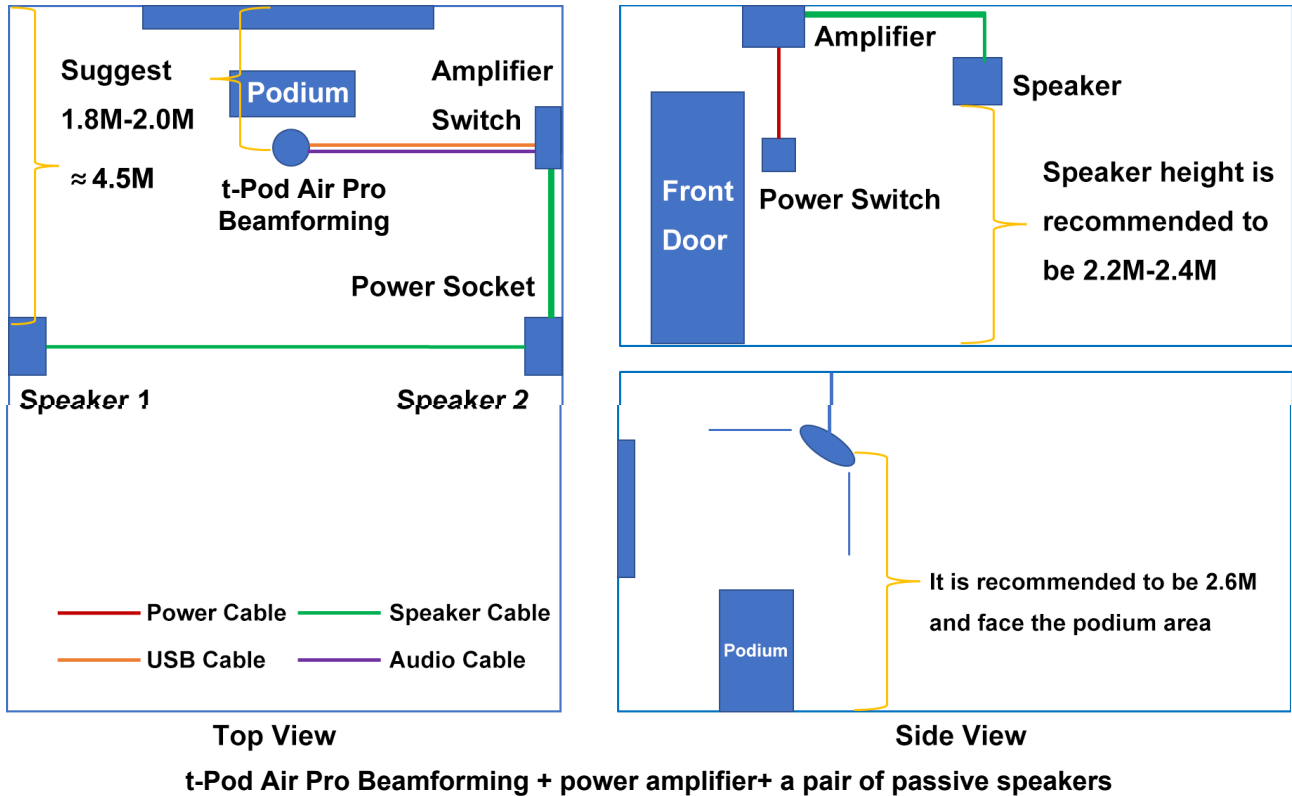
Note: The USB port is used as the power supply port of the t-Pod Air Pro Beamforming, which can be connected to a socket or adapter with a USB port, and the power supply voltage is DC 5V. The audio cable is connected to the SPK-OUT audio output port of the t-Pod Air Pro Beamforming, and the other end of the audio cable can be connected to an active speaker or an amplifier + passive speaker.

4 Product Installation

4.1 For small and medium classroom scenes, a pair of speakers can be used. As shown in the figure below, active speakers or power amplifier + passive speakers can be used. Low-latency active speakers are preferred, and the speaker experience will be better.



t-Pod Air Pro Beamforming + pair of active speakers



4.2 Suggestions for installation in small and medium classrooms:

4.2.1 t-Pod Air Pro Beamforming Microphone Installation:

- 1) **Installation Height:** The recommended height from the ground is about 2.6M;
- 2) **Installation Method:** boom hoisting;
- 3) **Installation Position:** horizontally centered, 1.8M-2.0M away from the blackboard wall, with the microphone panel facing the podium area, focusing on picking up the teacher's lecture in the podium area.

4.2.2 Speaker Installation:

- 1) **Installation Height:** the recommended height from the ground is 2.2M-2.4M
- 2) **Installation Method:** bracket wall mounting
- 3) **Installation Position:** The speakers are recommended to be installed in the middle of the left and right sides of the classroom, with a straight line distance of more than 3 meters from the microphone. Avoid obstructions in the middle to avoid affecting the microphone sound field learning.

4.2.3 Power Amplifier Installation

The power amplifier can be installed above the side wall door first. On the one hand, it is convenient for the microphone lead to the power amplifier, and at the same time, it is convenient for the switch wiring. If the on-site power amplifier needs to be placed in a cabinet, etc., the wiring can be adjusted according to the on-site situation.

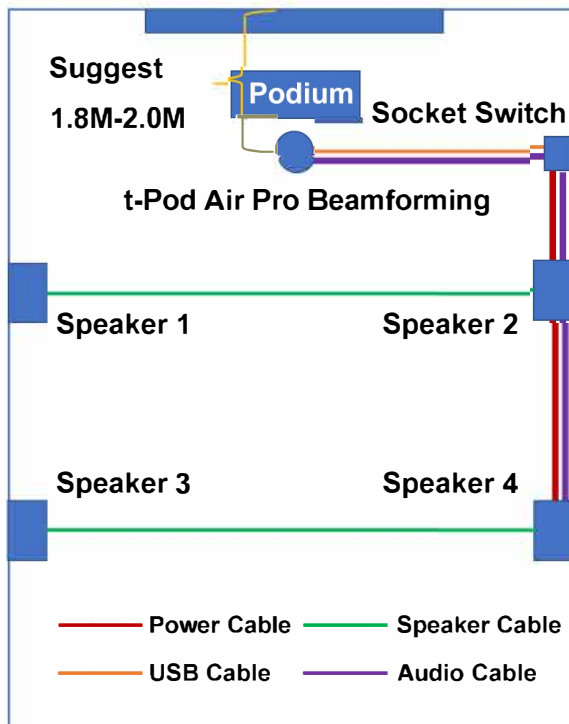
4.2.4 Socket Installation

- 1) When using active speakers, you can choose a socket panel with a USB socket, which can be installed next to the speaker for easy access to electricity and hiding.
- 2) If you use a power amplifier, you can directly use the USB port of the power amplifier to power the microphone without a USB socket.

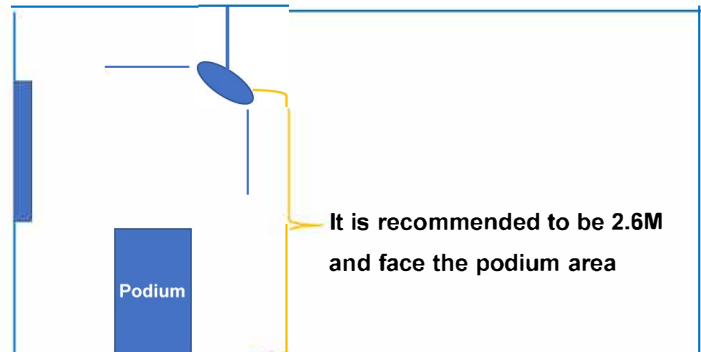
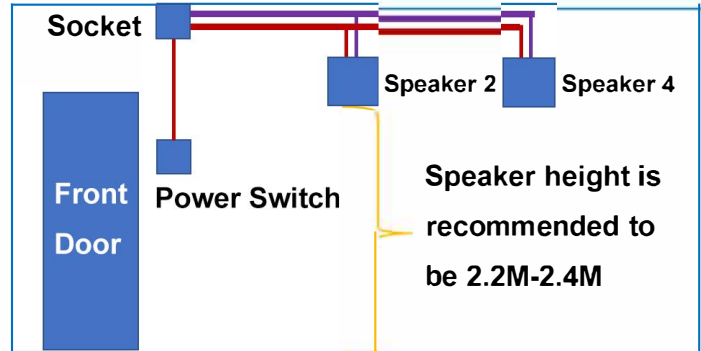
4.2.5 Switch Installation

You can choose a single switch panel, install it on the side of the door or on the side of the blackboard, and affix a label, which is easy for the teacher to open and close.

4.3 If you need to use two pairs of speakers in a large classroom scene, you can refer to the following methods, which are also divided into two types: active speakers or power amplifier + passive speakers. The speakers and power amplifiers should be selected with low delay as much as possible, and the speaker experience will be better.

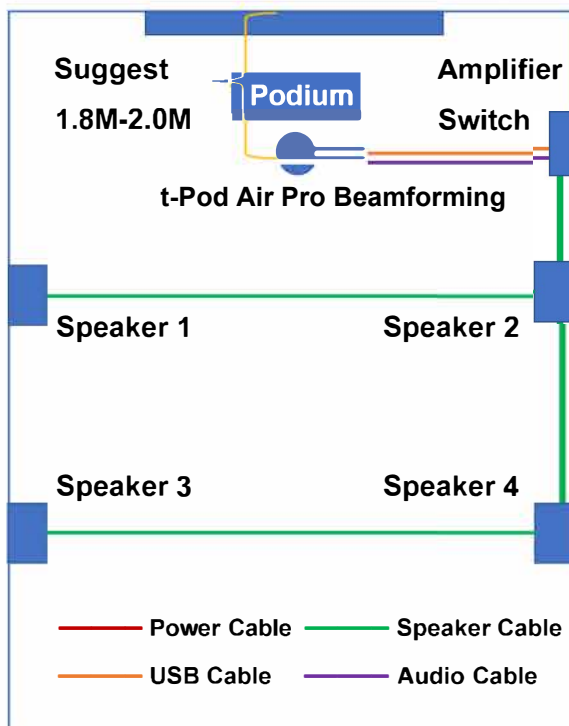


Top View

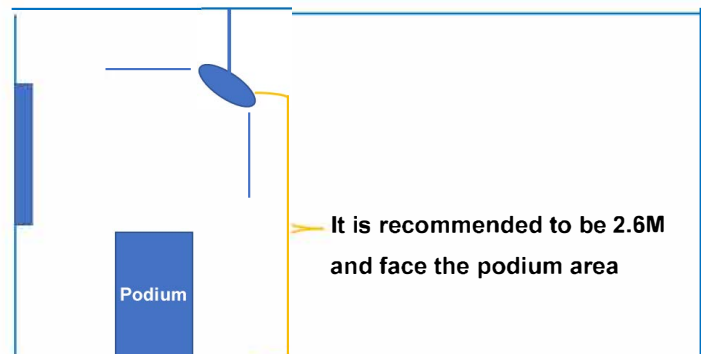
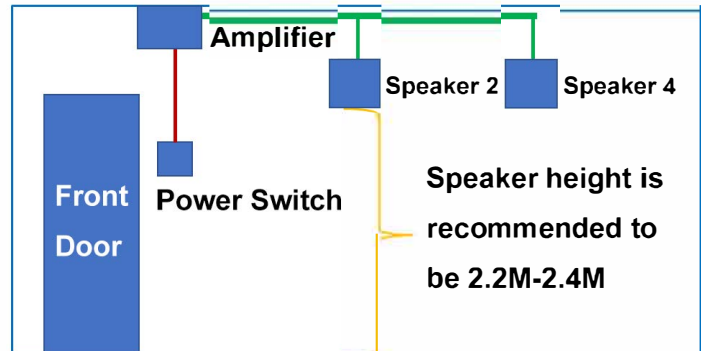


Side View

t - Pod Air Pro Beamforming microphone + two pairs of active speakers



TopView



SideView

t-Pod Air Pro Beamforming microphone + power amplifier + two pairs of passive speakers

4.4 Recommendations for Installation in Large Classroom

4.4.1 t - Pod Air Pro Beamforming Microphone Installation

- 1) **Installation Height:** The recommended height from the ground is about 2.6M.
- 2) **Installation Method:** boom hoisting
- 3) **Installation Position:** horizontally centered, 1.8M-2.0M away from the blackboard wall, with the microphone panel facing the podium area, focusing on picking up the teacher's lecture in the podium area.

4.4.2 Speaker Installation

- 1) **Installation Height:** the recommended height from the ground is 2.2M-2.4M
- 2) **Installation Method:** bracket wall mounting
- 3) **Installation Position:** The speakers are recommended to be installed on the left and right sides of the classroom, 1/3 and 2/3 respectively. The nearest speaker is more than 3 meters away from the microphone in a straight line. Avoid blocking in the middle to avoid affecting the microphone sound field learning, and face the oblique rear area. Emphasis is on the complement of students in the rear area.

Note: When using two pairs of active speakers, the audio signal can be connected to the two output ports of the microphone SPK-OUT and AEC-OUT respectively.

4.4.3 Power Amplifier Installation

The power amplifier can be installed above the side wall door first. On the one hand, it is convenient for the microphone lead to the power amplifier, and at the same time, it is convenient for the switch wiring. If the on-site power amplifier needs to be placed in a cabinet, etc., the wiring can be adjusted according to the on-site situation.

4.4.4 Socket Installation

- 1) When using active speakers, you can choose a socket panel with a USB socket, which can be installed above the side door. On the one hand, it is convenient for the microphone lead to the amplifier, and at the same time, it is convenient for the switch wiring. Active speakers can extend the 220V end power cord to the socket.

2) If you use a power amplifier, you can directly use the USB port of the power amplifier to power the microphone without a USB socket.

4.4.5 Switch Installation

You can choose a single switch panel, install it on the side of the door or on the side of the blackboard, and affix a label, which is easy for the teacher to open and close.

5 Pay Attention to the Problem

1. **Howling problem occurs when starting:** The slight howling at the beginning is normal. When the device is just started, it needs to learn the on-site sound field environment, there will be a slight whistling phenomenon for a short time, and it will be automatically after a few seconds of learning, stop.
2. **Continuous howling problem:** First rule out whether the speaker is too close to the microphone, and whether the distance exceeds 3 meters. Then check whether the speaker volume is too loud, and try to lower the volume. The volume can be adjusted according to the on-site environment to meet the needs. The loudspeaker volume is too large, firstly, it will damage the students' hearing, and secondly, it is easy to produce howling.
3. **Low and unclear sound problem:** Check the power amplifier or speaker EQ adjustment, you can reduce the bass part of the speaker.
4. **No sound problem:** No sound problem can be checked according to the following steps:
 - Step 1:** Check whether the indicator light on the microphone panel is on. If it is not on, it means it has not started. Check whether the power supply cable is normal.
 - Step 2:** Confirm whether the speaker is powered on and the volume is turned on.
 - Step 3:** Check whether the audio output is connected to SPK-OUT. If it is connected correctly, unplug the 3.5mm audio cable from the microphone and connect it to the mobile phone to play sound, and check whether the cable is normal.
 - Step 4:** If there is no problem in the above steps, you can change the microphone and test again.