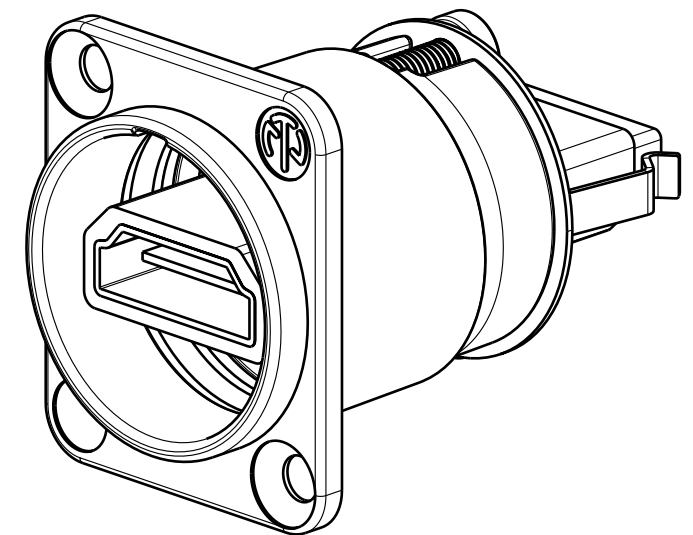
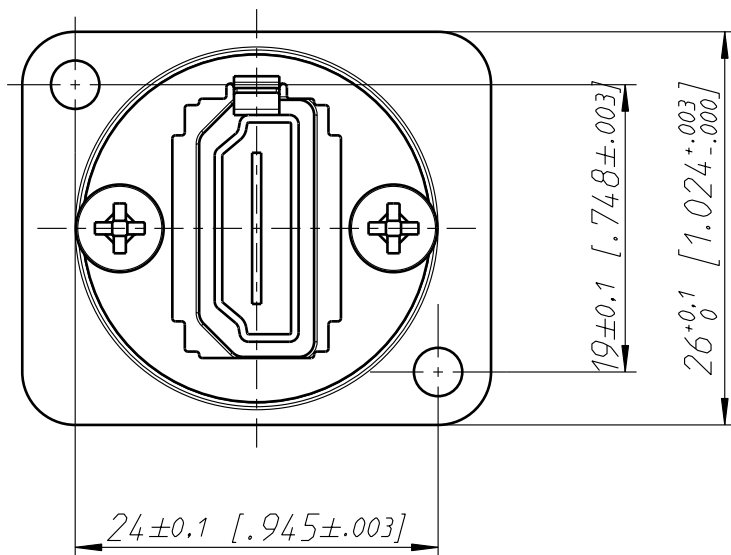
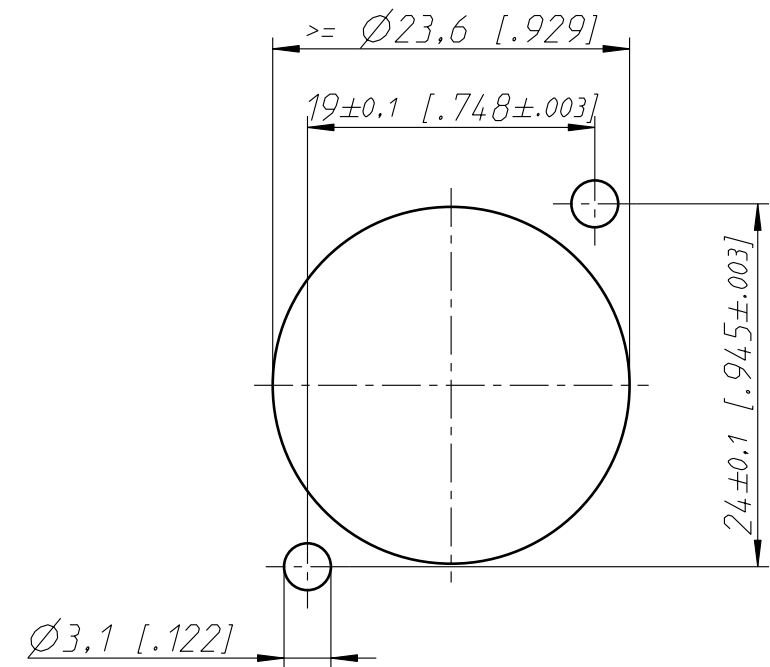


Frontplattenausschnitt (Rückseite)  
Panel cut out (rear side)



| Allgemeintoleranzen<br>ISO 2768-m                     | Werkstoff              | Massstab:   | Datum        | Name                 |
|---|------------------------|-------------|--------------|----------------------|
| Zeichnung urheberrechtlich<br>geschuetzt (DIN 34) (C) | -                      | 2:1<br>(A3) | 14.05.08     | Mijatovic            |
| Benennung   | NA1394-6-W<br>NAHDMI-W |             | Gezeichnet   |                      |
|   |                        |             | Freigegeben  |                      |
|   |                        |             | Geaendert    | -                    |
|   |                        |             | Aend.-Nr.    | Aend.-Index          |
|   |                        |             | -            | -                    |
|   |                        |             | Ersatz fuer: | Blatt 1<br>von 1 Bl. |
|   |                        |             | Zeichn. Nr.  |                      |
|   |                        |             |              | ST-NAHDMI-W          |



D-shape metal housing



HDMI 1.3a receptacle



Push Pull locking



HDMI 1.3a



D-shape metal housing



IEE 1394 receptacle

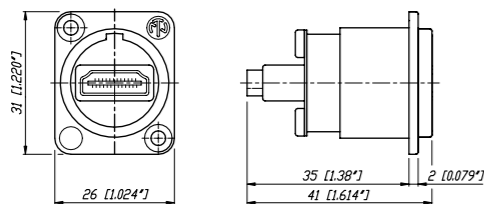
## HDMI Receptacles



NAHDMI-W

- Audio / Video interface to transmit any digital TV and PC Video format including high-definition video (HDTV).
- HDMI 1.3a feedthrough adapter with 19-pole HDMI receptacle at both ends
- Optional screen to chassis grounding
- Universally accepted standard D-shape housing

NAHDMI-W



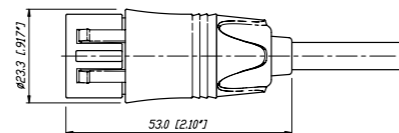
## HDMI Patch Cable



NKHDMI-\*

- HDMI 1.3a - data rate up to 3.5 GBit/s
- Dust and water resistant sealing in combination with NAHDMI-W\*
- Push Pull mating design provides secure locking system if mated with NAHDMI-W\*
- Shielded connection - high noise immunity and EMI protection
- Ready made patch cables (1m, 3m and 5m) with removeable rugged diecast cable carrier
- Mates with conventional HDMI receptacles if cable carrier is removed

NKHDMI-\*



Availability: commencing November 2009

## Firewire Receptacle



NA1394-6-W



- Ideal for audio networking and integration of digital equipment into audio systems
- Firewire feedthrough adapter with 6-pole IEEE 1394receptacle at both ends
- Optional screen to chassis grounding
- Universally accepted standard D-shape housing

NA1394-6-W

