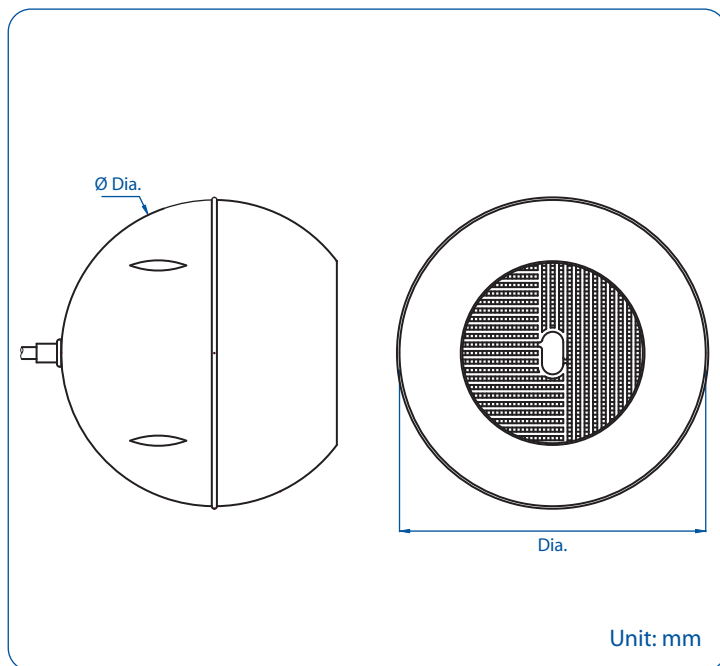




SPS Series Splash Waterproof Sphere Loudspeaker



- 100 Hours Life Tested
- EASE Data
- Pendant Cord Broken Tested
- Rustproof
- UL94V0
- CE Certified (EMC & LVD)
- IP Rated
- RoHS Compliance
- UV Protected
- Withstanding/Insulation Tested

- Designed for wide area sound coverage.
- Available as: 12 watt compact 5" driver unit option, 20 or 30 watt 6.5" driver unit option.
- High performance driver units for music & speech applications.
- Power cord broken tested up to 48.35 kgs (106 lbs).
- High impact ABS housing with UV protection.
- Ingress protected to IEC529 IP55.

Model No.	SPS-5121PW	SPS-6201PW	SPS-6301PW
Rated Power (rms)	12W	20W	30W
Impedance	833Ω, 1.11kΩ, 1.67kΩ, 3.33kΩ, 10kΩ	500Ω, 667Ω, 1kΩ, 2kΩ, 4kΩ	333Ω, 500Ω, 667Ω, 1kΩ, 2kΩ
Power Taps @ 100V	12W, 9W, 6W, 3W, 1W & 8Ω	20W, 15W, 10W, 5W, 2.5W & 8Ω	30W, 20W, 15W, 10W, 5W & 8Ω
Power Taps @ 70V	6W, 4.5W, 3W, 1.5W, 0.5W & 8Ω	10W, 7.5W, 5W, 2.5W, 1.25W & 8Ω	15W, 10W, 7.5W, 5W, 2.5W & 8Ω
SPL (1W / 1M)	89dB	91dB	92dB
Max. SPL (Rated W / 1M)	100dB	104dB	107dB
Frequency Range (-10dB)	130Hz ~ 20KHz	100Hz ~ 20KHz	
Dispersion 1K Hz / 4K Hz	195° / 60°	200° / 35°	200° / 35°
Ambient Temperature	-30°C ~ +60°C		
Ingress Protection	IEC529 IP55		
Power Selection	7-core cable		
Material	Housing: High impact ABS with UV protection		
Colour / Finish	White (RAL 9016)		
Dimensions	180.0 (7.09) Dia. mm. (in.)	260.0 (10.24) Dia. mm. (in.)	
Net Weight (ea)	1.50 kgs (3.31 lbs)	2.20 kgs (4.85 lbs)	2.40 kgs (5.29 lbs)