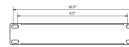


# BSFN Series

9.5" & 10.5" Blind panels


An elegant 9.5" & 10.5" blind plate made of steel with a plate thickness of 1.5 mm and provided with a black (RAL9004) structured powder coating. The blind plate is used to fill in gaps between equipment.



## Product Features:

---

Dimensions	264 x 43.7 x 10 mm (W x H x D)
Weight	0.17 kg

	<p><b>BSFN01</b></p>	<p><b>Product description:</b> BLIND COVER FOR 9.5"/10.5" CABINETS - 1 UNIT</p>	<p><b>Unit height:</b> 1 HE</p>
	<p><b>Weight:</b> 0,17 kg</p>	<p><b>Outer dimensions:</b> (w x h x d) 264 x 43,7 x 10</p>	