



# MERO5

High-end 2-way in-wall speaker 5"

## Highlights:

---

- SlimLine™ grill with 1mm thin border
- Gold-Con™ spring clamps
- 1" + 5" Aluminum membrane drivers
- QuickFix installation system

The selection of high-grade materials in combination with accurate acoustics craftsmanship makes the MERO speakers superior in their class. The medium sized MERO5 consists of a 5" aluminum cone woofer and complementary 1" dome tweeter that are smoothly matched and optimized using a high-quality crossover network. An acoustically optimized waveguide matches the dispersion of woofer and tweeter, while a phaseplug reduces diffraction and enhances off-axis high frequency response. All these details share their part to its pure sound. An elegant look with minimal visual impact is created by the slim grill with very thin border, while great ease and installers convenience is guaranteed using the quick-fix mechanism with Gold-CON connectivities. The grill is held in place using neodymium magnets, providing a quick and stable assembly. Installation can be done in both vertically and horizontally, while the rotatable tweeter allows optimal orientation positioning.



## Applications:

---

- Bars, restaurants
- Retail
- Corporate spaces
- Residential



## Impedance:

---



## System specifications:

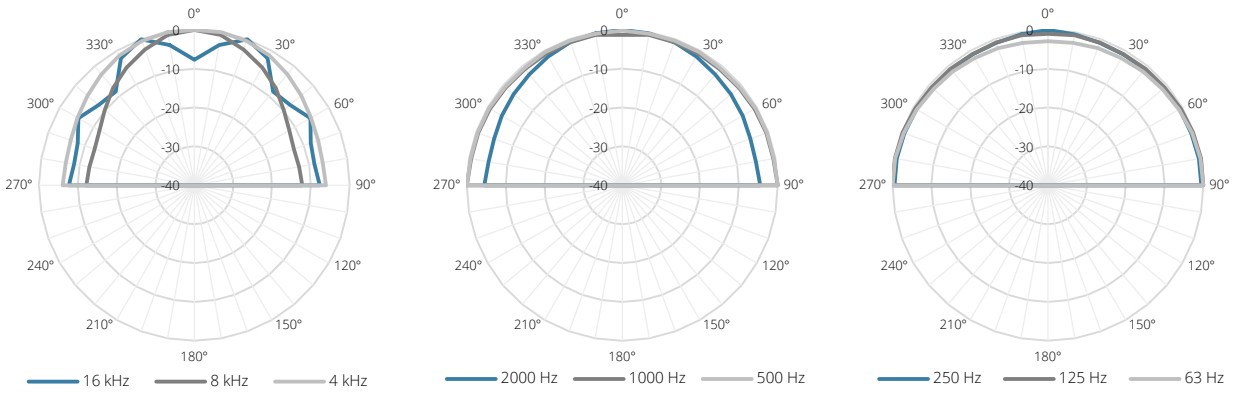
Speaker type		2-way
Max. Power		100 W
RMS Power		50 W
Impedance		8 $\Omega$
Sensitivity (1W/1m)		85 dB
Sound Pressure (Max. W/1m)		102 dB
Frequency	Response ( $\pm$ 3 dB)	70 Hz - 20 kHz
	Range (-10 dB)	55 Hz - 20 kHz
Crossover	Frequency	3 kHz
	Type	Passive built-in
Dispersion	Horizontal	160°
	Vertical	140°
Connectors		Gold-Con™ spring clamps
Drivers	HF	1" Aluminium membrane
	LF	5" Aluminium membrane (coaxial)

## Product Features:

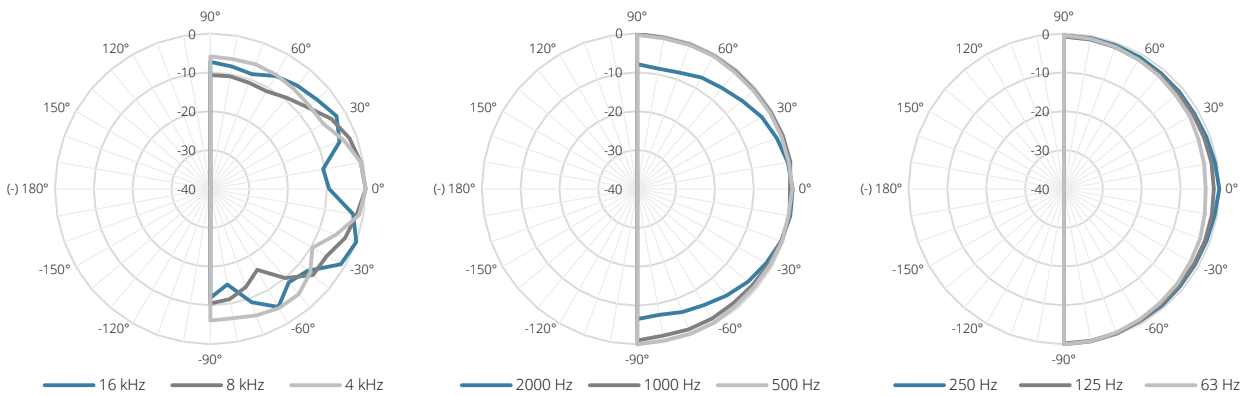
Dimensions		161.5 x 236.5 x 74.1 mm (W x H x D)
Weight		1 kg
Construction		ABS
Front finish		Thin edged white grill (RAL9003)
Cut-out measurement		139 x 214 mm
Built-in depth		71 mm
Mounting & handling		4 Screw quick-fixing mechanism
Operating temperature		-20 °C ~ 60 °C
Colours		Black frame & white grill
Accessories	Included	Cut-out template
		GLM05/W - White grill (RAL9003)
	Optional	WTR24 - 24W 100V line transformer
		GLM05/B - Black grill (RAL9005)
		GLM05/P - Paintable grill

# Acoustical data graphs:

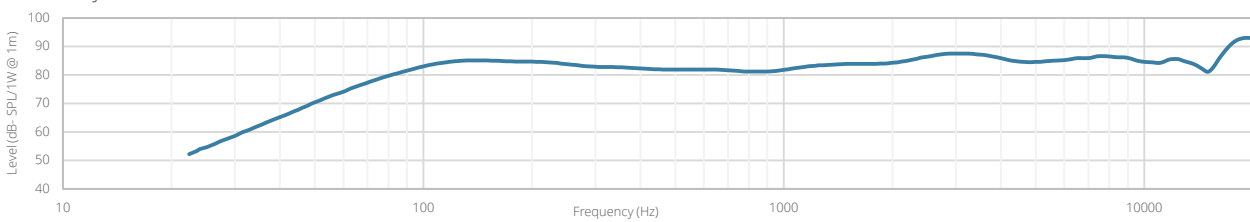
## Horizontal Polars:



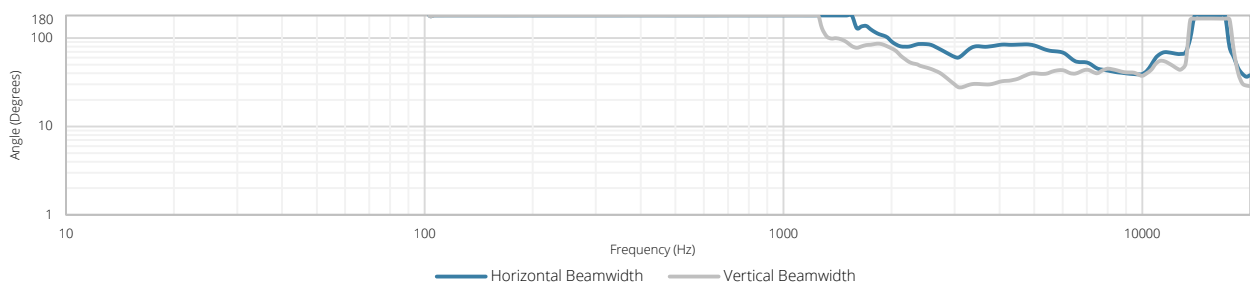
## Vertical Polars:



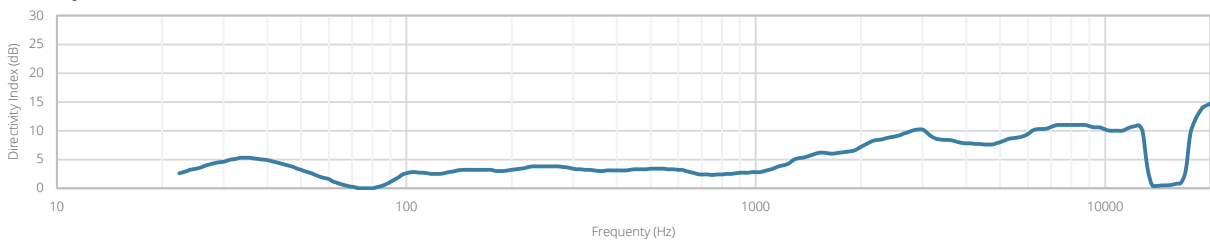
## Sensitivity:

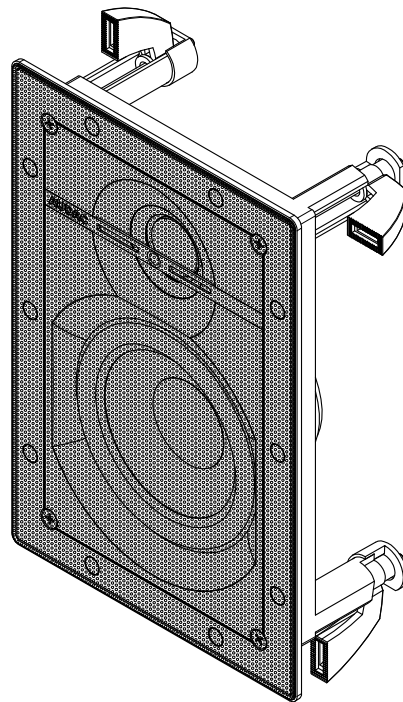
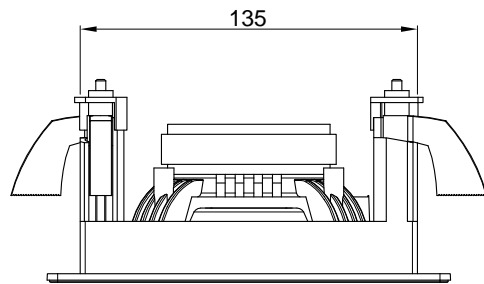
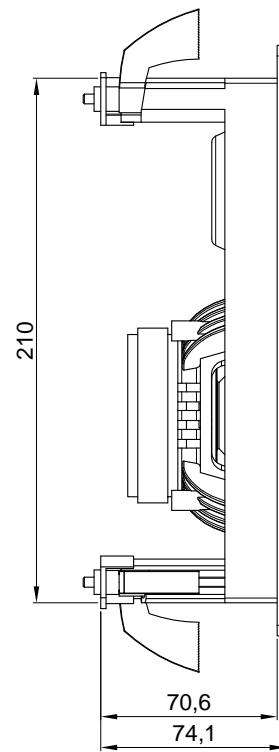
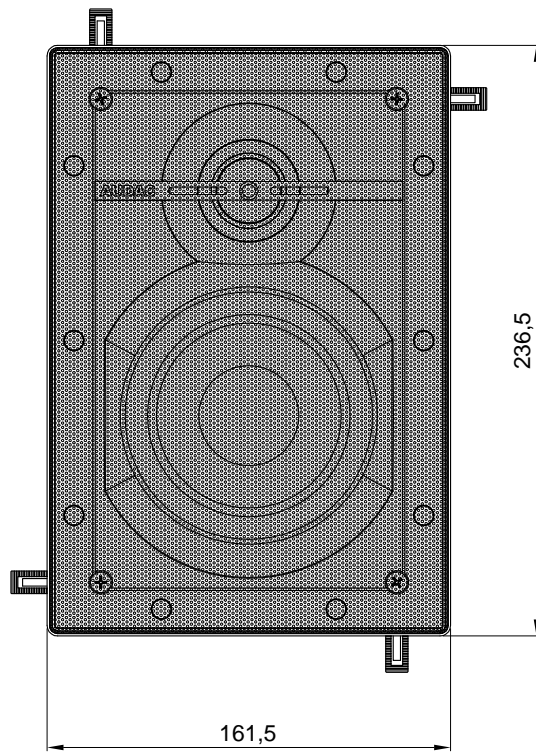


## Beamwidth (-3dB):



## Directivity index:





**MER05**

**Product description:**  
5" HIGH-END SLIM IN-WALL SPEAKER

**Weight:**

TBA

**Outer dimensions:**  
(w x h x d)

161,5 x 236,5 x 74,1

**Unit height:**

N/A