



# SP20

Sound projector

## Product information:

---

The SP series are high efficiency sound projectors designed to provide good speech intelligibility and background music in a wide variation of applications. They are all weather-proof treated to be used indoor as well as outdoor and are perfect suited to be used in large 100V broadcast systems such as train stations or airports. They all meet the IP56 Ingress Protection standard. The SP20 is a high-efficiency sound projector with an RMS power of 20 Watt, designed to provide good speech intelligibility and background music in a wide variation of applications. It is fitted with a 5" broadband loudspeaker and the power is adjustable by the integrated 100V line transformer with power taps for 20 Watt, 10 Watt, 5 Watt and 2.5 Watt at 100 Volt. The speaker can be easily mounted to any wall or ceiling by using the stainless steel mounting bracket. Thanks to the weatherproof treated ABS housing with white weatherproof coated aluminum grill, the speaker has a IP rating of 56 whereby it can be used indoor as well as outdoor for a wide variation of applications.



## Applications:

---

- Retail
- Corporate spaces

## Certification:

---

IP56

## Voltage:

---

100V

## System specifications:

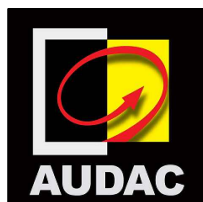
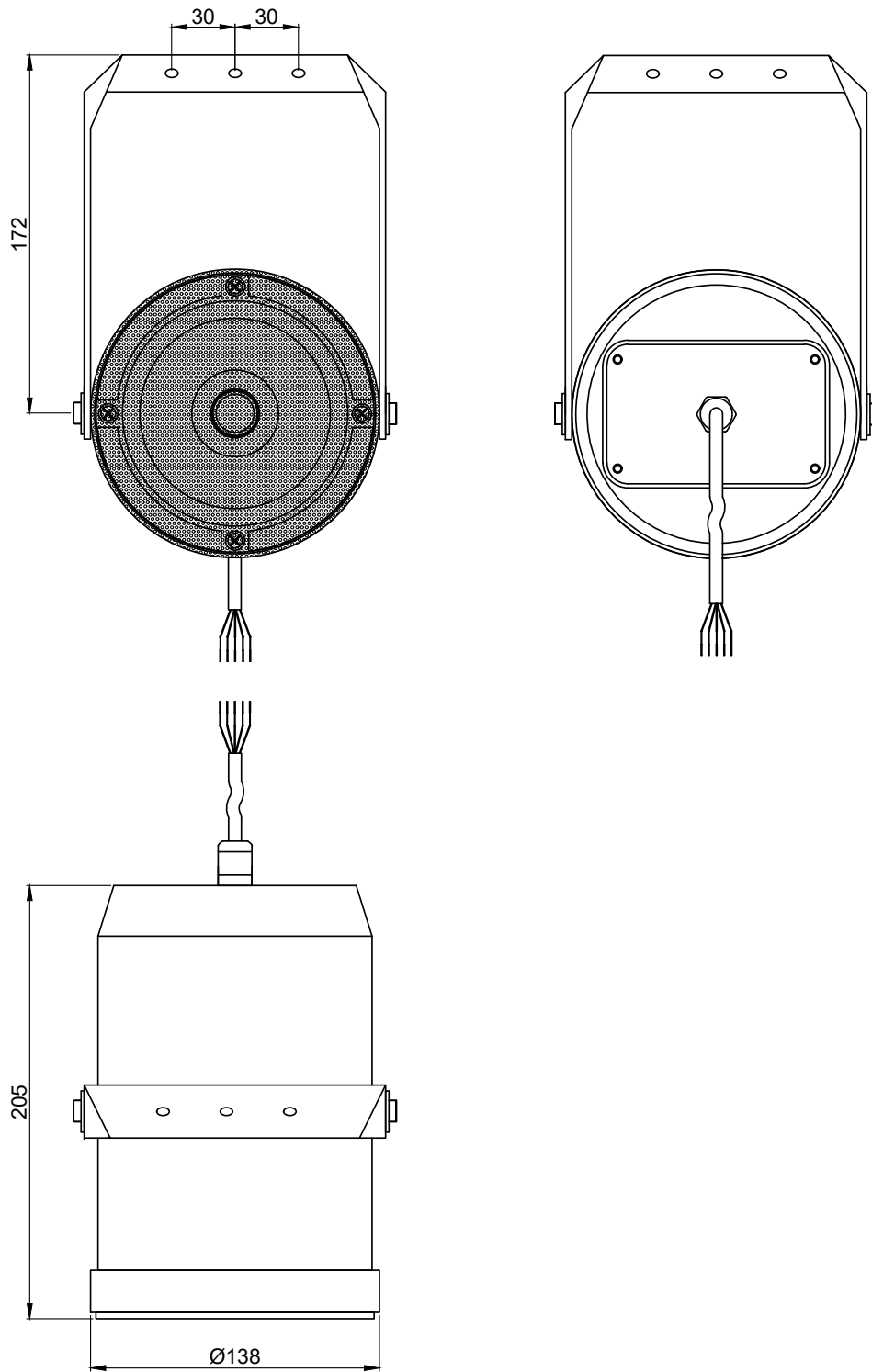
---

Max. Power		40 W
RMS Power		20 W
Line Transformer Tappings	1	20 W / 500 $\Omega$
	2	10 W / 1000 $\Omega$
	3	5 W / 2000 $\Omega$
	4	2.5 W / 4000 $\Omega$
Frequency	Response ( $\pm$ 3 dB)	130 Hz - 15 kHz
Sensitivity (1W/1m)		92 dB
Sound Pressure (Max. W/1m)		104 dB
Impedance		8 $\Omega$
Dispersion		180°
Directivity Q factor		2.60
Ingress Protection rating		IP56
Connectors		75 cm connection cable
Drivers		5"

## Product Features:

---

Dimensions		138 x 204 mm ( $\varnothing$ x D)
Weight		1.900 kg
Operating temperature		-20 °C ~ 60 °C
Construction		ABS
Mounting		Stainless steel U bracket
Front finish		Aluminium grill
Colours		White
Accessories	Included	Mounting bracket



**SP20**

**Product description:**  
BROADBAND SOUND PROJECTOR 20W 100V

**Weight:**  
1,43 kg

**Outer dimensions:**  
(w x h x d)  
Ø138 x 205

**Unit height:**  
N/A