



MBK260

35 mm stand adapter for KYRA series column speakers

Product information:

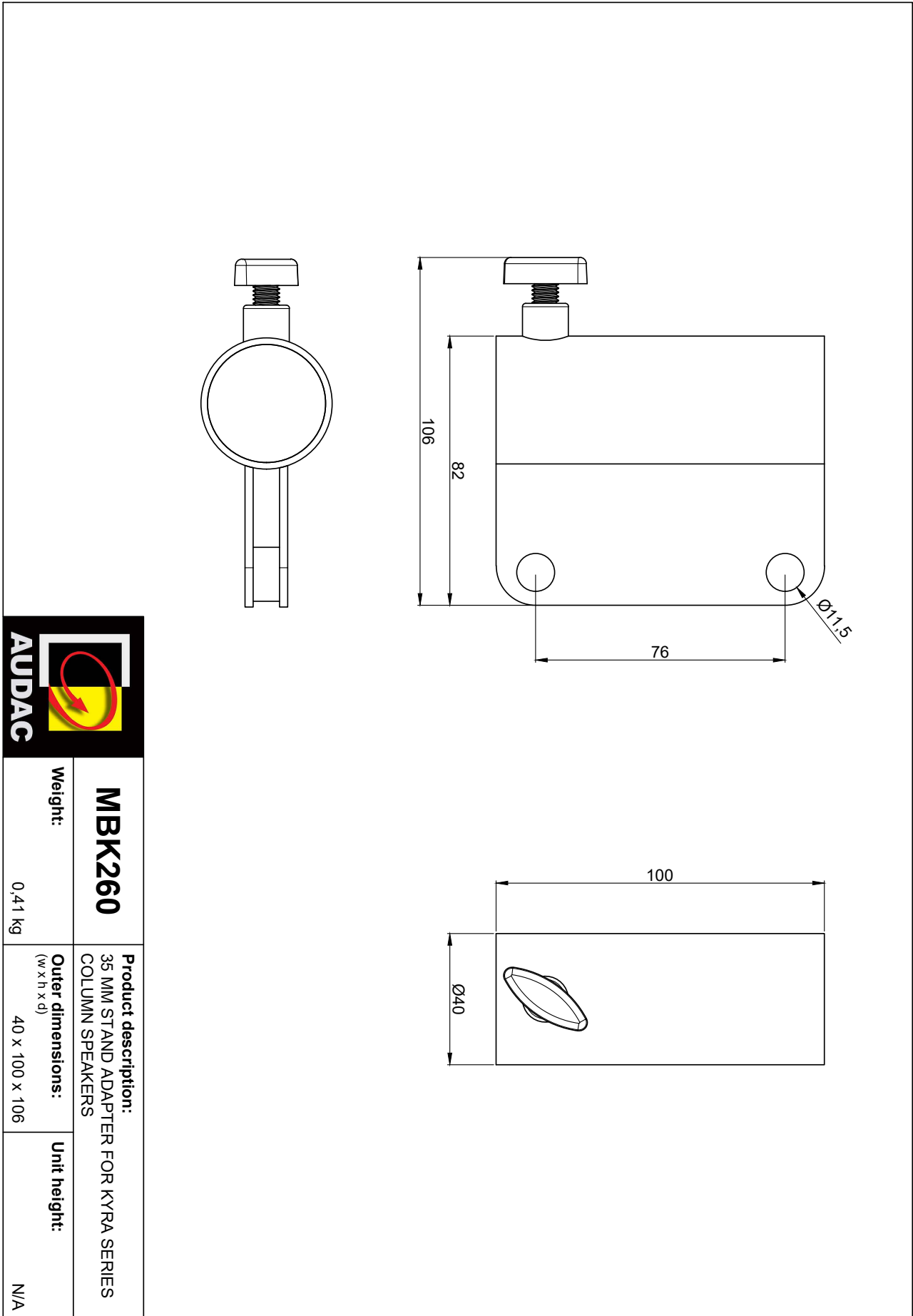
Thanks to this 35mm adapter piece you can place KYRA series column speaker effortlessly on any speaker stand. It can be assembled on different heights depending on the mounting possibilities and required installation height.

Fixation is done through inserting both supplied mounting screws into the pre-drilled and threaded holes at the back of the speaker. Depending on the inclination direction (upward or downwards) this part can be assembled in two directions. You can fixate the pole fitting by tightening the thumb screw included with this adapter.



Product Features:

Dimensions	40 x 100 x 106 mm (W x H x D)
	40 x 100 mm (Ø x H)
Construction	Steel
Finish	Structured powder coating
Weight	0.41 kg
Max. load	6.5 kg
Suited for	KYRA6, KYRA12 and KYRA24



MBK260		
Product description: 35 MM STAND ADAPTER FOR KYRA SERIES COLUMN SPEAKERS		
Weight:	Outer dimensions: (w x h x d)	Unit height:
0,41 kg	40 X 100 X 106	N/A