



ALTI4M

2-way 4" design surface mount loudspeakers

Highlights:

- Innovative & unique design
- Wide opening angle
- AWX5™ waterproof connector
- Outdoor rated construction
- Countless mounting possibilities
- Multi-tapping 70V / 100V line transformer

Product information:

"Don't feel like hanging around?"

The ALTI4M is a variant of the ALTI pendant speakers, featuring a die-cast mounting bracket for wall & ceiling mount purposes. This allows the same audio system design and identity throughout the entire installation in case some areas are not allowing pendant solutions being used due to the ceiling heights or structures. Acoustics and construction are identically crafted, while connections are made through weatherproof AWX5™ connectors, this construction has an IP65 rating.

The ALTI4M features a 2-way 4" driver combination with a coaxially mounted 1" soft dome tweeter and is fitted with a phase plug for excellent off-axis performance. The 2-way combination with a high-quality polypropylene enclosure and acoustic engineering craftsmanship guarantees premium performance for demanding applications. A continuous power handling of 30 Watt (RMS) and maximum power handling of 60 Watt is achieved.



Impedance:

16 Ohm

System specifications:

Max. Power		60 W
RMS Power		30 W
Speaker type		2-way coaxial
Drivers		4"
Impedance		16 Ω
Line Transformer Tappings	1	208 Ω - 100 V / Not used - 70 V / 24 W
	2	417 Ω - 100 V / 24 W - 70 V / 12 W
	3	833 Ω - 100 V / 12 W - 70 V / 6 W
Dispersion	Conical	165° (average 500 Hz to 5 kHz @ -6 dB)
Connectors		Waterproof AWX-5 connector
Sensitivity (1W/1m)		80 dB
Sound Pressure (Max. W/1m)	@ 16 Ω	95.1 dB
Frequency	Range (-10 dB)	65 Hz - 20 kHz
	Response (\pm 3 dB)	85 Hz - 20 kHz
Ingress Protection rating		IP65

Product Features:

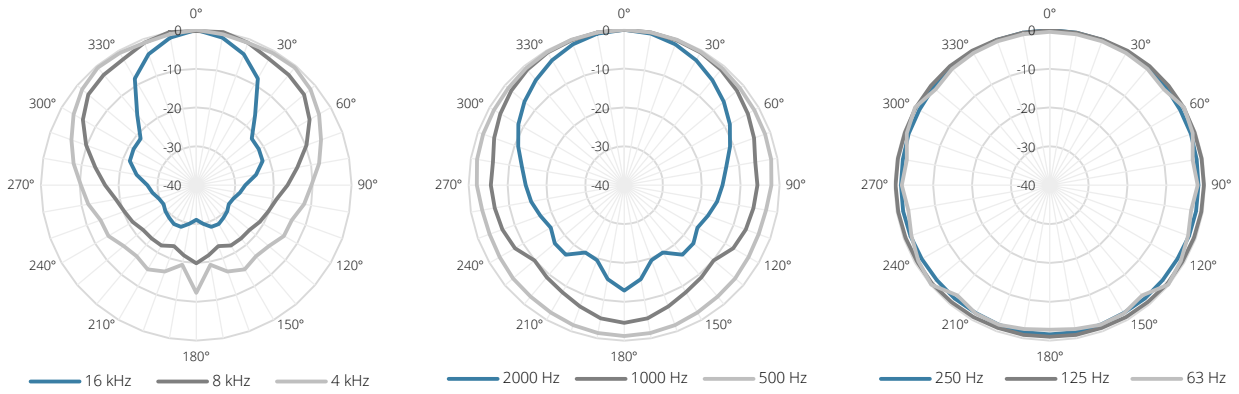
Dimensions		205 x 170 x 258 mm (W x H x D)
Connection cable length		0.7 m
Construction		Polypropylene
Front finish		Aluminium grill
Mounting & handling		2-way Revolving mounting bracket
Accessories	Included	5-pin connection cable (70 cm)
		2-way Revolving mounting bracket
Weight		2.31 kg

Variants:

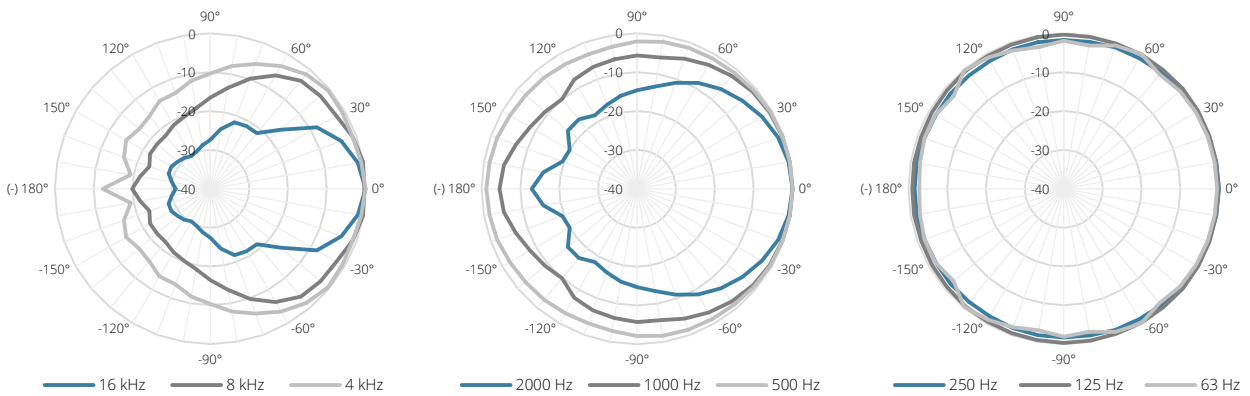
- ALTI4M/B - Black version
- ALTI4M/W - White version

Acoustical data graphs:

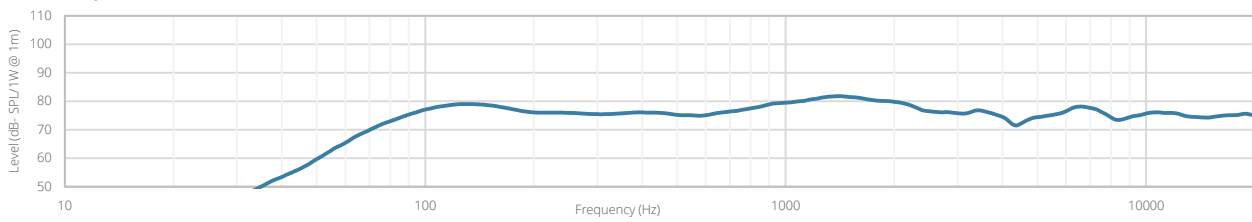
Horizontal Polars:



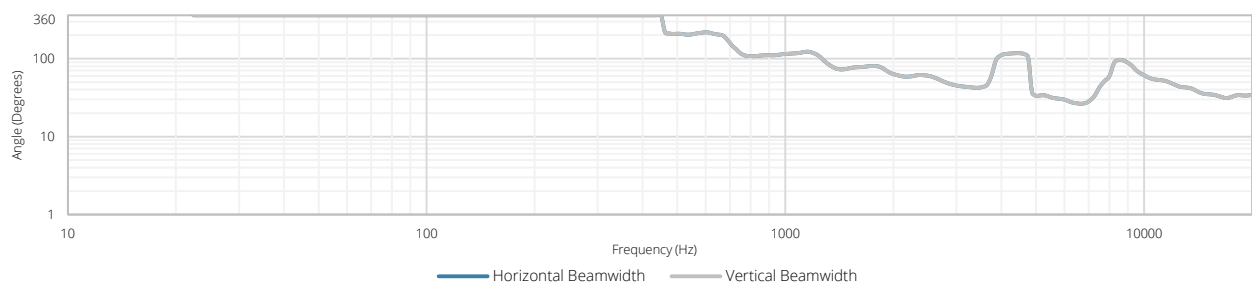
Vertical Polars:



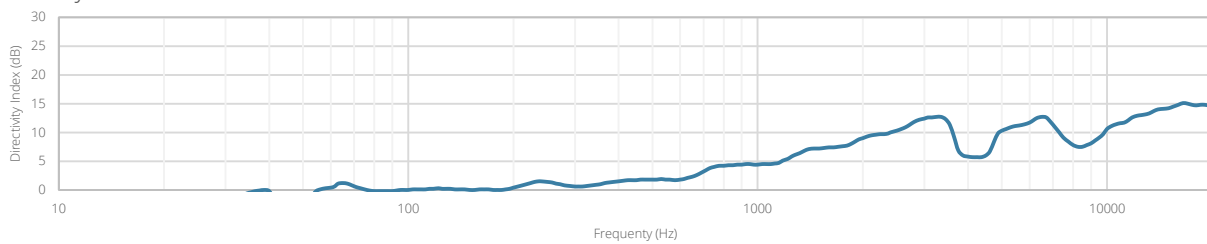
Sensitivity:

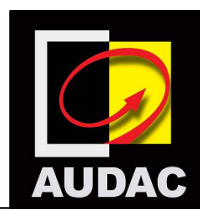
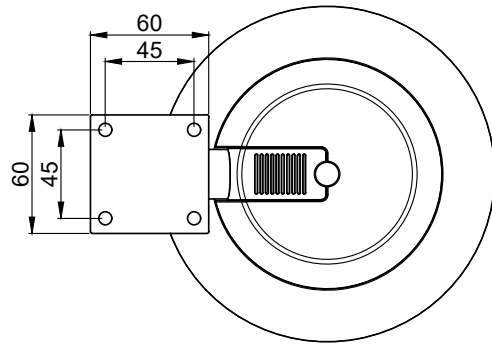
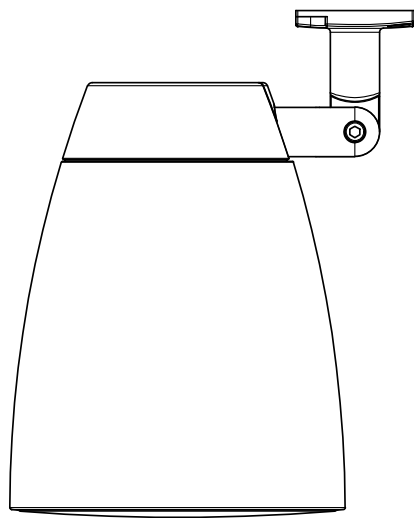
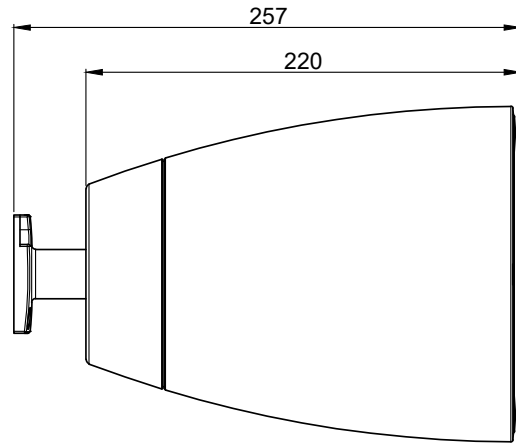
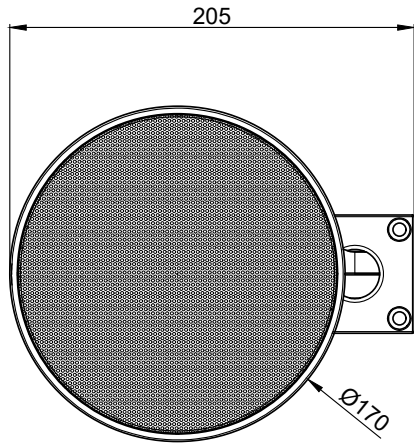


Beamwidth (-3dB):



Directivity index:





ALTI4M

Product description:
2-WAY 4" PROJECTOR SPEAKER 24W - 70V/100V & 16 OHM

Weight:
TBA

Outer dimensions:
(w x h x d)
205 x 170 x 257

Unit height:
N/A