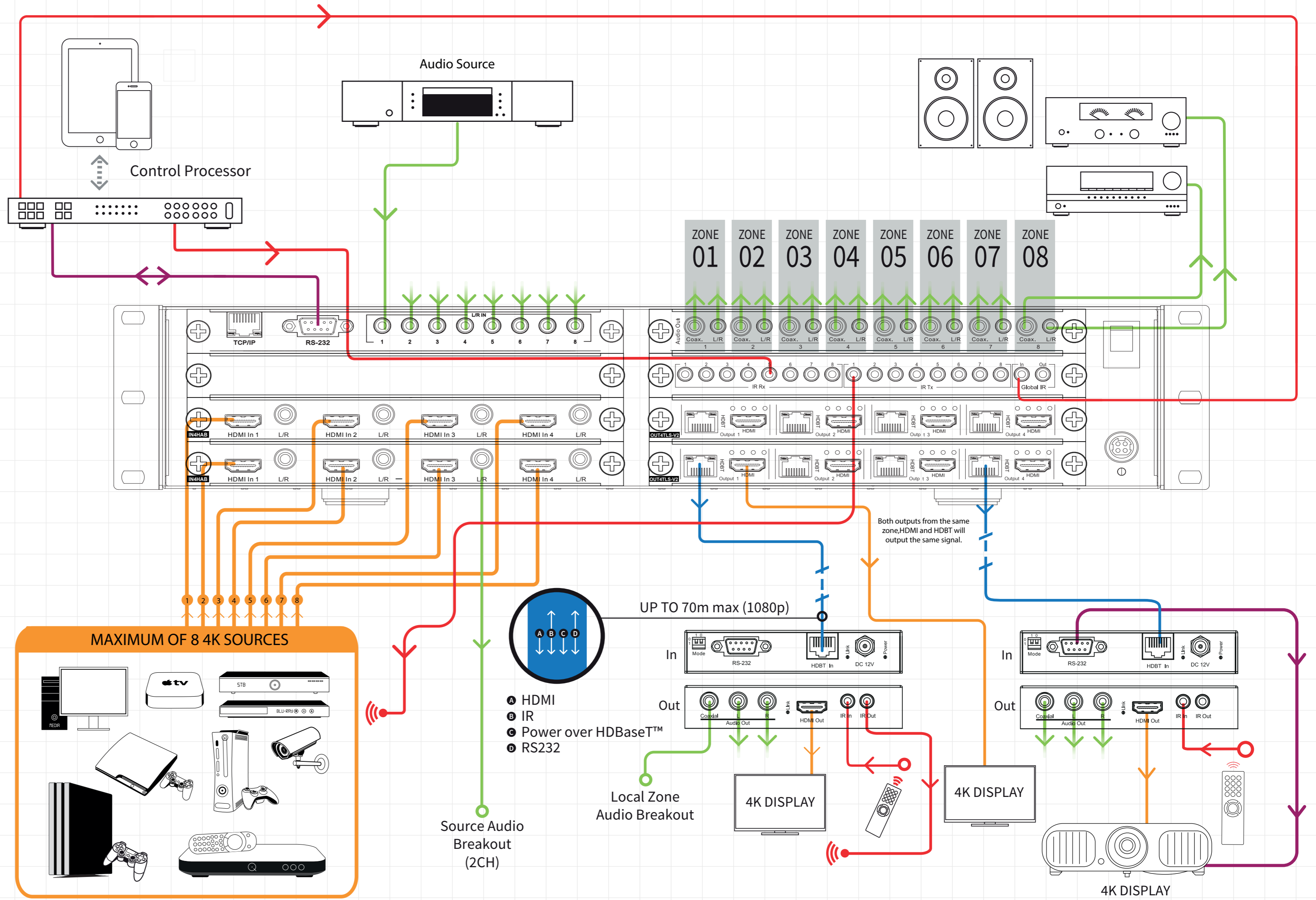


Example Schematic
PRO88HDBT70CS



*Receiver used = HEX70CS-RX