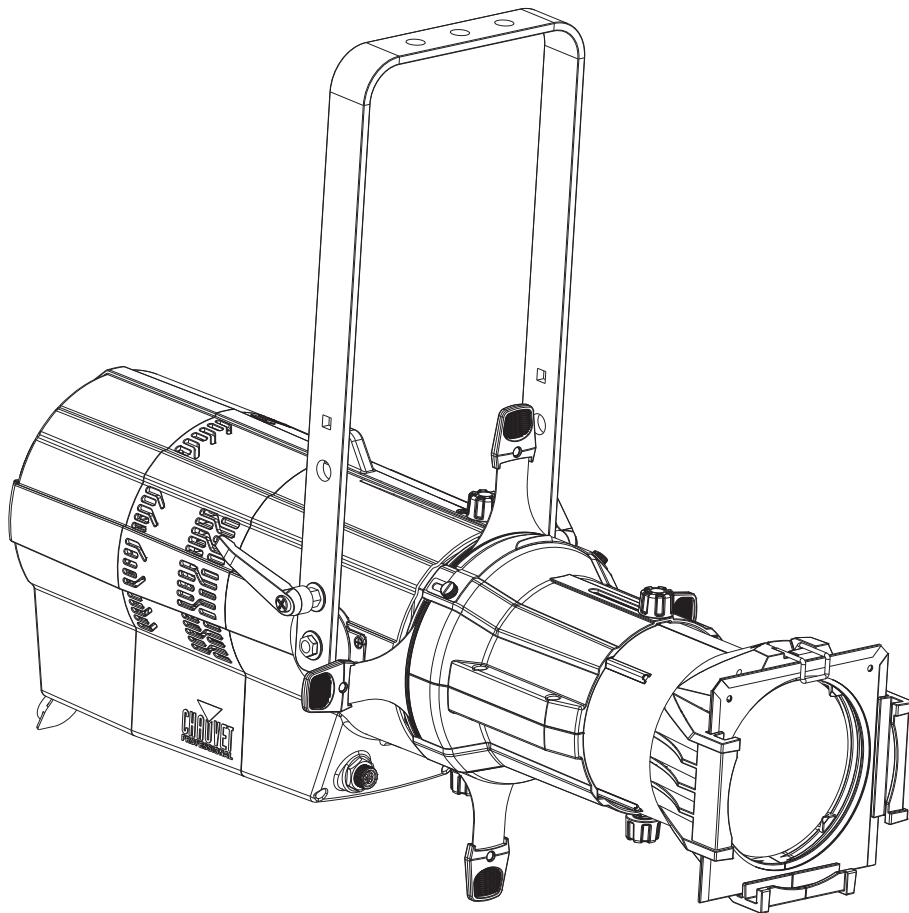


Ovation

E-910FC IP

Quick Reference Guide

English	EN
Español	ES
Français	FR
Deutsch	DE
Nederlands	NL



*Lens tubes sold separately

About This Guide

The Ovation E-910FC IP Quick Reference Guide (QRG) has basic product information such as connection, mounting, menu options, and DMX values. Download the User Manual from www.chauvetprofessional.com for more details.

Disclaimer

The information and specifications contained in this QRG are subject to change without notice.

LIMITED WARRANTY

FOR WARRANTY REGISTRATION AND COMPLETE TERMS AND CONDITIONS PLEASE VISIT OUR WEBSITE.

For Customers in the United States and Mexico: www.chauvetlighting.com/warranty-registration.

For Customers in the United Kingdom, Republic of Ireland, Belgium, the Netherlands, Luxembourg, France, and Germany: www.chauvetlighting.eu/warranty-registration/.

Chauvet warrants that this product shall be free from defects in material and workmanship under normal use, for the period specified in and subject to the exclusions and limitations set forth in, the full limited warranty on our website. This warranty extends only to the original purchaser of the product and is not transferable. To exercise rights under this warranty, the customer must provide proof of purchase in the form of an original sales receipt from an authorized dealer that shows the product name and date of purchase. **THERE ARE NO OTHER EXPRESS OR IMPLIED WARRANTIES.** This warranty gives the customer specific legal rights. You may also have other rights that vary from state to state and country to country. This warranty is valid only in the United States, United Kingdom, Republic of Ireland, Belgium, the Netherlands, Luxembourg, France, Germany and Mexico. For warranty terms in other countries, please consult your local distributor.

Safety Notes

- DO NOT open this product. It contains no user-serviceable parts.
- DO NOT look at the light source when the product is on.
- DO NOT submerge this product (IP65). Regular outdoor operation is fine.
- DO NOT leave any flammable material within 50 cm of this product while operating or connected to power.
- DO NOT operate this product if the housing, lenses, or cables appear damaged.
- DO NOT connect this product to a dimmer or rheostat.
- CAUTION: This product's housing may be hot when lights are operating. Mount this product in a location with adequate ventilation, at least 20 in (50 cm) from adjacent surfaces.
- CAUTION: When transferring product from extreme temperature environments, (e.g., cold truck to warm humid ballroom) condensation may form on the internal electronics of the product. To avoid causing a failure, allow product to fully acclimate to the surrounding environment before connecting it to power.
- Not for permanent outdoor installation in locations with extreme environmental conditions. This includes, but is not limited to:
 - Exposure to a marine/saline environment (within 3 miles of a saltwater body of water).
 - Where the normal high or low temperatures of the location exceed the temperature ranges in this manual.
 - Locations that are prone to flooding or being buried in snow.
 - Other areas where the product will be subject to extreme radiation or caustic substances.
- USE a safety cable when mounting this product overhead.
- ONLY connect this product to a grounded and protected circuit.
- ONLY use the hanging/mounting bracket to carry this product.
- To eliminate unnecessary wear and improve its lifespan, during periods of non-use completely disconnect the product from power via breaker or by unplugging it.
- In the event of a serious operating problem, stop using immediately.
- The maximum ambient temperature is 113 °F (45 °C). Do not operate this product at higher temperatures.

FCC Compliance

This device complies with Part 15 Part B of the FCC Rules. Operation is subject to the following two conditions:

1. This device may not cause harmful interference, and
2. This device must accept any interference received, including interference that may cause undesired operation.

Any changes or modifications not expressly approved by the party responsible for compliance could void the user's authority to operate the equipment.

Contact

Outside the U.S., U.K., Ireland, Benelux, France, Germany, or Mexico, contact a distributor to request support or return a product. Visit [Contact Us](#) at the end of this QRG for contact information.

What is Included

- Ovation E-910FC IP
- Quick Reference Guide
- Seetronic Powerkon IP65 power cord



If there is a protective film on the soft-focus filter, it must be removed before use. The filter is in a holder in the metal gobo slot.

AC Power

This product has an auto-ranging power supply that can work with an input voltage range of 100–240 VAC, 50/60 Hz.

Power Linking

It is possible to link up to 7 Ovation E-910FC IP products at 120 VAC, 11 products at 208 V, or 12 at 230 VAC. Never exceed this number. Power linking cords can be purchased separately.

AC Plug

Connection	Wire (U.S.)	Wire (Europe)	Screw Color
AC Live	Black	Brown	Yellow/Brass
AC Neutral	White	Blue	Silver
AC Ground	Green/Yellow	Green/Yellow	Green



- To eliminate unnecessary wear and improve its lifespan, during periods of non-use completely disconnect the product from power via breaker or by unplugging it.
- When using this product in an outdoor IP65-type environment, be sure to use IP65 (or higher) rated power cables and secure unused ports with attached IP65 covers.

DMX Linking

The Ovation E-910FC IP will work with a DMX controller using a 5-pin DMX serial connection. A DMX Primer is available from www.chauvetprofessional.com.

DMX Connection

The Ovation E-910FC IP uses a 5-pin DMX data connection for its DMX personalities: **1Ch, 4Ch, 6Ch, 8Ch, 11Ch, 13Ch, 14Ch, 17Ch**, and **HSV**. See the User Manual for information about connecting and configuring the product for DMX operation.



- When using this product in an outdoor IP65-type environment, be sure to use IP65-rated (or higher) data cables and secure unused ports with attached IP65 covers.

Master/Slave Connection

The Ovation E-910FC IP uses the DMX data connection for its master/slave mode. See the User Manual for information about how to connect and configure the product for master/slave operation.

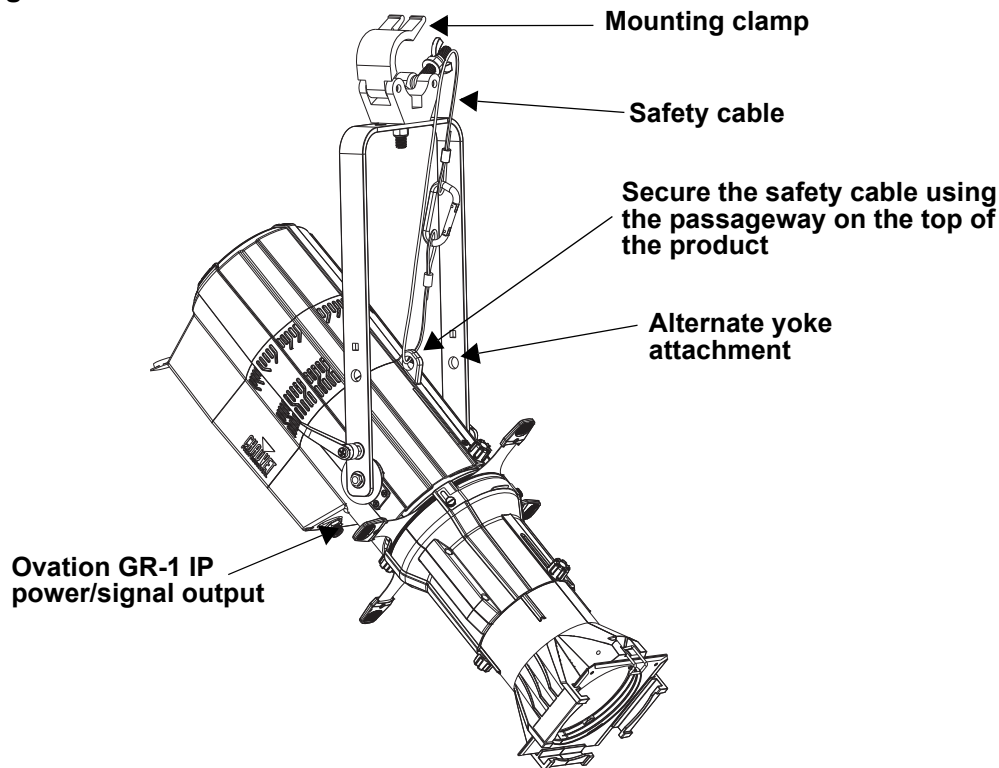
RDM (Remote Device Management)

Remote Device Management, or RDM, is a standard for allowing DMX-enabled devices to communicate bi-directionally along existing DMX cabling. Check the DMX controller's User Manual or with the manufacturer as not all DMX controllers have this capability. The Ovation E-910FC IP supports RDM protocol that allows feedback to make changes to menu map options. Download the User Manual from www.chauvetprofessional.com for more details.

Mounting

Before mounting this product, read the [Safety Notes](#). Use at least one mounting point per product. Make sure the mounting clamps are capable of supporting the weight of the product. For our Chauvet line of mounting clamps, go to <http://trusst.com/productcategory/truss-clamps/>.

Product Mounting Diagram



Overhead Mounting

Lens Tubes

The following lens tubes are available for purchase:

- 19°, 26°, 36°, and 50° w/Gel frame (6.25 in/159 mm accessories)
- 14°, 15°–30°, and 25°–50° Zoom Gel frame (7.5 in/191 mm accessories)

Passcode

After being prompted, enter the following passcode by pressing:

<UP>, <DOWN>, <UP>, <DOWN>, <ENTER>

This passcode cannot be changed and must be used whenever prompted.

Virtual Color Wheel (VCW)

The Ovation E-910FC IP includes a feature called the Virtual Color Wheel (VCW). This feature is available as a standalone control mode for manual use and as a control channel in select DMX personalities. More than 30 premixed colors, custom blended by Chauvet engineers, are available to call up for easier programming.

The DMX values used to mix these colors are provided below. The overall intensity of the Ovation fixture can be adjusted to more closely replicate familiar industry-standard colors. A chart is available on www.chauvetprofessional.com to compare Chauvet's premixed colors with popular gel colors. This chart is for comparison purposes only and is not an assertion that Chauvet's premixed colors match any of the gel colors listed.

Virtual Color Wheel Chart

	R	G	B	A	L
C3050-Md Yellow	233	163	20	123	255
C3040-Lt Yellow	224	158	47	255	231
C3240-Amb Yellow	180	60	0	245	255
C2340-VLt Amber	245	107	81	255	213
C2040-Lt Amber	230	130	62	255	155
C2050-Md Amber	255	0	25	255	194
C2060-Dk Amber	255	0	24	255	150
C1050-Lt Red	255	37	27	30	38
C1080-Md Red	255	4	17	0	0
C1020-NC Pink	238	135	129	255	255
C1030-Md Pink	255	131	120	255	195
C1630-Dk Pink	250	165	123	255	210
C1250-Md Red Amber	255	0	41	195	55
C1060-Dk Red Amber	255	0	45	120	30
C1650-Magenta	255	50	115	255	115
C6170-Dk Magenta	255	35	117	0	0
C6020-Lt Lavender	127	122	142	251	255
C5030-Lt Blue	0	255	197	100	255
C5020-VLt Blue	158	255	189	0	255
C5430-Lt Blue2	0	255	180	0	243
C5070-Blue	43	255	210	43	36
C5050-Md Blue	0	255	218	0	181
C5060-Dk Blue	0	210	206	0	118
C5690-Indigo	65	0	210	40	55
C5080-VDk Blue	0	203	230	0	40
C5081-VdK Blue2	40	199	240	0	45
C4370-Yel Green	27	255	28	16	104
C4070-Green	49	255	55	120	90
C4550-Turquoise	60	230	109	0	245
C4560-Aqua	20	240	126	36	255
C4570-Blue Green	0	255	79	30	53



Note: The colors above are simulated renditions of the color output produced compared with other similar incandescent products. Chauvet makes no guarantee of the color output accuracy.

Color Temperature Chart

	R	G	B	A	L
2800K	187	130	97	255	255
3000K	177	145	105	255	255
3200K	168	157	113	255	255
3500K	163	177	124	255	255
4000K	151	195	141	255	255
4500K	145	214	157	255	255
5000K	138	227	170	255	255
5600K	130	239	184	255	255
6000K	126	246	193	255	255
6500K	120	254	201	255	255



Note: The color temperatures above are simulated renditions of the color output produced compared with a tungsten lamp at the specified color temperature. Chauvet makes no guarantee of the color output accuracy.

Control Panel Description

Button	Function
<MENU>	Exits from the current menu or function
<ENTER>	Enables the currently displayed menu or sets the currently selected value into the selected function
<UP>	Navigates upwards through the menu list or increases the numeric value when in a function
<DOWN>	Navigates downwards through the menu list or decreases the numeric value when in a function

Menu Map

Main Level	Programming Levels	Description
DMX Address	001–512*	Selects DMX address (highest channel restricted to personality chosen)
DMX Channel	1Ch	1-channel: dimmer
	4Ch	4-channel: dimmer, VCW, color temperature, gobo rotation
	6Ch	6-channel: RGBAL, gobo rotation
	8Ch	8-channel: dimmer, RGBAL, strobe, gobo rotation
	11Ch	11-channel: 16-bit dimmer, RGBAL, strobe, VCW, color temperature, gobo rotation
	13Ch	13-channel: dimmer, RGBAL, strobe, VCW, color temperature, auto program, auto speed, dimmer speed mode, gobo rotation, red shift
	14Ch	14-channel: 16-bit dimmer, 16-bit RGBAL, strobe, gobo rotation
	17Ch	17-channel: 16-bit dimmer, 16-bit RGBAL, strobe, VCW, color temperature, gobo rotation, red shift
	HSV	4-channel: hue, saturation, value, gobo rotation

Main Level	Programming Levels		Description	
Virtual Color Wheel	Virtual Color Wheel	C3050-Md Yellow	Dimmer 0–255	Virtual color wheel simulates the output of each gel color. Refer to the Virtual Color Wheel Chart section for specific values.
		C3040-Lt Yellow		
		C3240-Amb Yellow		
		C2340-VLt Amber		
		C2040-Lt Amber		
		C2050-Md Amber		
		C2060-Dk Amber		
		C1050-Lt Red		
		C1080-Md Red		
		C1020-NC Pink		
		C1030-Md Pink		
		C1630-Dk Pink		
		C1250-Md Red Amber		
		C1060-Dk Red Amber		
		C1650-Magenta		
		C6170-Dk Magenta		
		C6020-Lt Lavender		
		C5030-Lt Blue		
		C5020-VLt Blue		
		C5430-Lt Blue2		
		C5070-Blue		
		C5050-Md Blue		
		C5060-Dk Blue		
		C5690- Indigo		
		C5080-VDk Blue		
		C5081-VDk Blue2		
		C4370-Yel Green		
		C4070-Green		
		C4550-Turquoise		
		C4560-Aqua		
		C4570-Blue Green		
		Virtual Color Wheel		
3000K				
3200K				
3500K				
4000K				
4500K				
5000K				
5600K				
6000K				
6500K				
Virtual Color Wheel	Manual Color Mixer	Red	0–255	Combine red, green, blue, amber, and lime to make a custom color (0–100%)
		Green		
		Blue		
		Amber		
		Lime		
Auto Show	Auto 1–5	1–100	Selects automatic programs and program speed	
Red Shift	On		Mimics halogen lamp dimming	
	Off			
Gobo Rotator	0–255		Rotating gobo index	
Master/ Slave	Master		DMX mode (Master)	
	Slave		Slave mode	

Main Level	Programming Levels		Description
Dimmer Curve	Linear		Sets the dimmer curve
	Square		
	I Square		
	SCurve		
Dimmer Mode	Off		Linear dimmer
	Dimmer 1–3		Dimming curves Dimmer 1 (fast) to Dimmer 3 (slow)
White Balance	Manual	Off	Uses factory default white setting
		Red	Sets red LED maximum value
		Green	Sets green LED maximum value
		Blue	Sets blue LED maximum value
		Amber	Sets amber LED maximum value
		Lime	Sets lime LED maximum value
LED Frequency	600Hz		Sets the PWM frequency
	1200Hz		
	2000Hz		
	4000Hz		
	6000Hz		
	25KHz		
Fan Mode	Auto		Sets the fan to auto mode
	On		Sets the fan to always on
	Off		Sets the fan to always off
	Silent		Sets the fan to silent
Back Light	10S		Turns off display backlight after 10 seconds of inactivity
	30S		Turns off display backlight after 30 seconds of inactivity
	2Min		Turns off display backlight after 2 minutes of inactivity
	Always On		Display backlight remains on
Key Lock	On		Turns passcode on or off (Password is <UP>, <DOWN>, <UP>, <DOWN>, <ENTER>)
	Off		
Gobo Power	On		Enables or disables gobo power output
	Off		
Information	Fixture Hours	----_H	Shows total hours the product has been powered on
	LED Hours	----_H	Shows total LED hours
	Version	V_._	Shows current firmware version
	UID	-----	Shows product UID
Reset Factory	No		Resets the product to factory default settings
	Yes		



WARNING: When operating in Fan Mode: Off, the fixture will become hotter to the touch than when using other fan modes. User proper protective equipment to prevent burns. Keep a safe distance from flammable objects.



NOTICE: When operating in Fan Mode: Off, output of the fixture will be reduced and will not reach the same levels as when using other fan modes.

DMX Values

17Ch

Channel	Function	Value	Percent/Setting
1	Dimmer	000 ⇔ 255	0–100%
2	Dimmer fine	000 ⇔ 255	0–100%
3	Red	000 ⇔ 255	0–100%
4	Red fine	000 ⇔ 255	0–100%
5	Green	000 ⇔ 255	0–100%
6	Green fine	000 ⇔ 255	0–100%
7	Blue	000 ⇔ 255	0–100%
8	Blue fine	000 ⇔ 255	0–100%
9	Amber	000 ⇔ 255	0–100%
10	Amber fine	000 ⇔ 255	0–100%
11	Lime	000 ⇔ 255	0–100%
12	Lime fine	000 ⇔ 255	0–100%
13	Strobe	000 ⇔ 010 011 ⇔ 255	No function Strobe, slow to fast
14	Virtual color wheel	000 ⇔ 255	See Virtual Color Wheel Chart
15	Color temperature	000 ⇔ 255	See Color Temperature Chart
16	Gobo rotation	000 ⇔ 127 128 ⇔ 190 191 ⇔ 192 193 ⇔ 255	Gobo index Clockwise rotation, fast to slow Stop Counterclockwise rotation, slow to fast
17	Control (hold 3 seconds, then release)	000 ⇔ 007 008 ⇔ 015 016 ⇔ 023 024 ⇔ 031 032 ⇔ 039 040 ⇔ 047 048 ⇔ 055 056 ⇔ 063 064 ⇔ 071 072 ⇔ 079 080 ⇔ 087 088 ⇔ 095 096 ⇔ 103 104 ⇔ 111 112 ⇔ 119 120 ⇔ 127 128 ⇔ 225	No function Dimmer reset Red Shift On Red Shift Off Dimmer: S-Curve Dimmer: Linear Dimmer: Square Dimmer: Inverse Square Dimmer Mode Off Dimmer Mode 1 Dimmer Mode 2 Dimmer Mode 3 Fan Auto Fan On Fan Off Fan Silent No Function

14Ch

Channel	Function	Value	Percent/Setting
1	Dimmer	000 ⇔ 255	0–100%
2	Dimmer fine	000 ⇔ 255	0–100%
3	Red	000 ⇔ 255	0–100%
4	Red fine	000 ⇔ 255	0–100%
5	Green	000 ⇔ 255	0–100%
6	Green fine	000 ⇔ 255	0–100%
7	Blue	000 ⇔ 255	0–100%
8	Blue fine	000 ⇔ 255	0–100%
9	Amber	000 ⇔ 255	0–100%
10	Amber fine	000 ⇔ 255	0–100%
11	Lime	000 ⇔ 255	0–100%
12	Lime fine	000 ⇔ 255	0–100%

EN

Channel	Function	Value	Percent/Setting
13	Strobe	000 ⇔ 010	No function
		011 ⇔ 255	Strobe, slow to fast
14	Gobo rotation	000 ⇔ 127	Gobo index
		128 ⇔ 190	Clockwise rotation, fast to slow
		191 ⇔ 192	Stop
		193 ⇔ 255	Counterclockwise rotation, slow to fast

13Ch

Channel	Function	Value	Percent/Setting
1	Dimmer	000 ⇔ 255	0–100%
2	Red	000 ⇔ 255	0–100%
3	Green	000 ⇔ 255	0–100%
4	Blue	000 ⇔ 255	0–100%
5	Amber	000 ⇔ 255	0–100%
6	Lime	000 ⇔ 255	0–100%
7	Strobe	000 ⇔ 010	No function
		011 ⇔ 255	Strobe, slow to fast
8	Virtual color wheel	000 ⇔ 255	See Virtual Color Wheel Chart
9	Color temperature	000 ⇔ 255	See Color Temperature Chart
10	Auto program	000 ⇔ 010	No function
		011 ⇔ 060	Auto program 1
		061 ⇔ 110	Auto program 2
		111 ⇔ 160	Auto program 3
		161 ⇔ 210	Auto program 4
		211 ⇔ 255	Auto program 5
11	Auto speed	000 ⇔ 255	Auto speed, slow to fast
12	Control (Hold for 3 seconds, then release)	000 ⇔ 007	No function
		008 ⇔ 015	Dimmer reset
		016 ⇔ 023	Red Shift On
		024 ⇔ 031	Red Shift Off
		032 ⇔ 039	Dimmer: S-Curve
		040 ⇔ 047	Dimmer: Linear
		048 ⇔ 055	Dimmer: Square
		056 ⇔ 063	Dimmer: Inverse Square
		064 ⇔ 071	Dimmer Mode Off
		072 ⇔ 079	Dimmer Mode 1
		080 ⇔ 087	Dimmer Mode 2
		088 ⇔ 095	Dimmer Mode 3
		096 ⇔ 103	Fan Auto
		104 ⇔ 111	Fan On
112 ⇔ 119	Fan Off		
120 ⇔ 127	Fan Silent		
128 ⇔ 225	No Function		
13	Gobo rotation	000 ⇔ 127	Gobo index
		128 ⇔ 190	Clockwise rotation, fast to slow
		191 ⇔ 192	Stop
		193 ⇔ 255	Counterclockwise rotation, slow to fast

11Ch

Channel	Function	Value	Percent/Setting
1	Dimmer	000 ⇄ 255	0–100%
2	Dimmer fine	000 ⇄ 255	0–100%
3	Red	000 ⇄ 255	0–100%
4	Green	000 ⇄ 255	0–100%
5	Blue	000 ⇄ 255	0–100%
6	Amber	000 ⇄ 255	0–100%
7	Lime	000 ⇄ 255	0–100%
8	Strobe	000 ⇄ 010	No function
		011 ⇄ 255	Strobe, slow to fast
9	Virtual color wheel	000 ⇄ 255	See Virtual Color Wheel Chart
10	Color temperature	000 ⇄ 255	See Color Temperature Chart
11	Gobo rotation	000 ⇄ 127	Gobo index
		128 ⇄ 190	Clockwise rotation, fast to slow
		191 ⇄ 192	Stop
		193 ⇄ 255	Counterclockwise rotation, slow to fast

8Ch

Channel	Function	Value	Percent/Setting
1	Dimmer	000 ⇄ 255	0–100%
2	Red	000 ⇄ 255	0–100%
3	Green	000 ⇄ 255	0–100%
4	Blue	000 ⇄ 255	0–100%
5	Amber	000 ⇄ 255	0–100%
6	Lime	000 ⇄ 255	0–100%
7	Strobe	000 ⇄ 010	No function
		011 ⇄ 255	Strobe, slow to fast
8	Gobo rotation	000 ⇄ 127	Gobo index
		128 ⇄ 190	Clockwise rotation, fast to slow
		191 ⇄ 192	Stop
		193 ⇄ 255	Counterclockwise rotation, slow to fast

EN

6Ch

Channel	Function	Value	Percent/Setting
1	Red	000 ⇔ 255	0–100%
2	Green	000 ⇔ 255	0–100%
3	Blue	000 ⇔ 255	0–100%
4	Amber	000 ⇔ 255	0–100%
5	Lime	000 ⇔ 255	0–100%
6	Gobo rotation	000 ⇔ 127	Gobo index
		128 ⇔ 190	Clockwise rotation, fast to slow
		191 ⇔ 192	Stop
		193 ⇔ 255	Counterclockwise rotation, slow to fast

4Ch

Channel	Function	Value	Percent/Setting
1	Dimmer	000 ⇔ 255	0–100%
2	Virtual color wheel	000 ⇔ 255	See Virtual Color Wheel Chart
3	Color temperature	000 ⇔ 255	See Color Temperature Chart
4	Gobo rotation	000 ⇔ 127	Gobo index
		128 ⇔ 190	Clockwise rotation, fast to slow
		191 ⇔ 192	Stop
		193 ⇔ 255	Counterclockwise rotation, slow to fast

1Ch

Channel	Function	Value	Percent/Setting
1	Dimmer	000 ⇔ 255	0–100% (color set through menu)

HSV

Channel	Function	Value	Percent/Setting
1	Hue	000 ⇔ 255	0–100%
2	Saturation	000 ⇔ 255	0–100%
3	Value	000 ⇔ 255	0–100%
4	Gobo rotation	000 ⇔ 127	Gobo index
		128 ⇔ 190	Clockwise rotation, fast to slow
		191 ⇔ 192	Stop
		193 ⇔ 255	Counterclockwise rotation, slow to fast

Acerca de Esta Guía

La Guía de Referencia Rápida (GRR) del Ovation E-910FC IP contiene información básica sobre el producto, como montaje, opciones de menú y valores DMX. Descargue el Manual de Usuario de www.chauvetprofessional.com para información más detallada.

Exención de Responsabilidad

La información y especificaciones contenidas en esta GRR están sujetas a cambio sin previo aviso.

GARANTÍA LIMITADA

PARA VER EL REGISTRO DE GARANTÍA Y LOS TÉRMINOS Y CONDICIONES COMPLETOS, VISITE NUESTRO SITIO WEB.

Para clientes en los Estados Unidos y México: www.chauvetlighting.com/warranty-registration.

Para clientes en Reino Unido, República de Irlanda, Bélgica, Países Bajos, Luxemburgo, Francia y Alemania: www.chauvetlighting.eu/warranty-registration/.

Chauvet garantiza que este producto estará libre de defectos de material y mano de obra en condiciones de uso normales, durante el periodo especificado, sujeto siempre a las exclusiones y limitaciones establecidas en la garantía limitada completa de nuestro sitio web. Esta garantía se concede únicamente al comprador original del producto y no es transferible. Para ejercer los derechos que otorga esta garantía, usted debe proporcionar una prueba de compra en forma de un recibo de compra original, expedido por un distribuidor autorizado, donde figure el nombre del producto y la fecha de compra. NO EXISTEN OTRAS GARANTÍAS EXPRESAS NI IMPLÍCITAS. Esta garantía le otorga derechos legales específicos. Es posible que a usted le asistan otros derechos, que variarán dependiendo del estado o del país. Esta garantía solamente es válida en los Estados Unidos, Reino Unido, República de Irlanda, Bélgica, Países Bajos, Luxemburgo, Francia, Alemania y México. Para conocer los términos de garantía en otros países, consulte a su distribuidor local.

Notas de Seguridad

- NO abra este producto. No contiene piezas reparables por el usuario.
- NO mire a la fuente de luz cuando el producto esté encendido.
- NO sumerja este producto (IP65). La operación normal en exteriores es correcta.
- NO deje ningún material inflamable a menos de 50 cm de este producto mientras esté funcionando o conectado a la alimentación.
- NO ponga en funcionamiento este producto si sospecha que la carcasa, lentes o cables están dañados.
- NO conecte este producto a un atenuador o reostato.
- CUIDADO: La carcasa de este producto está caliente cuando las luces están en funcionamiento. Monte este producto en una ubicación con ventilación adecuada, al menos a 20" (50 cm) de superficies adyacentes.
- CUIDADO: Cuando transfiera el producto desde ambientes con temperatura extrema (p. ej., del remolque frío de un camión a una sala de baile con calor y humedad), puede formarse condensación en la electrónica interna del producto. Para evitar que se produzca una avería, deje que el producto se aclimate completamente al ambiente antes de conectar la alimentación.
- No apto para la instalación permanente en exteriores en lugares con condiciones ambientales extremas. Estas incluyen, sin limitarse a ellas:
 - Exposición a un ambiente marino/salino (a menos de 4,8 km de una masa de agua salada).
 - Cuando las temperaturas máxima o mínima habituales del lugar superan los rangos de temperatura en este manual.
 - Lugares proclives a inundaciones o a ser sepultados por la nieve.
 - Otras zonas en las que el producto esté expuesto a radiación extrema o sustancias cáusticas.
- USE un cable de seguridad cuando monte este producto en lo alto.
- Conecte este producto SOLO a un circuito con toma de tierra y protegido.
- Use SOLAMENTE los soportes de colgar/montar para mover este producto.
- Para evitar un desgaste innecesario y alargar su vida útil, desconecte complemente el producto de la alimentación, mediante el interruptor o desenchufándolo, durante los periodos en los que no se use.
- En caso de un problema grave de funcionamiento, deje de usarlo inmediatamente.
- La máxima temperatura ambiente es de 113 °F (45 °C). No haga funcionar este producto a temperaturas más altas.

Cumplimiento de la FCC

Este dispositivo cumple la parte 15, parte B de las normas FCC. El funcionamiento está supeditado al cumplimiento de estas dos condiciones:

1. Este dispositivo no puede causar interferencias perjudiciales; y
2. Este dispositivo debe aceptar cualquier interferencia recibida, incluyendo las interferencias que puedan causar un funcionamiento no deseado.

Cualquier cambio o modificación que no haya sido expresamente autorizado por la parte responsable de conformidad puede anular la potestad del usuario para hacer funcionar el equipo.

Contacto

Fuera de EE. UU., Reino Unido, Irlanda, Benelux, Francia, Alemania o México, póngase en contacto con su distribuidor para solicitar asistencia o devolver el producto. Visite [Contact Us](#) para información de contacto.

Qué va Incluido

- Ovation E-910FC IP
- Guía de Referencia Rápida
- Seetronic Powerkon IP65 cable de alimentación



Si hay una película protectora sobre el filtro de enfoque suave, hay que quitarla antes del uso. El filtro está en un soporte en la ranura de gobo de metal.

Corriente Alterna

Este producto tiene una fuente de alimentación con detección automática que puede funcionar con un rango de tensión de entrada de 100 a 240 VCA, 50/60 Hz.

Alimentación en Cadena

Puede enlazar hasta 7 productos Ovation E-910FC IP a 120 V, 11 a 208 V, o 12 a 230 V. Nunca sobrepase este número. Los cables de alimentación en cadena se pueden adquirir por separado.

Enchufe CA

Conexión	Cable (EE.UU.)	Cable (Europa)	Color del tornillo
CA Cargado	Negro	Marrón	Amarillo/Latón
CA Neutro	Blanco	Azul	Plata
CA Tierra	Verde/Amarillo	Verde/Amarillo	Verde



- Para evitar un desgaste innecesario y alargar su vida útil, desconecte complemente el producto de la alimentación, mediante el interruptor o desenchufándolo, durante los periodos en los que no se use.
- Cuando utilice este producto en exteriores, use cables de datos y alimentación con protección IP65 (o superior). Asegúrese de proteger los puertos de datos y alimentación que no se usen colocando tapas IP65.

Enlace DMX

El Ovation E-910FC IP funcionará con un controlador DMX usando una conexión serie DMX normal. Hay un manual DMX disponible en www.chauvetprofessional.com.

Conexión DMX

El Ovation E-910FC IP usa una conexión de datos DMX normal para sus personalidades: **1Ch, 4Ch, 6Ch, 8Ch, 11Ch, 13Ch, 14Ch, 17Ch** y **HSV**. Vea el Manual de Usuario para conectar y configurar para funcionamiento DMX.



Cuando utilice este producto en exteriores con ambiente tipo IP65, asegúrese de usar cables de datos con protección IP65 (o superior) y de proteger los puertos que no se usen colocando tapas IP65.

Conexión Maestro/Esclavo

El Ovation E-910FC IP usa la conexión de datos DMX para su modo Maestro/Esclavo. Vea el Manual de Usuario para conectar y configurar para funcionamiento Maestro/Esclavo.

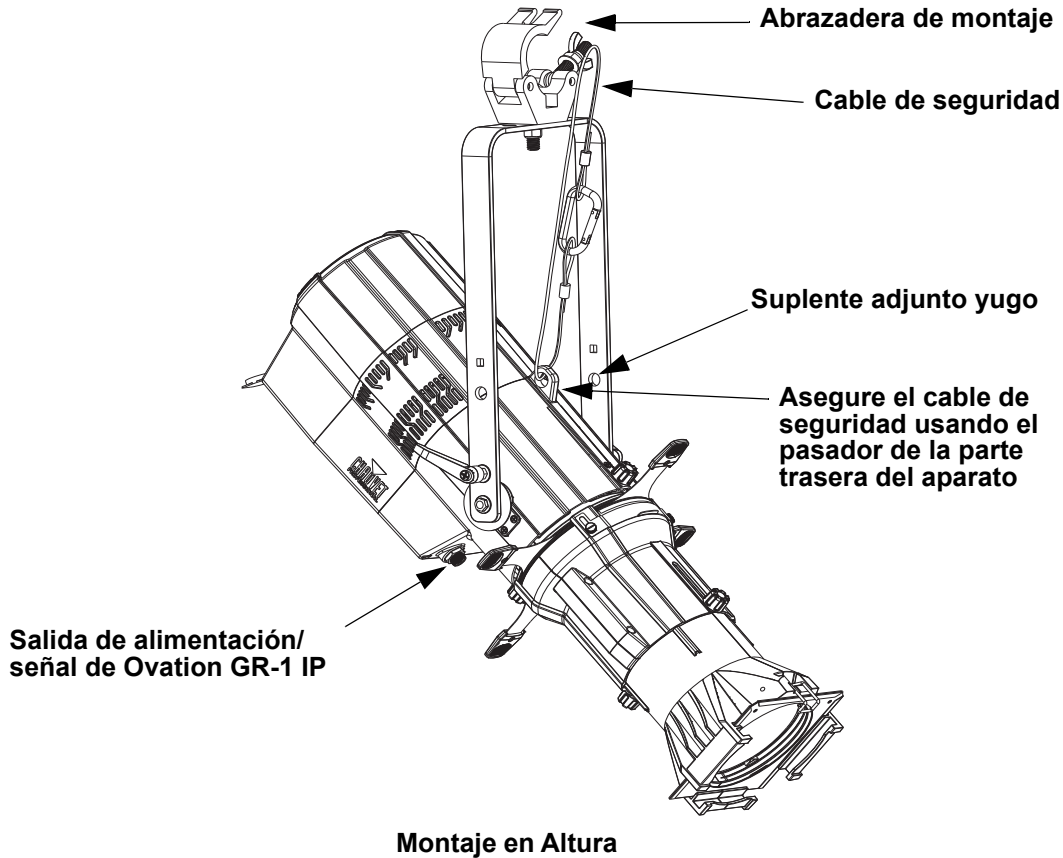
RDM (gestión remota del dispositivo)

Remote Device Management (gestión remota del dispositivo) o RDM, es un estándar que permite a los dispositivos con capacidad DMX una comunicación bidireccional por un cableado DMX existente. El Ovation E-910FC IP admite protocolo RDM, que posibilita información para supervisar cambiar las opciones del mapa de menú. Descargue el manual de usuario de www.chauvetprofessional.com para una información más detallada.

Montaje

Antes de montar este producto, lea las [Notas de Seguridad](#). Asegúrese de que las abrazaderas de montaje son capaces de soportar el peso del producto. Para nuestra línea Chauvet de abrazaderas de montaje, visite <http://trusst.com/productcategory/truss-clamps/>.

Diagrama de Montaje del Producto



Tubos de Lentes

Los siguientes tubos de lentes están disponibles para su compra:

- 19°, 26°, 36° y 50° Marco de Gel (accesorios 6,25"/159 mm)
- 14°, 15°–30° and 25°–50° Zoom Gel frame (7.5 in/191 mm accessories)

Código de acceso

Después de que se le solicite, introduzca el siguiente código de acceso pulsando:

<UP>, <DOWN>, <UP>, <DOWN>, <ENTER>

Este código no se puede cambiar y se debe usar cuando se le solicite.

Rueda de Color Virtual (VCW)

El Ovation E-910FC IP incluye una función de rueda de color virtual llamada Virtual Color Wheel (VCW). Esta función está disponible como modo de control independiente para uso manual y también como canal de control en algunas personalidades DMX del dispositivo. Más de 30 colores premezclados, elaborados por nuestros ingenieros, están disponibles para facilitarle la programación.

Los valores DMX utilizados para mezclar estos colores se indican más abajo. Puede ajustar la intensidad general del dispositivo Ovation para reproducir más fielmente los colores a los que esté habituado. Hay un gráfico a su disposición en nuestro sitio web www.chauvetprofessional.com para comparar nuestros colores premezclados con los colores de gel más populares. Este gráfico sirve solamente para comparar y no implica que nuestros colores premezclados coincidan exactamente con los colores de gel listados.

Tabla de Colores VCW

	R	G	B	A	L
C3050-Md Yellow	233	163	20	123	255
C3040-Lt Yellow	224	158	47	255	231
C3240-Amb Yellow	180	60	0	245	255
C2340-VLt Amber	245	107	81	255	213
C2040-Lt Amber	230	130	62	255	155
C2050-Md Amber	255	0	25	255	194
C2060-Dk Amber	255	0	24	255	150
C1050-Lt Red	255	37	27	30	38
C1080-Md Red	255	4	17	0	0
C1020-NC Pink	238	135	129	255	255
C1030-Md Pink	255	131	120	255	195
C1630-Dk Pink	250	165	123	255	210
C1250-Md Red Amber	255	0	41	195	55
C1060-Dk Red Amber	255	0	45	120	30
C1650-Magenta	255	50	115	255	115
C6170-Dk Magenta	255	35	117	0	0
C6020-Lt Lavender	127	122	142	251	255
C5030-Lt Blue	0	255	197	100	255
C5020-VLt Blue	158	255	189	0	255
C5430-Lt Blue2	0	255	180	0	243
C5070-Blue	43	255	210	43	36
C5050-Md Blue	0	255	218	0	181
C5060-Dk Blue	0	210	206	0	118
C5690-Indigo	65	0	210	40	55
C5080-VdK Blue	0	203	230	0	40
C5081-VdK Blue2	40	199	240	0	45
C4370-Yel Green	27	255	28	16	104
C4070-Green	49	255	55	120	90
C4550-Turquoise	60	230	109	0	245
C4560-Aqua	20	240	126	36	255
C4570-Blue Green	0	255	79	30	53



Nota: Los colores listados son interpretaciones simuladas de la emisión de color generada en comparación con otros productos incandescentes similares. Chauvet no garantiza la exactitud del color emitido.

Gráfico de temperaturas de color

	R	G	B	A	L
2800K	187	130	97	255	255
3000K	177	145	105	255	255
3200K	168	157	113	255	255
3500K	163	177	124	255	255
4000K	151	195	141	255	255
4500K	145	214	157	255	255
5000K	138	227	170	255	255
5600K	130	239	184	255	255
6000K	126	246	193	255	255
6500K	120	254	201	255	255



Nota: Las temperaturas de color que aparecen arriba son interpretaciones simuladas de la emisión de color producida cuando se compara con una lámpara de tungsteno a la temperatura de color especificada. Chauvet no garantiza la exactitud del color emitido.

Descripción del Panel de Control

Botón	Función
<MENU>	Salte del menú o función actual
<ENTER>	Habilita el menú actualmente en pantalla o configura el valor seleccionado actualmente dentro de la función seleccionada
<UP>	Navega hacia arriba por la lista de menú o aumenta el valor numérico cuando está en una función
<DOWN>	Navega hacia abajo por la lista de menú o disminuye el valor numérico cuando está en una función

Mapa de Menú

Nivel Principal	Niveles de Programación	Descripción
DMX Address	001–512*	Selecciona la dirección de inicio (canal más alto restringido a la elección de personalidad)
	1Ch	1-canales: atenuador
	4Ch	4-canales: atenuador, VCW, temperatura de color, gobo giratorio
	6Ch	6-canales: RGBAL, gobo giratorio
	8Ch	8-canales: atenuador, RGBAL, estroboscopio, gobo giratorio
	11Ch	11-canales: 16 bits atenuador, RGBAL, estroboscopio, VCW, temperatura de color, gobo giratorio
	13Ch	13-canales: atenuador, RGBAL, estroboscopio, VCW, temperatura de color, programas automáticos, velocidad, modo atenuador, gobo giratorio
	14Ch	14-canales: 16 bits atenuador, 16 bits RGBAL, estroboscopio, gobo giratorio
	17Ch	17-canales: 16 bits atenuador, 16 bits RGBAL, estroboscopio, VCW, temperatura de color, gobo giratorio
	HSV	4-canales: matiz, saturación, valor, gobo giratorio

Nivel Principal	Niveles de Programación		Descripción		
Virtual Color Wheel	Virtual Color Wheel	C3050-Md Yellow	Dimmer 0–255	Rueda de Color Virtual (VCW) simula la emisión de cada gel de color de Rosco. Consulte la sección Tabla de Colores VCW para ver los valores específicos.	
		C3040-Lt Yellow			
		C3240-Amb Yellow			
		C2340-VLt Amber			
		C2040-Lt Amber			
		C2050-Md Amber			
		C2060-Dk Amber			
		C1050-Lt Red			
		C1080-Md Red			
		C1020-NC Pink			
		C1030-Md Pink			
		C1630-Dk Pink			
		C1250-Md Red Amber			
		C1060-Dk Red Amber			
		C1650-Magenta			
		C6170-Dk Magenta			
		C6020-Lt Lavender			
		C5030-Lt Blue			
		C5020-VLt Blue			
		C5430-Lt Blue2			
		C5070-Blue			
		C5050-Md Blue			
		C5060-Dk Blue			
		C5690- Indigo			
		C5080-VDk Blue			
		C5081-VDk Blue2			
C4370-Yel Green					
C4070-Green					
C4550-Turquoise					
C4560-Aqua					
C4570-Blue Green					
Virtual Color Wheel	Color Temperature	2800K	Dimmer 0–255	Temperaturas de color blanco Emula una lámpara de tungsteno a la temperatura de color especificada. Consulte el apartado Gráfico de temperaturas de color para ver valores concretos.	
		3000K			
		3200K			
		3500K			
		4000K			
		4500K			
		5000K			
		5600K			
		6000K			
		6500K			
	Manual Color Mixer		Red	0–255	Combina rojo, verde, azul, ámbar y lime para generar un color personalizado (0–100%)
			Green		
			Blue		
			Amber		
			Lime		
	Auto Show	Auto 1–5	1–100	Selecciona programas automáticos y velocidad	
	Red Shift	On		Imita la atenuación de una lámpara halógena	
		Off			
	Gobo Rotator	0–255		Índice de gobo giratorio	
Master/ Slave	Master		Modo DMX (maestro)		
	Slave		Modo esclavo		

Nivel Principal	Niveles de Programación		Descripción	
Dimmer Curve	Linear		Configura la curva del atenuador	
	Square			
	I Square			
	SCurve			
Dimmer Mode	Off		Atenuador lineal	
	Dimmer 1–3		Curvas de atenuador rápido (Dimmer 1) a lento (Dimmer 3)	
White Balance	Off		Utiliza la configuración de blanco predeterminada de fábrica	
	Manual	Red	0–255	Establece el valor máximo de LED rojo
		Green		Establece el valor máximo de LED verde
		Blue		Establece el valor máximo de LED azul
		Amber		Establece el valor máximo de LED ámbar
		Lime		Establece el valor máximo de LED lime
LED Frequency	600Hz		Selecciona la frecuencia de emisión PWM	
	1200Hz			
	2000Hz			
	4000Hz			
	6000Hz			
	25KHz			
Fan Mode	Auto		Establece el ventilador a modo auto	
	On		Establece el ventilador a modo siempre encendido	
	Off		Establece el ventilador siempre apagado	
	Silent		Establece el ventilador en silencio	
Back Light	10S		Retro-iluminación de la pantalla se apaga después de 10 segundos de inactividad	
	30S		Retro-iluminación de la pantalla se apaga después de 30 segundos de inactividad	
	2Min		Retro-iluminación de la pantalla se apaga después de 2 minutos de inactividad	
	Always On		Retro-iluminación de la pantalla siempre activa	
Key Lock	On		Activa o desactiva el código de acceso	
	Off			
Gobo Power	On		Activa o desactiva el salida de alimentación de gobo	
	Off			
Information	Fixture Hours	____H	Muestra el nombre total de las horas del producto	
	LED Hours	____H	Muestra el total de horas que las luces LED han estado encendidas	
	Version	V_ _	Muestra instalada la versión de firmware	
	UID	_____	Muestra el UID # del producto	
Reset Factory	No		Reinicia a la configuración de fábrica	
	Yes			



ADVERTENCIA: Cuando funcione en Modo Ventilador: Apagado, el aparato estará más caliente al tacto que si se usan otros modos de ventilador. Utilice en equipo de protección adecuado para evitar quemaduras. Mantenga una distancia de seguridad con objetos inflamable.



AVISO: Cuando funcione en Modo Ventilador: Apagado, bajará el rendimiento del aparato y no alcanzará los mismos niveles que cuando use otros modos de ventilador.

ES

DMX Values

17Ch

Canal	Función	Valor	Porcentaje/Configuración
1	Atenuador	000 ⇔ 255	0–100%
2	Atenuador fino	000 ⇔ 255	0–100%
3	Rojo	000 ⇔ 255	0–100%
4	Rojo fino	000 ⇔ 255	0–100%
5	Verde	000 ⇔ 255	0–100%
6	Verde fino	000 ⇔ 255	0–100%
7	Azul	000 ⇔ 255	0–100%
8	Azul fino	000 ⇔ 255	0–100%
9	Ámbar	000 ⇔ 255	0–100%
10	Ámbar fino	000 ⇔ 255	0–100%
11	Lime	000 ⇔ 255	0–100%
12	Lime fino	000 ⇔ 255	0–100%
13	Estroboscopio	000 ⇔ 010 011 ⇔ 255	Sin función Estroboscopio, lento a rápido
14	Rueda de color virtual	000 ⇔ 255	Vea Tabla de Colores VCW
15	Temperatura de color	000 ⇔ 255	Vea Gráfico de temperaturas de color
16	Gobo giratorio	000 ⇔ 127	índice de gobo giratorio
		128 ⇔ 190	Giro en el sentido horario, lento a rápido
		191 ⇔ 192	Parada
		193 ⇔ 255	Giro en el sentido anti-horario, lento a rápido
17	Control (mantenga pulsado durante 3 segundos)	000 ⇔ 007	Sin función
		008 ⇔ 015	Reinicia a el atenuador
		016 ⇔ 023	Cambio de rojo encendido
		024 ⇔ 031	Cambio de rojo apagado
		032 ⇔ 039	Curva de atenuador curva-S
		040 ⇔ 047	Curva de atenuador lineal
		048 ⇔ 055	Curva de atenuador cuadrado
		056 ⇔ 063	Curva de atenuador cuadrado inverso
		064 ⇔ 071	Modo atenuador apagado
		072 ⇔ 079	Modo atenuador 1
		080 ⇔ 087	Modo atenuador 2
		088 ⇔ 095	Modo atenuador 3
		096 ⇔ 103	Establece el ventilador a modo auto
		104 ⇔ 111	Establece el ventilador a modo siempre encendido
112 ⇔ 119	Establece el ventilador siempre apagado		
120 ⇔ 127	Establece el ventilador en silencio		
		128 ⇔ 225	Sin función

14Ch

Canal	Función	Valor	Porcentaje/Configuración
1	Atenuador	000 ⇔ 255	0–100%
2	Atenuador fino	000 ⇔ 255	0–100%
3	Rojo	000 ⇔ 255	0–100%
4	Rojo fino	000 ⇔ 255	0–100%
5	Verde	000 ⇔ 255	0–100%
6	Verde fino	000 ⇔ 255	0–100%
7	Azul	000 ⇔ 255	0–100%
8	Azul fino	000 ⇔ 255	0–100%
9	Ámbar	000 ⇔ 255	0–100%
10	Ámbar fino	000 ⇔ 255	0–100%
11	Lime	000 ⇔ 255	0–100%
12	Lime fino	000 ⇔ 255	0–100%

Canal	Función	Valor	Porcentaje/Configuración
13	Estroboscopio	000 ⇔ 010	Sin función
		011 ⇔ 255	Estroboscopio, lento a rápido
14	Gobo giratorio	000 ⇔ 127	índice de gobo giratorio
		128 ⇔ 190	Giro en el sentido horario, lento a rápido
		191 ⇔ 192	Parada
		193 ⇔ 255	Giro en el sentido anti-horario, lento a rápido

13Ch

Canal	Función	Valor	Porcentaje/Configuración
1	Atenuador	000 ⇔ 255	0–100%
2	Rojo	000 ⇔ 255	0–100%
3	Verde	000 ⇔ 255	0–100%
4	Azul	000 ⇔ 255	0–100%
5	Ámbar	000 ⇔ 255	0–100%
6	Lime	000 ⇔ 255	0–100%
7	Estroboscopio	000 ⇔ 010	Sin función
		011 ⇔ 255	Estroboscopio, lento a rápido
8	Rueda de color virtual	000 ⇔ 255	Vea Tabla de Colores VCW
9	Temperatura de color	000 ⇔ 255	Vea Gráfico de temperaturas de color
10	Programas automáticos	000 ⇔ 010	Sin función
		011 ⇔ 060	Programa automático 1
		061 ⇔ 110	Programa automático 2
		111 ⇔ 160	Programa automático 3
		161 ⇔ 210	Programa automático 4
		211 ⇔ 255	Programa automático 5
11	Velocidad de programa	000 ⇔ 255	Velocidad de programa, lento a rápido
12	Control (Mantenga pulsado durante 3 segundos)	000 ⇔ 007	Sin función
		008 ⇔ 015	Reinicia a el atenuador
		016 ⇔ 023	Cambio de rojo encendido
		024 ⇔ 031	Cambio de rojo apagado
		032 ⇔ 039	Curva de atenuador curva-S
		040 ⇔ 047	Curva de atenuador lineal
		048 ⇔ 055	Curva de atenuador cuadrado
		056 ⇔ 063	Curva de atenuador cuadrado inverso
		064 ⇔ 071	Modo atenuador apagado
		072 ⇔ 079	Modo atenuador 1
		080 ⇔ 087	Modo atenuador 2
		088 ⇔ 095	Modo atenuador 3
		096 ⇔ 103	Establece el ventilador a modo auto
		104 ⇔ 111	Establece el ventilador a modo siempre encendido
		112 ⇔ 119	Establece el ventilador siempre apagado
		120 ⇔ 127	Establece el ventilador en silencio
128 ⇔ 225	Sin función		
13	Gobo giratorio	000 ⇔ 127	índice de gobo giratorio
		128 ⇔ 190	Giro en el sentido horario, lento a rápido
		191 ⇔ 192	Parada
		193 ⇔ 255	Giro en el sentido anti-horario, lento a rápido

ES

11Ch

Canal	Función	Valor	Porcentaje/Configuración
1	Atenuador	000 ⇔ 255	0–100%
2	Atenuador fino	000 ⇔ 255	0–100%
3	Rojo	000 ⇔ 255	0–100%
4	Verde	000 ⇔ 255	0–100%
5	Azul	000 ⇔ 255	0–100%
6	Ámbar	000 ⇔ 255	0–100%
7	Lime	000 ⇔ 255	0–100%
8	Estroboscopio	000 ⇔ 010	Sin función
		011 ⇔ 255	Estroboscopio, lento a rápido
9	Rueda de color virtual	000 ⇔ 255	Vea Tabla de Colores VCW
10	Temperatura de color	000 ⇔ 255	Vea Gráfico de temperaturas de color
11	Gobo giratorio	000 ⇔ 127	índice de gobo giratorio
		128 ⇔ 190	Giro en el sentido horario, lento a rápido
		191 ⇔ 192	Parada
		193 ⇔ 255	Giro en el sentido anti-horario, lento a rápido

8Ch

Canal	Función	Valor	Porcentaje/Configuración
1	Atenuador	000 ⇔ 255	0–100%
2	Rojo	000 ⇔ 255	0–100%
3	Verde	000 ⇔ 255	0–100%
4	Azul	000 ⇔ 255	0–100%
5	Ámbar	000 ⇔ 255	0–100%
6	Lime	000 ⇔ 255	0–100%
7	Estroboscopio	000 ⇔ 010	Sin función
		011 ⇔ 255	Estroboscopio, lento a rápido
8	Gobo giratorio	000 ⇔ 127	índice de gobo giratorio
		128 ⇔ 190	Giro en el sentido horario, lento a rápido
		191 ⇔ 192	Parada
		193 ⇔ 255	Giro en el sentido anti-horario, lento a rápido

6Ch

Canal	Función	Valor	Porcentaje/Configuración
1	Rojo	000 ⇔ 255	0–100%
2	Verde	000 ⇔ 255	0–100%
3	Azul	000 ⇔ 255	0–100%
4	Ámbar	000 ⇔ 255	0–100%
5	Lime	000 ⇔ 255	0–100%
6	Gobo giratorio	000 ⇔ 127	índice de gobo giratorio
		128 ⇔ 190	Giro en el sentido horario, lento a rápido
		191 ⇔ 192	Parada
		193 ⇔ 255	Giro en el sentido anti-horario, lento a rápido

4Ch

Canal	Función	Valor	Porcentaje/Configuración
1	Atenuador	000 ⇄ 255	0–100%
2	Rueda de color virtual	000 ⇄ 255	Vea Tabla de Colores VCW
3	Temperatura de color	000 ⇄ 255	Vea Gráfico de temperaturas de color
4	Gobo giratorio	000 ⇄ 127	índice de gobo giratorio
		128 ⇄ 190	Giro en el sentido horario, lento a rápido
		191 ⇄ 192	Parada
		193 ⇄ 255	Giro en el sentido anti-horario, lento a rápido

1Ch

Canal	Función	Valor	Porcentaje/Configuración
1	Atenuador	000 ⇄ 255	0–100% (configura el color desde la pantalla de menú)

HSV

Canal	Función	Valor	Porcentaje/Configuración
1	Matiz	000 ⇄ 255	0–100%
2	Saturación	000 ⇄ 255	0–100%
3	Valor	000 ⇄ 255	0–100%
4	Gobo giratorio	000 ⇄ 127	índice de gobo giratorio
		128 ⇄ 190	Giro en el sentido horario, lento a rápido
		191 ⇄ 192	Parada
		193 ⇄ 255	Giro en el sentido anti-horario, lento a rápido

À Propos de ce Manuel

Le Manuel de Référence du Ovation E-910FC IP (MR) reprend des informations de base sur cet appareil notamment en matière de connexions, montage, options de menu et valeurs DMX. Télécharger le Manuel d'Utilisation sur www.chauvetprofessional.com pour de plus amples informations.

Clause de Non-Responsabilité

Les informations et caractéristiques contenues dans ce manuel sont sujettes à changement sans préavis.

GARANTIE LIMITÉE

VEUILLEZ VISITER NOTRE SITE INTERNET POUR CONSULTER LES MODALITÉS D'ENREGISTREMENT DE LA GARANTIE ET LES CONDITIONS GÉNÉRALES COMPLÈTES.

Pour les clients aux États-Unis et au Mexique: www.chauvetlighting.com/warranty-registration.

Pour les clients du Royaume-Uni, de la République d'Irlande, de la Belgique, des Pays-Bas, du Luxembourg, de la France et de l'Allemagne: www.chauvetlighting.eu/warranty-registration/.

Chauvet garantit que cet appareil est exempt de défauts de matériaux et de fabrication dans des conditions normales d'utilisation, pendant la période spécifiée dans la garantie limitée complète consultable sur notre site Internet et sous réserve des exclusions et limitations qui y sont énoncées. Cette garantie ne s'applique qu'à l'acheteur initial du produit et n'est pas transférable. Pour exercer les droits prévus par cette garantie, vous devez fournir une preuve d'achat sous la forme d'un reçu de vente original d'un revendeur autorisé qui indique le nom du produit et la date d'achat. **IL N'EXISTE AUCUNE AUTRE GARANTIE EXPRESSE OU IMPLICITE.** Cette garantie vous confère des droits légaux spécifique. Vous pouvez également bénéficier d'autres droits qui varient selon les états et les pays. Cette garantie n'est valable qu'aux États-Unis, au Royaume-Uni, en République d'Irlande, en Belgique, aux Pays-Bas, au Luxembourg, en France, en Allemagne et au Mexique. Pour connaître les conditions de garantie dans d'autres pays, veuillez consulter votre revendeur local.

Consignes de Sécurité

- N'ouvrez PAS cet appareil. Il ne contient aucun composant susceptible d'être réparé par l'utilisateur.
- Ne regardez PAS la source lumineuse lorsque l'appareil fonctionne.
- N'immergez PAS ce produit (IP 65). Un usage normal en extérieur est autorisé.
- Ne laissez AUCUNE source inflammable dans un rayon de 50 cm de l'appareil lorsque celui-ci fonctionne.
- N'utilisez PAS cet appareil si le boîtier, les lentilles ou les câbles vous semblent endommagés.
- Ne connectez PAS cet appareil ni à un gradateur ni à un rhéostat.
- ATTENTION : le boîtier de cet appareil est brûlant lors du fonctionnement. Montez toujours cet appareil dans un endroit bien ventilé, à au moins, 20 pouces (50 cm) des surfaces adjacentes.
- ATTENTION : Lorsque l'appareil est transféré d'un environnement à température extrême à un autre (par exemple d'un camion froid vers une salle de bal chaude et humide), de la condensation peut se former sur les composants électriques internes. Pour éviter de causer des dommages, laissez l'appareil s'acclimater entièrement au milieu environnant avant de le mettre sous tension.
- Ne convient pas aux installations permanentes en extérieur sur des sites sujets à des conditions environnementales extrêmes. Cela inclut par exemple :
 - L'exposition à un environnement marin ou à une solution saline (à moins de 4,8 kilomètres d'un corps d'eau salée).
 - Lorsque les températures moyennes hautes ou basses du site dépassent les plages de températures indiquées dans ce manuel.
 - Les sites qui sont sujets aux inondations ou qui présentent un risque d'être ensevelis sous la neige.
 - Tout autre endroit où le produit risque d'être soumis à des rayonnements extrêmes ou à des substances caustiques.
- Utilisez TOUJOURS un câble de sécurité lorsque vous montez cet appareil en hauteur.
- Connectez UNIQUEMENT cet appareil à un circuit protégé et relié à la terre.
- Transportez/Suspendez cet appareil UNIQUEMENT par le support de montage dont il est doté.
- Durant les périodes de non-utilisation, pour éviter toute usure inutile et pour prolonger la durée de vie, déconnectez entièrement l'appareil en le débranchant de l'alimentation électrique ou en coupant le disjoncteur.
- En cas de sérieux problèmes de fonctionnement, arrêtez le système immédiatement.
- La température ambiante maximale supportée par cet appareil est de 113 °F (45 °C). Ne le faites pas fonctionner à des températures plus élevées.

Conformité FCC

Cet appareil est conforme à la partie 15, sous-partie B du règlement de la FCC. L'utilisation est soumise aux deux conditions suivantes :

1. Cet appareil ne doit pas causer d'interférences nuisibles, et
2. Cet appareil doit accepter toutes les interférences reçues, y compris celles pouvant entraîner un fonctionnement indésirable.

Tout changement ou modification non expressément approuvé par l'autorité responsable de la conformité pourrait annuler le droit de l'utilisateur à utiliser l'équipement.

Contact

En dehors des États-Unis, du Royaume-Uni, de l'Irlande, du Benelux, de la France, de l'Allemagne, ou du Mexique, contactez votre fournisseur si vous avez besoin d'assistance ou de retourner votre appareil. Consultez le site [Contact Us](#) pour trouver nos coordonnées.

Ce Qui est Inclus

- Ovation E-910FC IP
- Seetronic Powerkon IP65 cable de alimentación
- Manuel de Référence



S'il y a un film de protection sur le filtre soft-focus, il faut l'enlever avant de l'utiliser. Le filtre est situé dans un support dans la fente métallique du gobo.

Alimentation CA

Cet appareil est doté d'une alimentation universelle prenant en charge toute tension d'entrée comprise entre 100 et 240 VCA, 50/60 Hz.

Connexion Électrique

Vous pouvez connecter entre eux jusqu'à 7 Ovation E-910FC IP à 120 V, 11 unités à 208 V, ou 12 unités à 230 V. Ne dépassez jamais cette limite. Vous pouvez vous procurer séparément des cordons d'alimentation.

Prise CA

Connexion	Câble (États-Unis)	Câble (Europe)	Couleur de la vis
Conducteur CA	Noir	Marron	Jaune/Cuivré
Neutre CA	Blanc	Bleu	Argenté
Terre CA	Vert/Jaune	Vert/Jaune	Vert



- **Durant les périodes de non-utilisation, pour éviter toute usure inutile et pour prolonger la durée de vie, déconnectez-entièrement l'appareil en le débranchant de l'alimentation électrique ou en coupant le disjoncteur.**
- **Lors de l'utilisation de cet appareil en environnement extérieur, utilisez des câbles de d'alimentation et de données certifiés IP65 au minimum. Assurez-vous de protéger les ports d'alimentation et de données non utilisés avec les couvercles IP 65 fournis.**

Raccordement DMX

Le Ovation E-910FC IP fonctionnera avec un jeu d'orgues DMX au moyen de connexions DMX en série standard. Une introduction au DMX est à votre disposition sur www.chauvetprofessional.com.

Connexion DMX

Le Ovation E-910FC IP utilise une connexion de données DMX standard pour ses personnalités DMX: **1Ch, 4Ch, 6Ch, 8Ch, 11Ch, 13Ch, 14Ch, 17Ch** et **HSV**. Consultez le Manuel d'Utilisation pour connecter et configurer le système DMX.



Lors de l'utilisation de cet appareil dans un environnement extérieur de type IP65, assurez-vous d'utiliser des câbles certifiés IP65 (ou mieux) et de protéger les ports non utilisés avec les couvercles IP65 inclus.

Connexion Maître/ Esclave

Le Ovation E-910FC IP utilise une connexion de données DMX pour son mode Maître/Esclave. Consultez le Manuel d'Utilisation pour connecter et configurer le mode de fonctionnement Maître/Esclave.

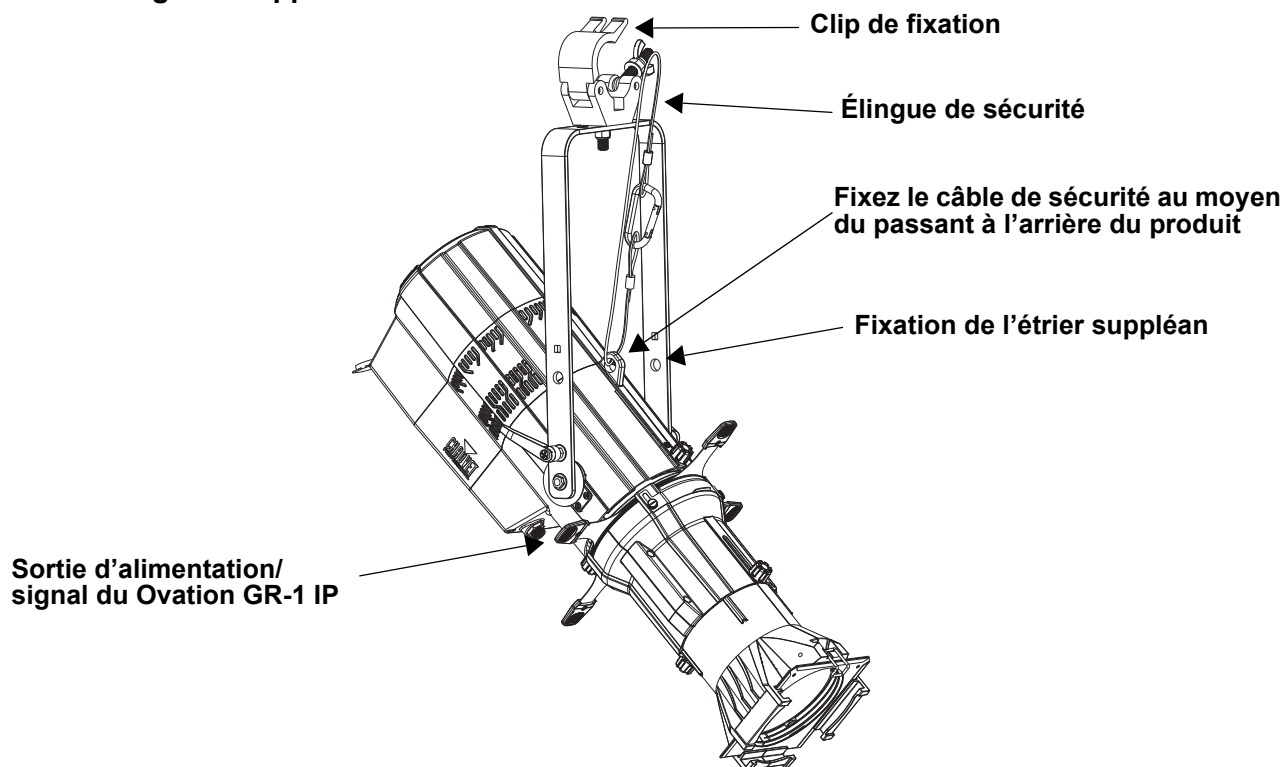
RDM (Gestion des périphériques à distance)

Le protocole RDM (gestion des périphériques à distance) est un standard pour la communication bidirectionnelle des appareils dotés de fonctions DMX dans un câblage DMX existant. Le Ovation E-910FC IP supporte le protocole RDM permettant un retour d'information pour la surveillance et des changements des options de menu. Veuillez télécharger le manuel de l'utilisateur à partir du site internet www.chauvetprofessional.com pour plus de détails.

Installation

Avant de monter cet appareil, lisez et assimilez les [Consignes de Sécurité](#). Veillez à ce que les fixations sont capables de supporter le poids de l'unité. Découvrez notre gamme de fixations Chauvet sur <http://trusst.com/productcategory/truss-clamps/>.

Schéma de Montage de l'Appareil



Montage en Hauteur

Tubes de Lentilles

Les tubes de lentilles suivantes sont disponibles à l'achat:

- 19°, 26°, 36°, et 50° Gélatine (accessoires 6,25 pouces/159 mm)
- 14°, 15°–30° et 25°–50° Zoom Gélatine (accessoires 7, 5 pouces/191 mm)

Code d'accès

Une fois affiché, saisissez le code d'accès suivant comme suit:

<UP>, <DOWN>, <UP>, <DOWN>, <ENTER>

Ce code ne peut pas être modifié et doit être saisi sur demande.

Roue de Couleurs Virtuelles (VCW)

Le Ovation E-910FC IP dispose d'une fonction appelée Roue de Couleur Virtuelle (VCW - Virtual Color Wheel). Cette fonction est disponible en mode de contrôle autonome pour une utilisation manuelle mais également en tant que canal de contrôle dans certaines personnalités DMX. Plus de 30 couleurs pré-mélangées, personnalisées par nos ingénieurs, sont disponibles pour faciliter la programmation.

Les valeurs DMX utilisées pour mélanger ces couleurs sont indiquées ci-dessous. Vous pouvez ajuster l'intensité globale du Ovation afin de reproduire plus fidèlement les couleurs que vous avez l'habitude d'utiliser. Un graphique est disponible sur notre site Web à l'adresse www.chauvetprofessional.com pour comparer nos couleurs pré-mélangées avec des couleurs de gel populaires. Ce tableau est fourni uniquement à des fins de comparaison et ne certifie pas que nos couleurs pré-mélangées correspondent aux couleurs de gel énumérées.

Gamme de couleurs

	R	G	B	A	L
C3050-Md Yellow	233	163	20	123	255
C3040-Lt Yellow	224	158	47	255	231
C3240-Amb Yellow	180	60	0	245	255
C2340-VLt Amber	245	107	81	255	213
C2040-Lt Amber	230	130	62	255	155
C2050-Md Amber	255	0	25	255	194
C2060-Dk Amber	255	0	24	255	150
C1050-Lt Red	255	37	27	30	38
C1080-Md Red	255	4	17	0	0
C1020-NC Pink	238	135	129	255	255
C1030-Md Pink	255	131	120	255	195
C1630-Dk Pink	250	165	123	255	210
C1250-Md Red Amber	255	0	41	195	55
C1060-Dk Red Amber	255	0	45	120	30
C1650-Magenta	255	50	115	255	115
C6170-Dk Magenta	255	35	117	0	0
C6020-Lt Lavender	127	122	142	251	255
C5030-Lt Blue	0	255	197	100	255
C5020-VLt Blue	158	255	189	0	255
C5430-Lt Blue2	0	255	180	0	243
C5070-Blue	43	255	210	43	36
C5050-Md Blue	0	255	218	0	181
C5060-Dk Blue	0	210	206	0	118
C5690-Indigo	65	0	210	40	55
C5080-VDk Blue	0	203	230	0	40
C5081-VdK Blue2	40	199	240	0	45
C4370-Yel Green	27	255	28	16	104
C4070-Green	49	255	55	120	90
C4550-Turquoise	60	230	109	0	245
C4560-Aqua	20	240	126	36	255
C4570-Blue Green	0	255	79	30	53



Remarque: Les couleurs ci-dessus sont des rendus simulés de couleurs produits sur base des couleurs émises par les appareils à incandescence. Chauvet ne peut garantir l'exactitude du rendu d'une couleur.

Gamme des températures de couleur

	R	G	B	A	L
2800K	187	130	97	255	255
3000K	177	145	105	255	255
3200K	168	157	113	255	255
3500K	163	177	124	255	255
4000K	151	195	141	255	255
4500K	145	214	157	255	255
5000K	138	227	170	255	255
5600K	130	239	184	255	255
6000K	126	246	193	255	255
6500K	120	254	201	255	255



Remarque: Les températures de couleur ci-dessus sont des rendus simulés de la sortie de couleur effectivement générée par comparaison avec une lampe tungstène à la température de couleur spécifiée. Chauvet ne donne aucune garantie sur la précision de la sortie de couleur.

Description du Tableau de Commandes

Bouton	Fonction
<MENU>	Permet la sortie du menu ou de la fonction en cours
<ENTER>	Permet l'affichage du menu en cours ou permet de configurer la valeur en cours dans la fonction sélectionnée
<UP>	Permet de parcourir les listes ou les menus vers le haut, dans une fonction permet d'augmenter les valeurs numériques
<DOWN>	Permet de parcourir les listes ou les menus vers le bas, dans une fonction permet de diminuer les valeurs numériques

Tableau de Menu

Niveau Principal	Niveaux de Programmation	Description
DMX Address	001–512*	Permet de sélectionner l'adresse de démarrage (le canal le plus élevé est restreint à la personnalité choisie)
DMX Channel	1Ch	1-canaux: gradateur
	4Ch	4-canaux: gradateur, VCW, température de couleur, rotation de gobo
	6Ch	6-canaux: RGBAL, rotation de gobo
	8Ch	8-canaux: gradateur, RGBAL, stroboscope, rotation de gobo
	11Ch	11-canaux: gradateur 16-bit, RGBAL, stroboscope, VCW, température de couleur, rotation de gobo
	13Ch	13-canaux: gradateur, RGBAL, stroboscope, VCW, température de couleur, programmes, vitesse, mode gradation, rotation de gobo
	14Ch	14-canaux: gradateur 16-bit, RGBAL 16-bit, stroboscope, rotation de gobo
	17Ch	17-canaux: gradateur 16-bit, RGBAL 16-bit, stroboscope, VCW, température de couleur, rotation de gobo
	HSV	4-canaux: teinte, saturation, valeur, rotation de gobo

Niveau Principal	Niveaux de Programmation		Description		
Virtual Color Wheel	Virtual Color Wheel	C3050-Md Yellow	Dimmer 0–255	Roue de Couleurs Virtuelles (VCW) simule le rendu des gélatines de couleur de Rosco. Consultez la section Gamme de couleurs pour en connaître les valeurs spécifiques.	
		C3040-Lt Yellow			
		C3240-Amb Yellow			
		C2340-VLt Amber			
		C2040-Lt Amber			
		C2050-Md Amber			
		C2060-Dk Amber			
		C1050-Lt Red			
		C1080-Md Red			
		C1020-NC Pink			
		C1030-Md Pink			
		C1630-Dk Pink			
		C1250-Md Red Amber			
		C1060-Dk Red Amber			
		C1650-Magenta			
		C6170-Dk Magenta			
		C6020-Lt Lavender			
		C5030-Lt Blue			
		C5020-VLt Blue			
		C5430-Lt Blue2			
		C5070-Blue			
		C5050-Md Blue			
		C5060-Dk Blue			
		C5690- Indigo			
		C5080-VDk Blue			
		C5081-VDk Blue2			
C4370-Yel Green					
C4070-Green					
C4550-Turquoise					
C4560-Aqua					
C4570-Blue Green					
Virtual Color Wheel	Color Temperature	2800K	Dimmer 0–255	Températures de couleur de blanc prédéfinies. Simule une lampe tungstène à la température de couleur spécifiée. Consultez la section Gamme des températures de couleur pour les valeurs spécifiques.	
		3000K			
		3200K			
		3500K			
		4000K			
		4500K			
		5000K			
		5600K			
		6000K			
		6500K			
	Manual Color Mixer		Red	0–255	Combine les couleurs rouge, vert, bleu, ambre et lime pour un résultat personnalisé (0–100%)
			Green		
			Blue		
			Amber		
			Lime		
Auto Show	Auto 1–5	1–100	Sélectionne les programmes automatiques et vitesse		
Red Shift	On		Imite la gradation des lampes halogènes		
	Off				
Gobo Rotator	0–255		Index de rotation de gobo		
Master/ Slave	Master		Recevez le signal DMX du contrôleur DMX (maître)		
	Slave		Recevoir le signal de l'unité maître (esclave)		

Niveau Principal	Niveaux de Programmation		Description
Dimmer Curve	Linear		Définir la courbe de gradation
	Square		
	I Square		
	SCurve		
Dimmer Mode	Off		Gradateur linéaire
	Dimmer 1–3		Courbes de gradation rapide (Dimmer 1) à lent (Dimmer 3)
White Balance	Manual	Off	Gradateur linéaire
		Red	Utilise le paramétrage de blanc défini en usine
		Green	Définit la valeur maximale de LED rouge
		Blue	Définit la valeur maximale de LED verte
		Amber	Définit la valeur maximale de LED bleue
		Lime	Définit la valeur maximale de LED ambre
LED Frequency	0–255		Permet de sélectionner la fréquence de sortie MLI
	600Hz		
	1200Hz		
	2000Hz		
	4000Hz		
	6000Hz		
Fan Mode	Auto		Réglez le ventilateur en mode automatique
	On		Réglez le mode de ventilateur toujours
	Off		Règle le ventilateur sur toujours
	Silent		Règle le ventilateur sur silencieux
Back Light	10S		Désactive l'affichage rétro-éclairage après 10 secondes d'inactivité
	30S		Désactive l'affichage rétro-éclairage après 30 secondes d'inactivité
	2Min		Désactive l'affichage rétro-éclairage après 2 minutes d'inactivité
	Always On		Affichage rétro-éclairage toujours active
Key Lock	On		Permet d'activer ou désactiver le mot de passe
	Off		
Gobo Power	On		Permet d'activer ou désactiver la sortie d'alimentation du gobo
	Off		
Information	Fixture Hours	----_H	Affiche le nombre total des heures du produit
	LED Hours	----_H	Affiche le nombre total d'heures pendant lesquelles les lumières LED ont été allumées
	Version	V_._	Affiche la version du logiciel installée
	UID	-----	Affiche UID actuel
Reset Factory	No		Permet de réinitialiser aux valeurs par défaut d'usine
	Yes		



ATTENTION: Lors du fonctionnement en mode ventilateur: Lorsque le ventilateur est à l'arrêt, l'appareil devient plus chaud au toucher que lors de l'utilisation des autres modes de ventilateur. Utilisez un équipement de protection approprié pour prévenir des brûlures. Tenir à l'écart de tout objet inflammable.



REMARQUE: Lors du fonctionnement en mode ventilateur: Lorsque le ventilateur est à l'arrêt, le rendement de l'appareil est réduit et ne peut pas atteindre les mêmes niveaux que lors de l'utilisation des autres modes de ventilateur.

DMX Values

17Ch

Canal	Fonction	Valeur	Pourcentage/Configuration
1	Gradateur	000 ⇔ 255	0–100%
2	Gradateur fin	000 ⇔ 255	0–100%
3	Rouge	000 ⇔ 255	0–100%
4	Rouge fin	000 ⇔ 255	0–100%
5	Vert	000 ⇔ 255	0–100%
6	Vert fin	000 ⇔ 255	0–100%
7	Bleu	000 ⇔ 255	0–100%
8	Bleu fin	000 ⇔ 255	0–100%
9	Ambre	000 ⇔ 255	0–100%
10	Ambre fin	000 ⇔ 255	0–100%
11	Lime	000 ⇔ 255	0–100%
12	Lime fin	000 ⇔ 255	0–100%
13	Stroboscope	000 ⇔ 010 011 ⇔ 255	Pas de fonction Stroboscope, lent à rapide
14	Roue de couleurs virtuelles	000 ⇔ 255	Consultez la section Gamme de couleurs
15	Température de la couleur	000 ⇔ 255	Consultez la section Gamme des températures de couleur
16	Rotation de gobo	000 ⇔ 127 128 ⇔ 190 191 ⇔ 192 193 ⇔ 255	Index de rotation de gobo Rotation horaire, lent à rapide Arrêt Rotation antihoraire, lent à rapide
17	Contrôle (Maintenez la position pendant 3 secondes, puis relâchez)	000 ⇔ 007 008 ⇔ 015 016 ⇔ 023 024 ⇔ 031 032 ⇔ 039 040 ⇔ 047 048 ⇔ 055 056 ⇔ 063 064 ⇔ 071 072 ⇔ 079 080 ⇔ 087 088 ⇔ 095 096 ⇔ 103 104 ⇔ 111 112 ⇔ 119 120 ⇔ 127 128 ⇔ 225	Pas de fonction Réinitialiser le ventilateur décalage rouge activé décalage rouge désactivé Courbe de gradateur S-Curve Courbe de gradation carrée linéaire Courbe de gradation carrée Courbe de gradateur carrée inverse Mode vitesse du ventilateur désactivé Mode vitesse du ventilateur 1 Mode vitesse du ventilateur 2 Mode vitesse du ventilateur 3 Réglez le ventilateur en mode automatique Réglez le mode de ventilateur toujours Règle le ventilateur sur toujours Règle le ventilateur sur silencieux Pas de fonction

FR

14Ch

Canal	Fonction	Valeur	Pourcentage/Configuration
1	Gradateur	000 ⇔ 255	0–100%
2	Gradateur fin	000 ⇔ 255	0–100%
3	Rouge	000 ⇔ 255	0–100%
4	Rouge fin	000 ⇔ 255	0–100%
5	Vert	000 ⇔ 255	0–100%
6	Vert fin	000 ⇔ 255	0–100%
7	Bleu	000 ⇔ 255	0–100%
8	Bleu fin	000 ⇔ 255	0–100%
9	Ambre	000 ⇔ 255	0–100%
10	Ambre fin	000 ⇔ 255	0–100%
11	Lime	000 ⇔ 255	0–100%
12	Lime fin	000 ⇔ 255	0–100%
13	Stroboscope	000 ⇔ 010 011 ⇔ 255	Pas de fonction Stroboscope, lent à rapide
14	Rotation de gobo	000 ⇔ 127 128 ⇔ 190 191 ⇔ 192 193 ⇔ 255	Index de rotation de gobo Rotation horaire, lent à rapide Arrêt Rotation antihoraire, lent à rapide

13Ch

Canal	Fonction	Valeur	Pourcentage/Configuration
1	Gradateur	000 ⇔ 255	0–100%
2	Rouge	000 ⇔ 255	0–100%
3	Vert	000 ⇔ 255	0–100%
4	Bleu	000 ⇔ 255	0–100%
5	Ambre	000 ⇔ 255	0–100%
6	Lime	000 ⇔ 255	0–100%
7	Stroboscope	000 ⇔ 010 011 ⇔ 255	Pas de fonction Stroboscope, lent à rapide
8	Roue de couleurs virtuelles	000 ⇔ 255	Consultez la section Gamme de couleurs
9	Température de la couleur	000 ⇔ 255	Consultez la section Gamme des températures de couleur
10	Programmes automatiques	000 ⇔ 010 011 ⇔ 060 061 ⇔ 110 111 ⇔ 160 161 ⇔ 210 211 ⇔ 255	Pas de fonction Programme automatique 1 Programme automatique 2 Programme automatique 3 Programme automatique 4 Programme automatique 5
11	Vitesse du programme	000 ⇔ 255	0–100%

Canal	Fonction	Valeur	Pourcentage/Configuration
12	Contrôle (Maintenez la position pendant 3 secondes, puis relâchez)	000 ⇔ 007	Pas de fonction
		008 ⇔ 015	Réinitialiser le ventilateur
		016 ⇔ 023	décalage rouge activé
		024 ⇔ 031	décalage rouge désactivé
		032 ⇔ 039	Courbe de gradateur S-Curve
		040 ⇔ 047	Courbe de gradation carrée linéaire
		048 ⇔ 055	Courbe de gradation carrée
		056 ⇔ 063	Courbe de gradateur carrée inverse
		064 ⇔ 071	Mode vitesse du ventilateur désactivé
		072 ⇔ 079	Mode vitesse du ventilateur 1
		080 ⇔ 087	Mode vitesse du ventilateur 2
		088 ⇔ 095	Mode vitesse du ventilateur 3
		096 ⇔ 103	Réglez le ventilateur en mode automatique
		104 ⇔ 111	Réglez le mode de ventilateur toujours
112 ⇔ 119	Règle le ventilateur sur toujours		
120 ⇔ 127	Règle le ventilateur sur silencieux		
128 ⇔ 225	Pas de fonction		
13	Rotation de gobo	000 ⇔ 127	Index de rotation de gobo
		128 ⇔ 190	Rotation horaire, lent à rapide
		191 ⇔ 192	Arrêt
		193 ⇔ 255	Rotation antihoraire, lent à rapide

11Ch

Canal	Fonction	Valeur	Pourcentage/Configuration
1	Gradateur	000 ⇔ 255	0–100%
2	Gradateur	000 ⇔ 255	0–100%
3	Rouge	000 ⇔ 255	0–100%
4	Vert	000 ⇔ 255	0–100%
5	Bleu	000 ⇔ 255	0–100%
6	Ambre	000 ⇔ 255	0–100%
7	Lime	000 ⇔ 255	0–100%
8	Stroboscope	000 ⇔ 010	Pas de fonction
		011 ⇔ 255	Stroboscope, lent à rapide
9	Roue de couleurs virtuelles	000 ⇔ 255	Consultez la section Gamme de couleurs
10	Température de la couleur	000 ⇔ 255	Consultez la section Gamme des températures de couleur
11	Rotation de gobo	000 ⇔ 127	Index de rotation de gobo
		128 ⇔ 190	Rotation horaire, lent à rapide
		191 ⇔ 192	Arrêt
		193 ⇔ 255	Rotation antihoraire, lent à rapide

8Ch

Canal	Fonction	Valeur	Pourcentage/Configuration
1	Gradateur	000 ⇔ 255	0–100%
2	Rouge	000 ⇔ 255	0–100%
3	Vert	000 ⇔ 255	0–100%
4	Bleu	000 ⇔ 255	0–100%
5	Ambre	000 ⇔ 255	0–100%
6	Lime	000 ⇔ 255	0–100%
7	Stroboscope	000 ⇔ 010	Pas de fonction
		011 ⇔ 255	Stroboscope, lent à rapide
8	Rotation de gobo	000 ⇔ 127	Index de rotation de gobo
		128 ⇔ 190	Rotation horaire, lent à rapide
		191 ⇔ 192	Arrêt
		193 ⇔ 255	Rotation antihoraire, lent à rapide

FR

6Ch

Canal	Fonction	Valeur	Pourcentage/Configuration
1	Rouge	000 ⇔ 255	0–100%
2	Vert	000 ⇔ 255	0–100%
3	Bleu	000 ⇔ 255	0–100%
4	Ambre	000 ⇔ 255	0–100%
5	Lime	000 ⇔ 255	0–100%
6	Rotation de gobo	000 ⇔ 127 128 ⇔ 190 191 ⇔ 192 193 ⇔ 255	Index de rotation de gobo Rotation horaire, lent à rapide Arrêt Rotation antihoraire, lent à rapide

4Ch

Canal	Fonction	Valeur	Pourcentage/Configuration
1	Gradateur	000 ⇔ 255	0–100%
2	Roue de couleurs virtuelles	000 ⇔ 255	Consultez la section Gamme de couleurs
3	Température de la couleur	000 ⇔ 255	Consultez la section Gamme des températures de couleur
4	Rotation de gobo	000 ⇔ 127 128 ⇔ 190 191 ⇔ 192 193 ⇔ 255	Index de rotation de gobo Rotation horaire, lent à rapide Arrêt Rotation antihoraire, lent à rapide

1Ch

Canal	Fonction	Valeur	Pourcentage/Configuration
1	Gradateur	000 ⇔ 255	0–100% (couleur définie par le menu)

HSV

Canal	Fonction	Valeur	Pourcentage/Configuration
1	Teint	000 ⇔ 255	0–100%
2	Saturation	000 ⇔ 255	0–100%
3	Valeur	000 ⇔ 255	0–100%
4	Rotation de gobo	000 ⇔ 127 128 ⇔ 190 191 ⇔ 192 193 ⇔ 255	Index de rotation de gobo Rotation horaire, lent à rapide Arrêt Rotation antihoraire, lent à rapide

Über diese Schnellanleitung

In der Schnellanleitung des Ovation E-910FC IP finden Sie die wesentlichen Produktinformationen, wie etwa über den Anschluss, die Montage, Menüoptionen und DMX-Werte des Geräts. Laden Sie für weiterführende Informationen unter www.chauvetprofessional.com das Benutzerhandbuch herunter.

Haftungsausschluss

Die in dieser Anleitung aufgeführten Informationen und Spezifikationen können ohne vorherige Ankündigung geändert werden.

EINGESCHRÄNKTE GARANTIE

ZUR REGISTRIERUNG FÜR GARANTIEANSPRÜCHE UND ZUR EINSICHT IN DIE VOLLSTÄNDIGEN GESCHÄFTSBEDINGUNGEN BESUCHEN SIE BITTE UNSERE WEBSITE.

Für Kunden in den USA und in Mexiko: www.chauvetlighting.com/warranty-registration.

Für Kunden im Vereinigten Königreich, in Irland, Belgien, den Niederlanden, Luxemburg, Frankreich und Deutschland: www.chauvetlighting.eu/warranty-registration/.

Chauvet garantiert für die in der auf unserer Website veröffentlichten vollständigen eingeschränkten Garantie genannten Dauer und unter Vorbehalt der darin genannten Haftungsausschlüsse und -beschränkungen, dass dieses Produkt bei normalen Gebrauch frei von Material- und Verarbeitungsfehlern ist. Diese Garantie erstreckt sich nur auf den Erstkäufer des Produkts und ist nicht übertragbar. Zur Ausübung der unter dieser Garantie gewährten Rechte ist der Kaufbeleg in Form der Originalrechnung von einem autorisierten Händler vorzulegen, in der die Produktbezeichnung und das Kaufdatum vermerkt sein müssen. **ES BESTEHEN KEINE WEITEREN AUSDRÜCKLICHEN ODER STILLSCHWEIGENDEN GARANTIEN.** Diese Garantie gibt Ihnen besondere gesetzliche Rechte. Und Sie haben möglicherweise weitere Rechte, die von Land zu Land unterschiedlich sein können. Diese Garantie ist nur in den USA, im Vereinigten Königreich, in Irland, Belgien, den Niederlanden, Luxemburg, Frankreich, Deutschland und Mexiko gültig. Bezüglich der Garantiebestimmungen in anderen Ländern wenden Sie sich bitte an Ihren lokalen Händler.

Sicherheitshinweise

- Dieses Gerät NICHT öffnen. Die eingebauten Komponenten sind für den Kunden wartungsfrei.
- NIEMALS in die Lichtquelle schauen, während das Gerät eingeschaltet ist.
- Dieses Gerät darf NICHT in Wasser eingetaucht werden (IP65). Eine regelmäßige Verwendung dieses Geräts im Freien ist möglich.
- Belassen Sie KEINE entflammaren Materialien in einem Umkreis von 50 cm dieses Geräts, während es in Betrieb oder an der Stromversorgung angeschlossen ist.
- NIEMALS das Gerät in Betrieb nehmen, wenn Ihnen das Gehäuse, die Linsen oder das Kabel beschädigt erscheinen.
- Schließen Sie dieses Gerät NICHT an einen Dimmer oder Regelwiderstand an.
- VORSICHT: Das Gehäuse dieses Produkts kann während des Betriebs heiß werden. Installieren Sie das Gerät an einem Ort mit ausreichender Belüftung und mit einem Abstand von mindestens 50 cm zu den angrenzenden Flächen.
- VORSICHT: Beim Transport des Geräts von einer Umgebung mit außergewöhnlichen Temperaturen in eine andere solche Umgebung (z. B. aus einem kalten Transporter in einen warm-feuchten Ballsaal) kann an der im Gerät enthaltenen Elektronik Wasser kondensieren. Um einen Defekt zu vermeiden, muss sich das Gerät erst in der neuen Umgebung akklimatisiert haben, bevor es an die Stromversorgung angeschlossen werden kann.
- Dieses Geräts eignet sich nicht für eine permanente Installation im Außenbereich an Orten mit extremen Umweltbedingungen. Dies beinhaltet insbesondere:
 - Exposition gegenüber Meeres-/salzhaltigen Umgebungen (innerhalb von 5 km eines salzhaltigen Gewässers).
 - Orte, an denen die normalen Niedrigst- oder Höchsttemperaturen außerhalb des im Handbuch angegebenen Temperaturbereichs liegen.
 - Orte, die überflutet oder zugeschnitten werden können.
 - Sonstige Bereiche, in denen das Produkt einer großen Strahlung oder ätzenden Substanzen ausgesetzt ist.
- VERWENDEN Sie bei Montage über Kopf immer ein Sicherheitsseil.
- Schließen Sie dieses Produkt NUR an einen mit der Erde verbundenen und geschützten Stromkreis an.
- Das Gerät NUR an den Hänge-/Befestigungsbügeln oder Griffen tragen.
- Um unnötigen Verschleiß zu vermeiden und die Lebensdauer des Geräts zu verlängern, trennen Sie während längerer Perioden des Nichtgebrauchs das Gerät vom Stromnetz – entweder per Trennschalter oder durch Herausziehen des Steckers aus der Steckdose.
- Bei ernsthaften Betriebsproblemen stoppen Sie umgehend die Verwendung des Geräts.
- Die maximal zulässige Umgebungstemperatur beträgt 45 °C. Nehmen Sie das Gerät nicht bei höheren Temperaturen in Betrieb.

FCC-Konformität

Dieses Gerät erfüllt Teil 15, Teil B, der FCC-Bestimmungen. Der Betrieb ist an folgende zwei Bedingungen geknüpft:

1. Dieses Gerät darf keine schädlichen Interferenzen verursachen, und
2. Dieses Gerät muss empfangende Interferenzen aufnehmen können, auch Interferenzen, die eventuell einen unerwünschten Betrieb verursachen.

Jegliche Änderungen oder Modifikationen, die nicht ausdrücklich von der Partei genehmigt wurden, die für die Compliance zuständig ist, könnten die Berechtigung des Benutzers zum Betrieb dieses Geräts aufheben.

Kontakt

Kunden außerhalb der USA, GB, Irland, Mexiko, Frankreichs, Deutschlands oder der Benelux-Staaten wenden sich an ihren Lieferanten, um den Kundensupport in Anspruch zu nehmen oder ein Produkt zurückzuschicken. Kunden innerhalb der USA, GB, Irland, Mexiko, Frankreichs, Deutschlands oder der Benelux-Länder verwenden bitte die Informationen unter [Contact Us](#) am Ende dieser Schnellanleitung.

Packungsinhalt

- Ovation E-910FC IP
- Schnellanleitung
- Netzkabel Seetronic Powerkon IP65



Ist auf dem Weichzeichner-Filter eine Schutzfolie, dann muss diese vor dem Gebrauch entfernt werden. Der Filter befindet sich in einer Halterung im Metall-Gobo-Schlitz.

Wechselstrom

Dieses Gerät verfügt über ein Vorschaltgerät, das automatisch die anliegende Spannung erkennt, sobald der Netzstecker in die Schukosteckdose gesteckt wird, und kann mit einer Eingangsspannung von 100~240 V AC, 50/60 Hz arbeiten.

Serienschaltung der Geräte

Sie können bis zu 7 Ovation E-910FC IP Geräte bei 120 V AC, 11 Geräte bei 208 V und 12 Geräte bei 230 V AC in Serie schalten. Diese Anzahl niemals überschreiten! Stromkabel für die Serienschaltung können separat erworben werden.

Wechselstromstecker

Anschluss	Draht (USA)	Draht (Europa)	Schraubenfarbe
Stromführender AC-Leiter	Schwarz	Braun	Gelb/Messingfarben
AC-Neutralleiter	Weiß	Blau	Silber
AC-Erdungsleiter	Grün/Gelb	Grün/Gelb	Grün



- **Um Verschleiß zu vermeiden und die Lebensdauer des Geräts zu verlängern, trennen Sie während längerer Perioden des Nichtgebrauchs das Gerät vom Stromnetz – entweder per Trennschalter oder durch Herausziehen des Steckers aus der Steckdose.**
- **Vergewissern Sie sich bei einer Verwendung dieses Geräts im Außenbereich, in der die Schutzart IP65 erforderlich ist, dass Stromkabel der Schutzart IP65 (oder höher) verwendet werden und nicht genutzte Anschlüsse mit den angebrachten Abdeckungen der Schutzart IP65 gesichert werden**

DMX-Verbindung

Die Ovation E-910FC IP kann mit einem DMX-Controller betrieben werden, wenn eine 5-polige DMX-Datenverbindung zum Einsatz kommt. Sie können sich eine Einführung in DMX unter www.chauvetprofessional.com herunterladen.

DMX-Anschluss

Die Ovation E-910FC IP nutzt zur Steuerung seiner DMX-Eigenschaften eine 5-polige DMX-Datenverbindung: **1Ch, 4Ch, 6Ch, 8Ch, 11Ch, 13Ch, 14Ch, 17Ch** und **HSV**. Informationen zum Anschließen und Konfigurieren des Geräts für einen DMX-Betrieb finden Sie in der Bedienungsanleitung.



Vergewissern Sie sich bei einer Verwendung dieses Geräts im Außenbereich, in der die Schutzart IP65 erforderlich ist, dass Datenkabel der Schutzart IP65 (oder höher) verwendet werden und nicht genutzte Anschlüsse mit den angebrachten Abdeckungen der Schutzart IP65 gesichert werden.

Master/Slave-Schaltung

Die Ovation E-910FC IP verwendet für seinen Master/Slave-Modus eine DMX-Datenverbindung. Informationen zum Anschließen und Konfigurieren des Geräts für einen Master/Slave-Betrieb finden Sie in der Bedienungsanleitung.

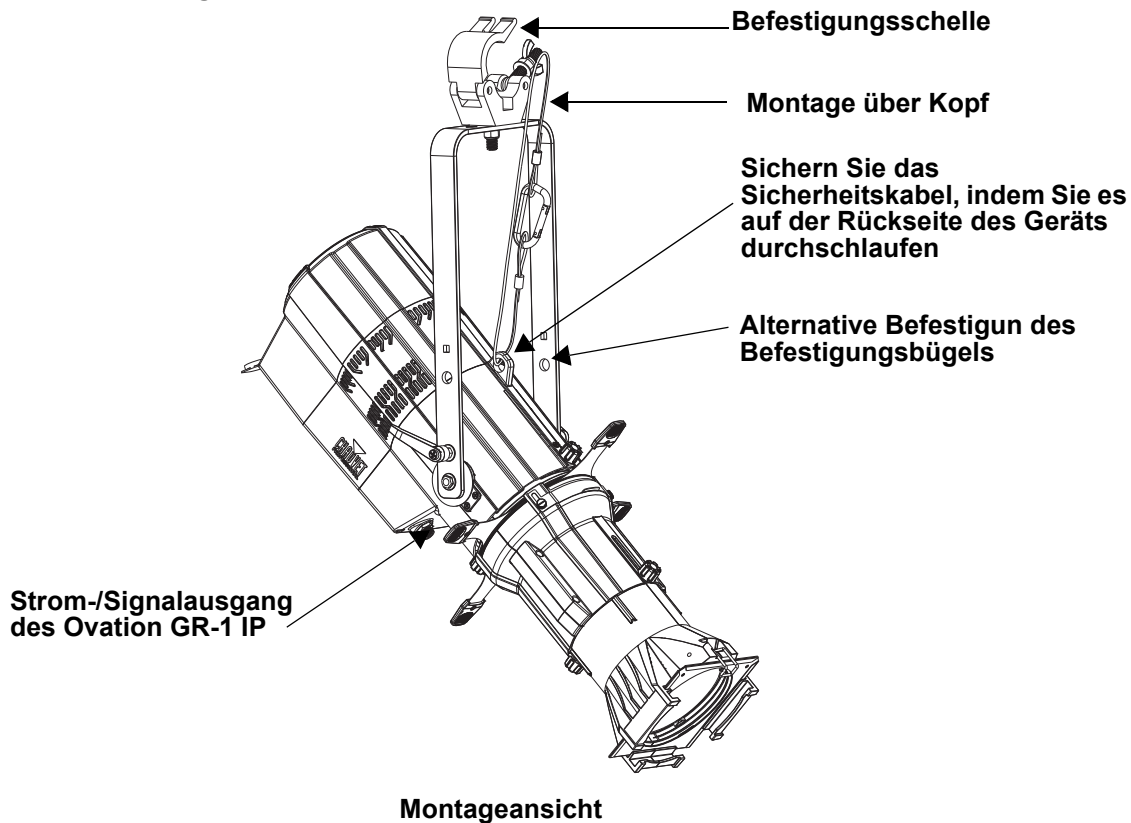
RDM (Remote Device Management)

Remote Device Management bzw. RDM ist ein Standard, mit dem DMX-aktivierte Geräte bidirektional entlang bestehender DMX-Kabel kommunizieren können. Die Ovation E-910FC IP unterstützt das RDM-Protokoll, über das Feedback zur Überwachung der Änderungen der Menüoptionen gegeben wird. Laden Sie für weiterführende Informationen unter www.chauvetprofessional.com das Benutzerhandbuch herunter.

Montage

Lesen Sie vor der Montage dieses Geräts die [Sicherheitshinweise](#). Mindestens einen Befestigungspunkt pro Gerät verwenden. Stellen Sie sicher, dass die Befestigungsklemmen dafür ausgelegt sind, das Produktgewicht tragen zu können. Informationen zu unserer CHAUVET-Produktlinie für Befestigungsklemmen finden Sie unter <http://trusst.com/productcategory/truss-clamps/>.

Ansicht Gerätemontage



Montageansicht

Linsenröhren

Folgende Linsenröhren sind erhältlich:

- 19°, 26°, 36°, and 50° mit Gel-Rahmen (Zubehör für 6,25"/159 mm)
- 14°, 15°–30° and 25°–50°, Zoom-Gel-Rahmen (Zubehör für 7,5"/191 mm)

Sicherheitscode

Geben Sie nach der entsprechenden Aufforderung den folgenden Sicherheitscode ein, indem Sie diese Tasten betätigen **<UP>**, **<DOWN>**, **<UP>**, **<DOWN>**, **<ENTER>**

Dieser Sicherheitscode kann nicht geändert werden und ist nach entsprechender Aufforderung immer zu verwenden.

Virtuelles Farbrad (VCW)

Der Ovation E-910FC IP verfügt über eine Funktion mit der Bezeichnung Virtuelles Farbrad (Virtual Color Wheel, VCW). Diese Funktion steht als Stand-alone-Steuerungsmodus für die manuelle Bedienung sowie als Steuerungskanal bei ausgewählten DMX-Eigenschaften zur Verfügung. Es sind mehr als 30 von unseren Technikern vorgemischte Farben verfügbar, um die Programmierung einfacher zu gestalten. Die zum Mischen dieser Farben verwendeten DMX-Werte sind nachstehend angegeben. Sie können die Gesamtintensität des Ovation anpassen, um die Farben, mit denen Sie vertraut sind, besser nachzubilden. Auf unserer Website www.chauvetprofessional.com finden Sie eine Tabelle, mit deren Hilfe Sie unsere vorgemischten Farben mit beliebigen Gel-Farben vergleichen können. Diese Tabelle dient einzig Vergleichszwecken und ist keine Gewähr dafür, dass unsere vorgemischten Farben mit einer der aufgeführten Gel-Farben übereinstimmen.

Tabelle: Virtuelles Farbrad

	R	G	B	A	L
C3050-Md Yellow	233	163	20	123	255
C3040-Lt Yellow	224	158	47	255	231
C3240-Amb Yellow	180	60	0	245	255
C2340-VLt Amber	245	107	81	255	213

C2040-Lt Amber	230	130	62	255	155
C2050-Md Amber	255	0	25	255	194
C2060-Dk Amber	255	0	24	255	150
C1050-Lt Red	255	37	27	30	38
C1080-Md Red	255	4	17	0	0
C1020-NC Pink	238	135	129	255	255
C1030-Md Pink	255	131	120	255	195
C1630-Dk Pink	250	165	123	255	210
C1250-Md Red Amber	255	0	41	195	55
C1060-Dk Red Amber	255	0	45	120	30
C1650-Magenta	255	50	115	255	115
C6170-Dk Magenta	255	35	117	0	0
C6020-Lt Lavender	127	122	142	251	255
C5030-Lt Blue	0	255	197	100	255
C5020-VLt Blue	158	255	189	0	255
C5430-Lt Blue2	0	255	180	0	243
C5070-Blue	43	255	210	43	36
C5050-Md Blue	0	255	218	0	181
C5060-Dk Blue	0	210	206	0	118
C5690-Indigo	65	0	210	40	55
C5080-VDk Blue	0	203	230	0	40
C5081-VdK Blue2	40	199	240	0	45
C4370-Yel Green	27	255	28	16	104
C4070-Green	49	255	55	120	90
C4550-Turquoise	60	230	109	0	245
C4560-Aqua	20	240	126	36	255
C4570-Blue Green	0	255	79	30	53



Hinweis: Die oben genannten Farben sind simulierte Ähnlichkeiten der Farbausgabe im Vergleich zu anderen, ähnlich weißglühenden Produkten. Chauvet gibt keine Gewährleistung bezüglich der Genauigkeit der Farbausgabe.

Farbtemperatur-Tabelle

	R	G	B	A	L
2800K	187	130	97	255	255
3000K	177	145	105	255	255
3200K	168	157	113	255	255
3500K	163	177	124	255	255
4000K	151	195	141	255	255
4500K	145	214	157	255	255
5000K	138	227	170	255	255
5600K	130	239	184	255	255
6000K	126	246	193	255	255
6500K	120	254	201	255	255



Hinweis: Die oben genannten Farbtemperaturen sind simulierte Ähnlichkeiten der Farbausgabe im Vergleich zu einer Wolframlampe mit spezifizierter Farbtemperatur. Chauvet gibt keine Gewährleistung bezüglich der Genauigkeit der Farbausgabe.

Descripción del Panel de Control

Taste	Funktion
<MENU>	Damit verlassen Sie das aktuelle Menü oder die Funktion.
<ENTER>	Damit wird das aktuell angezeigte Menü aktiviert oder der aktuell ausgewählte Wert einer Funktion eingestellt
<UP>	Damit navigieren Sie sich durch die Menüpunkte nach oben und erhöhen den numerischen Wert der entsprechenden Funktion.
<DOWN>	Damit navigieren Sie sich durch die Menüpunkte nach unten und verringern den numerischen Wert der entsprechenden Funktion.

Menüstruktur

Hauptebene	Programmirebenen	Beschreibung
DMX Address	001–512*	Wählt die DMX-Adresse aus (der höchste Kanal ist auf die gewählte Eigenschaft beschränkt)
DMX Channel	1Ch	1-Kanal: Dimmer
	4Ch	4-Kanal: Dimmer, VCW, Farbtemperatur, Gobo rotator
	6Ch	6-Kanal: RGBAL, Gobo rotator
	8Ch	8-Kanal: Dimmer, RGBAL, Stroboskopeffekt, Gobo rotator
	11Ch	11-Kanal: 16-Bit-Dimmer, RGBAL, Stroboskopeffekt, VCW, Farbtemperatur, Gobo rotator
	13Ch	13-Kanal: Dimmer, RGBAL, Stroboskopeffekt, VCW, Farbtemperatur, Auto-Show, Auto-Geschwindigkeit, Dimmungs-Geschwindigkeits-Modus, Gobo rotator
	14Ch	14-Kanal: 16-Bit-Dimmer, 16-Bit-RGBW, Stroboskopeffekt, Gobo rotator
	17Ch	17-Kanal: 16-Bit-Dimmer, 16-Bit-RGBAL, Stroboskopeffekt, VCW, Farbtemperatur, Gobo rotator
	HSV	4-Kanal: Farbton, Farbsättigung, Farbwert, Gobo rotator

Hauptebene	Programmirebenen		Beschreibung					
Virtual Color Wheel	Virtual Color Wheel	C3050-Md Yellow	Dimmer 0–255	Das Virtuelle Farbrad simuliert die Ausgabe jeder Gelb-Farbe. Für spezifische Werte, siehe den Abschnitt Tabelle: Virtuelles Farbrad				
		C3040-Lt Yellow						
		C3240-Amb Yellow						
		C2340-VLt Amber						
		C2040-Lt Amber						
		C2050-Md Amber						
		C2060-Dk Amber						
		C1050-Lt Red						
		C1080-Md Red						
		C1020-NC Pink						
		C1030-Md Pink						
		C1630-Dk Pink						
		C1250-Md Red Amber						
		C1060-Dk Red Amber						
		C1650-Magenta						
		C6170-Dk Magenta						
		C6020-Lt Lavender						
		C5030-Lt Blue						
		C5020-VLt Blue						
		C5430-Lt Blue2						
		C5070-Blue						
		C5050-Md Blue						
		C5060-Dk Blue						
		C5690- Indigo						
		C5080-VDk Blue						
		C5081-VDk Blue2						
		C4370-Yel Green						
C4070-Green								
C4550-Turquoise								
C4560-Aqua								
C4570-Blue Green								
Virtual Color Wheel	Color Temperature	2800K	Dimmer 0–255	Voreinstellung der weißen Farbtemperaturen. Bildet eine Wolframlampe mit der spezifizierten Farbtemperatur ab. Für spezifische Werte, siehe den Abschnitt Farbtemperatur-Tabelle .				
		3000K						
		3200K						
		3500K						
		4000K						
		4500K						
		5000K						
		5600K						
		6000K						
		6500K						
		Manual Color Mixer			Manual Color Mixer	Red	0–255	Kombiniert rote, grüne, blaue, bernsteinfarbene und neongrüne Farben zu einer benutzerdefinierten Farbe (0–100%)
						Green		
						Blue		
						Amber		
Lime								
Auto Show	Auto 1–5	1–100	Wählt das Auto-Programm und die Programm-Geschwindigkeit aus					
Red Shift	On		Ahmt die Dimmung einer Halogenlampe nach					
	Off							
Gobo Rotator	0–255		Index/Geschwindigkeit der Gobo-Rotation					
Master/ Slave	Master		Empfängt DMX-Signal vom DMX-Controller (Master)					
	Slave		Empfängt das DMX-Signal vom Master-Gerät					

Hauptebene	Programmirebenen		Beschreibung	
Dimmer Curve	Linear		Stellt die Dimmungskurve ein	
	Square			
	I Square			
	SCurve			
Dimmer Mode	Off		Linearer Dimmer	
	Dimmer 1–3		Dimmungskurven Dimmer 1 (schnell) nach Dimmer 3 (langsam)	
White Balance	Off		Verwendet die werksseitig voreingestellte Standardeinstellung "Weiß"	
	Manual	Red	000–255	Stellt den maximalen Wert der roten LED ein
		Green		Stellt den maximalen Wert der grünen LED ein
		Blue		Stellt den maximalen Wert der blauen LED ein
		Amber		Stellt den maximalen Wert der bernsteinfarbenen LED ein
		Lime		Stellt den maximalen Wert der neongrünen LED ein
LED Frequency	600Hz		Stellt die PWM-Frequenz ein	
	1200Hz			
	2000Hz			
	4000Hz			
	6000Hz			
	25KHz			
Fan Mode	Auto		Stellt den Lüfter auf den Auto-Modus ein	
	On		Stellt den Lüfter auf den "immer eingeschaltet"-Modus ein	
	Off		Setzt den Lüfter auf immer aus	
	Silent		Stellt den Lüfter auf lautlos	
Back Light	10S		Damit wird die Hintergrundbeleuchtung der Anzeige nach 10 Sekunden Inaktivität ausgeschaltet	
	30S		Damit wird die Hintergrundbeleuchtung der Anzeige nach 30 Sekunden Inaktivität ausgeschaltet	
	2Min		Damit wird die Hintergrundbeleuchtung der Anzeige nach 2 Minuten Inaktivität ausgeschaltet	
	Always On		Hintergrundbeleuchtung immer an	
Key Lock	On		Schaltet den Sicherheitscode ein oder aus	
	Off			
Gobo Power	On		Damit aktivieren oder deaktivieren Sie den Gobo-Leistungsausgang	
	Off			
Information	Fixture Hours	___ _H	Zeigt an, wie lange das Gerät eingeschaltet gewesen ist	
	LED Hours	___ _H	Zeigt die Gesamtstunden an, in denen die LED-Leuchten eingeschaltet waren	
	Version	V_ _	Zeigt die aktuelle Firmware-Version an	
	UID	_____	Zeigt die Geräte-UID an	
Reset Factory	No		Damit stellen Sie das Gerät auf die Werkseinstellungen zurück	
	Yes			



WARNUNG: Wenn Sie im Lüftermodus arbeiten: Aus, wird das Gerät bei Berührung heißer als bei Verwendung anderer Lüftermodi. Verwenden Sie geeignete Schutzausrüstung, um Verbrennungen zu vermeiden. Halten Sie einen Sicherheitsabstand zu brennbaren Gegenständen ein.



HINWEIS: Im Lüftermodus: Aus wird der Ausgang des Geräts reduziert und erreicht nicht die gleichen Pegel wie bei Verwendung anderer Lüftermodi.

DE

DMX-Werte

17Ch

Kanal	Funktion	Wert	Prozent/Einstellung
1	Dimmer	000 ⇔ 255	0–100%
2	Dimmer, fein	000 ⇔ 255	0–100%
3	Rot	000 ⇔ 255	0–100%
4	Rot, fein	000 ⇔ 255	0–100%
5	Grün	000 ⇔ 255	0–100%
6	Grün, fein	000 ⇔ 255	0–100%
7	Blau	000 ⇔ 255	0–100%
8	Blau, fein	000 ⇔ 255	0–100%
9	Bernsteinfarben	000 ⇔ 255	0–100%
10	Bernsteinfarben, fein	000 ⇔ 255	0–100%
11	Neongrün	000 ⇔ 255	0–100%
12	Neongrün, fein	000 ⇔ 255	0–100%
13	Stroboskop	000 ⇔ 010 011 ⇔ 255	Keine Funktion Blitzfrequenz (von langsam nach schnell)
14	Virtuelles Farbrad	000 ⇔ 255	Siehe Tabelle: Virtuelles Farbrad
15	Farbtemperatur	000 ⇔ 255	Siehe Farbtemperatur-Tabelle
16	Gobo Rotator	000 ⇔ 127 128 ⇔ 190 191 ⇔ 192 193 ⇔ 255	Index Im Uhrzeigersinn, von schnell nach langsam Anhalten Entgegen dem Uhrzeigersinn, von langsam nach schnell
17	Steuerung (3 Sekunden gedrückt halten)	000 ⇔ 007 008 ⇔ 015 016 ⇔ 023 024 ⇔ 031 032 ⇔ 039 040 ⇔ 047 048 ⇔ 055 056 ⇔ 063 064 ⇔ 071 072 ⇔ 079 080 ⇔ 087 088 ⇔ 095 096 ⇔ 103 104 ⇔ 111 112 ⇔ 119 120 ⇔ 127 128 ⇔ 225	Keine Funktion Dimmer reset Rotverschiebung ein Rotverschiebung ab S-Kurve Dimmerkurve Lineare Dimmerkurve Quadratische Dimmerkurve Inverse quadratische Dimmerkurve Dimmer-Geschwindigkeitsmodus aus Dimmer-Geschwindigkeitsmodus 1 Dimmer-Geschwindigkeitsmodus 2 Dimmer-Geschwindigkeitsmodus 3 Stellt den Lüfter auf den Auto-Modus ein Stellt den Lüfter auf den "immer eingeschaltet"-Modus ein Setzt den Lüfter auf immer aus Stellt den Lüfter auf lautlos Keine Funktion

14Ch

Kanal	Funktion	Wert	Prozent/Einstellung
1	Dimmer	000 ⇔ 255	0–100%
2	Dimmer, fein	000 ⇔ 255	0–100%
3	Rot	000 ⇔ 255	0–100%
4	Rot, fein	000 ⇔ 255	0–100%
5	Grün	000 ⇔ 255	0–100%
6	Grün, fein	000 ⇔ 255	0–100%
7	Blau	000 ⇔ 255	0–100%
8	Blau, fein	000 ⇔ 255	0–100%
9	Bernsteinfarben	000 ⇔ 255	0–100%
10	Bernsteinfarben, fein	000 ⇔ 255	0–100%
11	Neongrün	000 ⇔ 255	0–100%
12	Neongrün, fein	000 ⇔ 255	0–100%

Kanal	Funktion	Wert	Prozent/Einstellung
13	Stroboskop	000 ⇔ 010	Keine Funktion
		011 ⇔ 255	Blitzfrequenz (von langsam nach schnell)
14	Gobo Rotator	000 ⇔ 127	Index
		128 ⇔ 190	Im Uhrzeigersinn, von schnell nach langsam
		191 ⇔ 192	Anhalten
		193 ⇔ 255	Entgegen dem Uhrzeigersinn, von langsam nach schnell

13Ch

Kanal	Funktion	Wert	Prozent/Einstellung
1	Dimmer	000 ⇔ 255	0–100%
2	Rot	000 ⇔ 255	0–100%
3	Grün	000 ⇔ 255	0–100%
4	Blau	000 ⇔ 255	0–100%
5	Bernsteinfarben	000 ⇔ 255	0–100%
6	Neongrün	000 ⇔ 255	0–100%
7	Stroboskop	000 ⇔ 010	Keine Funktion
		011 ⇔ 255	Blitzfrequenz (von langsam nach schnell)
8	Virtuelles Farbrad	000 ⇔ 255	Siehe Tabelle: Virtuelles Farbrad
9	Farbtemperatur	000 ⇔ 255	Siehe Farbtemperatur-Tabelle
10	Auto-Programme	000 ⇔ 010	Keine Funktion
		011 ⇔ 060	Auto-Programm 1
		061 ⇔ 110	Auto-Programm 2
		111 ⇔ 160	Auto-Programm 3
		161 ⇔ 210	Auto-Programm 4
		211 ⇔ 255	Auto-Programm 5
11	Auto-Geschwindigkeit	000 ⇔ 255	Auto-Geschwindigkeit (von langsam nach schnell)
12	Steuerung (3 Sekunden gedrückt halten)	000 ⇔ 007	Keine Funktion
		008 ⇔ 015	Dimmer reset
		016 ⇔ 023	Rotverschiebung ein
		024 ⇔ 031	Rotverschiebung ab
		032 ⇔ 039	S-Kurve Dimmerkurve
		040 ⇔ 047	Lineare Dimmerkurve
		048 ⇔ 055	Quadratische Dimmerkurve
		056 ⇔ 063	Inverse quadratische Dimmerkurve
		064 ⇔ 071	Dimmer-Geschwindigkeitsmodus aus
		072 ⇔ 079	Dimmer-Geschwindigkeitsmodus 1
		080 ⇔ 087	Dimmer-Geschwindigkeitsmodus 2
		088 ⇔ 095	Dimmer-Geschwindigkeitsmodus 3
		096 ⇔ 103	Stellt den Lüfter auf den Auto-Modus ein
		104 ⇔ 111	Stellt den Lüfter auf den "immer eingeschaltet"-Modus ein
112 ⇔ 119	Setzt den Lüfter auf immer aus		
120 ⇔ 127	Stellt den Lüfter auf lautlos		
128 ⇔ 225	Keine Funktion		
13	Gobo Rotator	000 ⇔ 127	Index
		128 ⇔ 190	Im Uhrzeigersinn, von schnell nach langsam
		191 ⇔ 192	Anhalten
		193 ⇔ 255	Entgegen dem Uhrzeigersinn, von langsam nach schnell

DE

11Ch

Kanal	Funktion	Wert	Prozent/Einstellung
1	Dimmer	000 ⇔ 255	0–100%
2	Dimmer, fein	000 ⇔ 255	0–100%
3	Rot	000 ⇔ 255	0–100%
4	Grün	000 ⇔ 255	0–100%
5	Blau	000 ⇔ 255	0–100%
6	Bernsteinfarben	000 ⇔ 255	0–100%
7	Neongrün	000 ⇔ 255	0–100%
8	Stroboskop	000 ⇔ 010 011 ⇔ 255	Keine Funktion Blitzfrequenz (von langsam nach schnell)
9	Virtuelles Farbrad	000 ⇔ 255	Siehe Tabelle: Virtuelles Farbrad
10	Farbtemperatur	000 ⇔ 255	Siehe Farbtemperatur-Tabelle
11	Gobo Rotator	000 ⇔ 127 128 ⇔ 190 191 ⇔ 192 193 ⇔ 255	Index Im Uhrzeigersinn, von schnell nach langsam Anhalten Entgegen dem Uhrzeigersinn, von langsam nach schnell

8Ch

Kanal	Funktion	Wert	Prozent/Einstellung
1	Dimmer	000 ⇔ 255	0–100%
2	Rot	000 ⇔ 255	0–100%
3	Grün	000 ⇔ 255	0–100%
4	Blau	000 ⇔ 255	0–100%
5	Bernsteinfarben	000 ⇔ 255	0–100%
6	Neongrün	000 ⇔ 255	0–100%
7	Stroboskop	000 ⇔ 010 011 ⇔ 255	Keine Funktion Blitzfrequenz (von langsam nach schnell)
8	Gobo Rotator	000 ⇔ 127 128 ⇔ 190 191 ⇔ 192 193 ⇔ 255	Index Im Uhrzeigersinn, von schnell nach langsam Anhalten Entgegen dem Uhrzeigersinn, von langsam nach schnell

6Ch

Kanal	Funktion	Wert	Prozent/Einstellung
1	Rot	000 ⇔ 255	0–100%
2	Grün	000 ⇔ 255	0–100%
3	Blau	000 ⇔ 255	0–100%
4	Bernsteinfarben	000 ⇔ 255	0–100%
5	Neongrün	000 ⇔ 255	0–100%
6	Gobo Rotator	000 ⇔ 127 128 ⇔ 190 191 ⇔ 192 193 ⇔ 255	Index Im Uhrzeigersinn, von schnell nach langsam Anhalten Entgegen dem Uhrzeigersinn, von langsam nach schnell

4Ch

Kanal	Funktion	Wert	Prozent/Einstellung
1	Dimmer	000 ⇔ 255	0–100%
2	Virtuelles Farbrad	000 ⇔ 255	Siehe Tabelle: Virtuelles Farbrad
3	Farbtemperatur	000 ⇔ 255	Siehe Farbtemperatur-Tabelle
4	Gobo Rotator	000 ⇔ 127 128 ⇔ 190 191 ⇔ 192 193 ⇔ 255	Index Im Uhrzeigersinn, von schnell nach langsam Anhalten Entgegen dem Uhrzeigersinn, von langsam nach schnell

1Ch

Kanal	Funktion	Wert	Prozent/Einstellung
1	Dimmer	000 ⇔ 255	0–100% (Farbeinstellung über Menü)

HSV

Kanal	Funktion	Wert	Prozent/Einstellung
1	Schattierung	000 ⇔ 255	0–100%
2	Sättigung	000 ⇔ 255	0–100%
3	Wert	000 ⇔ 255	0–100%
4	Gobo Rotator	000 ⇔ 127	Index
		128 ⇔ 190	Im Uhrzeigersinn, von schnell nach langsam
		191 ⇔ 192	Anhalten
		193 ⇔ 255	Entgegen dem Uhrzeigersinn, von langsam nach schnell

Over deze handleiding

De Ovation E-910FC IP Beknopte Handleiding (BH) bevat basisinformatie over het product, zoals aansluiting, montage, menu-opties en DMX-waarden. Download de gebruikershandleiding op www.chauvetprofessional.com voor meer informatie.

Disclaimer

De informatie en specificaties in deze BH kunnen zonder voorafgaande kennisgeving worden gewijzigd.

BEPERKTE GARANTIE

GA NAAR ONZE WEBSITE VOOR REGISTRATIE VAN DE GARANTIE EN DE VOLLEDIGE ALGEMENE VOORWAARDEN.

Voor klanten in de Verenigde Staten en Mexico: www.chauvetlighting.com/warranty-registration.

Voor klanten in het Verenigd Koninkrijk, Ierland, België, Nederland, Luxemburg, Frankrijk en Duitsland: www.chauvetlighting.eu/warranty-registration/.

Chauvet garandeert dat dit product bij normaal gebruik vrij zal blijven van defecten in materiaal en vakmanschap, voor de opgegeven periode en onder voorbehoud van de uitzonderingen en beperkingen die zijn uiteengezet in de volledige beperkte garantie op onze website. Deze garantie geldt uitsluitend voor de oorspronkelijke koper van het product en is niet overdraagbaar. Om onder deze garantie rechten uit te oefenen, moet u een aankoopbewijs overleggen in de vorm van een origineel verkoopbewijs van een geautoriseerde dealer, waarop de naam van het product en de aankoopdatum zichtbaar zijn. ER ZIJN GEEN ANDERE EXPLICIETE OF IMPLICIETE GARANTIES. Deze garantie geeft u specifieke wettelijke rechten. Mogelijk heeft u ook andere rechten die van staat tot staat en van land tot land verschillen. Deze garantie is uitsluitend geldig in de Verenigde Staten, het Verenigd Koninkrijk, Ierland, België, Nederland, Luxemburg, Frankrijk, Duitsland en Mexico. Neem contact op met uw lokale verkoper voor garantievoorwaarden in andere landen.

Veiligheidsinstructies

- Open het product NIET. Het bevat geen te onderhouden onderdelen.
- KLIJK NIET in de lichtbron wanneer het apparaat is ingeschakeld.
- Dit product NIET onderdompelen (IP65). Regelmatig gebruik buitenshuis is prima.
- Plaats geen ontvlambaar materiaal binnen 50 cm van dit product als het in gebruik is of is aangesloten op het stopcontact.
- Gebruik dit product NIET als de behuizing, lenzen of kabels beschadigd lijken.
- Sluit dit product NIET aan op een dimmer of een regelweerstand.
- LET OP: De behuizing van dit product kan heet zijn wanneer het in bedrijf is. Monteer dit product op een plek met voldoende ventilatie, ten minste 50 cm van de aangrenzende oppervlakken.
- LET OP: Bij het verplaatsen van het product uit extreme omgevingen, (bijv. koude vrachtwagen naar warme, vochtige balzaal) kan er condensvorming optreden op de elektronica van het product. Om storingen te vermijden moet het product volledig kunnen acclimatiseren aan de omgeving voordat het op stroom wordt aangesloten.
- Niet voor permanente buiteninstallatie in locaties met extreme weersomstandigheden. Dit is met inbegrip van, maar niet beperkt tot:
 - Blootstelling aan een marien/zout milieu (binnen 5 km van zout water).
 - Waar de gebruikelijke hoge of lage temperaturen van de locatie de temperatuurbereiken in deze handleiding overschrijden.
 - Locaties die kunnen overstromen of onder sneeuw begraven kunnen worden.
 - Andere gebieden waar het product blootstaat aan extreme straling of bijtende substanties.
- GEBRUIK een veiligheidskabel bij het boven het hoofd plaatsen van dit product.
- Sluit dit product UITSLUITEND op een geaard en beveiligd stroomcircuit.
- Gebruik UITSLUITEND de ophang-/montagebeugel om dit product te dragen.
- Om onnodige slijtage te elimineren en zijn levensduur te verlengen, gedurende perioden wanneer het product niet wordt gebruikt, moet u het product van de stroom afsluiten door een aardlekschakelaar om te zetten of door het te ontkoppelen.
- Stop in het geval van ernstige operationele problemen onmiddellijk met het gebruik.
- De maximale omgevingstemperatuur bedraagt 45 °C. Gebruik dit product niet bij hogere temperaturen.

FCC-naleving

Dit apparaat voldoet aan Part 15 Part B van de FCC-regels. Het gebruik is onderworpen aan de volgende twee voorwaarden:

1. Dit apparaat mag geen schadelijke interferentie veroorzaken, en
2. Dit apparaat moet enige ontvangen interferentie accepteren, inclusief interferentie die een ongewenste werking kan veroorzaken.

Eventuele wijzigingen of aanpassingen die niet uitdrukkelijk door de voor naleving verantwoordelijke partij zijn goedgekeurd, kan de bevoegdheid van de gebruiker om de apparatuur te bedienen ongeldig verklaren.

Contact

Van buiten de VS, Verenigd Koninkrijk, Ierland, Benelux, Frankrijk, Duitsland of Mexico kunt u contact opnemen met de distributeur of om ondersteuning vragen dan wel het product retourneren. Ga naar [Contact Us](#) voor contactinformatie.

Wat is inbegrepen

- Ovation E-910FC IP
- Beknopte handleiding
- Seetronic Powerkon IP65 stroomsnoer



Indien er op het soft-focus-filter een beschermende film zit, dient deze eerst verwijderd te worden. Het filter zit in een houder in de metalen gobo-sleuf.

AC-stroom

Dit product heeft een voeding met automatisch bereik die werkt met een ingangsspanning van 100–240 VAC, 50/60 Hz.

Power Linking

U kunt tot 7 Ovation E-910FC IP-producten koppelen bij 120 V, 11 producten bij 230 V, 12 producten bij 230 V. Dit aantal niet overschrijden. Power Linking-snoeren kunnen apart aangeschaft worden.

AC-stekker

Aansluiting	Snoer (VS)	Snoer (Europa)	Schroefkleur
AC Live	Zwart	Bruin	Geel/messing
AC Neutraal	Wit	Blauw	Zilver
AC Aarde	Groen/geel	Groen/geel	Groen



- Om onnodige slijtage te elimineren en zijn levensduur te verlengen, gedurende perioden wanneer het product niet wordt gebruikt, moet u het product van de stroom afsluiten door een aardlekschakelaar om te zetten of door het te ontkoppelen.
- Wanneer dit product buiten wordt gebruikt moeten stroom- en gegevenskabels met een IP65-certificering (of hoger) worden gebruikt. Zorg ervoor dat ongebruikte stroom- en gegevenspoorten worden afgesloten met de aangehechte IP65-afdekkingen.

DMX-koppeling

De Ovation E-910FC IP kan met een DMX-controller werken met een normale DMX seriële verbinding. Op www.chauvetprofessional.com is een DMX basishandleiding verkrijgbaar.

DMX-aansluiting

De Ovation E-910FC IP gebruikt een normale DMX-gegevensverbinding voor zijn DMX-persoonlijkheden: **1Ch, 4Ch, 6Ch, 8Ch, 11Ch, 13Ch, 14Ch, 17Ch** en **HSV**. Zie de gebruikershandleiding om te verbinden en te configureren voor DMX-werking.



Wanneer dit product buiten wordt gebruikt in een omgeving die die een IP65-certificering vereist, moet er ook worden gezorgd dat er gegevenskabels met IP65-certificering of hoger worden gebruikt en moeten de ongebruikte poorten worden afgedekt met de vastgehechte IP65-afdekkingen.

Master/slave-verbinding

De Ovation E-910FC IP maakt gebruik van de DMX-dataverbinding voor haar Master-/Slave-modus. Zie de gebruikershandleiding om te verbinden en te configureren voor Master-/Slave-werking.

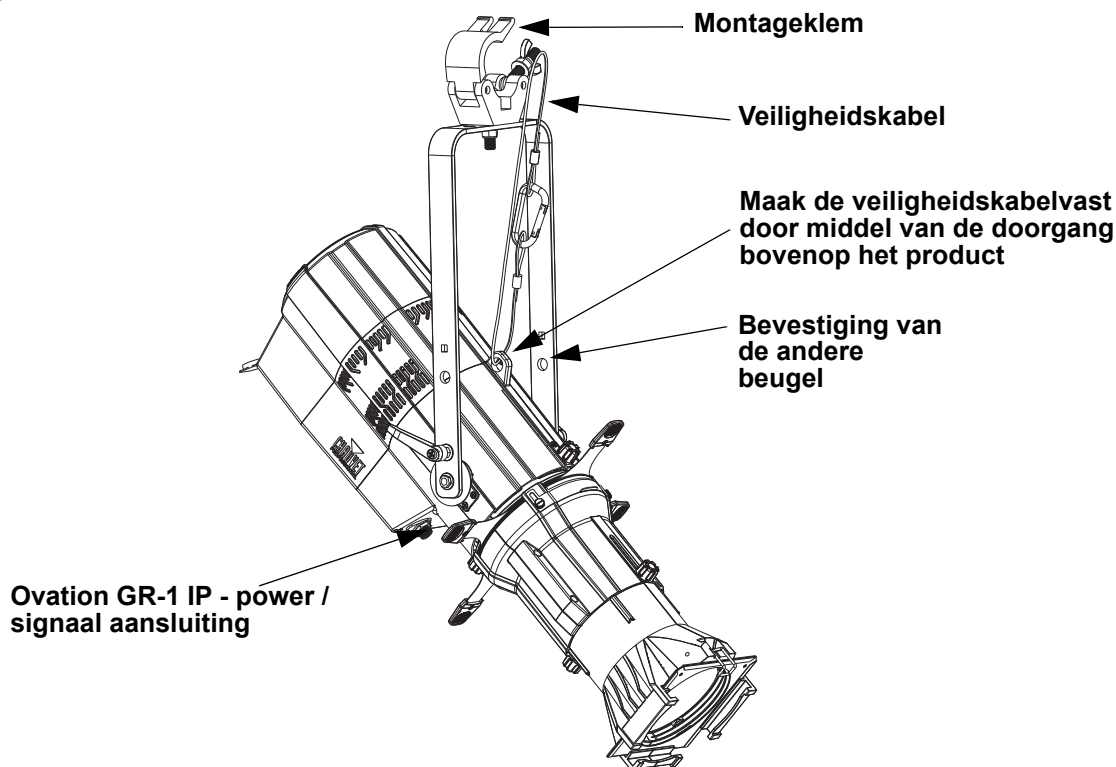
RDM (apparaatbeheer op afstand)

Remote Device Management of RDM (apparaatbeheer op afstand) is een standaard die het voor DMX-apparaten mogelijk maakt om in twee richtingen te communiceren over bestaande DMX-kabels. De Ovation E-910FC IP ondersteunt het RDM-protocol dat zorgt feedback toelaat bij de bewaking van wijzigingen aan de menu map-opties van. Download de gebruikershandleiding op www.chauvetprofessional.com voor meer informatie.

Montage

Lees alvorens dit product te monteren alle [Veiligheidsinstructies](#). Controleer of de montageklem het gewicht van het product kan dragen. Ga voor onze Chauvet-serie montageklemmen naar <http://trusst.com/productcategory/truss-clamps/>.

Montagediagram van het product



Montage boven het

Toegangscode

Vul na dat gevraagd te worden de volgende toegangscode in door te drukken op:

<UP>, <DOWN>, <UP>, <DOWN>, <ENTER>

Dit toegangscode kan niet gewijzigd worden en moet indien gevraagd ingevuld worden.

Lensbuizen

De volgende lensbuizen zijn aan te schaffen:

- 19°, 26°, 36°, en 50° met gelframe (159 mm accessoires)
- 14°, 15°–30° en 25°–50° Zoom gelframe (191 mm accessoires)

Virtueel kleurenwiel

De Ovation E-910FC IP bevat een functie, genaamd het virtuele kleurenwiel (Virtual Color Wheel, VCW). Deze functie is beschikbaar als een losstaande bedieningsmodus voor handmatig gebruik en ook als een bedieningskanaal in de geselecteerde DMX-persoonlijkheden van de producten. Voor eenvoudiger programmering zijn er meer dan 30 voorgemengde kleuren beschikbaar die speciaal door onze technici zijn samengesteld.

De DMX-waarden die worden gebruikt voor het mengen van deze kleuren staan hieronder vermeld. U kunt de algehele intensiteit van het Ovation-armatuur aanpassen om de kleuren waarmee u bekend bent beter na te bootsen. Op onze website www.chauvetprofessional.com is een tabel beschikbaar om onze voorgemengde kleuren te vergelijken met populaire gelkleuren. Deze grafiek is uitsluitend bedoeld voor vergelijkingsdoeleinden en vormt geen garantie dat onze voorgemengde kleuren overeenkomen met de vermelde gelkleuren.

Kleurenkaart

	R	G	B	A	L
C3050-Md Yellow	233	163	20	123	255
C3040-Lt Yellow	224	158	47	255	231
C3240-Amb Yellow	180	60	0	245	255
C2340-VLt Amber	245	107	81	255	213
C2040-Lt Amber	230	130	62	255	155
C2050-Md Amber	255	0	25	255	194
C2060-Dk Amber	255	0	24	255	150
C1050-Lt Red	255	37	27	30	38
C1080-Md Red	255	4	17	0	0
C1020-NC Pink	238	135	129	255	255
C1030-Md Pink	255	131	120	255	195
C1630-Dk Pink	250	165	123	255	210
C1250-Md Red Amber	255	0	41	195	55
C1060-Dk Red Amber	255	0	45	120	30
C1650-Magenta	255	50	115	255	115
C6170-Dk Magenta	255	35	117	0	0
C6020-Lt Lavender	127	122	142	251	255
C5030-Lt Blue	0	255	197	100	255
C5020-VLt Blue	158	255	189	0	255
C5430-Lt Blue2	0	255	180	0	243
C5070-Blue	43	255	210	43	36
C5050-Md Blue	0	255	218	0	181
C5060-Dk Blue	0	210	206	0	118
C5690-Indigo	65	0	210	40	55
C5080-VDk Blue	0	203	230	0	40
C5081-VdK Blue2	40	199	240	0	45
C4370-Yel Green	27	255	28	16	104
C4070-Green	49	255	55	120	90
C4550-Turquoise	60	230	109	0	245
C4560-Aqua	20	240	126	36	255
C4570-Blue Green	0	255	79	30	53



Let op: De kleuren hierboven zijn gesimuleerde waargaven van de kleurenitvoer die zijn geproduceerd, in vergelijking met de andere gelijksoortige lichtproducten. Chauvet geeft geen garantie over de nauwkeurigheid van de kleuropbrengst.

Kleurtemperatuur-kaart

	R	G	B	A	L
2800K	187	130	97	255	255
3000K	177	145	105	255	255
3200K	168	157	113	255	255
3500K	163	177	124	255	255
4000K	151	195	141	255	255
4500K	145	214	157	255	255
5000K	138	227	170	255	255
5600K	130	239	184	255	255
6000K	126	246	193	255	255
6500K	120	254	201	255	255



Let op: De bovenstaande kleurtemperaturen zijn gesimuleerde weergaven van de geproduceerde kleuropbrengst, in vergelijking met een wolfram-lamp bij de opgegeven kleurtemperatuur. Chauvet geeft geen garantie over de nauwkeurigheid van de kleuropbrengst.

Beschrijving bedienings paneel

Toets	Functie
<MENU>	Sluit het huidige menu of functie af
<ENTER>	Activeert het huidige getoonde menu of plaatst de huidige geselecteerde waarde in de geselecteerde functie
<UP>	Navigeert omhoog via het menu of verhoogt de numerieke waarde wanneer in een functie
<DOWN>	Navigeert omlaag via het menu of verlaagt de numerieke waarde wanneer in een functie

Menu-map

Hoofdniveau	Programmeerniveaus	Beschrijving
DMX Address	001-512*	Selecteert het start-adres (hoogste kanaal beperkt tot de gekozen persoonlijkheid)
	1Ch	1-kanaal: dimmer
DMX Channel	4Ch	4-kanaal: dimmer, VCW, kleurtemperatuur, gobo roterend
	6Ch	6-kanaal: RGBAL, gobo roterend
	8Ch	8-kanaal: dimmer, RGBAL, stroboscoop, gobo roterend
	11Ch	11-kanaal: 16-bit dimmer, RGBAL, stroboscoop, VCW, kleurtemperatuur, gobo roterend
	13Ch	13-kanaal: dimmer, RGBAL, stroboscoop, VCW, kleurtemperatuur, programma's, automatische snelheid, dimmersnelheidsmodus, gobo roterend
	14Ch	14-kanaal: 16-bit dimmer, 16-bit RGBAL, stroboscoop, gobo roterend
	17Ch	17-kanaal: 16-bit dimmer, 16-bit RGBAL, stroboscoop, VCW, kleurtemperatuur, gobo roterend
	HSV	4-kanaal: tint, verzadiging, waarde, gobo roterend

Hoofdniveau	Programmeerniveaus		Beschrijving	
Virtual Color Wheel	Virtual Color Wheel	C3050-Md Yellow	Dimmer 0–255	Het virtuele kleurenwiel simuleert de opbrengst van elke gelkleur. Raadpleeg de sectie Kleurenkaart voor specifieke waarden
		C3040-Lt Yellow		
		C3240-Amb Yellow		
		C2340-VLt Amber		
		C2040-Lt Amber		
		C2050-Md Amber		
		C2060-Dk Amber		
		C1050-Lt Red		
		C1080-Md Red		
		C1020-NC Pink		
		C1030-Md Pink		
		C1630-Dk Pink		
		C1250-Md Red Amber		
		C1060-Dk Red Amber		
		C1650-Magenta		
		C6170-Dk Magenta		
		C6020-Lt Lavender		
		C5030-Lt Blue		
		C5020-VLt Blue		
		C5430-Lt Blue2		
		C5070-Blue		
		C5050-Md Blue		
		C5060-Dk Blue		
		C5690- Indigo		
		C5080-VDk Blue		
		C5081-VDk Blue2		
		C4370-Yel Green		
C4070-Green				
C4550-Turquoise				
C4560-Aqua				
C4570-Blue Green				
Virtual Color Wheel	Color Temperature	2800K	Dimmer 0–255	Vooringestelde witte kleurtemperaturen. Emuleert een wolfram-lamp bij de opgegeven kleurtemperatuur. Raadpleeg de sectie Kleurtemperatuur-kaart voor specifieke waarden
		3000K		
		3200K		
		3500K		
		4000K		
		4500K		
		5000K		
		5600K		
		6000K		
		6500K		
Virtual Color Wheel	Manual Color Mixer	Red Green Blue Amber Lime	0–255	Combineert rood, groen, blauw, amber en lime om een aangepaste kleur te genereren (0–100%)
Auto Show	Auto 1–5	1–100		Selecteert automatische programma's en automatische programmasnelheid
Red Shift	On Off			Bootst halogeenlamp dimmen na
Gobo Rotator	0–255			Roterende gobo index
Master/ Slave	Master Slave			DMX-modus (Master) Slave-modus
Dimmer Curve	Linear Square I Square SCurve			Stelt de dimcurve in
Dimmer Mode	Off Dimmer 1–3			Lineaire dimmer Selecteert dimprofielen van snel (Dimmer 1) tot langzaam (Dimmer 3)

Hoofdniveau	Programmeerniveaus		Beschrijving
White Balance	Manual	Off	Gebruikt standaard witte instelling
		Red	Stelt de maximum waarde van de rode LED in
		Green	Stelt de maximum waarde van de groene LED in
		Blue	Stelt de maximum waarde van de blauwe LED in
		Amber	Stelt de maximum waarde van de amber LED in
		Lime	Stelt de maximum waarde van de lime LED in
LED Frequency			Selecteert de PWM-uitgangsfrequentie
	600Hz		
	1200Hz		
	2000Hz		
	4000Hz		
	6000Hz		
Fan Mode			Ingesteld de ventilator automatische modus
	Auto		
	On		
	Off		
	Silent		
Back Light	10S		Schakelt de backlight van de display uit na 10s van inactiviteit
	30S		Schakelt de backlight van de display uit na 30s van inactiviteit
	2Min		Schakelt de backlight van de display uit na 2 min van inactiviteit
	Always On		De backlight van de display is altijd aan
Key Lock	On		Schakelt de toegangscode aan of uit
	Off		
Gobo Power	On		Schakelt de gobo vermogensuit aan of uit
	Off		
Information	Fixture Hours	----H	Toont het totale aantal producten
	LED Hours	----H	Toont het totale aantal uren dat de LED-verlichting aan was
	Version	V_._	Toont de geïnstalleerde softwareversie
	UID	-----	Geeft de huidige UID
Reset Factory	No		Herstellen naar de fabrieksstandaard
	Yes		



WAARSCHUWING: Bij werking in de ventilatormodus: Uit, de armatuur wordt voel warmer aan dan bij gebruik van andere ventilatormodi. Gebruik de juiste beschermende uitrusting om brandwonden te voorkomen. Houd een veilige afstand van brandbare voorwerpen.



LET OP: Bij werking in de ventilatormodus: Uit, uitvoer van de armatuur wordt verminderd en zal niet dezelfde niveaus bereiken als bij andere ventilatormodi.

DMX-waarden

17Ch

Kanaal	Functie	Waarde	Percentage/Instelling
1	Dimmer	000 ⇄ 255	0-100%
2	Fijnedimmer	000 ⇄ 255	0-100%
3	Rood	000 ⇄ 255	0-100%
4	Fijnerood	000 ⇄ 255	0-100%
5	Groen	000 ⇄ 255	0-100%
6	Fijnegroen	000 ⇄ 255	0-100%
7	Blauw	000 ⇄ 255	0-100%
8	Fijneblauw	000 ⇄ 255	0-100%
9	Amber	000 ⇄ 255	0-100%
10	Fijnamber	000 ⇄ 255	0-100%
11	Lime	000 ⇄ 255	0-100%
12	Fijnlime	000 ⇄ 255	0-100%

Kanaal	Functie	Waarde	Percentage/Instelling
13	Stroboscoop	000 ⇄ 010	Geen functie
		011 ⇄ 255	Stroboscoop, langzaam tot snel
14	Virtueel kleurenwiel	000 ⇄ 255	Raadpleeg de sectie Kleurenkaart
15	Kleurtemperatuur	000 ⇄ 255	Raadpleeg de sectie Kleurtemperatuur-kaart
16	Gobo roterend	000 ⇄ 127	Roterende gobo index
		128 ⇄ 190	Roteren met de klok mee, langzaam tot snel
		191 ⇄ 192	Stop
		193 ⇄ 255	Tegen de klok in roteren, langzaam tot snel
17	Controle (Houd 3 seconden ingedrukt)	000 ⇄ 007	Geen functie
		008 ⇄ 015	Dimmer reset
		016 ⇄ 023	Rode Shift aan
		024 ⇄ 031	Rode Shift uit
		032 ⇄ 039	S-curve dimcurve
		040 ⇄ 047	Lineaire dimcurve
		048 ⇄ 055	Vierkante dimcurve
		056 ⇄ 063	Omgekeerde vierkante dimcurve
		064 ⇄ 071	Dimmer modus aan
		072 ⇄ 079	Dimmer modus 1
		080 ⇄ 087	Dimmer modus 2
		088 ⇄ 095	Dimmer modus 3
		096 ⇄ 103	Ingesteld de ventilator automatische modus
		104 ⇄ 111	Ingesteld de ventilator altijd aan modus
112 ⇄ 119	Ingesteld de ventilator altijd uit		
120 ⇄ 127	Ingesteld de ventilator stil		
128 ⇄ 225	Geen functie		

14Ch

Kanaal	Functie	Waarde	Percentage/Instelling
1	Dimmer	000 ⇄ 255	0–100%
2	Fijndimmer	000 ⇄ 255	0–100%
3	Rood	000 ⇄ 255	0–100%
4	Fijnerood	000 ⇄ 255	0–100%
5	Groen	000 ⇄ 255	0–100%
6	Fijnegroen	000 ⇄ 255	0–100%
7	Blauw	000 ⇄ 255	0–100%
8	Fijneblauw	000 ⇄ 255	0–100%
9	Amber	000 ⇄ 255	0–100%
10	Fijnamber	000 ⇄ 255	0–100%
11	Lime	000 ⇄ 255	0–100%
12	Fijnlime	000 ⇄ 255	0–100%
13	Stroboscoop	000 ⇄ 010	Geen functie
		011 ⇄ 255	Stroboscoop, langzaam tot snel
14	Gobo roterend	000 ⇄ 127	Roterende gobo index
		128 ⇄ 190	Roteren met de klok mee, langzaam tot snel
		191 ⇄ 192	Stop
		193 ⇄ 255	Tegen de klok in roteren, langzaam tot snel

13Ch

Kanaal	Functie	Waarde	Percentage/Instelling
1	Dimmer	000 ⇄ 255	0–100%
2	Rood	000 ⇄ 255	0–100%
3	Groen	000 ⇄ 255	0–100%
4	Blauw	000 ⇄ 255	0–100%
5	Amber	000 ⇄ 255	0–100%
6	Lime	000 ⇄ 255	0–100%
7	Stroboscoop	000 ⇄ 010	Geen functie
		011 ⇄ 255	Stroboscoop, langzaam tot snel
8	Virtueel kleurenwiel	000 ⇄ 255	Raadpleeg de sectie Kleurenkaart
9	Kleurtemperatuur	000 ⇄ 255	Raadpleeg de sectie Kleurtemperatuur-kaart

NL

Kanaal	Functie	Waarde	Percentage/Instelling
10	Automatische programma's	000 ⇔ 010	Geen functie
		011 ⇔ 060	Automatische programma 1
		061 ⇔ 110	Automatische programma 2
		111 ⇔ 160	Automatische programma 3
		161 ⇔ 210	Automatische programma 4
		211 ⇔ 255	Automatische programma 5
11	Programmasnelheid	000 ⇔ 255	Programmasnelheid, langzaam tot snel
12	Controle* (Houd 3 seconden ingedrukt)	000 ⇔ 007	Geen functie
		008 ⇔ 015	Dimmer reset
		016 ⇔ 023	Rode Shift aan
		024 ⇔ 031	Rode Shift uit
		032 ⇔ 039	S-curve dimcurve
		040 ⇔ 047	Lineaire dimcurve
		048 ⇔ 055	Vierkante dimcurve
		056 ⇔ 063	Omgekeerde vierkante dimcurve
		064 ⇔ 071	Dimmer modus aan
		072 ⇔ 079	Dimmer modus 1
		080 ⇔ 087	Dimmer modus 2
		088 ⇔ 095	Dimmer modus 3
		096 ⇔ 103	Ingesteld de ventilator automatische modus
		104 ⇔ 111	Ingesteld de ventilator altijd aan modus
112 ⇔ 119	Ingesteld de ventilator altijd uit		
120 ⇔ 127	Ingesteld de ventilator stil		
128 ⇔ 225	Geen functie		
13	Gobo roterend	000 ⇔ 127	Roterende gobo index
		128 ⇔ 190	Roteren met de klok mee, langzaam tot snel
		191 ⇔ 192	Stop
		193 ⇔ 255	Tegen de klok in roteren, langzaam tot snel

11Ch

Kanaal	Functie	Waarde	Percentage/Instelling
1	Dimmer	000 ⇔ 255	0–100%
2	Fijndimmer	000 ⇔ 255	0–100%
3	Rood	000 ⇔ 255	0–100%
4	Groen	000 ⇔ 255	0–100%
5	Blauw	000 ⇔ 255	0–100%
6	Amber	000 ⇔ 255	0–100%
7	Lime	000 ⇔ 255	0–100%
8	Stroboscoop	000 ⇔ 010	Geen functie
		011 ⇔ 255	Stroboscoop, langzaam tot snel
9	Virtueel kleurenwiel	000 ⇔ 255	Raadpleeg de sectie Kleurkaart
10	Kleurtemperatuur	000 ⇔ 255	Raadpleeg de sectie Kleurtemperatuur-kaart
11	Gobo roterend	000 ⇔ 127	Roterende gobo index
		128 ⇔ 190	Roteren met de klok mee, langzaam tot snel
		191 ⇔ 192	Stop
		193 ⇔ 255	Tegen de klok in roteren, langzaam tot snel

8Ch

Kanaal	Functie	Waarde	Percentage/Instelling
1	Dimmer	000 ⇔ 255	0–100%
2	Rood	000 ⇔ 255	0–100%
3	Groen	000 ⇔ 255	0–100%
4	Blauw	000 ⇔ 255	0–100%
5	Amber	000 ⇔ 255	0–100%
6	Lime	000 ⇔ 255	0–100%
7	Stroboscoop	000 ⇔ 010	Geen functie
		011 ⇔ 255	Stroboscoop, langzaam tot snel
8	Gobo roterend	000 ⇔ 127	Roterende gobo index
		128 ⇔ 190	Roteren met de klok mee, langzaam tot snel
		191 ⇔ 192	Stop
		193 ⇔ 255	Tegen de klok in roteren, langzaam tot snel

6Ch

Kanaal	Functie	Waarde	Percentage/Instelling
1	Rood	000 ⇄ 255	0–100%
2	Groen	000 ⇄ 255	0–100%
3	Blauw	000 ⇄ 255	0–100%
4	Amber	000 ⇄ 255	0–100%
5	Lime	000 ⇄ 255	0–100%
6	Gobo roterend	000 ⇄ 127 128 ⇄ 190 191 ⇄ 192 193 ⇄ 255	Roterende gobo index Roteren met de klok mee, langzaam tot snel Stop Tegen de klok in roteren, langzaam tot snel

4Ch

Kanaal	Functie	Waarde	Percentage/Instelling
1	Dimmer	000 ⇄ 255	0–100%
2	Virtueel kleurenwiel	000 ⇄ 255	Raadpleeg de sectie Kleurenkaart
3	Kleurtemperatuur	000 ⇄ 255	Raadpleeg de sectie Kleurtemperatuur-kaart
4	Gobo roterend	000 ⇄ 127 128 ⇄ 190 191 ⇄ 192 193 ⇄ 255	Roterende gobo index Roteren met de klok mee, langzaam tot snel Stop Tegen de klok in roteren, langzaam tot snel

1Ch

Kanaal	Functie	Waarde	Percentage/Instelling
1	Dimmer	000 ⇄ 255	0–100% (kleur ingesteld via menu)

HSV

Kanaal	Functie	Waarde	Percentage/Instelling
1	Tint	000 ⇄ 255	0–100%
2	Verzadiging	000 ⇄ 255	0–100%
3	Waarde	000 ⇄ 255	0–100%
4	Gobo roterend	000 ⇄ 127 128 ⇄ 190 191 ⇄ 192 193 ⇄ 255	Roterende gobo index Roteren met de klok mee, langzaam tot snel Stop Tegen de klok in roteren, langzaam tot snel

Contact Us

General Information	Technical Support
Chauvet World Headquarters	
Address: 5200 NW 108th Ave. Sunrise, FL 33351 Voice: (954) 577-4455 Fax: (954) 929-5560 Toll Free: (800) 762-1084	Voice: (844) 393-7575 Fax: (954) 756-8015 Email: chauvetcs@chauvetlighting.com Website: www.chauvetprofessional.com
Chauvet Europe Ltd	
Address: Unit 1C Brookhill Road Industrial Estate Pinxton, Nottingham, UK NG16 6NT Voice: +44 (0) 1773 511115 Fax: +44 (0) 1773 511110	Email: UKtech@chauvetlighting.eu Website: www.chauvetprofessional.eu
Chauvet Europe BVBA	
Address: Stokstraat 18 9770 Kruishoutem Belgium Voice: +32 9 388 93 97	Email: BNLtech@chauvetlighting.eu Website: www.chauvetprofessional.eu
Chauvet France	
Address: 3, Rue Ampère 91380 Chilly-Mazarin France Voice: +33 1 78 85 33 59	Email: FRtech@chauvetlighting.fr Website: www.chauvetprofessional.eu
Chauvet Germany	
Address: Bruno-Bürgel-Str. 11 28759 Bremen Germany Voice: +49 421 62 60 20	Email: DEtech@chauvetlighting.de Website: www.chauvetprofessional.eu
Chauvet Mexico	
Address: Av. de las Partidas 34 - 3B (Entrance by Calle 2) Zona Industrial Lerma Lerma, Edo. de México, CP 52000 Voice: +52 (728) 690-2010	Email: servicio@chauvet.com.mx Website: www.chauvetprofessional.mx

Visit the applicable website above to verify our contact information and instructions to request support. Outside the U.S., U.K., Ireland, Benelux, France, Germany, or Mexico, contact the dealer of record.



UL 1573
CSA C22.2 No. 166
E113093

