

PCM-20TN

Ref: LDAPCM20TNS01

The PCM-20TN is a 20W high-performance unidirectional anti-vandal projection loudspeaker that complies with EN 54-24 standard for voice alarm.

It offers high quality sound reproduction and intelligible broadcast of voice evacuation messages thanks to its high sound pressure level, low distortion and a broad frequency response range. Its high IP ensures reliable operations over wide temperature and humidity ranges making it ideal for indoor or outdoor applications.

EN 54-24



Features of the PCM-20TN:

- Complies with EN 54-24 standard
- Excellent sound reproduction
- Intelligible voice broadcasting

Technical specifications:

Model	PCM-20TN
Reference	LDAPCM20TNS01
Max power	30 W
Rated power	20 W
Power tapping	20 W / 10 W / 5 W / 2.5 W @100V 10 W / 5 W / 2.5W / 1.25W @70V
Rated input voltage	100 V / 70 V
Rated impedance	500 Ω / 1K Ω / 2K Ω / 4K Ω
SPL at 20W/1W (100Hz-10kHz)	101 dB (1m) / 89 dB (1m) 89 dB (4m) / 77 dB (4m)
Frequency response	150 Hz ~ 20k Hz (-10 dB)
Connection	Fire-resistant cable
Dimensions	Φ140 mm x195 mm
Weight	2.65 Kg
Color	White (RAL9003)
IP protection grade	IP65 (B type according to EN54-24)
Speaker size	5.25"
Operating temperature	-25 °C to +55 °C

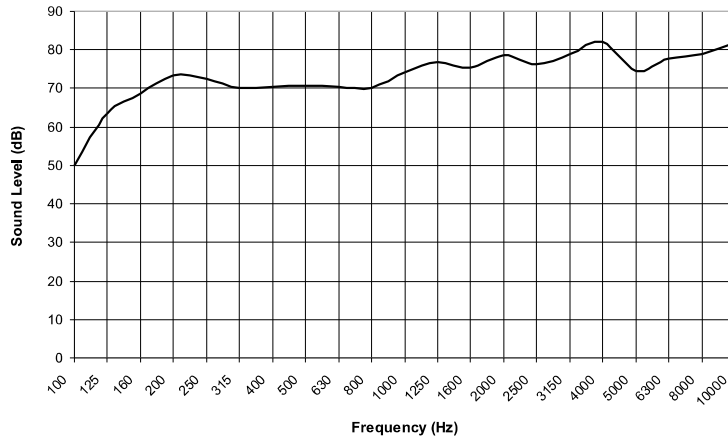
* The reference axis is perpendicular to the centre point of the front grille.

* The reference plane is perpendicular to the centre of the reference axis.

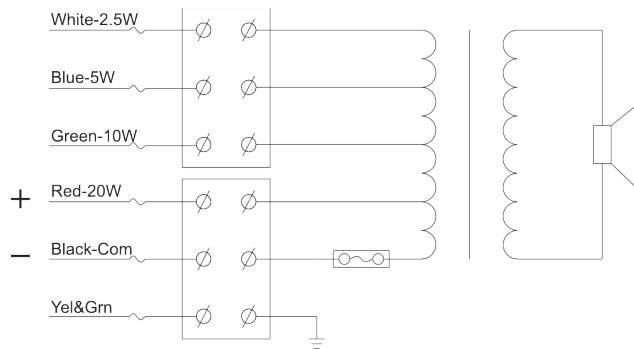
* The horizontal plane is perpendicular to the centre of the reference plane.

* The spec/data was measured using a standard baffle mounting in an anechoic chamber as described in EN54-24

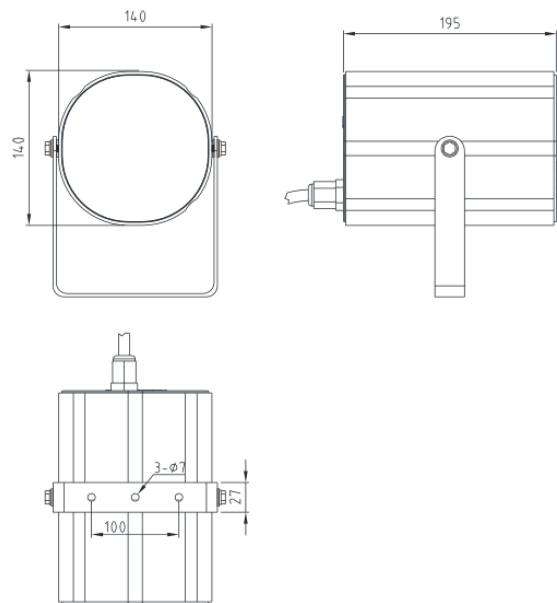
Frequency response:



Circuit Diagram



Views



Dispersion angles

		Horizontal	Vertical
1 oct. Pink noise	500 Hz	360°	360°
1 oct. Pink noise	1 kHz	214°	219°
1 oct. Pink noise	2 kHz	116°	116°
1 oct. Pink noise	4 kHz	57°	58°

Installation Instructions and Configuration

Mounting

LDA Audio Tech - Severo Ochoa, 31 - 29590 Malaga, SPAIN - Tel: +34 952028805 – www.lda-audiotech.com/en

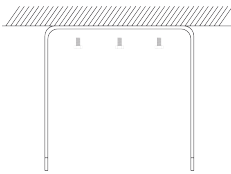
A durable bracket is provided for quick installation and flexible angle adjustment. Besides, this unidirectional loudspeaker can be ceiling mount with a bracket.

Power Setting

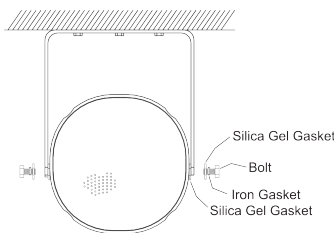
The product comes with a one-meter, fire-resistant six-core cable already attached to the ceramic connector. The cable is a bundle of wires color-coordinated corresponding to the different power taps of the transformer. The cable connector is mounted on the back cover for easy installation.

Installation Instructions

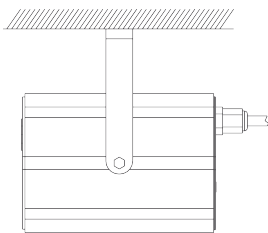
1. Remove the aluminium bracket from the carton and secure it on the ceiling or wall using the three provided mounting screws.




2. Use the screws, gasket and silicone O-ring in the accessory package to secure the speaker to the bracket according to the picture below.



3. Adjust the angle and tighten the screws on both sides.






LDAPCM20TNS01
Unidirectional Projection Loudspeaker
EN54- 24 Type B

Transformer Power Tapping:

	Red	Green	Blue	White	Black	Yel&Gm
IMP(Ω)	500	1K	2K	4K		
100V	20W	10W	5W	2.5W	Com	GND
70V	10W	5W	2.5W	1.25W		

Other technical data see LDAPCM20TN_M1_V1



0359
14
LDA, Málaga, SPAIN
0359-CPR-00431
DoP No.: CPR-DoP-2014001