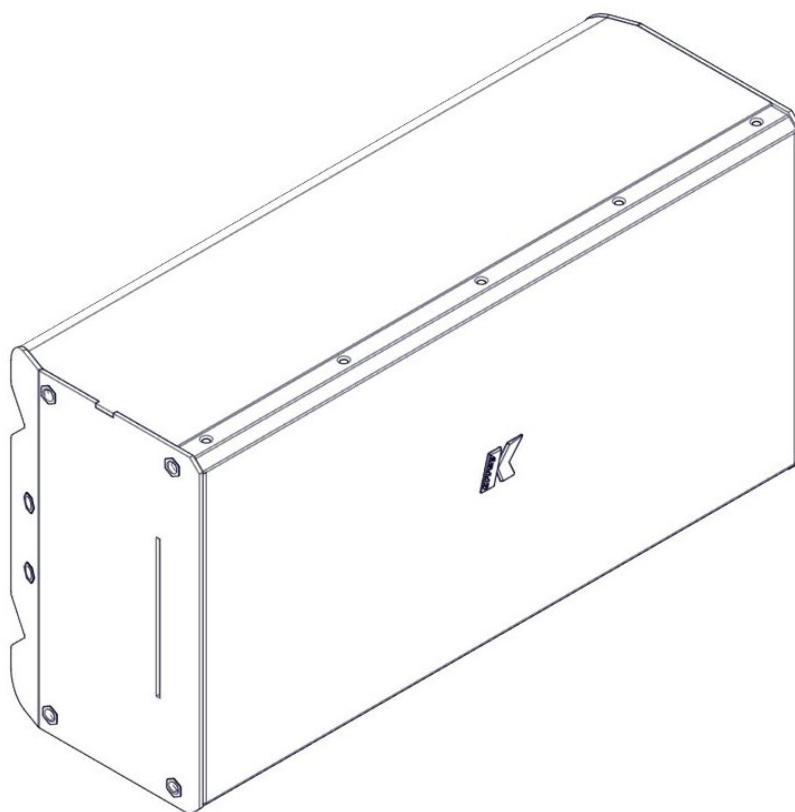




# **KU26**

## USER GUIDE English



## TABLE OF CONTENTS

SYMBOLS .....	3
1. INTRODUCTION .....	4
2. KEY FEATURES .....	4
3. APPLICATIONS.....	4
4. PACKAGE CONTENTS .....	4
5. SAFETY INFORMATION.....	5
6. UNPACKING .....	6
7. PHYSICAL .....	6
7.1 MOUNTING SCREW HOLES FOR ACCESSORIES .....	7
8. WIRING .....	8
8.1 K-2SPK ACCESSORY .....	9
9. KA1-UB AMPLIFIER .....	10
10. SET UP .....	11
10.1 RUBBER FEET MOUNTING .....	11
10.2 HANGING SETUP .....	12
10.3 TILTING THE SYSTEM.....	12
10.4 FLUSHED WALL MOUNT .....	13
11. SERVICE .....	14
12. TECHNICAL SPECIFICATIONS .....	15
13. CERTIFICATION.....	16

## SYMBOLS

---



K-array declares that this device is in compliance with applicable CE standards and regulations. Before putting the device into operation, please observe the respective country-specific regulations!

---



**WEEE**  
Please dispose of this product at the end of its operational lifetime by bringing it to your local collection point or recycling center for such equipment.

---



This symbol alerts the user to the presence of recommendations about the product's use and maintenance.

---



Warning! Dangerous voltages: RISK of electric shock.  
Terminals marked with this symbol are HAZARDOUS LIVE and the external wiring connected to these terminals requires installation by a qualified professional or the use of ready-made leads or cords.

---



This symbol alerts the user to the presence of recommendations about product's use and maintenance.

---



This device complies with Restriction of Hazardous Substances Directive.

---

## 1. INTRODUCTION

K-array's compact subwoofers have just been scaled down even more. Components from the K-array subwoofer line have been modified to create a smaller, yet extremely powerful, bass system comprised of one 6" Neodymium transducer and one 6" passive radiator, engineered for maximum linear excursion and minimum residual noise.

With a frequency range of 45Hz to 150Hz, the KU26 is a companion to the K-array Lizard, Vyper, and Tornado speakers. The combination provides full range frequency response with prodigious output and a virtually invisible profile. The KU26 boasts extended frequency response and is electronically protected. Its neodymium transducer has a double voice coil (16+16  $\Omega$ ) for selectable impedance settings (8/32  $\Omega$ ) allowing you to combine up to eight KU26 units powered by just one amplifier channel. Designed as a passive speaker, the KU26 can be transformed into a self-powered speaker just by inserting the specific amplifier accessory, KA1-UB.

KU26 is made entirely of steel, making it extremely resistant, even when deployed outside in tough weather conditions. This is ideal for water-front environments where ordinary bass speakers would corrode. It cannot be penetrated by foreign objects like dust, sand or water, which over time can damage an ordinary audio element. The subwoofer is available in black or white to adapt to the aesthetics for almost all applications and has dedicated accessories available and includes integrated flying points for various setups.

The KU26 has been designed to extend the low range in small to medium size rooms. Applications vary from hotels and houses of worship to pubs and restaurants as well as stores and conferences.

All KU26 components are designed by the K-array R&D department and custom made under the K-array quality control system.

## 2. KEY FEATURES

- Unique performance-to-size ratio
- High power 121 dB SPL (peak)
- 6" long-excursion woofer
- 6" passive radiator
- Extended frequency response
- Double voice coil to allow for selectable impedance (8 $\Omega$  / 32 $\Omega$ )
- Weather proof, suitable for outdoor installations
- Dedicated accessories for flush mounting
- Self-powered capabilities with dedicated accessory
- Available in black and white colors

## 3. APPLICATIONS

- To extend the low range of Lizard, Tornado and Vyper mid-high speakers
- Restaurants, Lounges, Stores, Pubs
- Houses of worship, Conference halls
- Portable and installed AV systems

## 4. PACKAGE CONTENTS

- 1 x Subwoofer
- 1 x 4-pin Phoenix connector
- 1 x serial cable
- 2 x wall brackets

## 5. SAFETY INFORMATION

Read these instructions - Keep these instructions - Heed all warnings



Warning. Failure to follow these safety instructions could result in injury or damage to the device or other property.

### IMPORTANT SAFETY INSTRUCTIONS

- Read these instructions.
- Keep this instructions.
- Heed all warnings.
- Follow all instructions and keep all warnings.
- Only use attachments/accessories specified by the manufacturer.
- Use only with the cart, stand, tripod, bracket, or table specified by the manufacturer, or sold with the apparatus.

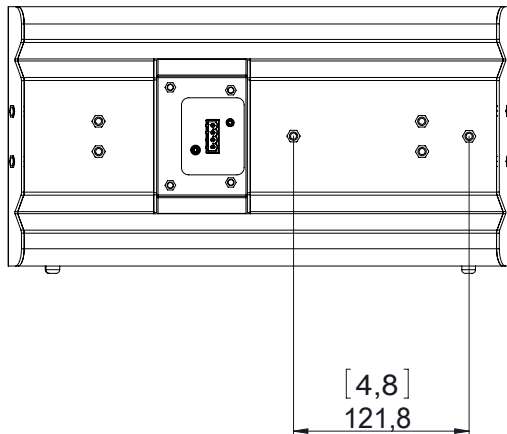
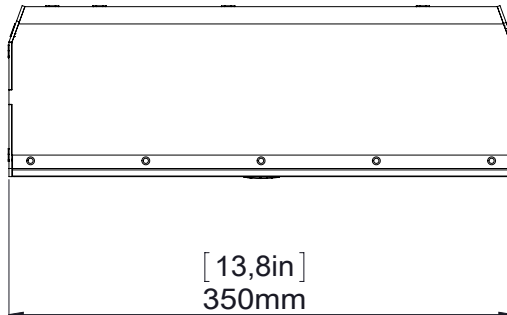
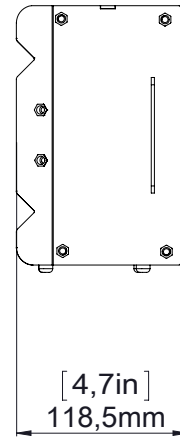
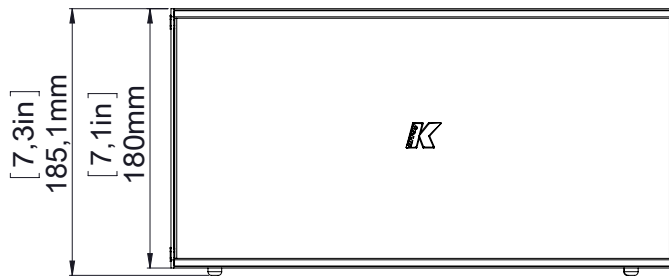


- When a cart is used, use caution when moving the cart/apparatus combination to avoid injury from tip-over.
- **Avoiding hearing damage.** Professional loudspeakers are capable of producing extremely high sound levels and should be used carefully. Never stand close to loudspeakers driven at high volume. Set the volume to a safe level. You can adapt over time to a higher volume of sound that may sound normal but can be damaging to your hearing. Hearing loss get worse every time you're exposed to a sound level of 90 dB or over for an extended period of time. If you experience ringing in your ears or muffled speech, stop listening and have your hearing checked. The louder the volume, the less time is required before your hearing could be affected.
- **Choking Hazards.** This device contains small parts, which may present a choking hazard to small children. Keep the device and its accessories away from small children.
- **Do not make repairs yourself.** Never attempt to disassemble, repair or modify the system yourself. Disassembling the unit may cause damage that is not covered under the warranty. The device contains no user-serviceable parts. **Repairs should only be performed by factory trained service personnel.**
- **Sound distortion.** Do not operate speakers for an extended period of time with sound distortion. This is an indication of malfunction, which in turn can generate heat and result in a fire.
- **Carrying, handling and installing the device.** The device contains sensitive components. Do not drop, disassemble, open, crush, bend, deform, puncture, shred, incinerate, paint, or insert foreign objects into it. If your device has been dropped or damaged unplug the power cable immediately.
- **Set up.** Set up your device on a stable retaining horizontal surface. If combined or mechanically connected with other products, always verify the stability of the resulted system. Install the unit only in a location that can structurally support the weight of the unit, far away from people who can interfere with the stability of the system. Assure that the wind does not interfere with the system's stability, taking extra securities like chains, weights, ropes or any other certified anchoring systems. Doing otherwise may result in the unit falling down, causing personal injury or property damage or even death. The system should only be suspended by qualified personnel following safe rigging practices. Secure fixings to the building structure are vital. To clarify any doubt you may have, seek help from architects, structural engineers or other specialists.

## 6. UNPACKING

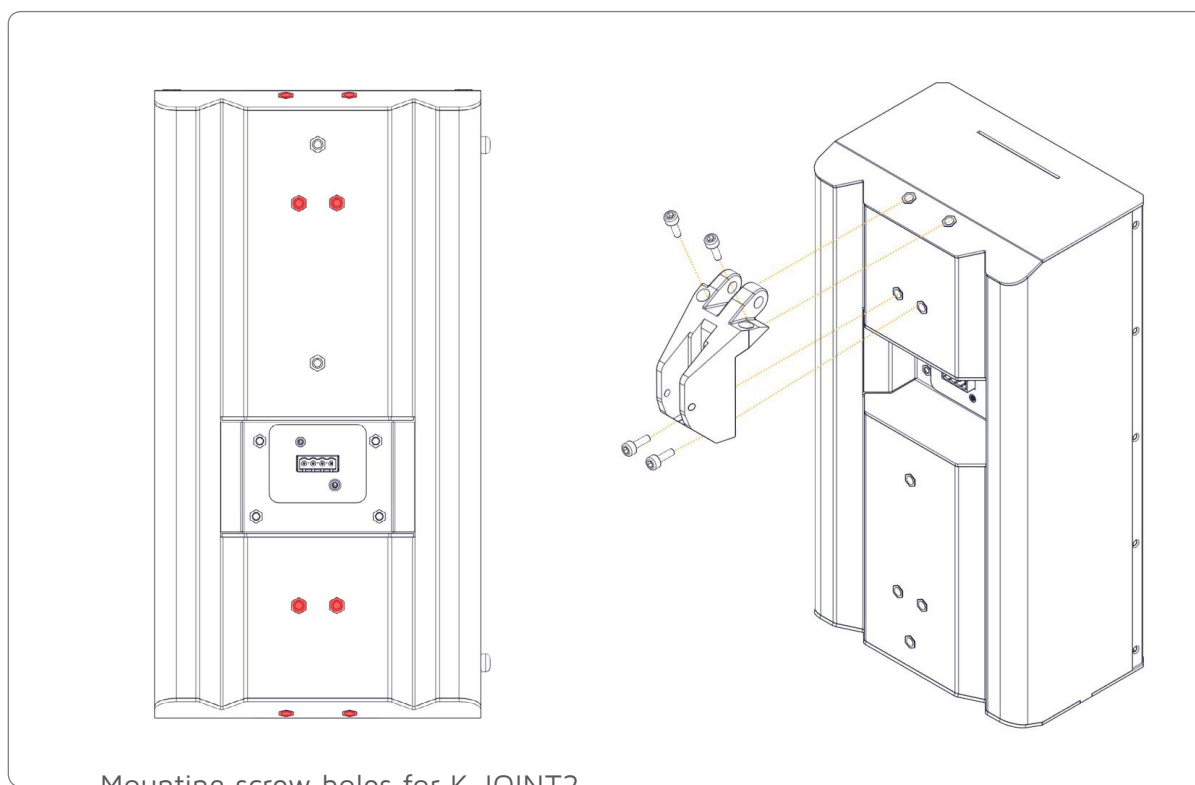
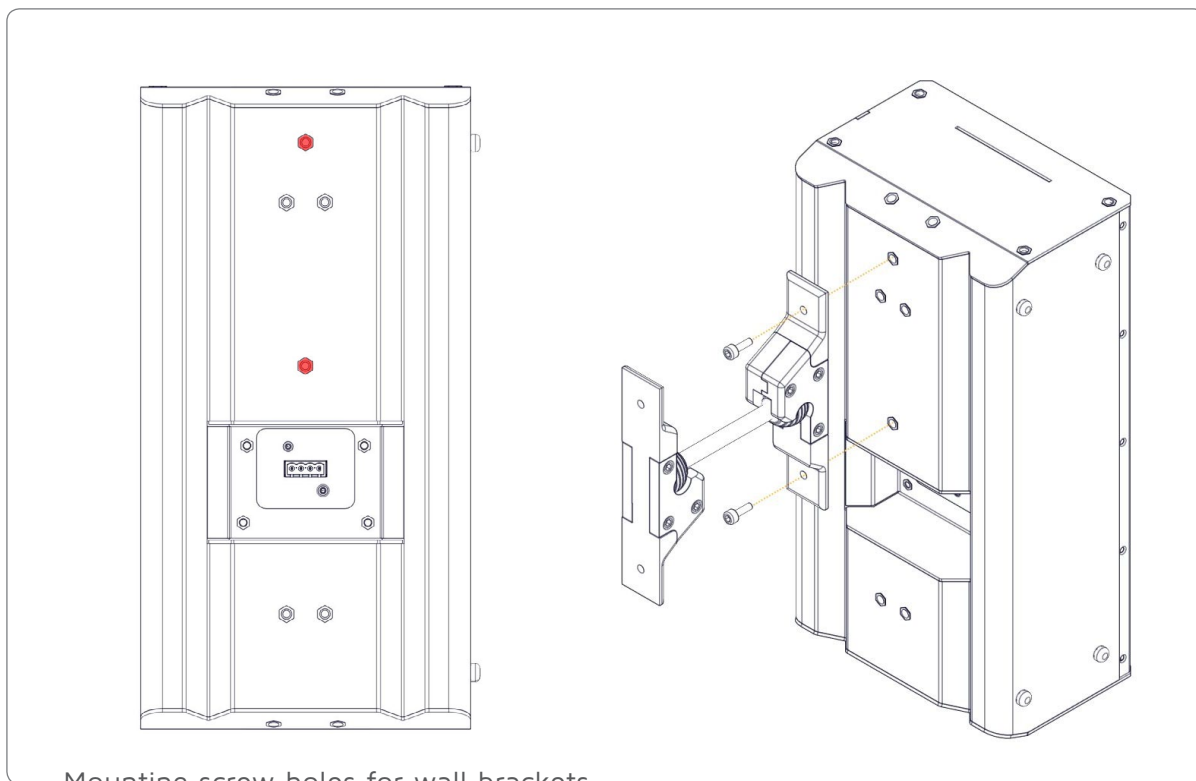
Each K-array speaker is built to the highest standard and thoroughly inspected before leaving the factory. Upon arrival, carefully inspect the shipping carton, then examine and test your new amplifier. If you find any damage, immediately notify the shipping company. Only the consignee may institute a claim procedure regarding the system's electronic equipment.

## 7. PHYSICAL



Weight  
5.9 kg (13.0 lbs)

### 7.1 MOUNTING SCREW HOLES FOR ACCESSORIES

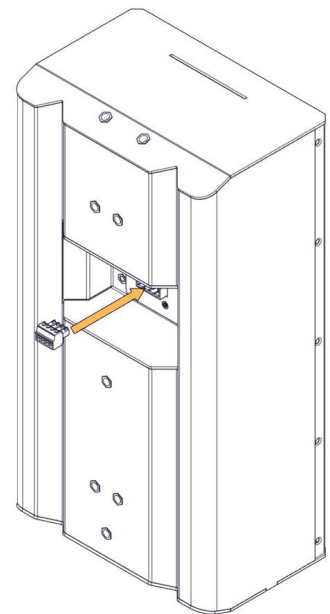
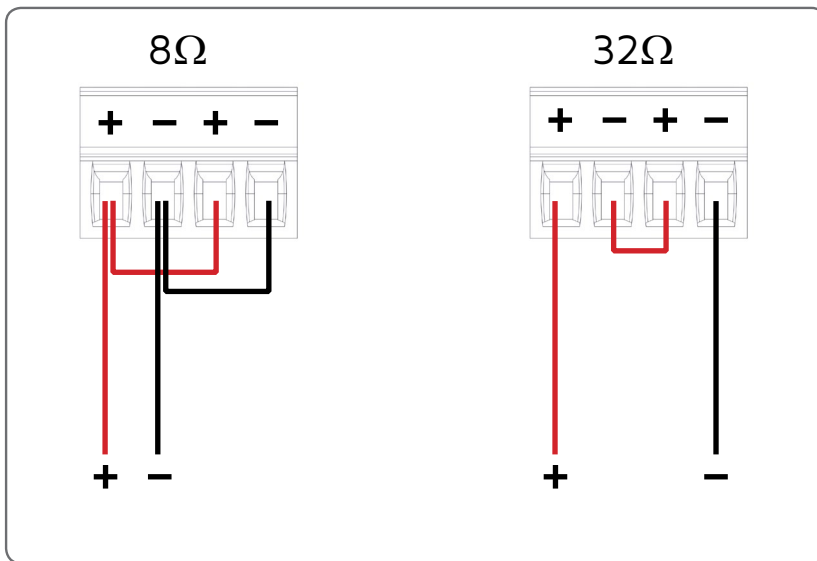


## 8. WIRING

The KU26 is comprised of a 6" neodymium transducer, combined with a 6" passive transducer. The neodymium transducer features a double voice-coil ( $16\Omega + 16\Omega$ ).

The two voice coils can be wired in parallel (resulting in a  $8\Omega$  total impedance) or in serial (resulting in a  $32\Omega$  total impedance). To do this, we provide a 4-pin female Phoenix connector where users can make the wiring; then the female Phoenix connector is plugged into the male Phoenix connector situated at the back of the speaker.

We provide also a "serial cable" that can be used to connect the two central pins of the phoenix connector in the  $32\Omega$  configuration.



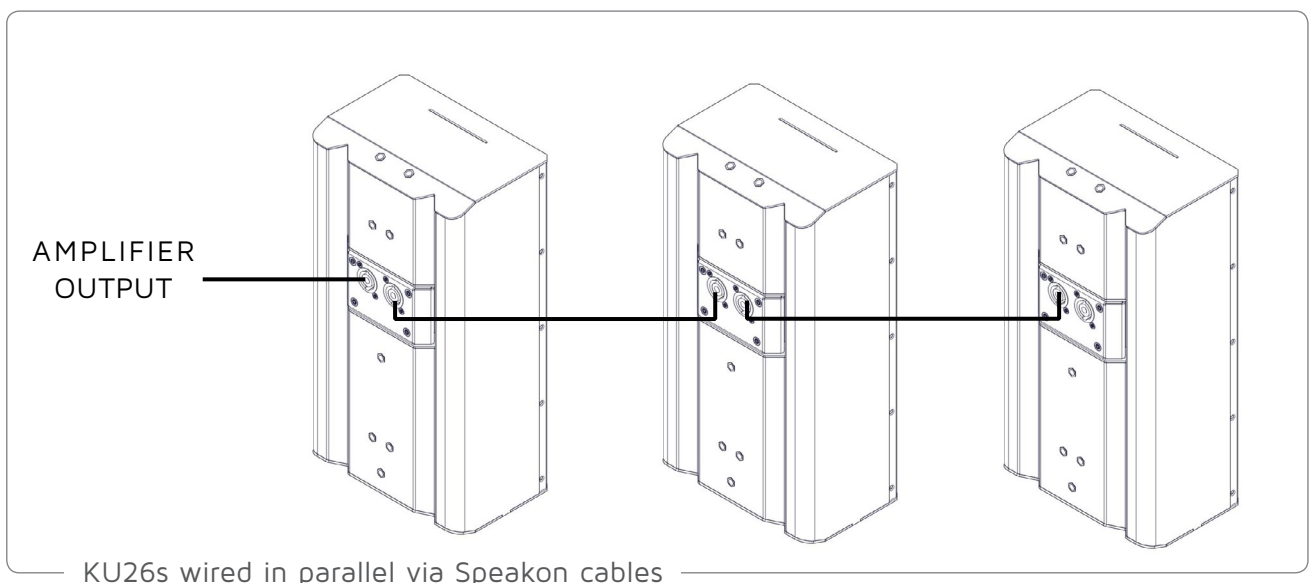
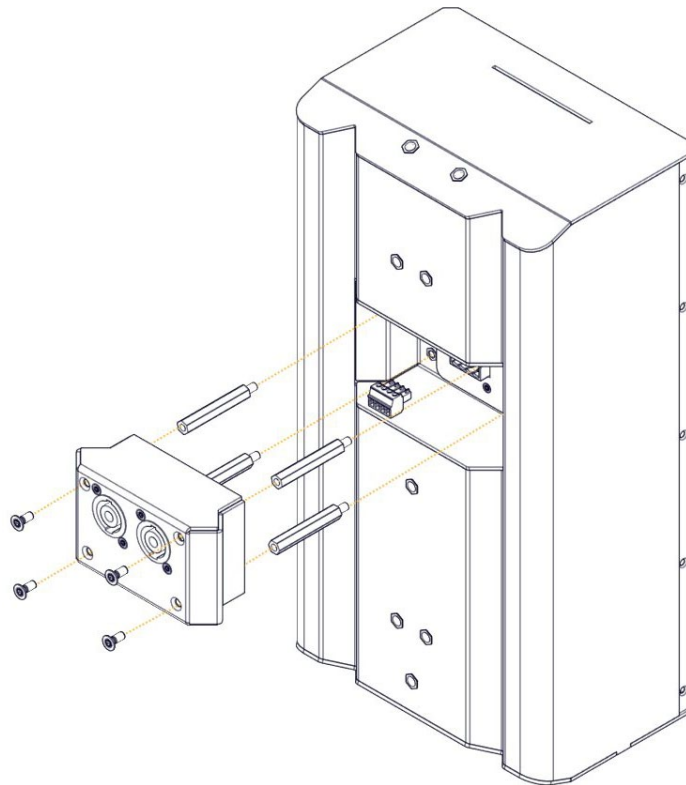
**NOTE**

The K-array KA84 amplifier can drive up to eight KU26 at  $32\Omega$  per channel. The K-array KA24 and KA14 amplifiers can drive up to two KU26 at  $8\Omega$  per channel.



### 8.1 K-2SPK ACCESSORY

This accessory is used to connect a Speakon cable to a KU26. It features two Speakon connectors wired in parallel giving you the possibility to wire two or more KU26s in parallel using only Speakon cables. The two wires situated at the back of the K-2SPK carry the signal from the 1+ contact (red wire) and 1- contact (black wire) of the Speakon connector. Wire them to the phoenix connector as shown in the previous section (by default, they are wired in serial configuration). Use the four screws and the four hexagonal spacers included to mount the K-2SPK on the KU26.

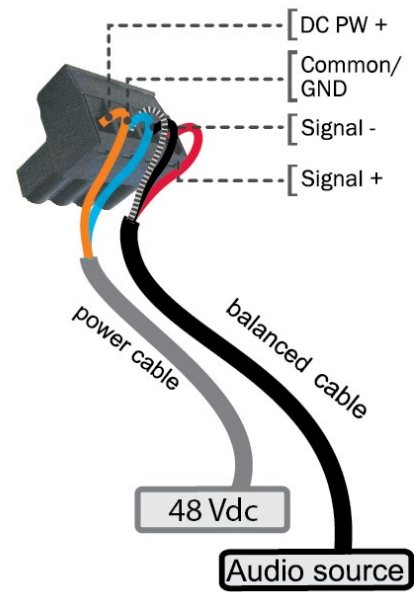
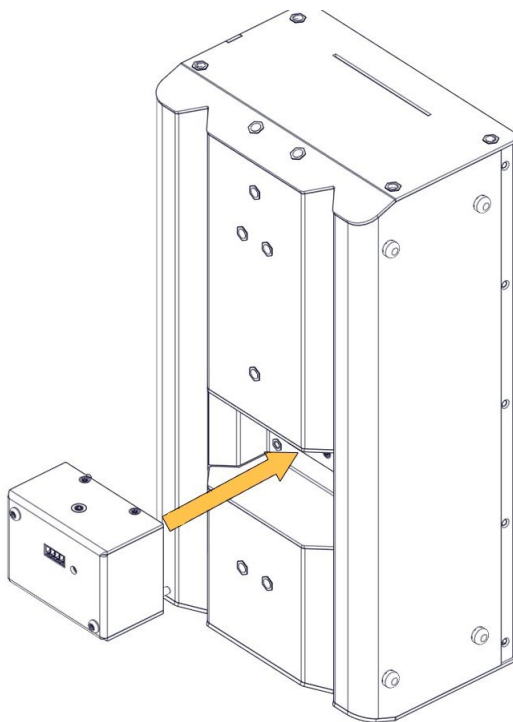


## 9. KA1-UB AMPLIFIER

Born as a passive speaker, the KU26 can be turned into a self-powered speaker by inserting the KA1-UB amplifier module in the back.

The KA1-UB works at 48v. We recommend to use K-array 48v power supplies: K-AL240-48 and K-AL480-48.

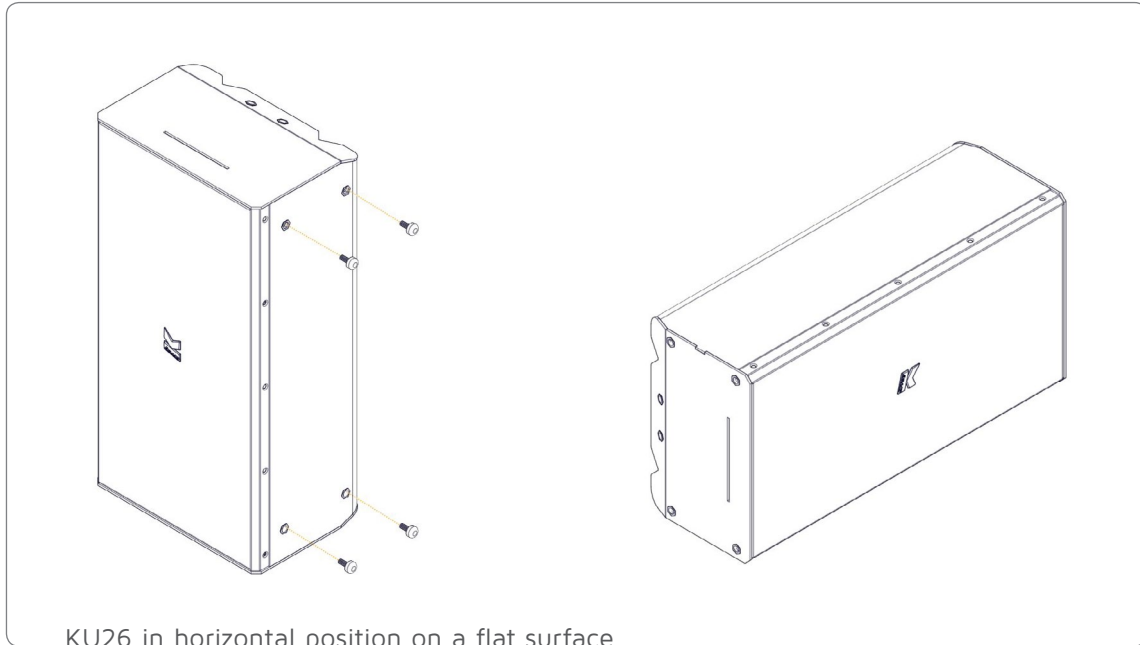
The KA1-UB features a 4-pins phoenix connector carrying both power and balanced audio signal. Follow the wiring diagram below to connect it to the power supply and to the audio source.



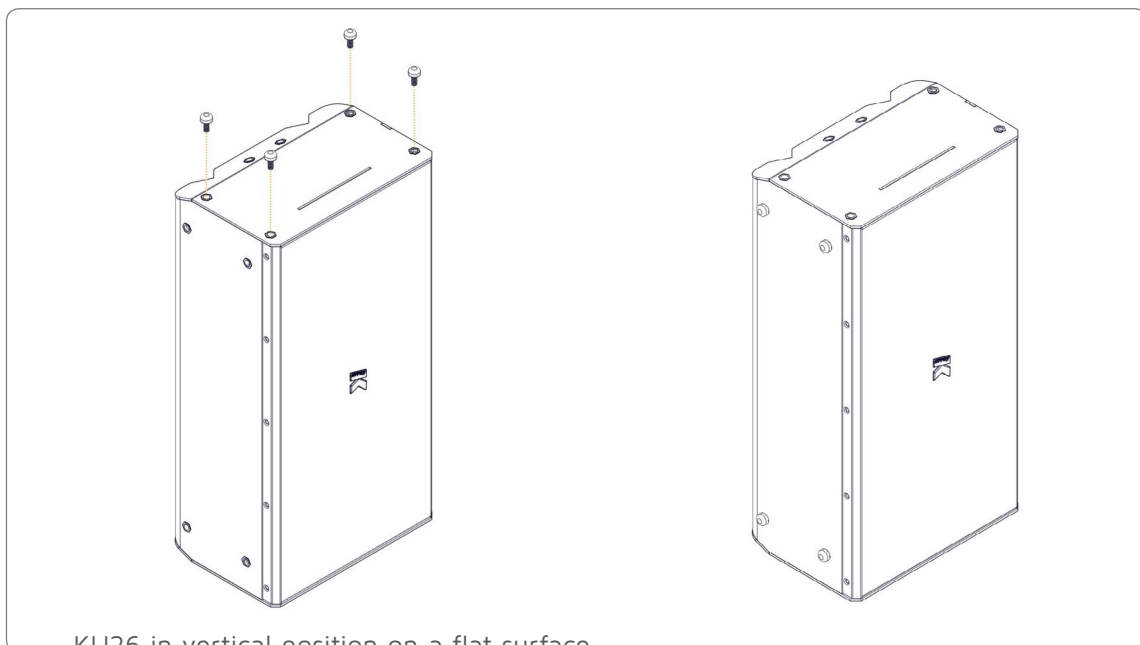
## 10. SET UP

### 10.1 RUBBER FEET MOUNTING

KU26 can be positioned on a flat surface both in horizontal and in vertical position thanks to the four rubber feet included.



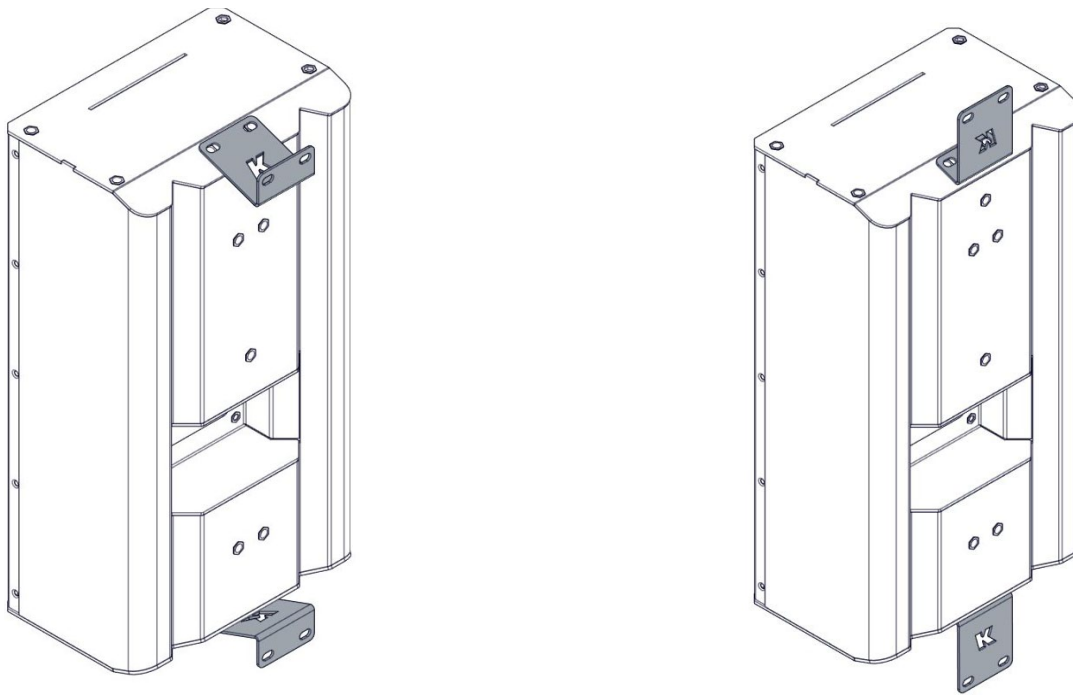
KU26 in horizontal position on a flat surface



KU26 in vertical position on a flat surface

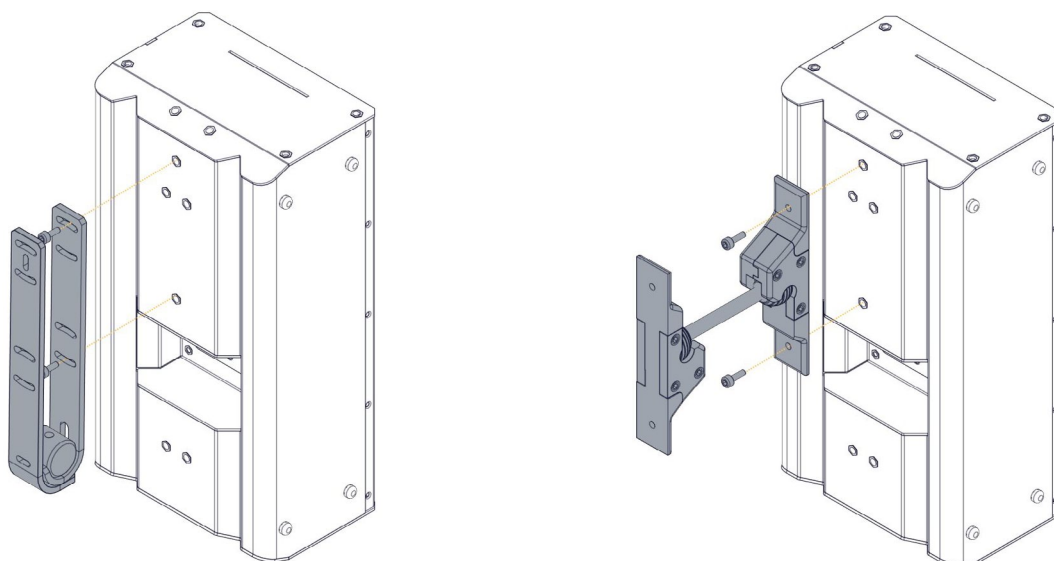
## 10.2 HANGING SETUP

The KU26 can be mounted on the wall using the two included wall brackets.



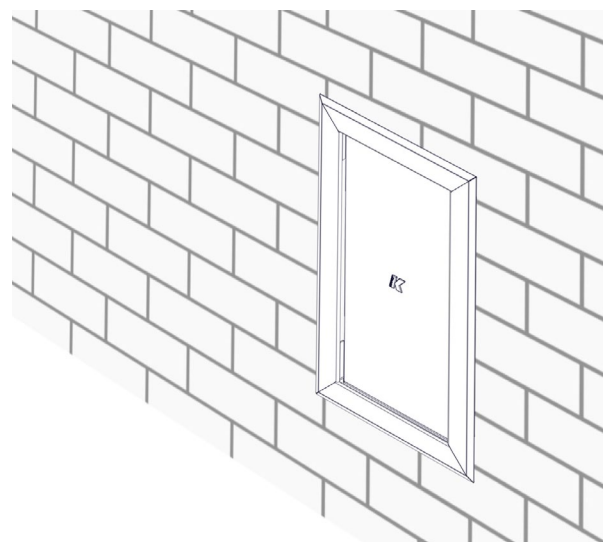
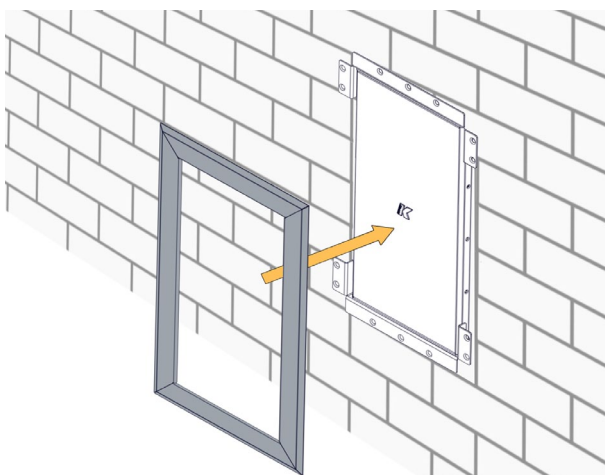
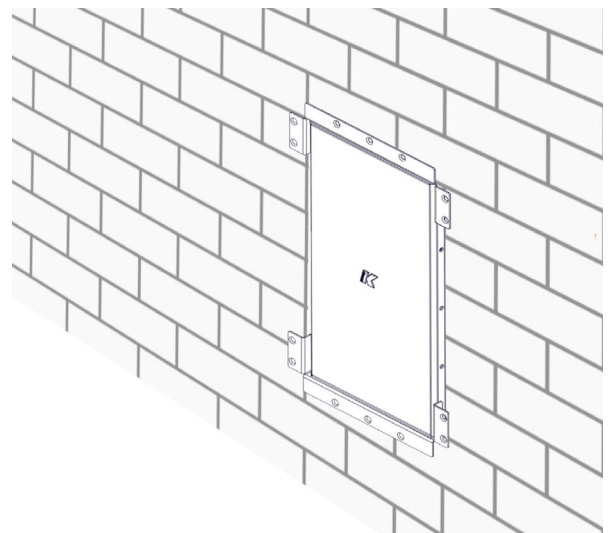
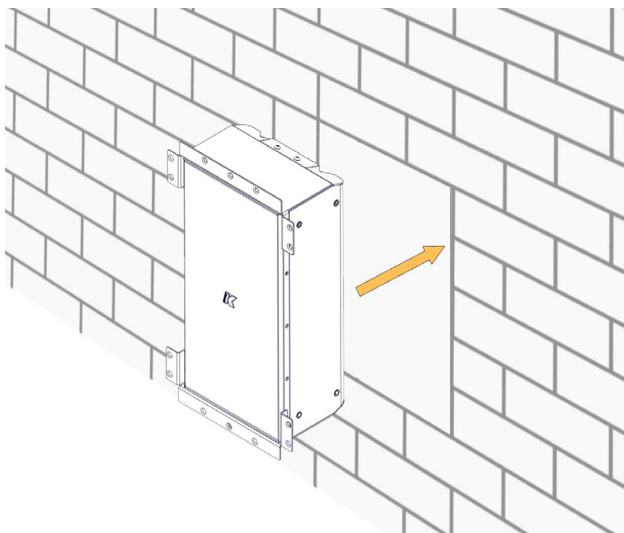
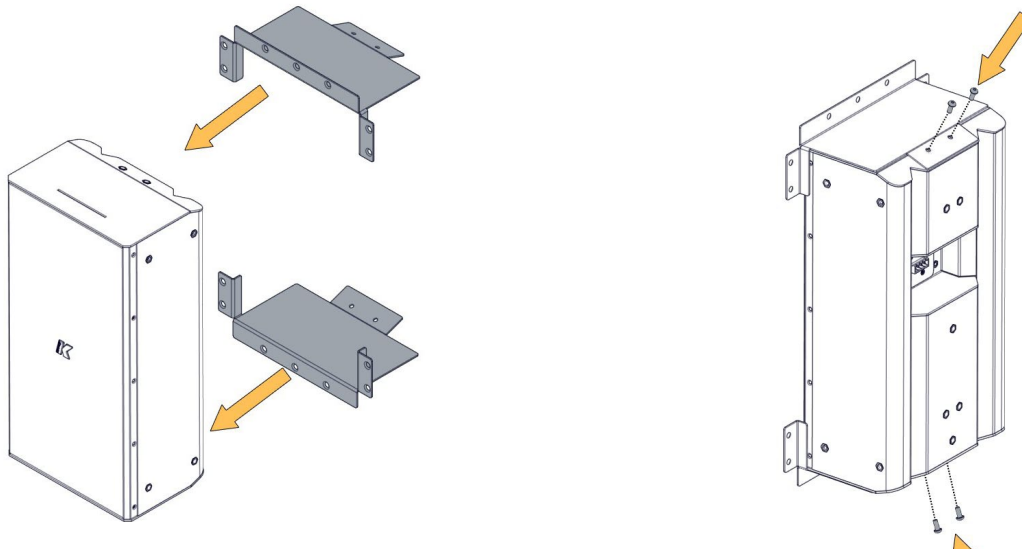
## 10.3 TILTING THE SYSTEM

When a tilting angle is necessary, the KU26 can be mounted on the wall with the K-WALL2L or K-WALL2 accessories (not included).



### 10.4 FLUSHED WALL MOUNT

The KU26 can be easily flush mounted in wall thanks to the K-WF26 accessory (not included).



The frame is affixed magnetically

## 11. SERVICE

To obtain service:

- 1) Contact the official K-array distributor in your country. Your local distributor will direct you to the appropriate service center.
- 2) If you are calling for service, please have the serial number(s) of the unit(s) available for reference. Ask for Customer Service, and be prepared to describe the problem clearly and completely.
- 3) If the problem cannot be resolved over the phone, you may be required to send the unit in for service. In this instance, you will be provided with an RA (Return Authorization) number which should be included on all shipping documents and correspondence regarding the repair. Shipping charges are the responsibility of the purchaser.

Any attempt to modify or replace components of the device will invalidate your warranty. Service must be performed by an authorized K-array service center.



### Cleaning:

Use only a soft, dry cloth to clean the housing. Do not use any solvents, chemicals, or cleaning solutions containing alcohol, ammonia, or abrasives. Do not use any sprays near the product or allow liquids to spill into any openings.

## 12. TECHNICAL SPECIFICATIONS

	<b>ACOUSTICS</b>
Power handling	2 x 80 W
Impedance	8 / 32 Ω selectable (2 x 16 Ω)
Frequency range (-10 dB)	45 Hz – 150 Hz <sup>(1)</sup>
SPL 1W/1mt	98 dB <sup>(2)</sup>
Maximum SPL	115 dB (cont.) – 121 dB (peak) <sup>(3)</sup>
	<b>COVERAGE</b>
Horizontal	omni
Vertical	omni
	<b>CROSSOVER</b>
Type	External crossover required
Frequency	Low pass @ 150 Hz
	<b>TRANSDUCERS</b>
Type	1 x 6" Neodymium magnet with 1.5" voice coil
Type	1 x 6" passive transducer
	<b>POWER AUDIO IN/OUT</b>
Connectors	1 x 4-pin phoenix connector
Wiring	Serial or parallel
	<b>RECOMMENDED AMPLIFIERS</b>
Type	KA14, KA24
	<b>CERTIFICATION</b>
IP	54 (More complete water protection with K-KUIP accessory)
	<b>PHYSICAL</b>
Dimensions	35.0 cm x 18.0 cm x 11.9 cm (13.8" x 7.1" x 4.7")
Weight	5.9 kg (13.0 lbs)

Notes for data

1. With dedicated preset;
2. Measured @4 mt then scaled @1 mt;
3. Measured with musical signal

New materials and design are introduced into existing products without previous notice. Present systems may differ in some respects from those presented in this catalogue.

13. CERTIFICATION



**DECLARATION OF CONFORMITY**

**Manufacturer/Importer:** K-array s.u.r.l.

**Brand:** K-ARRAY  
**Address:** via Paolina Romagnoli 17 50038 Scarperia e S. Piero Firenze ITALY  
**Date of Issue:** 01 / 10 / 2015  
**Model Code:** KU26, KU26W

**Declaration:** Complies with safety essential requirements of Council Directive 2004/108/EC on the approximation of the Laws of the Member States relating to electromagnetic compatibility.  
 2006/95/EC on the harmonisation of the laws of member state relating equipment designed for the use within certain voltage limits  
 This declaration applies to all specimens manufactured in accordance with the attached manufacturing drawings which form part of this declaration. Assessment of compliance of the product with the requirements relating to electromagnetic compatibility and low voltage directive was based on the following standards:

EMC:  
 EN 55103-1:2009  
 EN 55103-2:2009  
 EN 61000-3-2:2006+A1+A2  
 EN 61000-3-3:2008

Safety:  
 EN 60065:2002+A1+A11+A2+A12

**Marking:**



**Applying Year:** 2015

**Applied by:** K-array s.u.r.l.  
 Via Paolina Romagnoli 17  
 50038 Scarperia e S. Piero  
 Firenze Italy  
 Tel. +39 055 8487222  
 Fax +39 055 8487238

**Signed by:** Franco Spataro  
 Technical Manager

K-array s.r.l. a socio unico società soggetta alla attività di direzione e coordinamento di HP Sound Equipment spa  
 P. IVA / VAT / CF 06206990480 - R.E.A. 609589 - Cap. soc. i.v. € 100.000,00

Sede legale: via Paolina Romagnoli 17 50038 Scarperia e San Piero - Firenze - ITALY tel +39 055 8487222 fax +39 055 8487238

[k-array@pec.it](mailto:k-array@pec.it) [www.k-array.com](http://www.k-array.com)