



**Python-KP52 I**

**Python-KP52W I**

## Description

The K-array Python-KP52 I is a passive speaker system comprised of six 3.15" neodymium magnet transducers housed in an elegant and sturdy stainless steel chassis. The vertical dispersion pattern can be switched for wide or narrow coverage, allowing for a great variety of applications. The six closely spaced cone drivers provide true line array characteristics-phase coherence, low distortion and focused listening in both the near field, and at a distance from the speaker. A variety of rigging accessories provides many linking and hanging options for the KP52 I (0.5 meter) and the larger (1 meter) KP102 I to be combined in vertical and horizontal line array configurations to satisfy many different venue requirements during temporary events and for permanent installations. For easier use and integration with other speakers

or amplifiers, the KP52 I allows the user to select two different values of impedance (8Ω – 32Ω). At 32Ω as many as 8 KP52 I speakers can be powered off a single amplifier channel at 4Ω, which eliminates the need of 70V lines for wider distributed installed Pure Array Technology (PAT) systems. The KP52 I is able to reproduce the whole vocal frequency range with high intelligibility, starting from 120 Hz. Integrating one of the K-array powered subwoofers (KMT12, KMT18, KMT21), configured with specific presets for the KP52 I assures excellent coverage of the entire musical frequency range. The K-array KA amplifier series have presets optimized for KP52 I. All KP52 I components are designed by the K-array R&D department and custom-made under the K-array quality control system.

Colors		Premium Finishes		Features		Frequent Applications	
Black		Gold		Pure Array Technology (PAT)	Modular Capabilities	Auditoriums, Education & Government	Stadiums & Sport Venues
White		Polished		Weather Resistant	Selectable Coverage	Fitness & Wellness	Houses Of Worship
RAL		Brushed		Selectable Impedence	EN54-24 Certified	Theaters & Concert Halls	Event Productions

Accessories						
K-BASE2	K-FLY2	K-FOOT2	K-JOINT2	K-WALL2	K-WALL2L	KP-STAGE
K-IP65KTA	K-IP65KITB	K-KCLAMP	K-KCLAMP/S	K-PMOUNT	KP-CLUSTER	

## Technical Specifications

General	
Type	Line array
Transducers	6 x 3.15" neodymium magnet woofers
Frequency Response <sup>1</sup>	120 Hz – 18 kHz (-6 dB)
Max SPL <sup>2</sup>	128 dB (peak)
Rated Power	360 W
Coverage	V. 10° - 45°   H. 90°
Connectors	SpeakOn NL4: 1+ 1- (signal); 2+ 2- (through)
Nominal Impedance	8 Ω / 32Ω selectable

Handling & Finishes	
Dimensions (WxHxD)	89 x 520 x 118 mm (3.5 x 20.5 x 4.7 in)
Weight	5,8 kg (12.78 lb)
Material	Stainless Steel
Colors	Black, White, Custom RAL
Finishes	Gold, Polished, Brushed

Regulations	
IP Rating	IP64 <sup>3</sup>
EN54-24	EN 54-24:2008 compliant <sup>4</sup>

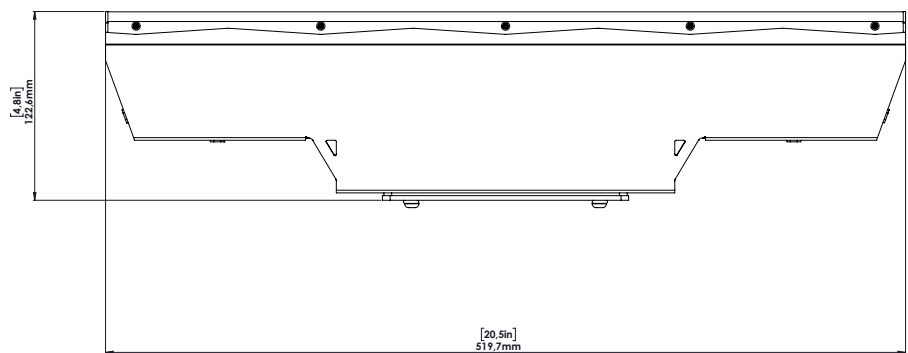
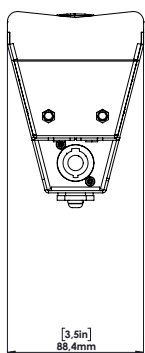
Accessories	
Recommended Amplifier	Kommander-KA24, Kommander-KA84, Thunder-KMT12, Thunder-KMT18, Thunder-KMT21
Accessories	K-BASE2, K-FLY2, K-FOOT2, K-IP65KITA, K-IP65KITB, K-JOINT2, K-KCLAMP, K-KCLAMP/S, K-WALL2, K-WALL2L, KP-CLUSTER, K-PMOUNT, KP-STAGE

<sup>1</sup> With dedicated preset

<sup>2</sup> Maximum SPL is calculated using a signal with crest factor 4 (12dB) measured at 8 m then scaled at 1 m

<sup>3</sup> More complete water protection with K-IP65KITA and K-IP65KITB accessories (IP65 compliant)

<sup>4</sup> See specification for EN 54-24 applications in products user's guide



### Notes for data:

Passive loudspeakers require dedicated presets loaded onboard K-array amplifiers.  
 New materials and designs are introduced into existing products without previous notice.  
 Present systems may differ in some respects from those presented in this catalog.

