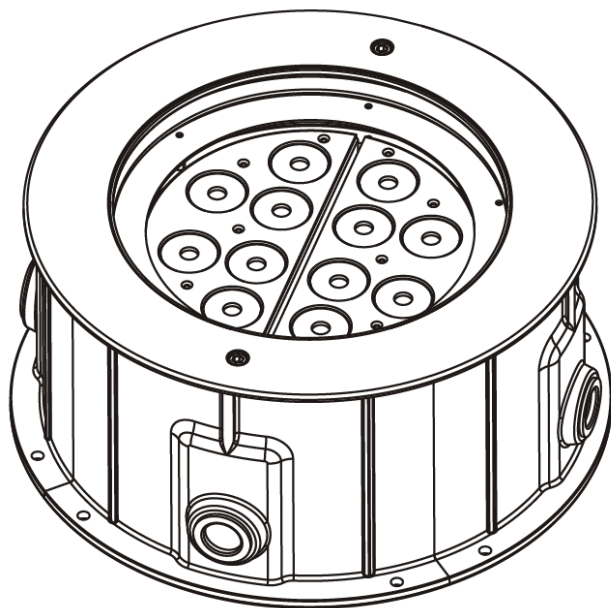


Illumipod Inground Tri-12 IP

Quick Reference Guide



ILUMINARC®

What is Included

- One Ilumipod Inground Tri-12 IP
- Concrete installation sleeve
- One Warranty Card
- One Quick Reference Guide

About this Guide

The Ilumipod Inground Tri-12 IP Quick Reference Guide (QRG) only contains the product's connection and mounting information as well as the menu options and the DMX values. This QRG does not replace the product's user manual. You must download the user manual from the ILUMINARC® Web site (www.iluminarc.com) to learn about the disclaimers, safety notes, programming modes and technical information.

Product at a Glance

Use on Dimmer	X	Auto Programs	X
Outdoor Use	P	Auto-ranging power supply	P
Sound Activated	X	Replaceable Fuse	X
DMX	P	User Serviceable	X
Master/Slave	X	Duty Cycle	X

Features

- Remote addressable DMX-512 LED inground wash light
- Operating modes:
 - 1-channel: Dimmer
 - 3-channel: RGB control
 - 4-channel: RGB, dimmer
 - 6-channel: RGB per module
 - 7-channel: RGB, dimmer, macro, strobe, dimming speed
- Blackout/static/dimmer/strobe/pulse
- IP67 ingress protection
- High power 3 W (1,050 mA) tri-color LEDs
- IP67 stainless steel gland nuts for cable entry
- Adjustable module angle
- Cast aluminum and stainless steel housing
- Impact resistant glass lens cover (drive-over rated)
- Polished stainless steel mounting ring

Options

- Ilumicode compatible
- ILUMICON compatible
- Installed (non-changeable) optical system:
 - 15° lenses P/N: 11012001

Installation Notes

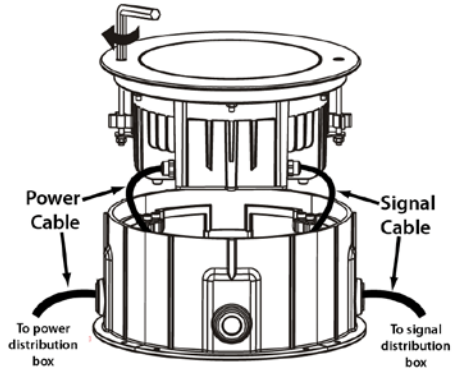
The Illumipod Inground Tri-12 IP consists of two parts, the fixture housing and the concrete installation sleeve. The fixture housing is IP67 rated, but the sleeve is not. Please pay close attention to the installation instructions for the concrete installation sleeve regarding leveling and drainage.

You will have to run the AC power and signal cables into the concrete installation sleeve and the fixture's housing. Do not use the fixture's junction box to extend the power or signal cables to other units because it may compromise the IP rating of the junction box. Instead, use individual cables from the fixture to the corresponding distribution boxes.

Always keep the power cables away from the signal cables by running them in different conduits and using separated distribution boxes.

Installation Sleeve Orientation

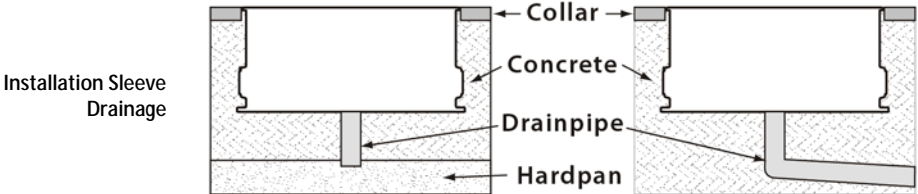
Orient the installation sleeve to allow the signal cable to enter the sleeve using one of the four cable inlets and the power cable to use the opposite inlet, as seen in the figure. This will reduce the stress to the signal and power cables when installing the fixture, while keeping them separated.



Installation Sleeve Setup

When setting up the installation sleeve, make sure that any water that may have entered it can drain out of the sleeve on its own. Locate the installation sleeve above the normal drainage level so the fixture does not become submerged in more than 1 m of water (IP67) during heavy rain.

In addition, make sure that the installation sleeve allows the stainless steel collar to be leveled and flushed with the ground surface to distribute the load uniformly over the fixture's surface.

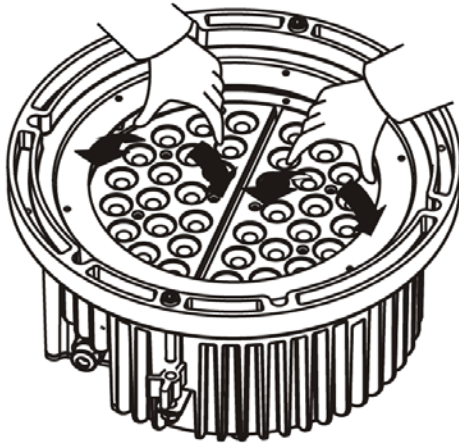


The Illumipod Inground Tri-12 IP can support a distributed load of up to 3,000 kg (6,614 lbs) when properly installed.

Beam Angle Adjustment

The Illumipod Inground Tri-12 IP has two LED modules. You can adjust the angle of each of these modules to spread or narrow the fixture's beam. To do so, follow these steps:

- Loosen the ¼ turn Allen bolts on the stainless steel collar.
- Lift the fixture from the installation sleeve, making sure not to stretch the power and signal cables.
- Loosen the six nuts that hold the collar to the housing, except two adjacent ones.
- Wait a few seconds for the seal to expand. This lowers the possibility of damaging the seal.
- Complete the removal of the two remaining nuts.
- Remove the stainless steel collar.
- Carefully, lift and remove the protective glass and seal. Make sure not to reverse the glass.
- Using only your hands, push on the sides of each module to adjust its angle, as shown in the figure below.
- Replace the glass and seal.
- Replace the stainless steel collar, making sure to allow the Allen screws to show and that the glass is flushed with the collar.
- Replace all six nuts and adjust them manually until they touch the housing.
- Tighten the nuts uniformly by alternating between opposite nuts.
- Reattach the fixture to the installation sleeve.

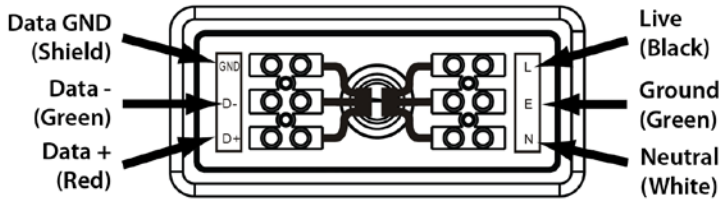


AC Power This product has an auto-ranging power supply that can work with an input voltage range of 100~240 VAC, 50/60 Hz.

Junction Box This fixture has an IP67 rated junction box where the power and signal cables come into the unit. The cables access the junction box through individual (signal and power) IP67 rated stainless steel gland nuts.

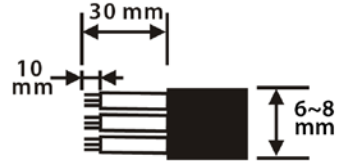
Make sure that the junction seal is clean before placing the cover back on. In addition, tighten the gland nuts and the junction cover to prevent water from entering the junction box and cause a short.

The figure below shows the connections in the junction box.



Power Wiring To provide AC power to this fixture, you must run a single STJW rated, 3-conductor cable (AWG18/3, 6~8 mm external diameter) from the power distribution box into the installation sleeve and the fixture's junction box.

Make sure to strip the end of the AC power cable that will connect to the junction box as indicated in the figure on the right.



Power Cable Table

Connection	Wire (US)	Wire (Europe)
AC Live	Black	Brown
AC Neutral	White	Blue
AC Ground	Green/Yellow	Green/Yellow

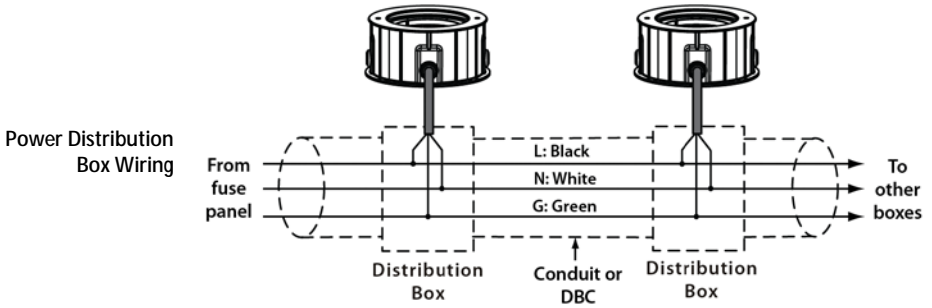
Signal Wiring To provide signal to this fixture, you must run a single, IP67 rated DMX signal cable (shielded, 2-conductor, AWG24/2, 6.5 mm external diameter) from the signal distribution box into the installation sleeve and the fixture's junction box. The signal cable must match or exceed the electrical characteristics of the Belden® 9841 cable for EIA RS-485 applications.

VERY IMPORTANT

Make sure to use power and signal cables with the indicated outer diameters to ensure that the corresponding gland nut makes full contact with the cable's external insulation. This is required to ensure watertightness once fully adjusted.

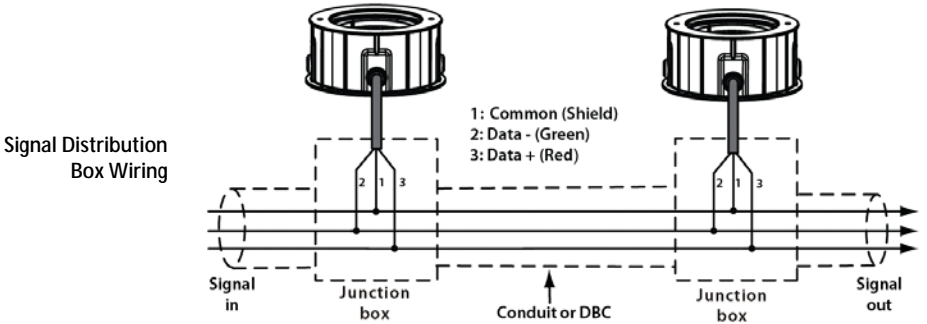
Power Distribution

You must connect the bare-ended power cable from the fixture to a power distribution box. If you choose to bury the power distribution boxes, make sure that they are IP67 rated.



Signal Distribution

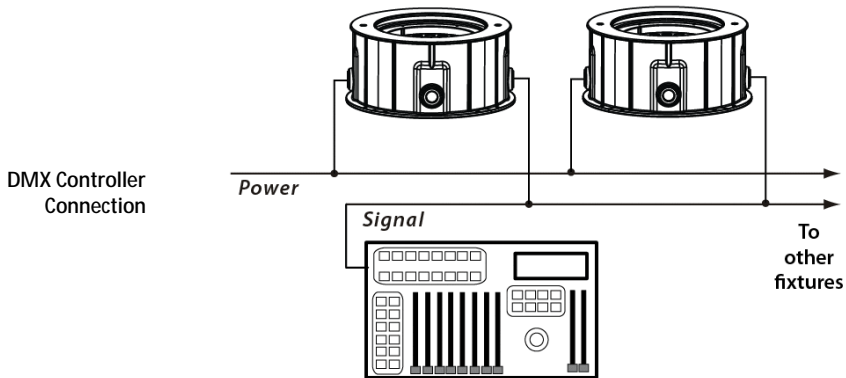
You must connect the bare-ended signal cable from the fixture to a signal distribution box. If you choose to bury the signal distribution boxes, make sure that they are IP67 rated.



DMX Controller

The Illumipod Inground Tri-12 IP can work with a standard DMX controller. The channel assignments will depend on the chosen personality (see *Menu Options*) and the DMX address assigned to each fixture (see *Settings*).

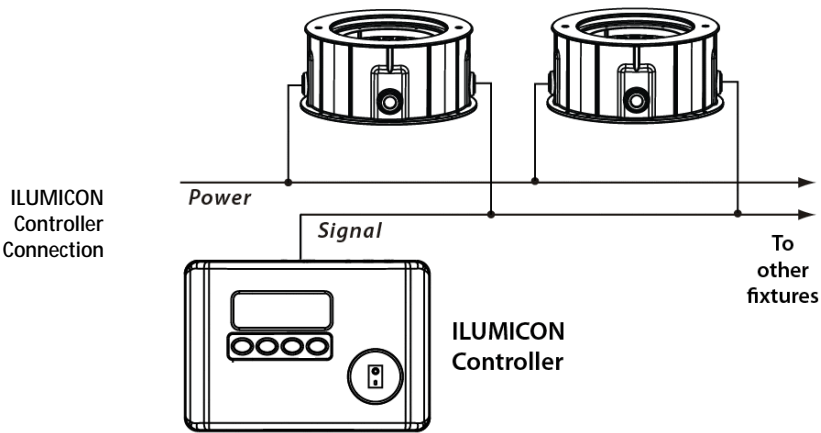
The figure below illustrates how to connect the DMX controller to the Illumipod Inground Tri-12 IP fixture(s).



ILUMICON

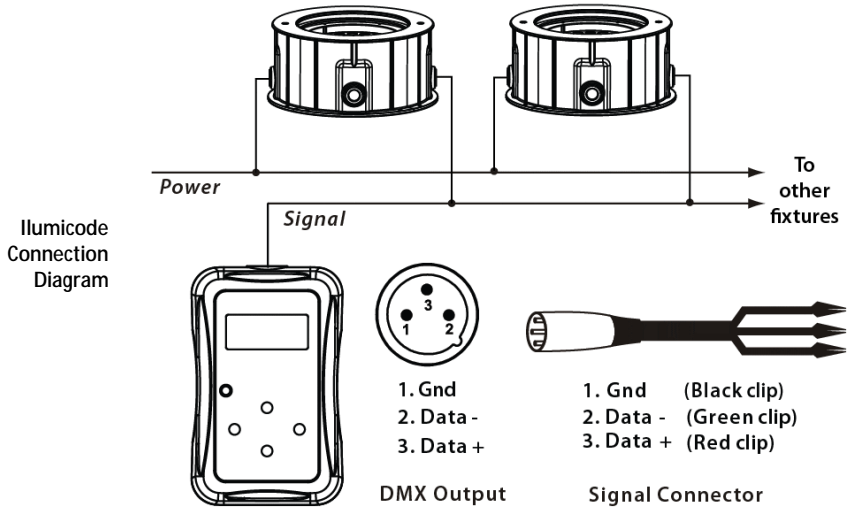
The Illumipod Inground Tri-12 IP can also work with the ILUMICON controller instead of a standard DMX controller. Please refer to the ILUMICON user manual to learn how to use it with this fixture.

The figure below illustrates how to connect the ILUMICON controller to the Illumipod Inground Tri-12 IP fixture(s).



Settings The Illumipod Inground Tri-12 IP uses the Ilumicode unit for configuration purposes.

Ilumicode Connection The diagram below shows how to connect the Ilumicode to this product. Note that this connection will control multiple fixtures at the same time, all having the same DMX address. To assign individual DMX addresses to each fixture, you must connect the Ilumicode unit to each fixture, individually.



ILUMINARC® suggests you to connect no more than 20 fixtures in this mode and to keep the total distance to less than 60 m (197 ft). Otherwise, you might need to use an optically isolated signal amplifier.

Ilumicode Description

Button	Function
<MENU>	Exits from the current menu or function
<ENTER>	Enables the currently displayed menu or sets the currently selected value into the selected function
<UP>	Navigates upwards through the menu list and increases the numeric value when in a function
<DOWN>	Navigates downwards through the menu list and decreases the numeric value when in a function

Menu Options	1ST Level	2nd Level	3rd Level	Instructions
	<i>DMX</i>	001~512	N/A	Sets the DMX starting address
<i>PERSON</i>		ARC 1	N/A	3-channel: RGB control
		ARC 1 + D		4-channel: RGB + dimmer (D)
		ARC FULL		7-channel: RGB, D, macro, strobe, speed
		REMOTE		The fixture operates with ILLUMICON
		SOLID		1-channel: D
		SPECIAL 1		6-channel: RGB per module
<i>CALIB</i>		<i>WHITE 1~11</i>	<i>RED</i>	000~255 Defines the White color temperature used in Macros
		<i>RGBTOW (1)</i>	<i>GREEN</i>	
				<i>BLUE</i>
<i>DIMMER</i>		OFF	N/A	The dimmer works in linear mode
		DIM 1~4		The dimmer works in non-linear mode, from fast (DIM1) to slow (DIM4).
<i>STATIC</i>		<i>RED</i>	000~255	Combines RGB values to form a static color
		<i>GREEN</i>		
		<i>BLUE</i>		
		<i>STRB</i>	00~20	Sets the strobe frequency (0~20 Hz)
<i>SETTINGS</i>	<i>COLOR</i>		OFF	When RGB = 255, output is maximum
			RGBTOW (2)	When RGB = 255, output is the one defined in RGBTOW (1)
			UC	When RGB = 255, output matches older models of the same fixture
	<i>RESET</i>		NO	
			YES	

DMX Values

ARC FULL

Channel	Function	Value	Setting
1	Dimmer	000 ○ 255	0~100%
2	Red	000 ○ 255	0~100%
3	Green	000 ○ 255	0~100%
4	Blue	000 ○ 255	0~100%
5	Color Macro + White Balance	000 ○ 010 No Function 011 ○ 030 Red 100% - Green Up - Blue 0% 031 ○ 050 Red Down - Green 100% - Blue 0% 051 ○ 070 Red 0% - Green 100% - Blue Up 071 ○ 090 Red 0% - Green Down - Blue 100% 091 ○ 110 Red Up - Green 0% - Blue 100% 111 ○ 130 Red 100% - Green 0% - Blue Down 131 ○ 150 Red 100% - Green Up - Blue Up 151 ○ 170 Red Down - Green Down - Blue 100% 171 ○ 200 Red 100% - Green 100% - Blue 100% - White 100% 201 ○ 205 White 1: 3,200 K 206 ○ 210 White 2: 3,400 K 211 ○ 215 White 3: 4,200 K 216 ○ 220 White 4: 4,900 K 221 ○ 225 White 5: 5,600 K 226 ○ 230 White 6: 5,900 K 231 ○ 235 White 7: 6,500 K 236 ○ 240 White 8: 7,200 K 241 ○ 245 White 9: 8,000 K 246 ○ 250 White 10: 8,500 K 251 ○ 255 White 12: 10,000 K	
6	Strobe	000 ○ 004 No Function 005 ○ 255 0~20 Hz	
7	Dimming Speed	000 ○ 009 Dimmer is set by Ilumicode 010 ○ 029 OFF (Dimmer is linear) 030 ○ 069 DIM1 (Fastest dimmer curve) 070 ○ 129 DIM2 130 ○ 189 DIM3 190 ○ 255 DIM4 (Slowest dimmer curve)	

SPECIAL 1

Channel	Function	Value	Percent/Setting
1	Module 1 Red	000 ó 255	0~100%
2	Module 1 Green	000 ó 255	0~100%
3	Module 1 Blue	000 ó 255	0~100%
4	Module 2 Red	000 ó 255	0~100%
5	Module 2 Green	000 ó 255	0~100%
6	Module 2 Blue	000 ó 255	0~100%

ARC 1

Channel	Function	Value	Percent/Setting
1	Red	000 ó 255	0~100%
2	Green	000 ó 255	0~100%
3	Blue	000 ó 255	0~100%

ARC 1 + D

Channel	Function	Value	Percent/Setting
1	Dimmer	000 ó 255	0~100%
2	Red	000 ó 255	0~100%
3	Green	000 ó 255	0~100%
4	Blue	000 ó 255	0~100%

SOLID

Channel	Function	Value	Percent/Setting
1	Dimmer	000 ó 255	0~100%

Contact Us

World Headquarters

ILUMINARC®

General Information

Address: 5200 NW 108th Avenue
Sunrise, FL 33351
Voice: (954) 923-3680
Fax: (954) 929-5560

Technical Support

Voice: (954) 923-3680 (Press 4)
Fax: (954) 929-5560
Email: support@iluminarc.com

World Wide Web

www.iluminarc.com

United Kingdom and Ireland

ILUMINARC®

General Information

Address: Unit 1C
Brookhill Road Industrial Estate
Pinxton, Nottingham, UK
NG16 6NT
Voice: +44 (0)1773 511115
Fax: +44 (0)1773 511110

Technical Support

Email: support@iluminarc.com

World Wide Web

www.iluminarc.com

Illumipod Inground Tri-12 IP QRG – Rev. 02

© Copyright 2014 ILUMINARC®

All rights reserved.

Printed in the P. R. C.



UL 1573

CSA C22.2 No. 166

E113093

