

ILUMINARC®

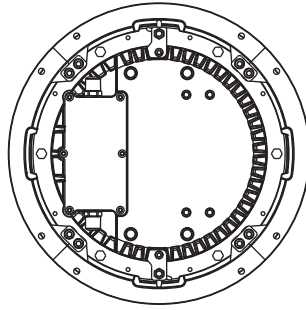
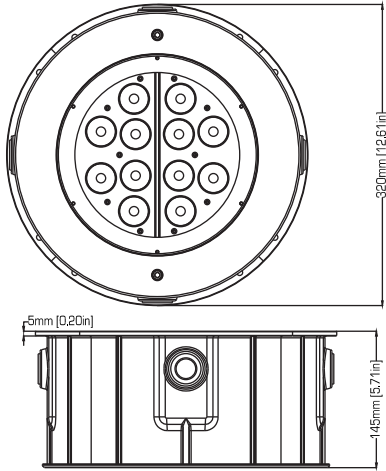
ILUMIPOD INGROUND Tri-12 IP OPTIC 25 RGB

Item Number: 11012001

Client: _____

Project: _____

Date: _____ Type: _____



LIGHT SOURCE & OPTICAL SPECIFICATIONS

Light Source: 12 LEDs (tri-color, RGB) 3 W (1,050 mA)
Light Source Lifespan: 50,000 hours based on LED manufacturer's specifications
Installed Optics: 25°
Beam Angle: 18°
Field Angle: 34°
Lumens: 679
Base Illuminance: 225 lux at 5 m
Efficacy: 17.4 lm/W
Color Temperature Presets: N/A
Minimum Distance to Illuminated Surface: 4 in (92 mm)

CONSTRUCTION & PHYSICAL SPECIFICATIONS

Diameter: 12.6 in (320 mm)
Height: 5.7 in (145 mm) (mounted in pour kit)
Weight: 17.6 lb (8 kg)
Color: Brushed stainless steel
Ingress Protection Rating: IP67
Housing Material: Cast aluminum, Stainless steel
Lens Cover: Drive-over rated glass
Installation Orientation: Any

CONTROL SPECIFICATIONS

Control Protocol: USITT DMX-512a
Control Channels: 1, 3, 4, 6 or 7
Operating Modes: Selectable personalities
Solid (1-channel): dimmer
Arc 1 (3-channel): red, green, blue
Arc 1+D (4-channel): dimmer, red, green, blue
Special1 (6-channel): red, green, blue per module (two modules)
Arc Full (7-channel): dimmer, red, green, blue, color macros, strobe, dimming speed
Stand Alone Control: N/A
Remote Addresser: Ilumicode

ELECTRICAL SYSTEM SPECIFICATIONS

Input Voltage: 100 to 240 VAC, 50/60 Hz (auto-ranging)
Power and Current:
38 W, 0.6 A at 120 V
40 W, 0.3 A at 230 V
Power Supply: Electronic internal
Dimmer: Electronic
Power Linking: N/A

THERMAL SPECIFICATIONS

Cooling: Convection
Startup Temperature Range: -4 °F to 113 °F (-20 to 45) °C
Operating Temperature Range: -40 °F to 113 °F (-40 to 45) °C
Storage Temperature Range: -40 °F to 167 °F (-40 to 75) °C

REGULATORY & VOLUNTARY QUALIFICATION

Certification Listings: MET, CE
Environment: Wet location, IP67
Warranty: 36 month manufacturer's limited warranty (for covered regions only)

WWW.ILUMINARC.COM - INFO@ILUMINARC.COM

Iluminarc reserves the right to make improvements to this product and its specifications at anytime without notice.

Product
Web Page



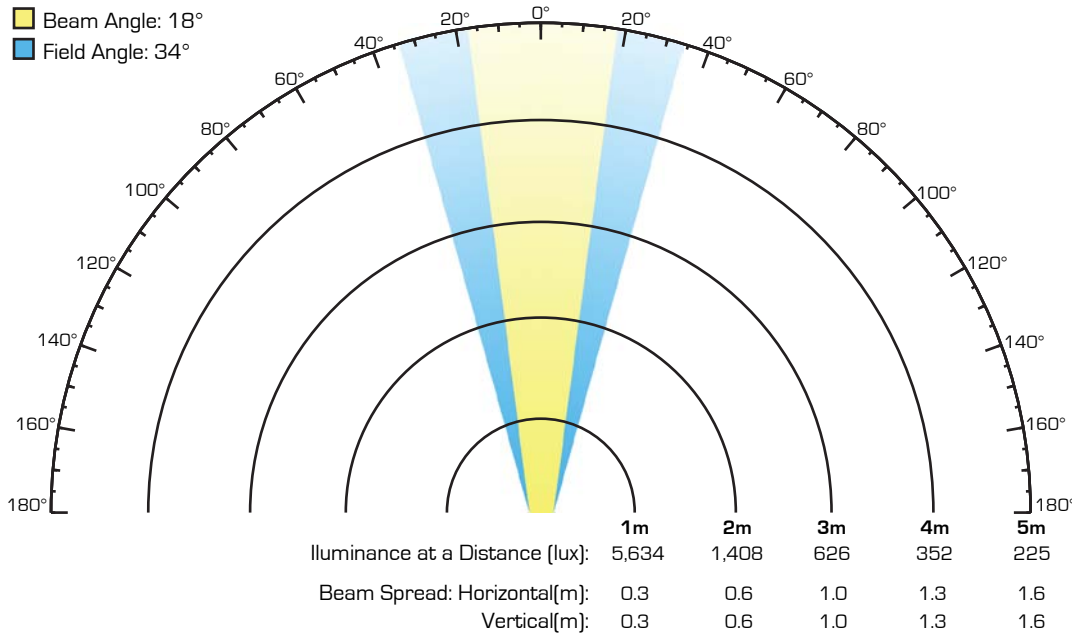
ILUMINARC.
5200 NW 108th Ave.
Sunrise, FL 33351
+1.954.923.3680

ILUMIPOD INGROUND Tri-12 IP OPTIC 25 RGB

Item Number: 11012001

Illumipod Inground Tri-12 IP Optic 25 RGB

- Beam Angle: 18°
- Field Angle: 34°



Illumipod Inground Tri-12 IP Optic 25 RGB Typical Installation

