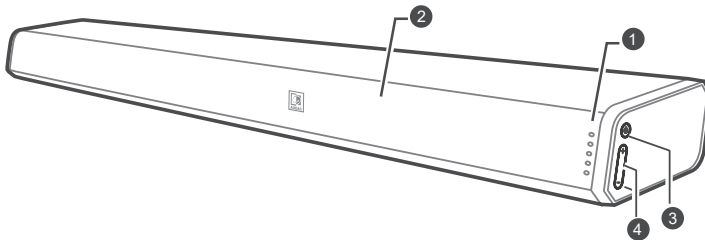




The quick start guide gives you an overview of all the functions of the IMEO2. It allows you to get started with the installation of it in your project. To get a detailed explanation of all functions, please check the complete manual which is available on the web page <https://manuals.audac.eu/IMEO2> or scan the QR code as shown on top of this page.

## Front

---



### 1) Status indicator LED's:

These LED's indicate the current operation status of the IMEO2. Various color LED's indicate following statuses:

- Red: Standby mode
- Green: (Blinking) USB / (Illuminated) AUX (3.5 mm jack input)
- Blue: Bluetooth mode
- Orange: (Illuminated) Optical / (Blinking) Coaxial mode
- White: HDMI ARC mode

### 3) Power button:

The power button allows to switch on and off the unit. Press to switch the sound bar on. Press and hold to switch the sound bar off. Repeatedly press (short term) to switch between the various operation modes

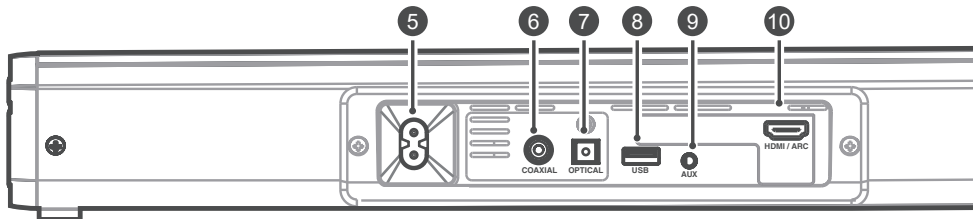
(USB / AUX / BLUETOOTH / OPTICAL / COAXIAL / HDMI ARC).

### 2) Remote control (IR) sensor:

The remote control (IR) sensor is located behind the front grill of the IMEO2. This sensor requires a line-of-sight connection with the remote control. Make sure this sensor is not covered or blocked.

### 4) +/- buttons:

The + / - buttons allow to increase or decrease the volume level.



## 5) AC Power inlet connection:

The mains power supply (100-240V AC - 50/60 Hz) has to be applied to this AC power inlet. The connection is made by an IEC C8 power connector and the power lead is standard fitted, but can be unplugged for convenient assembly.

## 6) Coaxial input connection:

The coaxial input connection (RCA) allows connecting the sound bar to any TV, receiver or other source device with an coaxial SP/DIF output connection.

## 7) Optical input connection:

The optical input connection (Toslink) allows connecting the sound bar to any TV, receiver or other source device with an optical SP/DIF output connection.

## 8) USB socket:

The USB connection allows connection to memory devices. This allows previously stored audio sources to be played back (MP3, FLAC, WAV).

## 9) AUX socket:

The AUX input connection (3.5 mm jack) allows connecting the sound bar to any stereo line-level audio source. It can be a connection between a portable device such as smartphone, tablet, laptop or headphone output of any device.

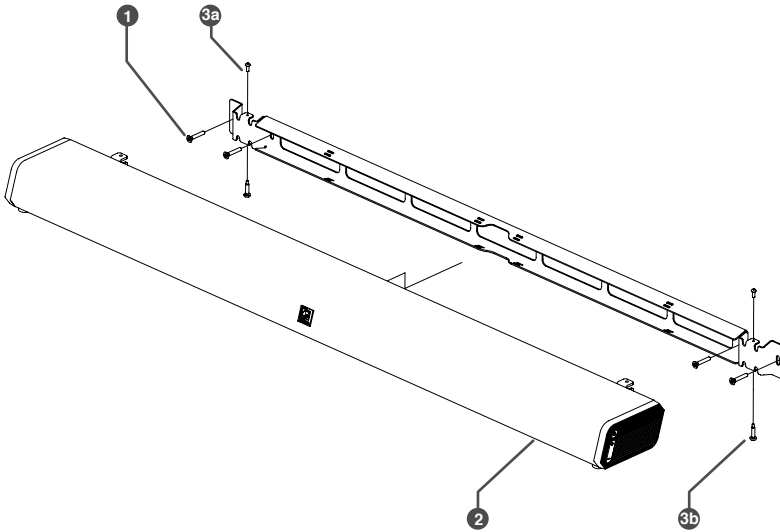
## 10) HDMI ARC socket:

The HDMI input socket allows connecting the soundbar to any TV or projector with an HDMI connection supporting ARC functionality

## Using Bluetooth

The first time when your Bluetooth portable device is connected (smartphone, tablet, ...) it needs to get paired. For getting it paired, the sound bar shall be switched ON and in Bluetooth mode. This can be done using the power button on the side of the unit, or the remote control. When in Bluetooth mode, the blue LED behind the front grill will blink. Activate the Bluetooth mode in your portable device and search for devices.

The device name 'AUDAC IMEO2' will appear on your Bluetooth device list. If the device can't be found, press and hold the ►|| / PAIR button on the remote control to be discoverable. The system will enter in pairing mode and two 'beeps' will be heard through the speakers. The Bluetooth indicator (blue LED) will blink fast. Select 'AUDAC IMEO2' from the device list and an 'uplifting beep' will be heard through the speakers. The Bluetooth indicator (blue LED) will illuminate constantly.



## 1) Attach the wall support bar:

The support bar has to be fixed to the wall by four screws which need to get fitted through the provided slots. The provided slots have an elliptical shape, allowing the possibility for slightly adjusting the position to make it perfectly level.

Make sure the appropriate fasteners are used, depending on the mounting surface

(brick, concrete, wood, ...)

## 2) Attach the speaker

After the wall support bar is attached and the connections are made, the soundbar shall be fixed to the wall plate. This is done by sliding the hooks assembled to the soundbar into the provided slots on the wall support bar and fixing them with security bolts.

## 3a) TOP security bolt:

This option can be selected in the situation that no object is placed above the IMEO2. To prevent the IMEO2 from falling, attach safety screws on top of the fixing hooks.

## 3b) BOTTOM security bolt:

There is the option of fixing the speaker from below when an object is placed above of the IMEO2. Attach the custom safety screws at the bottom of the fixing hooks.

### CAUTION - SERVICING

This product contains no user serviceable parts. Refer all servicing to qualified service personnel. Do not perform any servicing (unless you are qualified to)

### EC DECLARATION OF CONFORMITY

This product conforms to all the essential requirements and further relevant specifications described in following directives: 2014/30/EU (EMC) , 2014/35/EU (LVD) and 2014/53/EU (RED)

### WASTE ELECTRICAL AND ELECTRONIC EQUIPMENT (WEEE)

The WEEE marking indicates that this product should not be disposed with regular household waste at the end of its life cycle. This regulation is created to prevent any possible harm to the environment or human health.

This product is developed and manufactured with high quality materials and components which can be recycled and/or reused. Please dispose this product at your local collection point or recycling centre for electrical and electronic waste. This will make sure that it will be recycled on an environmentally friendly manner, and will help to protect the environment in which we all live.

### CAUTION

The symbols shown are internationally recognized symbols that warn about potential hazards of electrical products. The lightning flash with arrowpoint in an equilateral triangle means that the unit contains dangerous voltages. The exclamation point in an equilateral triangle indicates that it is necessary for the user to refer to the users manual.



These symbols warn that there are no user serviceable parts inside the unit. Do not open the unit. Do not attempt to service the unit yourself. Refer all servicing to qualified personnel. Opening the chassis for any reason will void the manufacturer's warranty. Do not get the unit wet. If liquid is spilled on the unit, shut it off immediately and take it to a dealer for service. Disconnect the unit during storms to prevent damage.

### CAUTION - SERVICING

ALWAYS KEEP THESE INSTRUCTIONS. NEVER THROW THEM AWAY

ALWAYS HANDLE THIS UNIT WITH CARE

HEED ALL WARNINGS

FOLLOW ALL INSTRUCTIONS

NEVER EXPOSE THIS EQUIPMENT TO RAIN, MOISTURE, ANY DRIPPING OR SPLASHING LIQUID. AND NEVER PLACE AN OBJECT FILLED WITH LIQUID ON TOP OF THIS DEVICE

NO NAKED FLAME SOURCES, SUCH AS LIGHTED CANDLES, SHOULD BE PLACED ON THE APPARATUS

DO NOT PLACE THIS UNIT IN AN ENCLOSED ENVIRONMENT SUCH AS A BOOKSHELF OR CLOSET. ENSURE THERE IS ADEQUATE VENTILATION TO COOL THE UNIT. DO NOT BLOCK THE VENTILATION OPENINGS.

DO NOT STICK ANY OBJECTS THROUGH THE VENTILATION OPENINGS.

DO NOT INSTALL THIS UNIT NEAR ANY HEAT SOURCES SUCH AS RADIATORS OR OTHER APPARATUS THAT PRODUCE HEAT.

DO NOT PLACE THIS UNIT IN ENVIRONMENTS WHICH CONTAIN HIGH LEVELS OF DUST, HEAT, MOISTURE OR VIBRATION

THIS UNIT IS DEVELOPED FOR INDOOR USE ONLY. DO NOT USE IT OUTDOORS

PLACE THE UNIT ON A STABLE BASE OR MOUNT IT IN A STABLE RACK

ONLY USE ATTACHMENTS & ACCESSORIES SPECIFIED BY THE MANUFACTURER

UNPLUG THIS APPARATUS DURING LIGHTNING STORMS OR WHEN UNUSED FOR LONG PERIODS OF TIME

THE MAINS PLUG OR APPLIANCE COUPLER IS USED AS THE DISCONNECT DEVICE, SO THE DISCONNECT DEVICE SHALL BE READILY OPERABLE

USE THE APPARATUS ONLY IN MODERATE CLIMATES