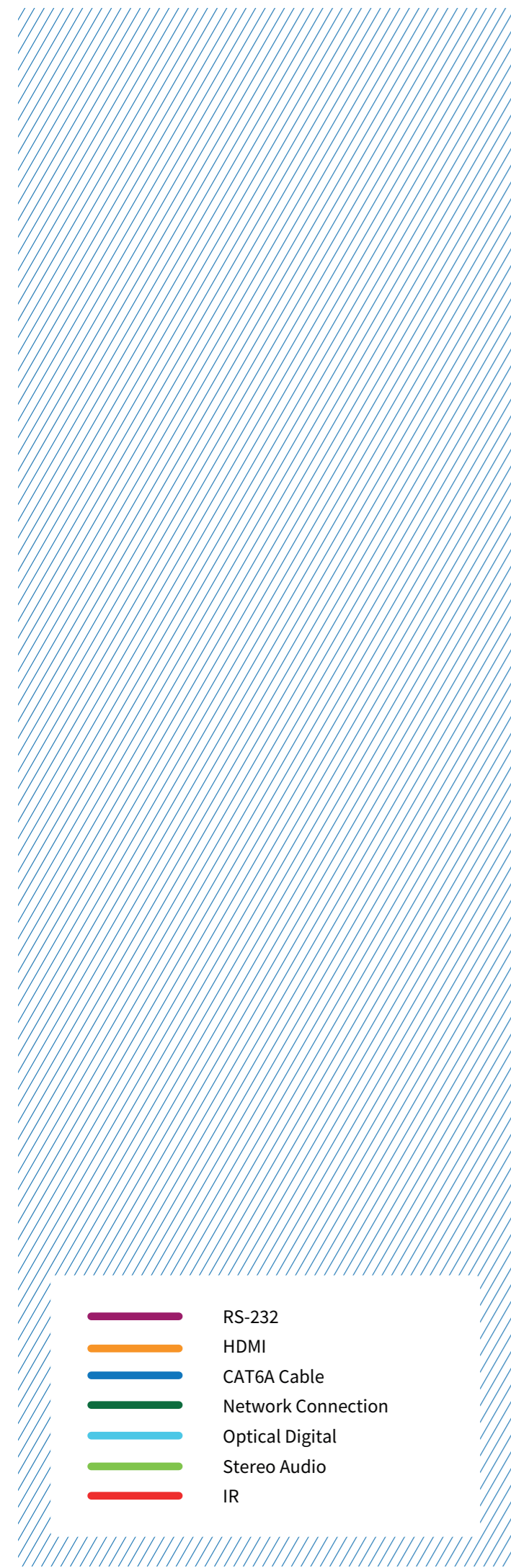
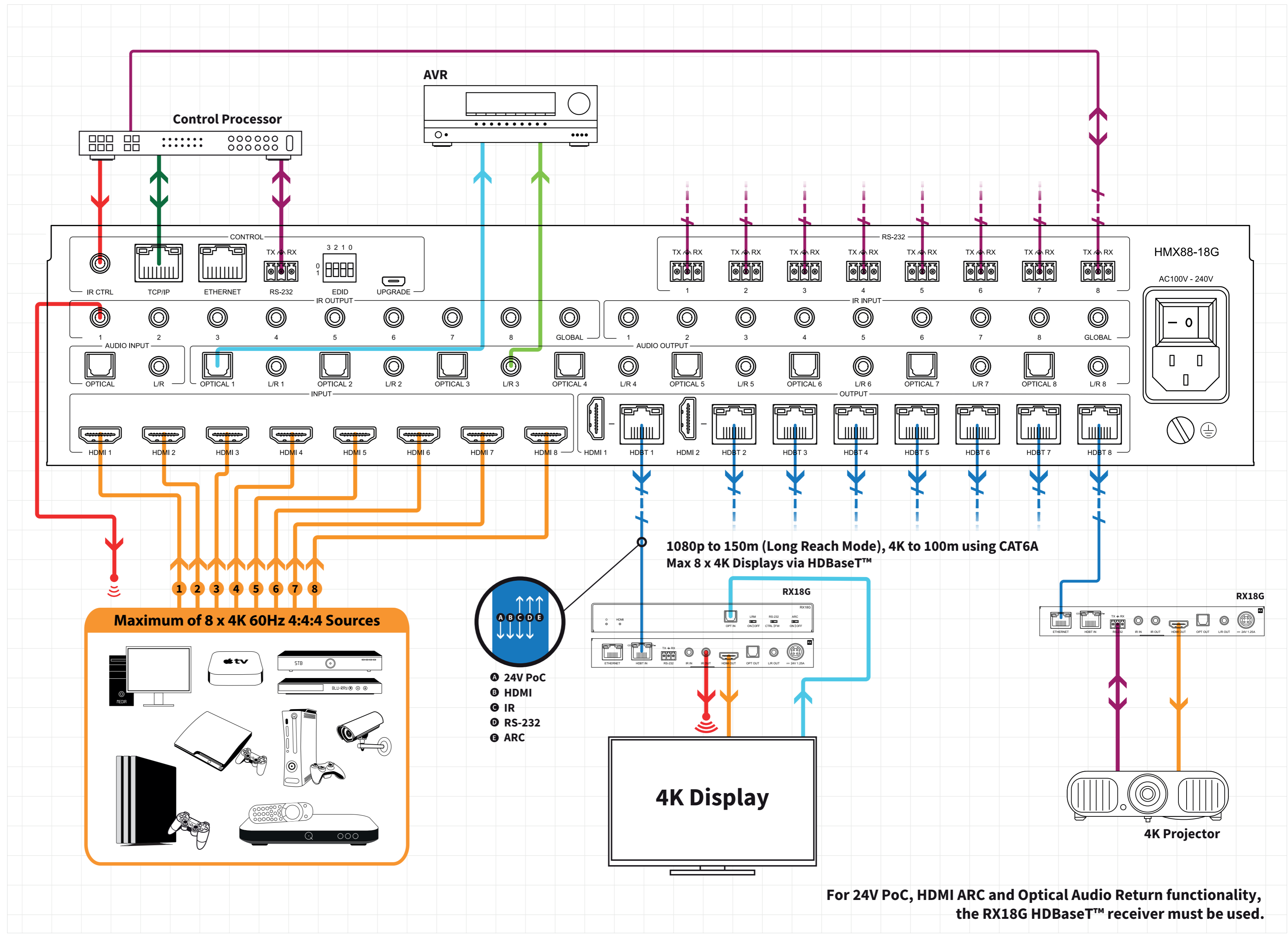


Example Schematic
HMX88-18G



- RS-232
- HDMI
- CAT6A Cable
- Network Connection
- Optical Digital
- Stereo Audio
- IR



For 24V PoC, HDMI ARC and Optical Audio Return functionality, the RX18G HDBaseT™ receiver must be used.