

## Head-End Digital Transmodulator 2 x DVB-S/S2 → 2 x QAM

### Features

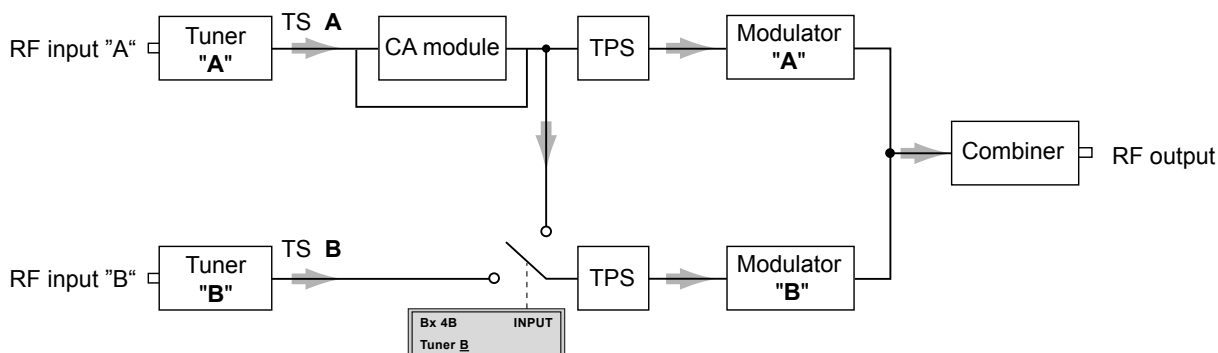
- 2 DVB-S/S2 Tuner
- 2 QAM full band modulators
  - Electronically adjustable output level
- CI slot for tuner A
  - several programmes can be descrambled
- Station filter:
  - Programmes can be removed  
(Programme data stream incl. modification of the tables)
- Transport Stream Processing:
  - Adjustable symbol rate (Stuffing)
  - Substitute signal in the case of an incorrect input signal  
(Single Carrier, Null Packets, Tables)
  - Transport stream and ORGNET-ID adjustable
  - Network Information Table (NIT)  
(for complete head-end station)
  - Network / Operator identification adjustable
  - Remove a PID (several via PSW 1000)
  - Rename a PID (several via PSW 1000)
- Remote Control (via PSW 1000\*)
  - \* and a corresponding management unit



### PSW 1000 Features

- Comfortable user interface
- Save/export the configuration

### Principle signal path



**HDTV**

**DVB**  
Digital Video  
Broadcasting

multi  
**MD**  
digital®

REMOTE  
**Rc**  
CONTROL

KLASSE  
**A**  
CLASS

**CE**



## Technical data:

The devices meet the EU directives 2011/65/EU, 2014/30/EU and 2014/35/EU.  
The product fulfils the guidelines and standards for CE labelling.

Unless otherwise noted all values are specified as "typical".

### RF input DVB-S/S2

Frequency range: ..... 925 ... 2150 MHz  
Level range: ..... 60 dB $\mu$ V ... 80 dB $\mu$ V  
DVB-S modes: ..... DVB-S 1/2 , 2/3 , 3/4 , 5/6 , 7/8  
DVB-S2 modes: ..... QPSK 1/2 , 3/5 , 2/3 , 3/4 , 4/5 , 5/6 , 8/9 , 9/10  
8PSK 3/5 , 2/3 , 3/4 , 5/6 , 8/9 , 9/10  
Symbol rate DVB-S: ..... QPSK: 2 ... 45 MSymb/s  
Symbol rate DVB-S2: ..... QPSK: 10 ... 30 MSymb/s  
8PSK: 10 ... 31 MSymb/s

### RF output

Frequency range: ..... 42.0 MHz ... 860.0 MHz  
Channels: ..... S21 ... C69  
Output level: ..... 97 dB $\mu$ V  
Output impedance: ..... 75  $\Omega$

### Connections

RF inputs: ..... 2 F sockets  
RF output: ..... 1 IEC socket (no function)  
Connection strip (10-pin): ..... for supply voltages and control circuits  
RS 232 socket: ..... serial interface for software update  
Conditional access: ..... two channels can be descrambled.

### Remote maintenance

Remotely controllable (via PSW 1000\*): ..... yes  
\*and a corresponding management unit