

myTeam Sharer

P/N: MTS-100SY

myTeam Sharer/miniDongle

P/N: MTS-101DG

*myTeam Sharer/Dongle

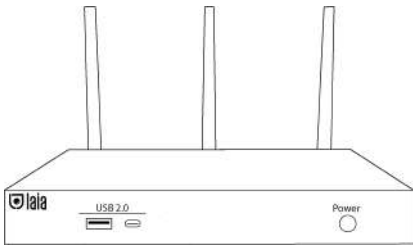
P/N: MTS-102DG (*Optional)

Quick Start Guide

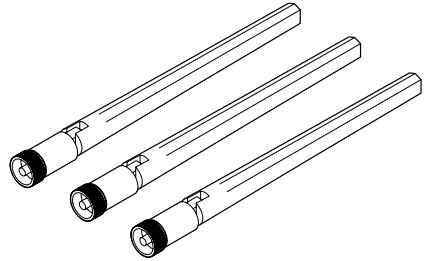


What's in the box?

1x myTeam Sharer



3x Antenna



1x USB A/C:myTeam Sharer/miniDongle
P/N: MTS-101DG



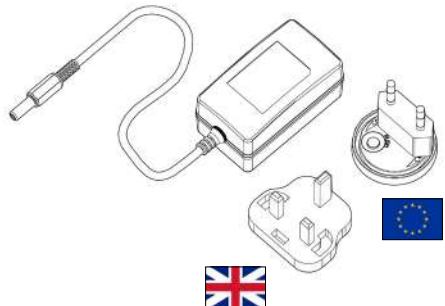
1x USB C:myTeam Sharer/Dongle
P/N: MTS-102DG (Optional)



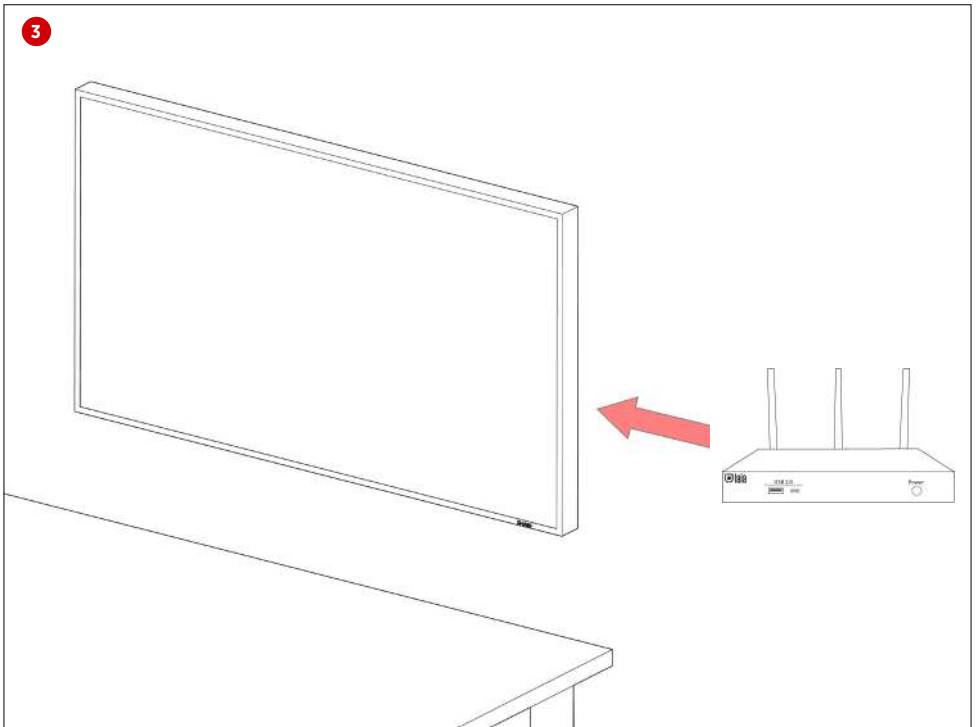
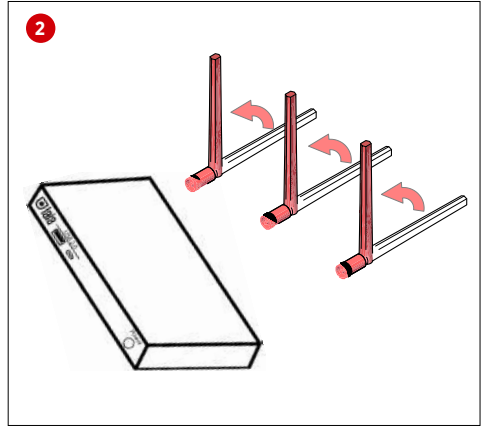
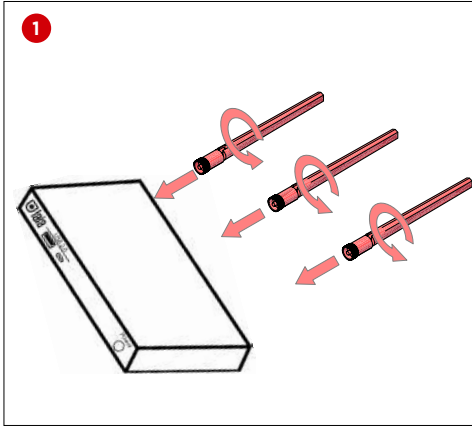
- 1x Quick guide
- 1x RS-232 connector
- 2x Wall mounting bracket
- 4x Fixing screws



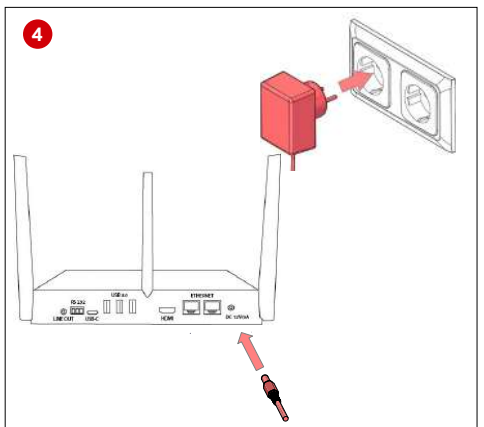
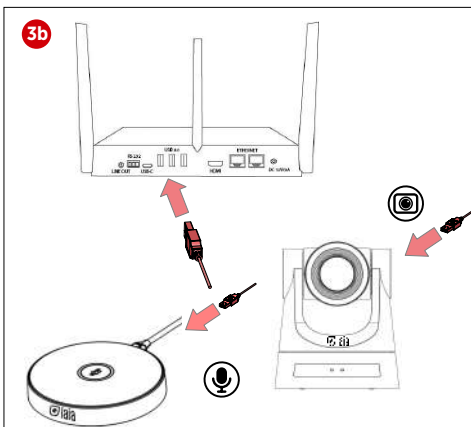
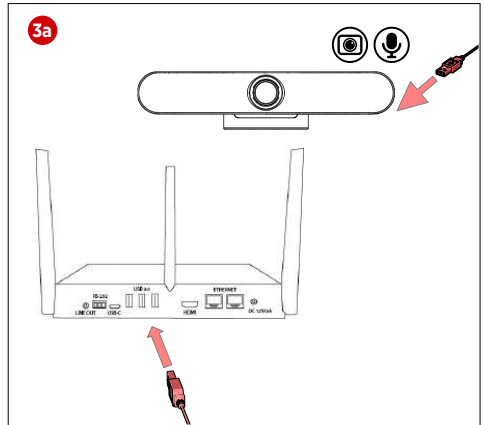
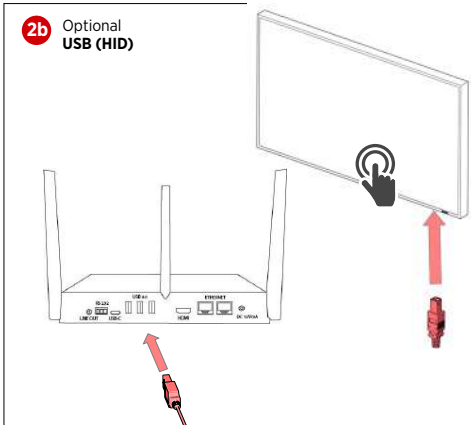
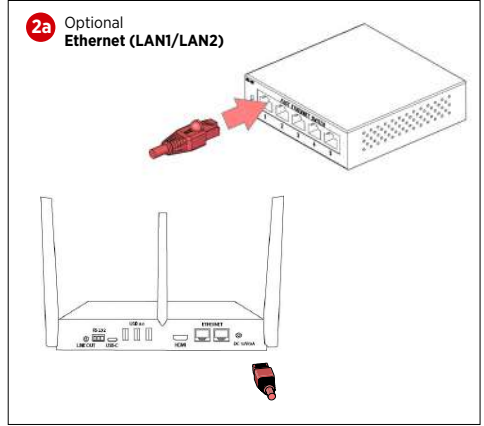
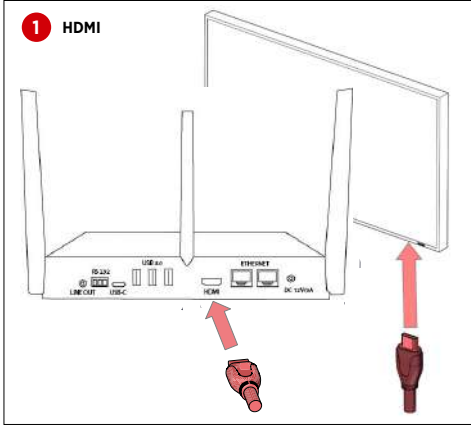
1x Power adapter



Set up and placement

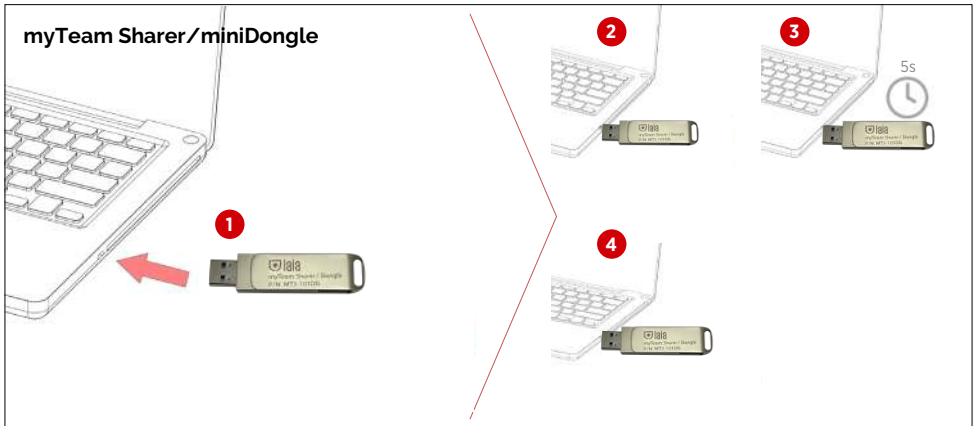


How to connect external devices



How to use myTeam Sharer/Dongle & miniDongle

*Go to page 8 to see how to use dongle for screensharing or videoconferencing



Use AirPlay, Miracast or Chromecast for screen sharing from mobile devices



How to use Sharer App

Download Sharer App connecting a USB memory on it for download

Seamless, Wireless, sharing without limits.
Comparta pantalla sin restricciones

myTeam Sharer

Write auto IP address shown on screen

Connect device

Launch the program depending on your O.S.

Select MTS-100SY

Device list

MTS-100SY-7514 **Connect**

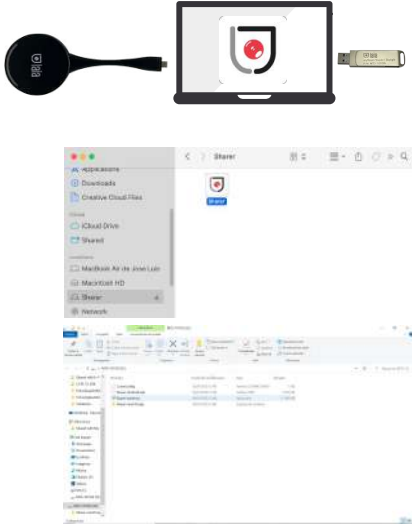
Disconnected

Present fullscreen

Present Splitscreen

¿How to set up external devices?

Transceiver: Connect dongle to your computer and launch the program

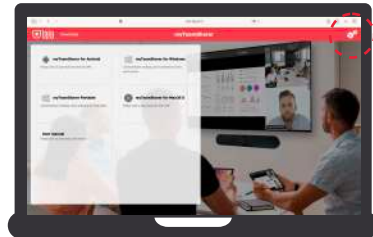


Download Sharer app from website

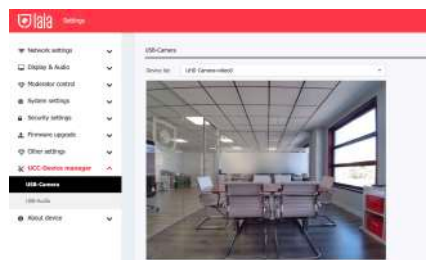


Go to IP address shown on screen and download the app depending on your O.S

Set up your preferences and devices, selecting settings



Select your preferred devices for videoconferencing

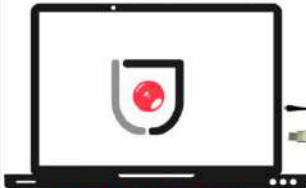


¿How to use myTeamSharer/ Dongle?

- **Screensharing**



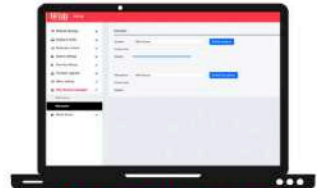
- **Videoconferencing**



Connect the transceiver and launch Sharer-app



Access configuration from IP generated and select settings



Configure and select devices you want to use

¿How to connect via software?

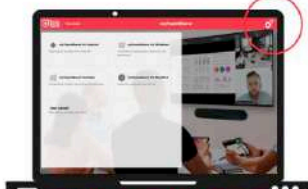
- **Screensharing and videoconference**



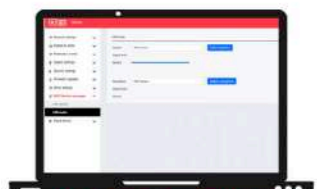
- **Make a videoconference**



Launch Sharer-app



Install audio and video drivers



Configure and select devices you want to use

¿How to connect via smartphone or tablet?

• Screensharing



Connect the device to wifi network



• Download the app



Available
Google Play Store



Use AirPlay on IOS devices



Compatible with other screensharings
methods like Miracast or
Chromecast