

FLAT SCREEN FLOOR STAND COMPONENTS

Custom build a floor stand to meet your installation needs.

First, choose a suitable floor base depending on the screen and installation location and add a Ø60mm pole or poles (available in 4 heights). Choose an applicable screen interface mount from B-Tech's wide range of collar friendly flat screen mounts and fit using Ø60mm accessory collars. Finally, add component shelves or other accessories if required., add component shelves if required.



Original Designs by B-Tech AV Mounts - Registered Designs & Patents apply



STEP 1

CHOOSE A FLOOR BASE

SINGLE POLE FLOOR BASES



BT4000



BT4001



BT8380-FSB

TWIN POLE FLOOR BASES



BT4002



Suitable for back-to-back screen mounting (2 screen mounts required)

BT4102

CASTORS



Add castors to BT4102 or BT4003 base for a mobile application



Can mount single or twin poles

BT4003



BT4004

BTW100-4

STEP 2

CHOOSE A POLE

SINGLE Ø60MM POLE

- BT4005 (0.5m)
- BT4011 (1.1m)
- BT4015 (1.5m)
- BT4020 (2.0m)



BASE: BT4000 Pole Length	
0.5m	<input checked="" type="checkbox"/>
1.1m	<input checked="" type="checkbox"/>
1.5m	<input type="checkbox"/>
2m	<input type="checkbox"/>

BASE: BT4001 Pole Length	
0.5m	<input checked="" type="checkbox"/>
1.1m	<input checked="" type="checkbox"/>
1.5m	<input checked="" type="checkbox"/>
2m	<input type="checkbox"/>

BASE: BT8380-FSB Pole Length	
0.5m	<input checked="" type="checkbox"/>
1.1m	<input checked="" type="checkbox"/>
1.5m	<input checked="" type="checkbox"/>
2m	<input type="checkbox"/>

Pole Suitability Key >

- SAFE FOR FREE STANDING
- MUST BE BOLTED TO THE FLOOR

TWIN Ø60MM POLES

- BT4005 (0.5m) x 2
- BT4011 (1.1m) x 2
- BT4015 (1.5m) x 2
- BT4020 (2.0m) x 2



BASE: BT4002 Pole Length	
0.5m	<input checked="" type="checkbox"/>
1.1m	<input checked="" type="checkbox"/>
1.5m	<input checked="" type="checkbox"/>
2m	<input checked="" type="checkbox"/>

BASE: BT4102 Pole Length	
0.5m	<input checked="" type="checkbox"/>
1.1m	<input checked="" type="checkbox"/>
1.5m	<input checked="" type="checkbox"/>
2m	<input checked="" type="checkbox"/>

BASE: BT4003 Pole Length	
0.5m	<input checked="" type="checkbox"/>
1.1m	<input checked="" type="checkbox"/>
1.5m	<input checked="" type="checkbox"/>

BASE: BT4004 Pole Length	
1.1m	<input checked="" type="checkbox"/>
1.5m	<input checked="" type="checkbox"/>

Pole Suitability Key >

- SAFE FOR FREE STANDING
- MUST BE BOLTED TO THE FLOOR

Create a Custom Floor Stand in 4 Simple Steps

B-Tech's flat screen floor stand and trolley components are available individually and can be used to create custom installations to suit any application.

STEP 3 ADD A COLLAR

STEP 4 CHOOSE SCREEN INTERFACE

EXAMPLES COMPLETE STAND

Ø60MM ACCESSORY COLLAR



BT7260

Ø60MM ACCESSORY COLLARS



BT7260



BT7060

COLLAR ADAPTOR



BT8390-CFK

SINGLE POLE FLAT SCREEN MOUNT

1 collar required



BT7510



BT7511



BT7523

2 collars required



BT7532



BT7518



BT8430

SINGLE POLE SHELVES & ACCESSORIES

1 collar required



Can also be mounted across 2 poles

BT7033



BT7863



BT7880

TWIN POLE SHELVES & ACCESSORIES

2 collars required



Can also be mounted across 1 pole

BT7032



BT7865



BT7864

TWIN POLE FLAT SCREEN MOUNT

2 or 4 collars required



BT8431



BT8432

Not suitable for use with the BT4004 base

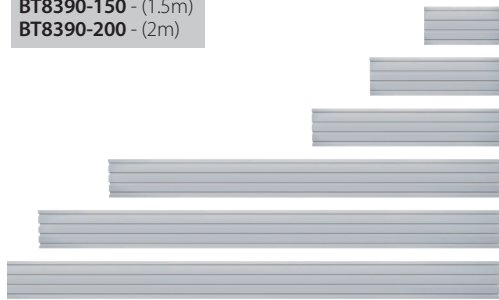
4 collars required



BT9903

MOUNTING RAILS

- BT8390-030 - (0.3m)
- BT8390-050 - (0.5m)
- BT8390-070 - (0.7m)
- BT8390-150 - (1.5m)
- BT8390-200 - (2m)



Length of mounting rail dependent on stand/base stability

SCREEN INTERFACE ARMS



BT8390-VESA200F BT8390-VESA200T



BT8390-VESA400F BT8390-VESA400T

SINGLE POLE STANDS



TWIN POLE STANDS



BT4000

SMALL FLOOR BASE FOR Ø60MM POLES



- Small floor base for use with Ø60mm poles
- Can be used free standing or bolted to the floor*
*Base must be bolted to the floor when using poles 1.5m and above
- Supplied with optional rubber feet for use when freestanding
- Features a grab handle for easy handling
Support column and screen interface kit supplied separately

SPECIFICATION	
Max load (freestanding)	15kg
Max load (when base is bolted to the floor)	35kg
Dimensions	575 x 395mm
No. of Ø60mm poles required	1



BT4001

MEDIUM FLOOR BASE FOR Ø60MM POLES



- Floor base for use with Ø60mm poles
- Can be used free standing or bolted to the floor*
*Base must be bolted to the floor when using 2m poles
- Supplied with optional rubber feet for use when freestanding
- Features grab handles for easy handling
Support column and screen interface kit supplied separately

SPECIFICATION	
Max load (freestanding)	24kg
Max load (when base is bolted to the floor)	35kg
Dimensions	725 x 495mm
No. of Ø60mm poles required	1



BT8380-FSB

FREESTANDING FLOOR BASE



- Stylish floor base for use with Ø60mm poles
- Heavy duty steel construction provides stability, eliminating the need to bolt to the floor
- Can be used free standing or bolted to the floor
- Supplied with adjustable levelling feet to accommodate uneven floor surfaces
- Also suitable for use with a System X BT8380 Column
Support column and screen interface kit supplied separately

SPECIFICATION	
Max load	70kg
Base dimensions	890 x 604mm
No. of Ø60mm poles required	1



BT4002

LARGE FLOOR BASE FOR Ø60MM POLES



- Large floor base for use with 2x Ø60mm poles
- Can be used freestanding or bolted to the floor
- Supplied with optional rubber feet for use when free standing
- Features grab handles for easy handling
Support columns and screen interface kit supplied separately

SPECIFICATION	
Max load	70kg
Dimensions	890 x 610mm
No. of Ø60mm poles required	2



Please note that the max weight is dependent on the other components used and may be lower than stated in the specification

BT4102

BACK-TO-BACK FLOOR BASE FOR Ø60MM POLES



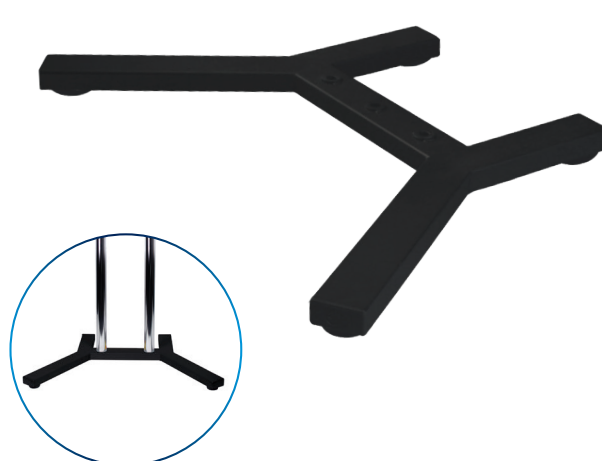
- Large floor base designed to mount screens in a back-to-back format using 2x Ø60mm poles
- Can be used freestanding or bolted to the floor
- Supplied with optional rubber feet for use when freestanding
Support columns and screen interface kit supplied separately

SPECIFICATION	
Max load	70kg (35kg per screen)
Dimensions	890 x 850mm
N° of Ø60mm poles required	2



BT4003

LARGE FLOOR BASE FOR Ø60MM POLES



- Stylish large floor base for use with Ø60mm poles
- Can be used with one or two 0.5m, 1.1m or 1.5m length poles
- Supplied with screw in levelling feet (castors available separately)
Support columns and screen interface kit supplied separately

SPECIFICATION	
Max load (One pole)	35kg
Max load (Two poles)	70kg
Dimensions	1130 x 774mm
N° of Ø60mm poles required	1 or 2



BT4004

XL FLOOR BASE FOR Ø60MM POLES



- Stylish large floor base for use with Ø60mm poles
- Suitable for flat screen displays 65" and over
- Can be used with two 0.5m, 1.1m or 1.5m length poles
- Supplied with screw in levelling feet (castors available separately)
Support columns and screen interface kit supplied separately

SPECIFICATION	
Max load (One pole)	130kg
Dimensions	1660 x 810mm
N° of Ø60mm poles required	2



BTW100-4

BRAKED CASTORS



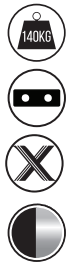
- Non-marking locking / braked castors for use with BT4003 and BT4004 bases
- Supplied as a pack of 4
- Castors also available individually **Ref: BTW100**

SPECIFICATION	
Diameter	100mm
No of castors (Per pack)	4



BT4005 / BT4011 / BT4015 / BT4020

Ø60MM POLES



- 1.6mm thick steel pole can support large loads
- Integrated cable management holes on back of poles

SPECIFICATION

Lengths available	0.5m, 1.1m, 1.5m, 2m,
Colour option	Black or Chrome

BT7260

Ø60MM ACCESSORY COLLAR



- Allows a wide range of mounts and accessories to be fitted to Ø60mm poles
- Dual fixing points allow back-to-back installations onto a single collar
- Supplied with cover plates for a neat and tidy install (single side installs only)

SPECIFICATION

Compatible pole diameter	Ø60mm
Collars supplied per pack	1
Colour option	Black or Chrome



BT7060

Ø60MM HEAVY DUTY ACCESSORY COLLAR



- Heavy duty accessory collar used to attach mounts and accessories to Ø60mm poles
- Dual fixing points allow back-to-back installations onto a single collar
- Supplied with cover plates for a neat and tidy install (single side installs only)

SPECIFICATION

Compatible pole diameter	Ø60mm
Collars supplied per pack	1
Colour option	Black or Chrome

