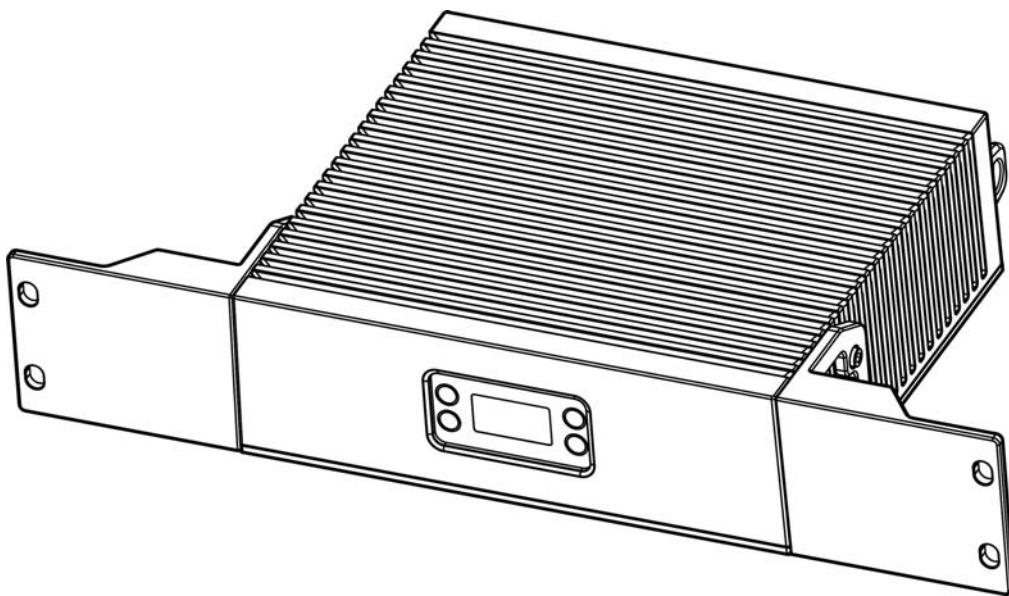


ÉPIX

DRIVE 2000 IP Quick Reference Guide

English	EN
Español	ES
Français	FR
Nederlands	NL



About This Guide

The ÉPIX Drive 2000 IP Quick Reference Guide (QRG) has basic product information such as connection, mounting, menu options, and control values. Download the User Manual from www.chauvetprofessional.com for more details.

Disclaimer

The information and specifications contained in this QRG are subject to change without notice.

Safety Notes

These Safety Notes include important information about installation, use, and maintenance.

- DO NOT open this product. It contains no user-serviceable parts.
- To eliminate unnecessary wear and improve its lifespan, during periods of non-use completely disconnect the product from power via breaker or by unplugging it.
- CAUTION: When transferring product from extreme temperature environments, (e.g. cold truck to warm humid ballroom) condensation may form on the internal electronics of the product. To avoid causing a failure, allow product to fully acclimate to the surrounding environment before connecting it to power.
- CAUTION: This product's housing may be hot when lights are operating.
- Mount this product in a location with adequate ventilation, at least 20 in (50 cm) from adjacent surfaces.
- DO NOT leave any flammable material within 50 cm of this product while operating or connected to power.
- USE a safety cable when mounting this product overhead.
- DO NOT submerge this product (IP65). Temporary outdoor operation is fine.
- When using this product in an outdoor environment, use IP65 (or higher) rated power and data cables. Be sure to secure unused power and data ports with attached IP65 covers.
- DO NOT operate this product if the housing, ports, or cables appear damaged.
- DO NOT connect this product to a dimmer or rheostat.
- ONLY connect this product to a grounded and protected circuit.
- In the event of a serious operating problem, stop using immediately.
- The maximum ambient temperature is 113 °F (45 °C). Do not operate this product at higher temperatures.

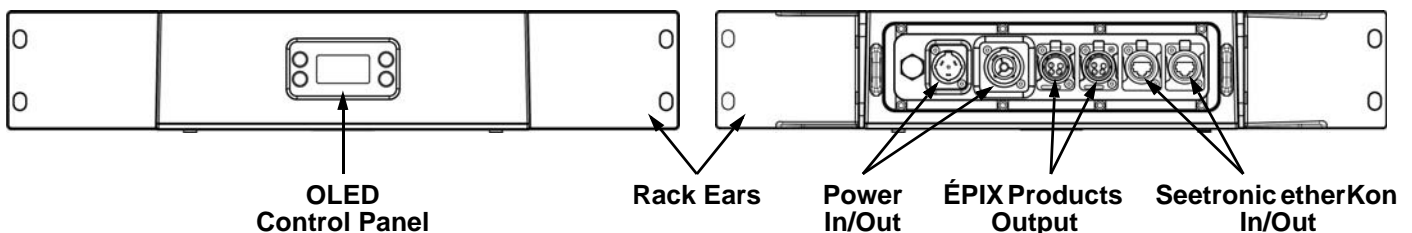
Contact

Outside the U.S., United Kingdom, Ireland, Mexico, or Benelux contact your distributor to request support or return a product. Visit www.chauvetprofessional.com for contact information.

What is Included

- ÉPIX Drive 2000 IP
- Seetronic Powerkon IP65 Power Cord
- Omega Bracket with Mounting Hardware
- 2 Rack Ears and Screws
- Warranty Card
- Quick Reference Guide

Product Overview



AC Power

This product has an auto-ranging power supply that can work with an input voltage range of 100–240 VAC, 50/60 Hz.

Power Linking

You can link up to 3 ÉPIX Drive 2000 IP products at 120 V, 4 products at 108 V, or 5 products at 230 V. Never exceed this number. Power linking cords can be purchased separately.

AC Plug

Connection	Wire (U.S.)	Wire (Europe)	Screw Color
AC Live	Black	Brown	Yellow/Brass
AC Neutral	White	Blue	Silver
AC Ground	Green/Yellow	Green/Yellow	Green



To eliminate wear and improve its lifespan, during periods of non-use completely disconnect the product from power via breaker or by unplugging it.

Signal Connections

The ÉPIX Drive 2000 IP can link to a controller or controller software using an ethernet connection. If using other Art-Net™, sACN, or Kling-Net-compatible products with the ÉPIX Drive 2000 IP, they can all be controlled individually on a single network. See the User Manual for information about how to connect and configure the product for these signals.

Control Personalities

The ÉPIX Drive 2000 IP uses Art-Net™ an sACN for its control personalities:

Personality	Channels	Description
Pixel	300 per ÉPIX Strip IP	Complete pixel control
7-Channel	7	Dimmer, auto programs, and strobe
5-Section	15 per ÉPIX Strip IP	Controls LED output in 5 groups of 20 LEDs
10-Section	30 per ÉPIX Strip IP	Controls LED output in 10 groups of 10 LEDs
25-Section	75 per ÉPIX Strip IP	Controls LED output in 25 groups of 4 LEDs
50-Section	150 per ÉPIX Strip IP	Controls LED output in 50 groups of 2 LEDs

Art-Net™ Connection

Art-Net™ is an Ethernet protocol that uses TCP/IP that transfers large amount of DMX512 data using an etherCON RJ45 connection over a large network. An Art-Net™ protocol document is available from www.chauvetprofessional.com.

Art-Net™ Designed by and Copyright Artistic Licence Holdings Ltd.



This product is not designed to respond to controllers sending in Broadcast mode via Art-Net™. For best results, use Unicast mode. For information about which control protocol your controller uses, please contact the manufacturer of your controller.

sACN Connection

Also known as ANSI E1.31, Streaming-ACN is an Ethernet protocol that uses the layering and formatting of Architecture for Control Networks to transport DMX512 data over IP or any other ACN compatible network. ACN is maintained by the Professional Lighting and Sound Association (PLASA).

Kling-Net Connection

Kling-Net is a network protocol that allows auto configuration of display devices using an etherCON RJ45 Ethernet connection. Refer to the ArKaos software manual for detailed instructions on programming this product.

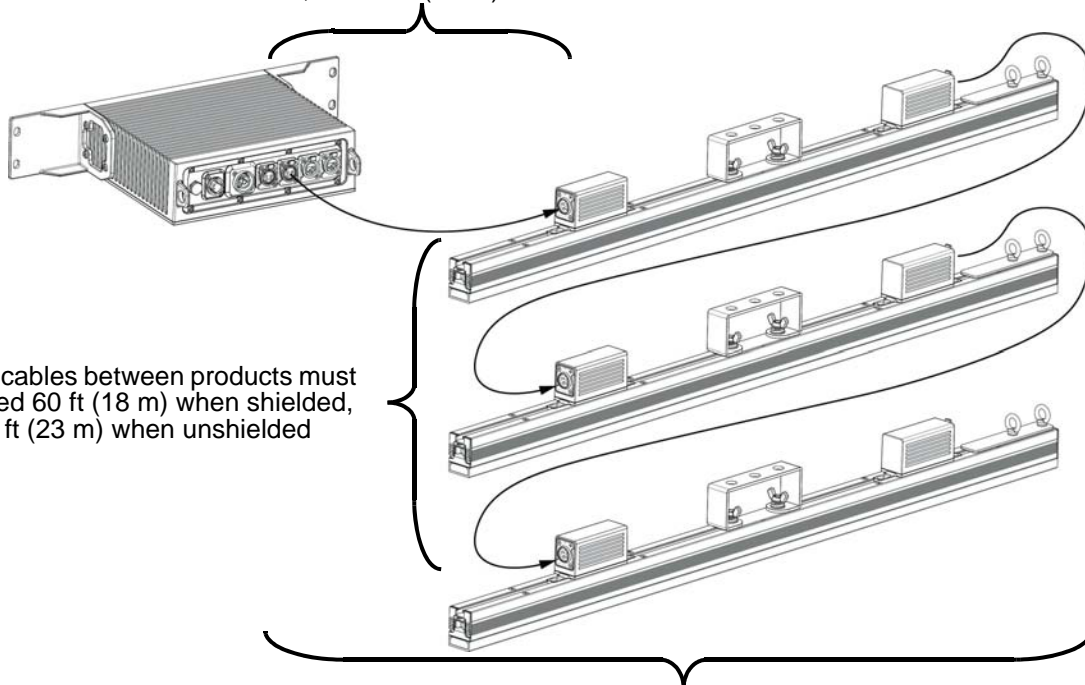


For smooth-running operation, ArKaos Kling-Net requires a gigabit (1000 Mbps) Ethernet card and network router.

Connecting ÉPIX Products

The ÉPIX Drive 2000 IP is the power supply for the ÉPIX IP and ÉPIX Tour series of products. Each product must be daisy-chained together in series. This power supply is capable of powering up to 2000 LEDs in the various configurations.

Length of cables between ÉPIX Drive 2000 IP and 1st product must not exceed 65 ft (20 m) when shielded, or 200 ft (60 m) when unshielded



Length of cables between products must not exceed 60 ft (18 m) when shielded, or 75 ft (23 m) when unshielded

Total length of cables cannot exceed 210 ft (64 m) when shielded, or 300 ft (91 m) when unshielded



- 1 = Power + (12 AWG or larger)
- 2 = Data + (18–24 AWG)
- 3 = Data - (18–24 AWG)
- 4 = Power - (12 AWG or larger)

The ÉPIX Drive 2000 IP can support various ÉPIX products daisy chained in the various configurations, up to a total of 2000 LEDs (up to 1000 LEDs per port).

Example configurations for each port include:

- 10 ÉPIX Strip IP products
- 18 ÉPIX Strip Tour products
- 6 ÉPIX Bar Tour products
- 5 ÉPIX Strip IP products and 9 ÉPIX Strip Tour products
- 5 ÉPIX Strip IP products and 3 ÉPIX Bar Tour products
- 5 ÉPIX Strip IP products, 3 ÉPIX Strip Tour products, and 2 ÉPIX Bar Tour products



Make sure the total length of the connecting shielded 4-pin XLR cables does not exceed 210 ft (64 m). Using unshielded cables will increase the maximum cable lengths to 300 ft (91 m) shown in the diagram above. Download the User Manual from www.chauvetprofessional.com for more details.

NOTE: Do not combine the ÉPIX Strip IP with the ÉPIX Strip Tour or ÉPIX Bar Tour on the same output of the ÉPIX Drive 2000 IP if any personality other than Pixel is selected.



Standard 4-pin XLR “Scroller Cables” are typically shielded.

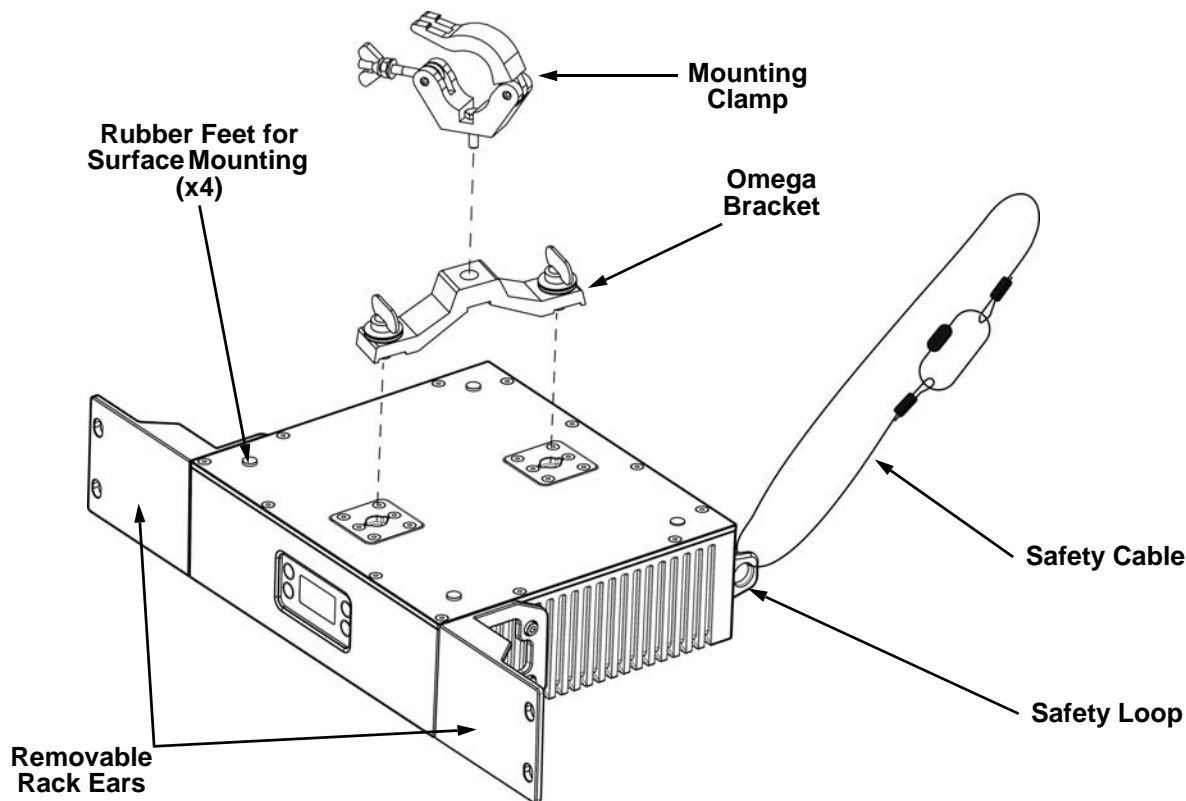


Use ONLY IP65 4-pin XLR cables with the ÉPIX Drive 2000 IP. For our CHAUVET Professional line of IP65 4-pin XLR cables, go to <https://www.chauvetprofessional.com/accessories>.

Mounting

Before mounting this product, read the [Safety Notes](#). Use at least one mounting point per product. Make sure the mounting clamps are capable of supporting the weight of the product. For our CHAUVET Professional line of mounting clamps, go to <http://trusst.com/products>. The rack mount ears are not shipped connected to the product.

Mounting Diagram



Mounting Guidelines

Chauvet recommends using the following guidelines when mounting this product:

- Before deciding on a location, always make sure there is easy access to the product for maintenance and programming.
- Make sure that the structure or surface onto which you are mounting the product can support the product's weight (see the User Manual).
- When mounting the product overhead, always use a safety cable. Mount the product securely to a rigging point, such as an elevated platform or a truss.
- When rigging the product onto a truss, use a mounting clamp of appropriate weight capacity.
- When mounting the product on the floor, make sure that the product and cables are away from people and vehicles.

Control Panel Description

Button	Function
<MENU>	Exits from the current menu or function or navigates downwards through the Main Level list
<ENTER>	Enables the currently displayed menu or sets the currently selected value into the selected function
<UP>	Navigates upwards through the menu list or increases the numeric value when in a function
<DOWN>	Navigates downwards through the menu list or decreases the numeric value when in a function

Menu Map

Main Level	Programming Levels		Description	
Auto Address	No		Automatically finds and addresses the products	
	Yes			
View Linked Fixtures	Port A	1. ___ - 18. ___	Displays the connected products	
	Port B			
LED Output	Off		Turns off all LED output	
	Red		Red LEDs at full	
	Green		Green LEDs at full	
	Blue		Blue LEDs at full	
	White		All LEDs at full	
	Fade		Color fade program	
	Scroll		Color scroll program	
Protocol	Port A	Art-Net		Selects the protocol for each port and determines what other menu options are available
		Kling-Net		
		sACN		
	Port B	Art-Net		
		Kling-Net		
		sACN		
Display Inverse	No		Rotates display 180°	
	Yes			
Factory Reset	No		Resets the product to factory defaults	
	Yes			
Port A (Art-Net™ and sACN only)	Personality	Pixel		Sets control personality for Port A (see Control Personalities)
		7-Channel		
		5-Section		
		10-Section		
		25-Section		
	50-Section			
	Universe	000–246 (Art-Net™) 001–247 (sACN)		
IP Address	IP Address #1–6	1–126 . 0–255 . 0–255 . 0–255	Sets the IP addresses for Port A Note: all addresses must be unique	
DMX Address	001–___		Sets the starting address for Port A (highest channel determined by Personality)	
Port B (Art-Net™ and sACN only)	Personality	Pixel		Sets control personality for Port B (see Control Personalities)
		7-Channel		
		5-Section		
		10-Section		
		25-Section		
	50-Section			
	Universe	000–246 (Art-Net™) 001–247 (sACN)		
IP Address	IP Address #1–6	1–126 . 0–255 . 0–255 . 0–255	Sets the IP addresses for Port B Note: all addresses must be unique	
DMX Address	001–___		Sets the starting address for Port B (highest channel determined by Personality)	
Screen Lock	No		Locks Screen	
	Yes		Passcode: UP, DOWN, UP, DOWN, ENTER	

Control Values

Pixel Mode (300 Channels per ÉPIX Strip IP)

Channel	Function	Value	Percent/Setting
1	Red 1	000 ⇔ 255	0–100%
2	Green 1	000 ⇔ 255	0–100%
3	Blue 1	000 ⇔ 255	0–100%
4	Red 2	000 ⇔ 255	0–100%
5	Green 2	000 ⇔ 255	0–100%
6	Blue 2	000 ⇔ 255	0–100%
7	Red 3	000 ⇔ 255	0–100%
8	Green 3	000 ⇔ 255	0–100%
9	Blue 3	000 ⇔ 255	0–100%
10	Red 4	000 ⇔ 255	0–100%
11	Green 4	000 ⇔ 255	0–100%
12	Blue 4	000 ⇔ 255	0–100%
13	Red 5	000 ⇔ 255	0–100%
14	Green 5	000 ⇔ 255	0–100%
15	Blue 5	000 ⇔ 255	0–100%
16	Red 6	000 ⇔ 255	0–100%
17	Green 6	000 ⇔ 255	0–100%
18	Blue 6	000 ⇔ 255	0–100%
19	Red 7	000 ⇔ 255	0–100%
20	Green 7	000 ⇔ 255	0–100%
21	Blue 7	000 ⇔ 255	0–100%
22	Red 8	000 ⇔ 255	0–100%
23	Green 8	000 ⇔ 255	0–100%
24	Blue 8	000 ⇔ 255	0–100%
25	Red 9	000 ⇔ 255	0–100%
26	Green 9	000 ⇔ 255	0–100%
27	Blue 9	000 ⇔ 255	0–100%
28	Red 10	000 ⇔ 255	0–100%
29	Green 10	000 ⇔ 255	0–100%
30	Blue 10	000 ⇔ 255	0–100%
31	Red 11	000 ⇔ 255	0–100%
32	Green 11	000 ⇔ 255	0–100%
33	Blue 11	000 ⇔ 255	0–100%
34	Red 12	000 ⇔ 255	0–100%
35	Green 12	000 ⇔ 255	0–100%
36	Blue 12	000 ⇔ 255	0–100%
37	Red 13	000 ⇔ 255	0–100%
38	Green 13	000 ⇔ 255	0–100%
39	Blue 13	000 ⇔ 255	0–100%
40	Red 14	000 ⇔ 255	0–100%
41	Green 14	000 ⇔ 255	0–100%
42	Blue 14	000 ⇔ 255	0–100%
43	Red 15	000 ⇔ 255	0–100%
44	Green 15	000 ⇔ 255	0–100%
45	Blue 15	000 ⇔ 255	0–100%
46	Red 16	000 ⇔ 255	0–100%
47	Green 16	000 ⇔ 255	0–100%
48	Blue 16	000 ⇔ 255	0–100%
49	Red 17	000 ⇔ 255	0–100%
50	Green 17	000 ⇔ 255	0–100%
51	Blue 17	000 ⇔ 255	0–100%
52	Red 18	000 ⇔ 255	0–100%
53	Green 18	000 ⇔ 255	0–100%
54	Blue 18	000 ⇔ 255	0–100%

QUICK REFERENCE GUIDE



EN

Channel	Function	Value	Percent/Setting
55	Red 19	000 ⇄ 255	0–100%
56	Green 19	000 ⇄ 255	0–100%
57	Blue 19	000 ⇄ 255	0–100%
58	Red 20	000 ⇄ 255	0–100%
59	Green 20	000 ⇄ 255	0–100%
60	Blue 20	000 ⇄ 255	0–100%
61	Red 21	000 ⇄ 255	0–100%
62	Green 21	000 ⇄ 255	0–100%
63	Blue 21	000 ⇄ 255	0–100%
64	Red 22	000 ⇄ 255	0–100%
65	Green 22	000 ⇄ 255	0–100%
66	Blue 22	000 ⇄ 255	0–100%
67	Red 23	000 ⇄ 255	0–100%
68	Green 23	000 ⇄ 255	0–100%
69	Blue 23	000 ⇄ 255	0–100%
70	Red 24	000 ⇄ 255	0–100%
71	Green 24	000 ⇄ 255	0–100%
72	Blue 24	000 ⇄ 255	0–100%
73	Red 25	000 ⇄ 255	0–100%
74	Green 25	000 ⇄ 255	0–100%
75	Blue 25	000 ⇄ 255	0–100%
76	Red 26	000 ⇄ 255	0–100%
77	Green 26	000 ⇄ 255	0–100%
78	Blue 26	000 ⇄ 255	0–100%
79	Red 27	000 ⇄ 255	0–100%
80	Green 27	000 ⇄ 255	0–100%
81	Blue 27	000 ⇄ 255	0–100%
82	Red 28	000 ⇄ 255	0–100%
83	Green 28	000 ⇄ 255	0–100%
84	Blue 28	000 ⇄ 255	0–100%
85	Red 29	000 ⇄ 255	0–100%
86	Green 29	000 ⇄ 255	0–100%
87	Blue 29	000 ⇄ 255	0–100%
88	Red 30	000 ⇄ 255	0–100%
89	Green 30	000 ⇄ 255	0–100%
90	Blue 30	000 ⇄ 255	0–100%
91	Red 31	000 ⇄ 255	0–100%
92	Green 31	000 ⇄ 255	0–100%
93	Blue 31	000 ⇄ 255	0–100%
94	Red 32	000 ⇄ 255	0–100%
95	Green 32	000 ⇄ 255	0–100%
96	Blue 32	000 ⇄ 255	0–100%
97	Red 33	000 ⇄ 255	0–100%
98	Green 33	000 ⇄ 255	0–100%
99	Blue 33	000 ⇄ 255	0–100%
100	Red 34	000 ⇄ 255	0–100%
101	Green 34	000 ⇄ 255	0–100%
102	Blue 34	000 ⇄ 255	0–100%
103	Red 35	000 ⇄ 255	0–100%
104	Green 35	000 ⇄ 255	0–100%
105	Blue 35	000 ⇄ 255	0–100%
106	Red 36	000 ⇄ 255	0–100%
107	Green 36	000 ⇄ 255	0–100%
108	Blue 36	000 ⇄ 255	0–100%
109	Red 37	000 ⇄ 255	0–100%
110	Green 37	000 ⇄ 255	0–100%
111	Blue 37	000 ⇄ 255	0–100%

Channel	Function	Value	Percent/Setting
112	Red 38	000 ⇄ 255	0–100%
113	Green 38	000 ⇄ 255	0–100%
114	Blue 38	000 ⇄ 255	0–100%
115	Red 39	000 ⇄ 255	0–100%
116	Green 39	000 ⇄ 255	0–100%
117	Blue 39	000 ⇄ 255	0–100%
118	Red 40	000 ⇄ 255	0–100%
119	Green 40	000 ⇄ 255	0–100%
120	Blue 40	000 ⇄ 255	0–100%
121	Red 41	000 ⇄ 255	0–100%
122	Green 41	000 ⇄ 255	0–100%
123	Blue 41	000 ⇄ 255	0–100%
124	Red 42	000 ⇄ 255	0–100%
125	Green 42	000 ⇄ 255	0–100%
126	Blue 42	000 ⇄ 255	0–100%
127	Red 43	000 ⇄ 255	0–100%
128	Green 43	000 ⇄ 255	0–100%
129	Blue 43	000 ⇄ 255	0–100%
130	Red 44	000 ⇄ 255	0–100%
131	Green 44	000 ⇄ 255	0–100%
132	Blue 44	000 ⇄ 255	0–100%
133	Red 45	000 ⇄ 255	0–100%
134	Green 45	000 ⇄ 255	0–100%
135	Blue 45	000 ⇄ 255	0–100%
136	Red 46	000 ⇄ 255	0–100%
137	Green 46	000 ⇄ 255	0–100%
138	Blue 46	000 ⇄ 255	0–100%
139	Red 47	000 ⇄ 255	0–100%
140	Green 47	000 ⇄ 255	0–100%
141	Blue 47	000 ⇄ 255	0–100%
142	Red 48	000 ⇄ 255	0–100%
143	Green 48	000 ⇄ 255	0–100%
144	Blue 48	000 ⇄ 255	0–100%
145	Red 49	000 ⇄ 255	0–100%
146	Green 49	000 ⇄ 255	0–100%
147	Blue 49	000 ⇄ 255	0–100%
148	Red 50	000 ⇄ 255	0–100%
149	Green 50	000 ⇄ 255	0–100%
150	Blue 50	000 ⇄ 255	0–100%
151	Red 51	000 ⇄ 255	0–100%
152	Green 51	000 ⇄ 255	0–100%
153	Blue 51	000 ⇄ 255	0–100%
154	Red 52	000 ⇄ 255	0–100%
155	Green 52	000 ⇄ 255	0–100%
156	Blue 52	000 ⇄ 255	0–100%
157	Red 53	000 ⇄ 255	0–100%
158	Green 53	000 ⇄ 255	0–100%
159	Blue 53	000 ⇄ 255	0–100%
160	Red 54	000 ⇄ 255	0–100%
161	Green 54	000 ⇄ 255	0–100%
162	Blue 54	000 ⇄ 255	0–100%
163	Red 55	000 ⇄ 255	0–100%
164	Green 55	000 ⇄ 255	0–100%
165	Blue 55	000 ⇄ 255	0–100%
166	Red 56	000 ⇄ 255	0–100%
167	Green 56	000 ⇄ 255	0–100%
168	Blue 56	000 ⇄ 255	0–100%

QUICK REFERENCE GUIDE



EN

Channel	Function	Value	Percent/Setting
169	Red 57	000 ⇄ 255	0–100%
170	Green 57	000 ⇄ 255	0–100%
171	Blue 57	000 ⇄ 255	0–100%
172	Red 58	000 ⇄ 255	0–100%
173	Green 58	000 ⇄ 255	0–100%
174	Blue 58	000 ⇄ 255	0–100%
175	Red 59	000 ⇄ 255	0–100%
176	Green 59	000 ⇄ 255	0–100%
177	Blue 59	000 ⇄ 255	0–100%
178	Red 60	000 ⇄ 255	0–100%
179	Green 60	000 ⇄ 255	0–100%
180	Blue 60	000 ⇄ 255	0–100%
181	Red 61	000 ⇄ 255	0–100%
182	Green 61	000 ⇄ 255	0–100%
183	Blue 61	000 ⇄ 255	0–100%
184	Red 62	000 ⇄ 255	0–100%
185	Green 62	000 ⇄ 255	0–100%
186	Blue 62	000 ⇄ 255	0–100%
187	Red 63	000 ⇄ 255	0–100%
188	Green 63	000 ⇄ 255	0–100%
189	Blue 63	000 ⇄ 255	0–100%
190	Red 64	000 ⇄ 255	0–100%
191	Green 64	000 ⇄ 255	0–100%
192	Blue 64	000 ⇄ 255	0–100%
193	Red 65	000 ⇄ 255	0–100%
194	Green 65	000 ⇄ 255	0–100%
195	Blue 65	000 ⇄ 255	0–100%
196	Red 66	000 ⇄ 255	0–100%
197	Green 66	000 ⇄ 255	0–100%
198	Blue 66	000 ⇄ 255	0–100%
199	Red 67	000 ⇄ 255	0–100%
200	Green 67	000 ⇄ 255	0–100%
201	Blue 67	000 ⇄ 255	0–100%
202	Red 68	000 ⇄ 255	0–100%
203	Green 68	000 ⇄ 255	0–100%
204	Blue 68	000 ⇄ 255	0–100%
205	Red 69	000 ⇄ 255	0–100%
206	Green 69	000 ⇄ 255	0–100%
207	Blue 69	000 ⇄ 255	0–100%
208	Red 70	000 ⇄ 255	0–100%
209	Green 70	000 ⇄ 255	0–100%
210	Blue 70	000 ⇄ 255	0–100%
211	Red 71	000 ⇄ 255	0–100%
212	Green 71	000 ⇄ 255	0–100%
213	Blue 71	000 ⇄ 255	0–100%
214	Red 72	000 ⇄ 255	0–100%
215	Green 72	000 ⇄ 255	0–100%
216	Blue 72	000 ⇄ 255	0–100%
217	Red 73	000 ⇄ 255	0–100%
218	Green 73	000 ⇄ 255	0–100%
219	Blue 73	000 ⇄ 255	0–100%
220	Red 74	000 ⇄ 255	0–100%
221	Green 74	000 ⇄ 255	0–100%
222	Blue 74	000 ⇄ 255	0–100%
223	Red 75	000 ⇄ 255	0–100%
224	Green 75	000 ⇄ 255	0–100%
225	Blue 75	000 ⇄ 255	0–100%

Channel	Function	Value	Percent/Setting
226	Red 76	000 ⇄ 255	0–100%
227	Green 76	000 ⇄ 255	0–100%
228	Blue 76	000 ⇄ 255	0–100%
229	Red 77	000 ⇄ 255	0–100%
230	Green 77	000 ⇄ 255	0–100%
231	Blue 77	000 ⇄ 255	0–100%
232	Red 78	000 ⇄ 255	0–100%
233	Green 78	000 ⇄ 255	0–100%
234	Blue 78	000 ⇄ 255	0–100%
235	Red 79	000 ⇄ 255	0–100%
236	Green 79	000 ⇄ 255	0–100%
237	Blue 79	000 ⇄ 255	0–100%
238	Red 80	000 ⇄ 255	0–100%
239	Green 80	000 ⇄ 255	0–100%
240	Blue 80	000 ⇄ 255	0–100%
241	Red 81	000 ⇄ 255	0–100%
242	Green 81	000 ⇄ 255	0–100%
243	Blue 81	000 ⇄ 255	0–100%
244	Red 82	000 ⇄ 255	0–100%
245	Green 82	000 ⇄ 255	0–100%
246	Blue 82	000 ⇄ 255	0–100%
247	Red 83	000 ⇄ 255	0–100%
248	Green 83	000 ⇄ 255	0–100%
249	Blue 83	000 ⇄ 255	0–100%
250	Red 84	000 ⇄ 255	0–100%
251	Green 84	000 ⇄ 255	0–100%
252	Blue 84	000 ⇄ 255	0–100%
253	Red 85	000 ⇄ 255	0–100%
254	Green 85	000 ⇄ 255	0–100%
255	Blue 85	000 ⇄ 255	0–100%
256	Red 86	000 ⇄ 255	0–100%
257	Green 86	000 ⇄ 255	0–100%
258	Blue 86	000 ⇄ 255	0–100%
259	Red 87	000 ⇄ 255	0–100%
260	Green 87	000 ⇄ 255	0–100%
261	Blue 87	000 ⇄ 255	0–100%
262	Red 88	000 ⇄ 255	0–100%
263	Green 88	000 ⇄ 255	0–100%
264	Blue 88	000 ⇄ 255	0–100%
265	Red 89	000 ⇄ 255	0–100%
266	Green 89	000 ⇄ 255	0–100%
267	Blue 89	000 ⇄ 255	0–100%
268	Red 90	000 ⇄ 255	0–100%
269	Green 90	000 ⇄ 255	0–100%
270	Blue 90	000 ⇄ 255	0–100%
271	Red 91	000 ⇄ 255	0–100%
272	Green 91	000 ⇄ 255	0–100%
273	Blue 91	000 ⇄ 255	0–100%
274	Red 92	000 ⇄ 255	0–100%
275	Green 92	000 ⇄ 255	0–100%
276	Blue 92	000 ⇄ 255	0–100%
277	Red 93	000 ⇄ 255	0–100%
278	Green 93	000 ⇄ 255	0–100%
279	Blue 93	000 ⇄ 255	0–100%
280	Red 94	000 ⇄ 255	0–100%
281	Green 94	000 ⇄ 255	0–100%
282	Blue 94	000 ⇄ 255	0–100%

QUICK REFERENCE GUIDE



EN

Channel	Function	Value	Percent/Setting
283	Red 95	000 ⇔ 255	0–100%
284	Green 95	000 ⇔ 255	0–100%
285	Blue 95	000 ⇔ 255	0–100%
286	Red 96	000 ⇔ 255	0–100%
287	Green 96	000 ⇔ 255	0–100%
288	Blue 96	000 ⇔ 255	0–100%
289	Red 97	000 ⇔ 255	0–100%
290	Green 97	000 ⇔ 255	0–100%
291	Blue 97	000 ⇔ 255	0–100%
292	Red 98	000 ⇔ 255	0–100%
293	Green 98	000 ⇔ 255	0–100%
294	Blue 98	000 ⇔ 255	0–100%
295	Red 99	000 ⇔ 255	0–100%
296	Green 99	000 ⇔ 255	0–100%
297	Blue 99	000 ⇔ 255	0–100%
298	Red 100	000 ⇔ 255	0–100%
299	Green 100	000 ⇔ 255	0–100%
300	Blue 100	000 ⇔ 255	0–100%

7-Channel Mode

Channel	Function	Value	Percent/Setting
1	Dimmer	000 ⇔ 255	0–100%
2	Red	000 ⇔ 255	0–100%
3	Green	000 ⇔ 255	0–100%
4	Blue	000 ⇔ 255	0–100%
5	Auto Program	000 ⇔ 010	No function
		011 ⇔ 027	Auto program 1
		028 ⇔ 043	Auto program 2
		044 ⇔ 059	Auto program 3
		060 ⇔ 076	Auto program 4
		077 ⇔ 092	Auto program 5
		093 ⇔ 108	Auto program 6
		109 ⇔ 124	Auto program 7
		125 ⇔ 141	Auto program 8
		142 ⇔ 157	Auto program 9
		158 ⇔ 173	Auto program 10
		174 ⇔ 189	Auto program 11
		190 ⇔ 206	Auto program 12
		207 ⇔ 222	Auto program 13
223 ⇔ 238	Auto program 14		
	239 ⇔ 255	All programs (Auto programs 1–14)	
6	Speed	000 ⇔ 255	0–100%
7	Strobe	000 ⇔ 010	No function
		011 ⇔ 255	Strobe, slow to fast

5-Section Mode (15 Channels per ÉPIX Strip IP)

Channel	Function	Value	Percent/Setting
1	Red 1–20	000 ⇔ 255	0–100%
2	Green 1–20	000 ⇔ 255	0–100%
3	Blue 1–20	000 ⇔ 255	0–100%
4	Red 21–40	000 ⇔ 255	0–100%
5	Green 21–40	000 ⇔ 255	0–100%
6	Blue 21–40	000 ⇔ 255	0–100%
7	Red 41–60	000 ⇔ 255	0–100%
8	Green 41–60	000 ⇔ 255	0–100%
9	Blue 41–60	000 ⇔ 255	0–100%
10	Red 61–80	000 ⇔ 255	0–100%
11	Green 61–80	000 ⇔ 255	0–100%
12	Blue 61–80	000 ⇔ 255	0–100%
13	Red 81–100	000 ⇔ 255	0–100%
14	Green 81–100	000 ⇔ 255	0–100%
15	Blue 81–100	000 ⇔ 255	0–100%

10-Section Mode (30 Channels per ÉPIX Strip IP)

Channel	Function	Value	Percent/Setting
1	Red 1–10	000 ⇔ 255	0–100%
2	Green 1–10	000 ⇔ 255	0–100%
3	Blue 1–10	000 ⇔ 255	0–100%
4	Red 11–20	000 ⇔ 255	0–100%
5	Green 11–20	000 ⇔ 255	0–100%
6	Blue 11–20	000 ⇔ 255	0–100%
7	Red 21–30	000 ⇔ 255	0–100%
8	Green 21–30	000 ⇔ 255	0–100%
9	Blue 21–30	000 ⇔ 255	0–100%
10	Red 31–40	000 ⇔ 255	0–100%
11	Green 31–40	000 ⇔ 255	0–100%
12	Blue 31–40	000 ⇔ 255	0–100%
13	Red 41–50	000 ⇔ 255	0–100%
14	Green 41–50	000 ⇔ 255	0–100%
15	Blue 41–50	000 ⇔ 255	0–100%
16	Red 51–60	000 ⇔ 255	0–100%
17	Green 51–60	000 ⇔ 255	0–100%
18	Blue 51–60	000 ⇔ 255	0–100%
19	Red 61–70	000 ⇔ 255	0–100%
20	Green 61–70	000 ⇔ 255	0–100%
21	Blue 61–70	000 ⇔ 255	0–100%
22	Red 71–80	000 ⇔ 255	0–100%
23	Green 71–80	000 ⇔ 255	0–100%
24	Blue 71–80	000 ⇔ 255	0–100%
25	Red 81–90	000 ⇔ 255	0–100%
26	Green 81–90	000 ⇔ 255	0–100%
27	Blue 81–90	000 ⇔ 255	0–100%
28	Red 91–100	000 ⇔ 255	0–100%
29	Green 91–100	000 ⇔ 255	0–100%
30	Blue 91–100	000 ⇔ 255	0–100%

25-Section Mode (75 Channels per ÉPIX Strip IP)

Channel	Function	Value	Percent/Setting
1	Red 1–4	000 ⇔ 255	0–100%
2	Green 1–4	000 ⇔ 255	0–100%
3	Blue 1–4	000 ⇔ 255	0–100%
4	Red 5–8	000 ⇔ 255	0–100%
5	Green 5–8	000 ⇔ 255	0–100%
6	Blue 5–8	000 ⇔ 255	0–100%
7	Red 9–12	000 ⇔ 255	0–100%
8	Green 9–12	000 ⇔ 255	0–100%
9	Blue 9–12	000 ⇔ 255	0–100%
10	Red 13–16	000 ⇔ 255	0–100%
11	Green 13–16	000 ⇔ 255	0–100%
12	Blue 13–16	000 ⇔ 255	0–100%
13	Red 17–20	000 ⇔ 255	0–100%
14	Green 17–20	000 ⇔ 255	0–100%
15	Blue 17–20	000 ⇔ 255	0–100%
16	Red 21–24	000 ⇔ 255	0–100%
17	Green 21–24	000 ⇔ 255	0–100%
18	Blue 21–24	000 ⇔ 255	0–100%
19	Red 25–28	000 ⇔ 255	0–100%
20	Green 25–28	000 ⇔ 255	0–100%
21	Blue 25–28	000 ⇔ 255	0–100%
22	Red 29–32	000 ⇔ 255	0–100%
23	Green 29–32	000 ⇔ 255	0–100%
24	Blue 29–32	000 ⇔ 255	0–100%
25	Red 33–36	000 ⇔ 255	0–100%
26	Green 33–36	000 ⇔ 255	0–100%
27	Blue 33–36	000 ⇔ 255	0–100%
28	Red 37–40	000 ⇔ 255	0–100%
29	Green 37–40	000 ⇔ 255	0–100%
30	Blue 37–40	000 ⇔ 255	0–100%
31	Red 41–44	000 ⇔ 255	0–100%
32	Green 41–44	000 ⇔ 255	0–100%
33	Blue 41–44	000 ⇔ 255	0–100%
34	Red 45–48	000 ⇔ 255	0–100%
35	Green 45–48	000 ⇔ 255	0–100%
36	Blue 45–48	000 ⇔ 255	0–100%
37	Red 49–52	000 ⇔ 255	0–100%
38	Green 49–52	000 ⇔ 255	0–100%
39	Blue 49–52	000 ⇔ 255	0–100%
40	Red 53–56	000 ⇔ 255	0–100%
41	Green 53–56	000 ⇔ 255	0–100%
42	Blue 53–56	000 ⇔ 255	0–100%
43	Red 57–60	000 ⇔ 255	0–100%
44	Green 57–60	000 ⇔ 255	0–100%
45	Blue 57–60	000 ⇔ 255	0–100%
46	Red 61–64	000 ⇔ 255	0–100%
47	Green 61–64	000 ⇔ 255	0–100%
48	Blue 61–64	000 ⇔ 255	0–100%
49	Red 65–68	000 ⇔ 255	0–100%
50	Green 65–68	000 ⇔ 255	0–100%
51	Blue 65–68	000 ⇔ 255	0–100%
52	Red 69–72	000 ⇔ 255	0–100%
53	Green 69–72	000 ⇔ 255	0–100%
54	Blue 69–72	000 ⇔ 255	0–100%
55	Red 73–76	000 ⇔ 255	0–100%
56	Green 73–76	000 ⇔ 255	0–100%
57	Blue 73–76	000 ⇔ 255	0–100%

Channel	Function	Value	Percent/Setting
58	Red 77–80	000 ⇔ 255	0–100%
59	Green 77–80	000 ⇔ 255	0–100%
60	Blue 77–80	000 ⇔ 255	0–100%
61	Red 81–84	000 ⇔ 255	0–100%
62	Green 81–84	000 ⇔ 255	0–100%
63	Blue 81–84	000 ⇔ 255	0–100%
64	Red 85–88	000 ⇔ 255	0–100%
65	Green 85–88	000 ⇔ 255	0–100%
66	Blue 85–88	000 ⇔ 255	0–100%
67	Red 89–92	000 ⇔ 255	0–100%
68	Green 89–92	000 ⇔ 255	0–100%
69	Blue 89–92	000 ⇔ 255	0–100%
70	Red 93–96	000 ⇔ 255	0–100%
71	Green 93–96	000 ⇔ 255	0–100%
72	Blue 93–96	000 ⇔ 255	0–100%
73	Red 97–100	000 ⇔ 255	0–100%
74	Green 97–100	000 ⇔ 255	0–100%
75	Blue 97–100	000 ⇔ 255	0–100%

50-Section Mode (150 Channels per ÉPIX Strip IP)

Channel	Function	Value	Percent/Setting
1	Red 1–2	000 ⇔ 255	0–100%
2	Green 1–2	000 ⇔ 255	0–100%
3	Blue 1–2	000 ⇔ 255	0–100%
4	Red 3–4	000 ⇔ 255	0–100%
5	Green 3–4	000 ⇔ 255	0–100%
6	Blue 3–4	000 ⇔ 255	0–100%
7	Red 5–6	000 ⇔ 255	0–100%
8	Green 5–6	000 ⇔ 255	0–100%
9	Blue 5–6	000 ⇔ 255	0–100%
10	Red 7–8	000 ⇔ 255	0–100%
11	Green 7–8	000 ⇔ 255	0–100%
12	Blue 7–8	000 ⇔ 255	0–100%
13	Red 9–10	000 ⇔ 255	0–100%
14	Green 9–10	000 ⇔ 255	0–100%
15	Blue 9–10	000 ⇔ 255	0–100%
16	Red 11–12	000 ⇔ 255	0–100%
17	Green 11–12	000 ⇔ 255	0–100%
18	Blue 11–12	000 ⇔ 255	0–100%
19	Red 13–14	000 ⇔ 255	0–100%
20	Green 13–14	000 ⇔ 255	0–100%
21	Blue 13–14	000 ⇔ 255	0–100%
22	Red 15–16	000 ⇔ 255	0–100%
23	Green 15–16	000 ⇔ 255	0–100%
24	Blue 15–16	000 ⇔ 255	0–100%
25	Red 17–18	000 ⇔ 255	0–100%
26	Green 17–18	000 ⇔ 255	0–100%
27	Blue 17–18	000 ⇔ 255	0–100%
28	Red 19–20	000 ⇔ 255	0–100%
29	Green 19–20	000 ⇔ 255	0–100%
30	Blue 19–20	000 ⇔ 255	0–100%
31	Red 21–22	000 ⇔ 255	0–100%
32	Green 21–22	000 ⇔ 255	0–100%
33	Blue 21–22	000 ⇔ 255	0–100%
34	Red 23–24	000 ⇔ 255	0–100%
35	Green 23–24	000 ⇔ 255	0–100%
36	Blue 23–24	000 ⇔ 255	0–100%

QUICK REFERENCE GUIDE



EN

Channel	Function	Value	Percent/Setting
37	Red 25–26	000 ⇄ 255	0–100%
38	Green 25–26	000 ⇄ 255	0–100%
39	Blue 25–26	000 ⇄ 255	0–100%
40	Red 27–28	000 ⇄ 255	0–100%
41	Green 27–28	000 ⇄ 255	0–100%
42	Blue 27–28	000 ⇄ 255	0–100%
43	Red 29–30	000 ⇄ 255	0–100%
44	Green 29–30	000 ⇄ 255	0–100%
45	Blue 29–30	000 ⇄ 255	0–100%
46	Red 31–32	000 ⇄ 255	0–100%
47	Green 31–32	000 ⇄ 255	0–100%
48	Blue 31–32	000 ⇄ 255	0–100%
49	Red 33–34	000 ⇄ 255	0–100%
50	Green 33–34	000 ⇄ 255	0–100%
51	Blue 33–34	000 ⇄ 255	0–100%
52	Red 35–36	000 ⇄ 255	0–100%
53	Green 35–36	000 ⇄ 255	0–100%
54	Blue 35–36	000 ⇄ 255	0–100%
55	Red 37–38	000 ⇄ 255	0–100%
56	Green 37–38	000 ⇄ 255	0–100%
57	Blue 37–38	000 ⇄ 255	0–100%
58	Red 39–40	000 ⇄ 255	0–100%
59	Green 39–40	000 ⇄ 255	0–100%
60	Blue 39–40	000 ⇄ 255	0–100%
61	Red 41–42	000 ⇄ 255	0–100%
62	Green 41–42	000 ⇄ 255	0–100%
63	Blue 41–42	000 ⇄ 255	0–100%
64	Red 43–44	000 ⇄ 255	0–100%
65	Green 43–44	000 ⇄ 255	0–100%
66	Blue 43–44	000 ⇄ 255	0–100%
67	Red 45–46	000 ⇄ 255	0–100%
68	Green 45–46	000 ⇄ 255	0–100%
69	Blue 45–46	000 ⇄ 255	0–100%
70	Red 47–48	000 ⇄ 255	0–100%
71	Green 47–48	000 ⇄ 255	0–100%
72	Blue 47–48	000 ⇄ 255	0–100%
73	Red 49–50	000 ⇄ 255	0–100%
74	Green 49–50	000 ⇄ 255	0–100%
75	Blue 49–50	000 ⇄ 255	0–100%
76	Red 51–52	000 ⇄ 255	0–100%
77	Green 51–52	000 ⇄ 255	0–100%
78	Blue 51–52	000 ⇄ 255	0–100%
79	Red 53–54	000 ⇄ 255	0–100%
80	Green 53–54	000 ⇄ 255	0–100%
81	Blue 53–54	000 ⇄ 255	0–100%
82	Red 55–56	000 ⇄ 255	0–100%
83	Green 55–56	000 ⇄ 255	0–100%
84	Blue 55–56	000 ⇄ 255	0–100%
85	Red 57–58	000 ⇄ 255	0–100%
86	Green 57–58	000 ⇄ 255	0–100%
87	Blue 57–58	000 ⇄ 255	0–100%
88	Red 59–60	000 ⇄ 255	0–100%
89	Green 59–60	000 ⇄ 255	0–100%
90	Blue 59–60	000 ⇄ 255	0–100%
91	Red 61–62	000 ⇄ 255	0–100%
92	Green 61–62	000 ⇄ 255	0–100%
93	Blue 61–62	000 ⇄ 255	0–100%

Channel	Function	Value	Percent/Setting
94	Red 63–64	000 ⇄ 255	0–100%
95	Green 63–64	000 ⇄ 255	0–100%
96	Blue 63–64	000 ⇄ 255	0–100%
97	Red 65–66	000 ⇄ 255	0–100%
98	Green 65–66	000 ⇄ 255	0–100%
99	Blue 65–66	000 ⇄ 255	0–100%
100	Red 67–68	000 ⇄ 255	0–100%
101	Green 67–68	000 ⇄ 255	0–100%
102	Blue 67–68	000 ⇄ 255	0–100%
103	Red 69–70	000 ⇄ 255	0–100%
104	Green 69–70	000 ⇄ 255	0–100%
105	Blue 69–70	000 ⇄ 255	0–100%
106	Red 71–72	000 ⇄ 255	0–100%
107	Green 71–72	000 ⇄ 255	0–100%
108	Blue 71–72	000 ⇄ 255	0–100%
109	Red 73–74	000 ⇄ 255	0–100%
110	Green 73–74	000 ⇄ 255	0–100%
111	Blue 73–74	000 ⇄ 255	0–100%
112	Red 75–76	000 ⇄ 255	0–100%
113	Green 75–76	000 ⇄ 255	0–100%
114	Blue 75–76	000 ⇄ 255	0–100%
115	Red 77–78	000 ⇄ 255	0–100%
116	Green 77–78	000 ⇄ 255	0–100%
117	Blue 77–78	000 ⇄ 255	0–100%
118	Red 79–80	000 ⇄ 255	0–100%
119	Green 79–80	000 ⇄ 255	0–100%
120	Blue 79–80	000 ⇄ 255	0–100%
121	Red 81–82	000 ⇄ 255	0–100%
122	Green 81–82	000 ⇄ 255	0–100%
123	Blue 81–82	000 ⇄ 255	0–100%
124	Red 83–84	000 ⇄ 255	0–100%
125	Green 83–84	000 ⇄ 255	0–100%
126	Blue 83–84	000 ⇄ 255	0–100%
127	Red 85–86	000 ⇄ 255	0–100%
128	Green 85–86	000 ⇄ 255	0–100%
129	Blue 85–86	000 ⇄ 255	0–100%
130	Red 87–88	000 ⇄ 255	0–100%
131	Green 87–88	000 ⇄ 255	0–100%
132	Blue 87–88	000 ⇄ 255	0–100%
133	Red 89–90	000 ⇄ 255	0–100%
134	Green 89–90	000 ⇄ 255	0–100%
135	Blue 89–90	000 ⇄ 255	0–100%
136	Red 91–92	000 ⇄ 255	0–100%
137	Green 91–92	000 ⇄ 255	0–100%
138	Blue 91–92	000 ⇄ 255	0–100%
139	Red 93–94	000 ⇄ 255	0–100%
140	Green 93–94	000 ⇄ 255	0–100%
141	Blue 93–94	000 ⇄ 255	0–100%
142	Red 95–96	000 ⇄ 255	0–100%
143	Green 95–96	000 ⇄ 255	0–100%
144	Blue 95–96	000 ⇄ 255	0–100%
145	Red 97–98	000 ⇄ 255	0–100%
146	Green 97–98	000 ⇄ 255	0–100%
147	Blue 97–98	000 ⇄ 255	0–100%
148	Red 99–100	000 ⇄ 255	0–100%
149	Green 99–100	000 ⇄ 255	0–100%
150	Blue 99–100	000 ⇄ 255	0–100%

Acerca de esta Guía

La Guía de Referencia Rápida (GRR) del ÉPIX Drive 2000 IP contiene información básica sobre el producto, como conexión, montaje, opciones de menú y valores de control. Descargue el Manual de Usuario de www.chauvetprofessional.com para información más detallada.

Exención de Responsabilidad

La información y especificaciones contenidas en esta GRR están sujetas a cambio sin previo aviso.

Notas de Seguridad

Estas notas de seguridad incluyen información importante sobre el montaje, uso y mantenimiento.

- NO abra este producto. No contiene ninguna pieza reparable por el usuario.
- Para evitar un desgaste innecesario y para alargar su vida útil, desconecte completamente el producto de la alimentación mediante el interruptor o desenchufándolo durante periodos en que no se use.
- CUIDADO: cuando traslade el producto entre ambientes de temperatura extrema (p. ej., desde un camión frío a una sala de fiestas húmeda y caliente) se puede formar condensación en la electrónica interna del producto. Para evitar que se produzca un fallo, deje que el producto se aclimate totalmente al entorno antes de conectar la alimentación.
- CUIDADO: la carcasa de este producto puede estar caliente cuando las luces están en funcionamiento.
- Monte este producto en una ubicación con ventilación adecuada, al menos a 20 in (50 cm) de superficies adyacentes.
- NO deje ningún material inflamable a menos de 50 cm de este producto mientras esté funcionando o conectado a la alimentación.
- USE un cable de seguridad cuando monte este producto en lo alto.
- NO sumerja este producto (IP65). Es apto para un funcionamiento temporal en exteriores.
- Cuando utilice este producto en exteriores, use cables de datos y alimentación con protección IP65 (o superior). Asegúrese de proteger los puertos de datos y alimentación que no se usen colocando tapas IP65.
- NO ponga en funcionamiento este producto si la carcasa, puertos o cables parecen dañados.
- NO conecte este producto a un atenuador o reostato.
- Conecte este producto SOLO a un circuito con toma de tierra y protegido.
- En caso de un problema grave de funcionamiento, deje de usarlo inmediatamente.
- La temperatura ambiente máxima es de 113 °F (45 °C). No haga funcionar este producto a temperaturas más altas.

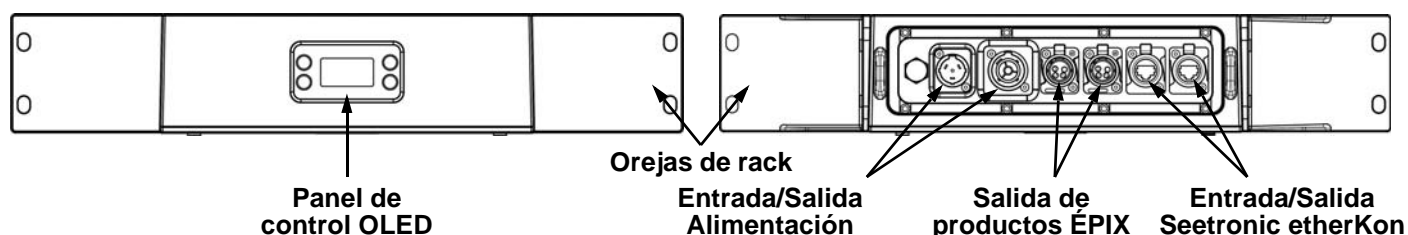
Contacto

Fuera de EE.UU, Reino Unido, Irlanda, México o Benelux, póngase en contacto con su distribuidor para solicitar asistencia o devolver el producto. Visite www.chauvetprofessional.com para información de contacto.

Qué va Incluido

- ÉPIX Drive 2000 IP
- Cable de alimentación Seetronic Powerkon IP65
- Soporte Omega con material de montaje
- 2 orejas de rack y tornillos
- Tarjeta de Garantía
- Guía de Referencia Rápida

Visión general del producto



Corriente Alterna

Este producto tiene una fuente de alimentación con detección automática que puede funcionar con un rango de tensión de entrada de 100–240 VCA, 50/60 Hz.

Alimentación en Cadena

Puede enlazar hasta 3 ÉPIX Drive 2000 IP a 120 V, 4 productos a 208 V o 5 productos a 230 V. Los cables de alimentación en cadena se pueden adquirir por separado.

Enchufe CA

Conexión	Cable (EE.UU)	Cable (Europa)	Color del Tornillo
CA Cargado	Negro	Marrón	Amarillo/Bronce
CA Neutro	Blanco	Azul	Plata
CA Tierra	Verde/Amarillo	Verde/Amarillo	Verde



Para evitar un desgaste innecesario y alargar su vida útil, desconecte complemente el producto de la alimentación, mediante el interruptor o desenchufándolo, durante los periodos en los que no se use.

Conexiones de señal

El ÉPIX Drive 2000 IP puede vincularse a un controlador o al software de un controlador mediante una conexión Ethernet. Si está usando el ÉPIX Drive 2000 IP con otros productos compatibles con Art-Net™, sACN o Kling-Netcon este puede controlar cada uno individualmente en una sola red. Consulte el Manual de usuario para obtener información sobre cómo conectar y configurar el producto para estas señales.

Personalidades de control

El ÉPIX Drive 2000 IP utiliza Art-Net™ y sACN para sus personalidades de control:

Personalidad	Canales	Descripción
Pixel	300 por ÉPIX Strip IP	Control de píxel completo
7-Channel	7	Atenuador, programas automáticos y estroboscopio
5-Section	15 por ÉPIX Strip IP	Controla la salida LED en 5 grupos de 20 LED
10-Section	30 por ÉPIX Strip IP	Controla la salida LED en 10 grupos de 10 LED
25-Section	75 por ÉPIX Strip IP	Controla la salida LED en 25 grupos de 4 LED
50-Section	150 por ÉPIX Strip IP	Controla la salida LED en 50 grupos de 2 LED

Conexión Art-Net™

Art-Net™ es un protocolo Ethernet que utiliza TCP/IP para transferir gran cantidad de datos DMX512 usando una conexión etherCON RJ45 sobre una red de gran tamaño. Hay disponible un documento sobre el protocolo Art-Net™ desde www.chauvetprofessional.com. Chauvet Professional recomienda la utilización de modo Unicast para mejores resultados.

Art-Net™ diseñado y copyright por Artistic Licence Holdings Ltd.



Este producto no está diseñado para responder a controladores que emiten en modo broadcast a través de Art-Net™. Para mejores resultados, utilice modo unicast. Para obtener información sobre qué protocolo de control utiliza su controlador, póngase en contacto con el fabricante de su controlador.

Conexión sACN

También conocido como ANSI E1.31, el streaming ACN es un protocolo Ethernet que usa las capas y formato de Architecture for Control Networks (arquitectura para redes de control) para transportar datos DMX512 sobre IP o cualquier otra red compatible con ACN. El mantenimiento de ACN corre a cargo de la Professional Lighting and Sound Association (Asociación de Sonido e Iluminación Profesional, PLASA).

Conexión Kling-Net

Kling-Net es un protocolo de red que permite la autoconfiguración de los dispositivos de imagen usando una conexión Ethernet etherCON RJ45. Consulte el manual del software ArKaos para instrucciones detalladas sobre la programación de este producto.



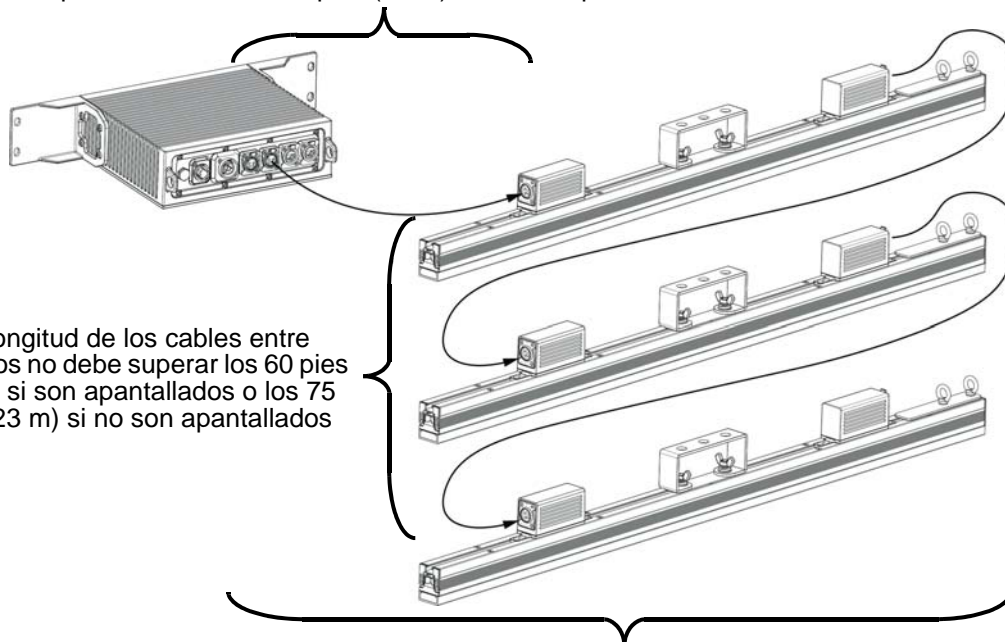
Para un funcionamiento fluido, ArKaos Kling-Net precisa una tarjeta Ethernet a gigabit (1000 Mbps) y un router de red.

Conexión de productos ÉPIX

El ÉPIX Drive 2000 IP es la fuente de alimentación para la serie de productos ÉPIX IP y ÉPIX Tour. Cada producto se debe alimentar en cadena en serie. Esta fuente de alimentación es capaz de alimentar hasta 2000 LED en las distintas configuraciones.

La longitud de los cables entre el ÉPIX Drive 2000 IP y el 1er producto no debe superar los 65 pies (20 m) si son apantallados o los 200 pies (60 m) si no son apantallados

La longitud de los cables entre productos no debe superar los 60 pies (18 m) si son apantallados o los 75 pies (23 m) si no son apantallados



La longitud total de los cables no puede superar los 210 pies (64 m) si son apantallados o los 300 pies (91 m) si no son apantallados



- 1 = Poder + (12 AWG o más grande)
- 2 = Datos + (18-24 AWG)
- 3 = Datos - (18-24 AWG)
- 4 = Poder - (12 AWG o más grande)

El ÉPIX Drive 2000 IP admite varios productos ÉPIX conectados en cadena en las distintas configuraciones, hasta 2000 LED en total (hasta 1000 LED por puerto).

Configuraciones de ejemplo para cada puerto:

- 10 productos ÉPIX Strip IP
- 18 productos ÉPIX Strip Tour
- 6 productos ÉPIX Bar Tour
- 5 productos ÉPIX Strip IP y 9 productos ÉPIX Strip Tour
- 5 productos ÉPIX Strip IP y 3 productos ÉPIX Bar Tour
- 5 productos ÉPIX Strip IP, 3 productos ÉPIX Strip Tour y 2 productos ÉPIX Bar Tour



Asegúrese de que la longitud total de los cables de conexión XLR apantallados no supera los 210 pies (64 m). El uso de cables apantallados aumentará las longitudes máximas de cable a 300 pies (91 m) como se indica en el diagrama de arriba. Descargue el manual de usuario de www.chauvetprofessional.com para una información más detallada.

NOTA: No combine el ÉPIX Strip IP con el ÉPIX Strip Tour o el ÉPIX Bar Tour en la misma salida del ÉPIX Drive 2000 IP si está seleccionada cualquier personalidad que no sea Pixel.



Los cables en rollo XLR de 4 pines estándar son normalmente apantallados.

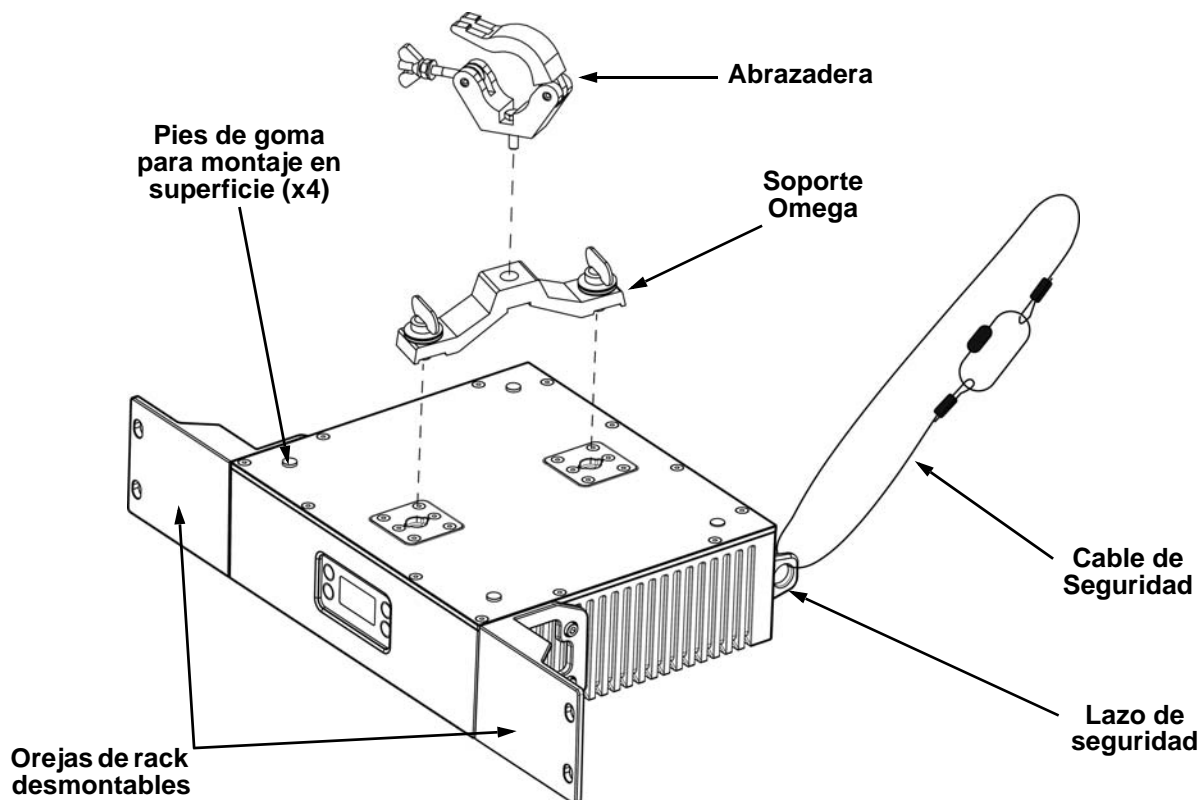


Utilice SOLAMENTE cables XLR de 4 pines IP65 con el ÉPIX Drive 2000 IP. Para ver nuestra línea CHAUVET Professional de cables XLR de 4 pines, visite <https://www.chauvetprofessional.com/accessories>.

Montaje

Antes de montar este producto, lea las [Notas de Seguridad](#). Utilice al menos un punto de montaje por producto. Asegúrese de que las abrazaderas de montaje son capaces de soportar el peso del producto. Para nuestra línea de abrazaderas de montaje CHAUVET Professional, visite <http://trusst.com/products>. Las orejas de montaje en rack no se suministran conectadas al producto.

Diagrama de montaje



Directrices de montaje

Chauvet recomienda seguir las siguientes indicaciones cuando monte el producto:

- Antes de decidir una ubicación, asegúrese siempre de que hay fácil acceso al producto para su mantenimiento y programación.
- Asegúrese de que la estructura o superficie sobre la que está montando el producto puede soportar su peso (consulte el Manual de usuario).
- Cuando monte este producto en alto, use siempre un cable de seguridad. Monte el producto con seguridad a un punto de anclaje, como una plataforma elevada o un truss.
- Cuando cuelgue el producto de un truss, utilice una abrazadera de montaje con la resistencia al peso adecuada.
- Cuando monte el producto en el suelo, asegúrese de que el producto y los cables estén fuera del alcance de personas y vehículos.

Descripción del panel de control

Botón	Función
<MENU>	Salte del menú o función actual y se desplaza hacia abajo por la lista del nivel principal
<ENTER>	Habilita el menú actualmente en pantalla o configura el valor seleccionado actualmente dentro de la función seleccionada
<UP>	Navega hacia arriba por la lista de menú o aumenta el valor numérico cuando está en una función
<DOWN>	Navega hacia abajo por la lista de menú o disminuye el valor numérico cuando está en una función

Mapa de menú

Nivel Principal	Niveles de Programación		Descripción	
Auto Address	No		Encuentra los productos y les asigna dirección automáticamente	
	Yes			
View Linked Fixtures	Port A	1. ____ - 18. ____	Muestra los productos conectados	
	Port B			
LED Output	Off		Apaga toda la emisión LED	
	Red		LED rojos a plena potencia	
	Green		LED verdes a plena potencia	
	Blue		LED azules a plena potencia	
	White		Todos los LED a plena potencia	
	Fade		Programa de fade de color	
	Scroll		Programa de recorrido de color	
Protocol	Port A	Art-Net		Selecciona el protocolo para cada puerto y determina qué otras opciones de menú están disponibles
		Kling-Net		
		sACN		
	Port B	Art-Net		
		Kling-Net		
		sACN		
Display Inverse	No		Rota la pantalla 180°	
	Yes			
Factory Reset	No		Restablece el producto a los valores de fábrica	
	Yes			
Port A (solamente Art-Net™ y sACN)	Personality	Pixel		Configura la personalidad de control para el Puerto A (véase Personalidades de control)
		7-Channel		
		5-Section		
		10-Section		
		25-Section		
	50-Section			
	Universe	000–246 (Art-Net™) 001–247 (sACN)		Configura los 6 universos consecutivos más bajos a los que se asigna el Puerto A
IP Address	IP Address #1–6	1–126 . 0–255 . 0–255 . 0–255	Configura las direcciones IP para el Puerto A Nota: todas las direcciones deben ser únicas	
DMX Address	001–____		Configura la dirección de inicio para el Puerto A (la Personalidad determina el canal más alto)	
Port B (solamente Art-Net™ y sACN)	Personality	Pixel		Configura la personalidad de control para el Puerto B (véase Personalidades de control)
		7-Channel		
		5-Section		
		10-Section		
		25-Section		
	50-Section			
	Universe	000–246 (Art-Net™) 001–247 (sACN)		Configura los 6 universos consecutivos más bajos a los que se asigna el Puerto B
IP Address	IP Address #1–6	1–126 . 0–255 . 0–255 . 0–255	Configura las direcciones IP para el Puerto B Nota: todas las direcciones deben ser únicas	
DMX Address	001–____		Configura la dirección de inicio para el Puerto B (la Personalidad determina el canal más alto)	
Screen Lock	No		Bloquea la pantalla Código de acceso: UP, DOWN, UP, DOWN, ENTER	
	Yes			

Valores de Control
Modo “Pixel” (300 canales por ÉPIX Strip IP)

Canal	Función	Valor	Porcentaje/Configuración
1	Rojo 1	000 ⇔ 255	0-100%
2	Verde 1	000 ⇔ 255	0-100%
3	Azul 1	000 ⇔ 255	0-100%
4	Rojo 2	000 ⇔ 255	0-100%
5	Verde 2	000 ⇔ 255	0-100%
6	Azul 2	000 ⇔ 255	0-100%
7	Rojo 3	000 ⇔ 255	0-100%
8	Verde 3	000 ⇔ 255	0-100%
9	Azul 3	000 ⇔ 255	0-100%
10	Rojo 4	000 ⇔ 255	0-100%
11	Verde 4	000 ⇔ 255	0-100%
12	Azul 4	000 ⇔ 255	0-100%
13	Rojo 5	000 ⇔ 255	0-100%
14	Verde 5	000 ⇔ 255	0-100%
15	Azul 5	000 ⇔ 255	0-100%
16	Rojo 6	000 ⇔ 255	0-100%
17	Verde 6	000 ⇔ 255	0-100%
18	Azul 6	000 ⇔ 255	0-100%
19	Rojo 7	000 ⇔ 255	0-100%
20	Verde 7	000 ⇔ 255	0-100%
21	Azul 7	000 ⇔ 255	0-100%
22	Rojo 8	000 ⇔ 255	0-100%
23	Verde 8	000 ⇔ 255	0-100%
24	Azul 8	000 ⇔ 255	0-100%
25	Rojo 9	000 ⇔ 255	0-100%
26	Verde 9	000 ⇔ 255	0-100%
27	Azul 9	000 ⇔ 255	0-100%
28	Rojo 10	000 ⇔ 255	0-100%
29	Verde 10	000 ⇔ 255	0-100%
30	Azul 10	000 ⇔ 255	0-100%
31	Rojo 11	000 ⇔ 255	0-100%
32	Verde 11	000 ⇔ 255	0-100%
33	Azul 11	000 ⇔ 255	0-100%
34	Rojo 12	000 ⇔ 255	0-100%
35	Verde 12	000 ⇔ 255	0-100%
36	Azul 12	000 ⇔ 255	0-100%
37	Rojo 13	000 ⇔ 255	0-100%
38	Verde 13	000 ⇔ 255	0-100%
39	Azul 13	000 ⇔ 255	0-100%
40	Rojo 14	000 ⇔ 255	0-100%
41	Verde 14	000 ⇔ 255	0-100%
42	Azul 14	000 ⇔ 255	0-100%
43	Rojo 15	000 ⇔ 255	0-100%
44	Verde 15	000 ⇔ 255	0-100%
45	Azul 15	000 ⇔ 255	0-100%
46	Rojo 16	000 ⇔ 255	0-100%
47	Verde 16	000 ⇔ 255	0-100%
48	Azul 16	000 ⇔ 255	0-100%
49	Rojo 17	000 ⇔ 255	0-100%
50	Verde 17	000 ⇔ 255	0-100%
51	Azul 17	000 ⇔ 255	0-100%
52	Rojo 18	000 ⇔ 255	0-100%
53	Verde 18	000 ⇔ 255	0-100%
54	Azul 18	000 ⇔ 255	0-100%

Canal	Función	Valor	Porcentaje/Configuración
55	Rojo 19	000 ⇔ 255	0–100%
56	Verde 19	000 ⇔ 255	0–100%
57	Azul 19	000 ⇔ 255	0–100%
58	Rojo 20	000 ⇔ 255	0–100%
59	Verde 20	000 ⇔ 255	0–100%
60	Azul 20	000 ⇔ 255	0–100%
61	Rojo 21	000 ⇔ 255	0–100%
62	Verde 21	000 ⇔ 255	0–100%
63	Azul 21	000 ⇔ 255	0–100%
64	Rojo 22	000 ⇔ 255	0–100%
65	Verde 22	000 ⇔ 255	0–100%
66	Azul 22	000 ⇔ 255	0–100%
67	Rojo 23	000 ⇔ 255	0–100%
68	Verde 23	000 ⇔ 255	0–100%
69	Azul 23	000 ⇔ 255	0–100%
70	Rojo 24	000 ⇔ 255	0–100%
71	Verde 24	000 ⇔ 255	0–100%
72	Azul 24	000 ⇔ 255	0–100%
73	Rojo 25	000 ⇔ 255	0–100%
74	Verde 25	000 ⇔ 255	0–100%
75	Azul 25	000 ⇔ 255	0–100%
76	Rojo 26	000 ⇔ 255	0–100%
77	Verde 26	000 ⇔ 255	0–100%
78	Azul 26	000 ⇔ 255	0–100%
79	Rojo 27	000 ⇔ 255	0–100%
80	Verde 27	000 ⇔ 255	0–100%
81	Azul 27	000 ⇔ 255	0–100%
82	Rojo 28	000 ⇔ 255	0–100%
83	Verde 28	000 ⇔ 255	0–100%
84	Azul 28	000 ⇔ 255	0–100%
85	Rojo 29	000 ⇔ 255	0–100%
86	Verde 29	000 ⇔ 255	0–100%
87	Azul 29	000 ⇔ 255	0–100%
88	Rojo 30	000 ⇔ 255	0–100%
89	Verde 30	000 ⇔ 255	0–100%
90	Azul 30	000 ⇔ 255	0–100%
91	Rojo 31	000 ⇔ 255	0–100%
92	Verde 31	000 ⇔ 255	0–100%
93	Azul 31	000 ⇔ 255	0–100%
94	Rojo 32	000 ⇔ 255	0–100%
95	Verde 32	000 ⇔ 255	0–100%
96	Azul 32	000 ⇔ 255	0–100%
97	Rojo 33	000 ⇔ 255	0–100%
98	Verde 33	000 ⇔ 255	0–100%
99	Azul 33	000 ⇔ 255	0–100%
100	Rojo 34	000 ⇔ 255	0–100%
101	Verde 34	000 ⇔ 255	0–100%
102	Azul 34	000 ⇔ 255	0–100%
103	Rojo 35	000 ⇔ 255	0–100%
104	Verde 35	000 ⇔ 255	0–100%
105	Azul 35	000 ⇔ 255	0–100%
106	Rojo 36	000 ⇔ 255	0–100%
107	Verde 36	000 ⇔ 255	0–100%
108	Azul 36	000 ⇔ 255	0–100%
109	Rojo 37	000 ⇔ 255	0–100%
110	Verde 37	000 ⇔ 255	0–100%
111	Azul 37	000 ⇔ 255	0–100%

Canal	Función	Valor	Porcentaje/Configuración
112	Rojo 38	000 ⇔ 255	0-100%
113	Verde 38	000 ⇔ 255	0-100%
114	Azul 38	000 ⇔ 255	0-100%
115	Rojo 39	000 ⇔ 255	0-100%
116	Verde 39	000 ⇔ 255	0-100%
117	Azul 39	000 ⇔ 255	0-100%
118	Rojo 40	000 ⇔ 255	0-100%
119	Verde 40	000 ⇔ 255	0-100%
120	Azul 40	000 ⇔ 255	0-100%
121	Rojo 41	000 ⇔ 255	0-100%
122	Verde 41	000 ⇔ 255	0-100%
123	Azul 41	000 ⇔ 255	0-100%
124	Rojo 42	000 ⇔ 255	0-100%
125	Verde 42	000 ⇔ 255	0-100%
126	Azul 42	000 ⇔ 255	0-100%
127	Rojo 43	000 ⇔ 255	0-100%
128	Verde 43	000 ⇔ 255	0-100%
129	Azul 43	000 ⇔ 255	0-100%
130	Rojo 44	000 ⇔ 255	0-100%
131	Verde 44	000 ⇔ 255	0-100%
132	Azul 44	000 ⇔ 255	0-100%
133	Rojo 45	000 ⇔ 255	0-100%
134	Verde 45	000 ⇔ 255	0-100%
135	Azul 45	000 ⇔ 255	0-100%
136	Rojo 46	000 ⇔ 255	0-100%
137	Verde 46	000 ⇔ 255	0-100%
138	Azul 46	000 ⇔ 255	0-100%
139	Rojo 47	000 ⇔ 255	0-100%
140	Verde 47	000 ⇔ 255	0-100%
141	Azul 47	000 ⇔ 255	0-100%
142	Rojo 48	000 ⇔ 255	0-100%
143	Verde 48	000 ⇔ 255	0-100%
144	Azul 48	000 ⇔ 255	0-100%
145	Rojo 49	000 ⇔ 255	0-100%
146	Verde 49	000 ⇔ 255	0-100%
147	Azul 49	000 ⇔ 255	0-100%
148	Rojo 50	000 ⇔ 255	0-100%
149	Verde 50	000 ⇔ 255	0-100%
150	Azul 50	000 ⇔ 255	0-100%
151	Rojo 51	000 ⇔ 255	0-100%
152	Verde 51	000 ⇔ 255	0-100%
153	Azul 51	000 ⇔ 255	0-100%
154	Rojo 52	000 ⇔ 255	0-100%
155	Verde 52	000 ⇔ 255	0-100%
156	Azul 52	000 ⇔ 255	0-100%
157	Rojo 53	000 ⇔ 255	0-100%
158	Verde 53	000 ⇔ 255	0-100%
159	Azul 53	000 ⇔ 255	0-100%
160	Rojo 54	000 ⇔ 255	0-100%
161	Verde 54	000 ⇔ 255	0-100%
162	Azul 54	000 ⇔ 255	0-100%
163	Rojo 55	000 ⇔ 255	0-100%
164	Verde 55	000 ⇔ 255	0-100%
165	Azul 55	000 ⇔ 255	0-100%
166	Rojo 56	000 ⇔ 255	0-100%
167	Verde 56	000 ⇔ 255	0-100%
168	Azul 56	000 ⇔ 255	0-100%

GUÍA DE REFERENCIA RÁPIDA



ES

Canal	Función	Valor	Porcentaje/Configuración
169	Rojo 57	000 ⇄ 255	0–100%
170	Verde 57	000 ⇄ 255	0–100%
171	Azul 57	000 ⇄ 255	0–100%
172	Rojo 58	000 ⇄ 255	0–100%
173	Verde 58	000 ⇄ 255	0–100%
174	Azul 58	000 ⇄ 255	0–100%
175	Rojo 59	000 ⇄ 255	0–100%
176	Verde 59	000 ⇄ 255	0–100%
177	Azul 59	000 ⇄ 255	0–100%
178	Rojo 60	000 ⇄ 255	0–100%
179	Verde 60	000 ⇄ 255	0–100%
180	Azul 60	000 ⇄ 255	0–100%
181	Rojo 61	000 ⇄ 255	0–100%
182	Verde 61	000 ⇄ 255	0–100%
183	Azul 61	000 ⇄ 255	0–100%
184	Rojo 62	000 ⇄ 255	0–100%
185	Verde 62	000 ⇄ 255	0–100%
186	Azul 62	000 ⇄ 255	0–100%
187	Rojo 63	000 ⇄ 255	0–100%
188	Verde 63	000 ⇄ 255	0–100%
189	Azul 63	000 ⇄ 255	0–100%
190	Rojo 64	000 ⇄ 255	0–100%
191	Verde 64	000 ⇄ 255	0–100%
192	Azul 64	000 ⇄ 255	0–100%
193	Rojo 65	000 ⇄ 255	0–100%
194	Verde 65	000 ⇄ 255	0–100%
195	Azul 65	000 ⇄ 255	0–100%
196	Rojo 66	000 ⇄ 255	0–100%
197	Verde 66	000 ⇄ 255	0–100%
198	Azul 66	000 ⇄ 255	0–100%
199	Rojo 67	000 ⇄ 255	0–100%
200	Verde 67	000 ⇄ 255	0–100%
201	Azul 67	000 ⇄ 255	0–100%
202	Rojo 68	000 ⇄ 255	0–100%
203	Verde 68	000 ⇄ 255	0–100%
204	Azul 68	000 ⇄ 255	0–100%
205	Rojo 69	000 ⇄ 255	0–100%
206	Verde 69	000 ⇄ 255	0–100%
207	Azul 69	000 ⇄ 255	0–100%
208	Rojo 70	000 ⇄ 255	0–100%
209	Verde 70	000 ⇄ 255	0–100%
210	Azul 70	000 ⇄ 255	0–100%
211	Rojo 71	000 ⇄ 255	0–100%
212	Verde 71	000 ⇄ 255	0–100%
213	Azul 71	000 ⇄ 255	0–100%
214	Rojo 72	000 ⇄ 255	0–100%
215	Verde 72	000 ⇄ 255	0–100%
216	Azul 72	000 ⇄ 255	0–100%
217	Rojo 73	000 ⇄ 255	0–100%
218	Verde 73	000 ⇄ 255	0–100%
219	Azul 73	000 ⇄ 255	0–100%
220	Rojo 74	000 ⇄ 255	0–100%
221	Verde 74	000 ⇄ 255	0–100%
222	Azul 74	000 ⇄ 255	0–100%
223	Rojo 75	000 ⇄ 255	0–100%
224	Verde 75	000 ⇄ 255	0–100%
225	Azul 75	000 ⇄ 255	0–100%

Canal	Función	Valor	Porcentaje/Configuración
226	Rojo 76	000 ⇔ 255	0-100%
227	Verde 76	000 ⇔ 255	0-100%
228	Azul 76	000 ⇔ 255	0-100%
229	Rojo 77	000 ⇔ 255	0-100%
230	Verde 77	000 ⇔ 255	0-100%
231	Azul 77	000 ⇔ 255	0-100%
232	Rojo 78	000 ⇔ 255	0-100%
233	Verde 78	000 ⇔ 255	0-100%
234	Azul 78	000 ⇔ 255	0-100%
235	Rojo 79	000 ⇔ 255	0-100%
236	Verde 79	000 ⇔ 255	0-100%
237	Azul 79	000 ⇔ 255	0-100%
238	Rojo 80	000 ⇔ 255	0-100%
239	Verde 80	000 ⇔ 255	0-100%
240	Azul 80	000 ⇔ 255	0-100%
241	Rojo 81	000 ⇔ 255	0-100%
242	Verde 81	000 ⇔ 255	0-100%
243	Azul 81	000 ⇔ 255	0-100%
244	Rojo 82	000 ⇔ 255	0-100%
245	Verde 82	000 ⇔ 255	0-100%
246	Azul 82	000 ⇔ 255	0-100%
247	Rojo 83	000 ⇔ 255	0-100%
248	Verde 83	000 ⇔ 255	0-100%
249	Azul 83	000 ⇔ 255	0-100%
250	Rojo 84	000 ⇔ 255	0-100%
251	Verde 84	000 ⇔ 255	0-100%
252	Azul 84	000 ⇔ 255	0-100%
253	Rojo 85	000 ⇔ 255	0-100%
254	Verde 85	000 ⇔ 255	0-100%
255	Azul 85	000 ⇔ 255	0-100%
256	Rojo 86	000 ⇔ 255	0-100%
257	Verde 86	000 ⇔ 255	0-100%
258	Azul 86	000 ⇔ 255	0-100%
259	Rojo 87	000 ⇔ 255	0-100%
260	Verde 87	000 ⇔ 255	0-100%
261	Azul 87	000 ⇔ 255	0-100%
262	Rojo 88	000 ⇔ 255	0-100%
263	Verde 88	000 ⇔ 255	0-100%
264	Azul 88	000 ⇔ 255	0-100%
265	Rojo 89	000 ⇔ 255	0-100%
266	Verde 89	000 ⇔ 255	0-100%
267	Azul 89	000 ⇔ 255	0-100%
268	Rojo 90	000 ⇔ 255	0-100%
269	Verde 90	000 ⇔ 255	0-100%
270	Azul 90	000 ⇔ 255	0-100%
271	Rojo 91	000 ⇔ 255	0-100%
272	Verde 91	000 ⇔ 255	0-100%
273	Azul 91	000 ⇔ 255	0-100%
274	Rojo 92	000 ⇔ 255	0-100%
275	Verde 92	000 ⇔ 255	0-100%
276	Azul 92	000 ⇔ 255	0-100%
277	Rojo 93	000 ⇔ 255	0-100%
278	Verde 93	000 ⇔ 255	0-100%
279	Azul 93	000 ⇔ 255	0-100%
280	Rojo 94	000 ⇔ 255	0-100%
281	Verde 94	000 ⇔ 255	0-100%
282	Azul 94	000 ⇔ 255	0-100%

Canal	Función	Valor	Porcentaje/Configuración
283	Rojo 95	000 ⇔ 255	0–100%
284	Verde 95	000 ⇔ 255	0–100%
285	Azul 95	000 ⇔ 255	0–100%
286	Rojo 96	000 ⇔ 255	0–100%
287	Verde 96	000 ⇔ 255	0–100%
288	Azul 96	000 ⇔ 255	0–100%
289	Rojo 97	000 ⇔ 255	0–100%
290	Verde 97	000 ⇔ 255	0–100%
291	Azul 97	000 ⇔ 255	0–100%
292	Rojo 98	000 ⇔ 255	0–100%
293	Verde 98	000 ⇔ 255	0–100%
294	Azul 98	000 ⇔ 255	0–100%
295	Rojo 99	000 ⇔ 255	0–100%
296	Verde 99	000 ⇔ 255	0–100%
297	Azul 99	000 ⇔ 255	0–100%
298	Rojo 100	000 ⇔ 255	0–100%
299	Verde 100	000 ⇔ 255	0–100%
300	Azul 100	000 ⇔ 255	0–100%

Modo “7-Channel”

Canal	Función	Valor	Porcentaje/Configuración
1	Atenuador	000 ⇔ 255	0–100%
2	Rojo	000 ⇔ 255	0–100%
3	Verde	000 ⇔ 255	0–100%
4	Azul	000 ⇔ 255	0–100%
5	Programa automático	000 ⇔ 010	Sin función
		011 ⇔ 027	Programa automático 1
		028 ⇔ 043	Programa automático 2
		044 ⇔ 059	Programa automático 3
		060 ⇔ 076	Programa automático 4
		077 ⇔ 092	Programa automático 5
		093 ⇔ 108	Programa automático 6
		109 ⇔ 124	Programa automático 7
		125 ⇔ 141	Programa automático 8
		142 ⇔ 157	Programa automático 9
		158 ⇔ 173	Programa automático 10
		174 ⇔ 189	Programa automático 11
		190 ⇔ 206	Programa automático 12
		207 ⇔ 222	Programa automático 13
		223 ⇔ 238	Programa automático 14
		239 ⇔ 255	Programas todos (Programas automáticos 1–14)
6	Velocidad	000 ⇔ 255	0–100%
7	Estroboscopio	000 ⇔ 010	Sin función
		011 ⇔ 255	Estroboscopio, lento a rápido

Modo “5-Section” (15 canales por ÉPIX Strip IP)

Canal	Función	Valor	Porcentaje/Configuración
1	Rojo 1–20	000 ⇔ 255	0–100%
2	Verde 1–20	000 ⇔ 255	0–100%
3	Azul 1–20	000 ⇔ 255	0–100%
4	Rojo 21–40	000 ⇔ 255	0–100%
5	Verde 21–40	000 ⇔ 255	0–100%
6	Azul 21–40	000 ⇔ 255	0–100%
7	Rojo 41–60	000 ⇔ 255	0–100%
8	Verde 41–60	000 ⇔ 255	0–100%
9	Azul 41–60	000 ⇔ 255	0–100%
10	Rojo 61–80	000 ⇔ 255	0–100%
11	Verde 61–80	000 ⇔ 255	0–100%
12	Azul 61–80	000 ⇔ 255	0–100%
13	Rojo 81–100	000 ⇔ 255	0–100%
14	Verde 81–100	000 ⇔ 255	0–100%
15	Azul 81–100	000 ⇔ 255	0–100%

Modo “10-Section” (30 canales por ÉPIX Strip IP)

Canal	Función	Valor	Porcentaje/Configuración
1	Rojo 1–10	000 ⇔ 255	0–100%
2	Verde 1–10	000 ⇔ 255	0–100%
3	Azul 1–10	000 ⇔ 255	0–100%
4	Rojo 11–20	000 ⇔ 255	0–100%
5	Verde 11–20	000 ⇔ 255	0–100%
6	Azul 11–20	000 ⇔ 255	0–100%
7	Rojo 21–30	000 ⇔ 255	0–100%
8	Verde 21–30	000 ⇔ 255	0–100%
9	Azul 21–30	000 ⇔ 255	0–100%
10	Rojo 31–40	000 ⇔ 255	0–100%
11	Verde 31–40	000 ⇔ 255	0–100%
12	Azul 31–40	000 ⇔ 255	0–100%
13	Rojo 41–50	000 ⇔ 255	0–100%
14	Verde 41–50	000 ⇔ 255	0–100%
15	Azul 41–50	000 ⇔ 255	0–100%
16	Rojo 51–60	000 ⇔ 255	0–100%
17	Verde 51–60	000 ⇔ 255	0–100%
18	Azul 51–60	000 ⇔ 255	0–100%
19	Rojo 61–70	000 ⇔ 255	0–100%
20	Verde 61–70	000 ⇔ 255	0–100%
21	Azul 61–70	000 ⇔ 255	0–100%
22	Rojo 71–80	000 ⇔ 255	0–100%
23	Verde 71–80	000 ⇔ 255	0–100%
24	Azul 71–80	000 ⇔ 255	0–100%
25	Rojo 81–90	000 ⇔ 255	0–100%
26	Verde 81–90	000 ⇔ 255	0–100%
27	Azul 81–90	000 ⇔ 255	0–100%
28	Rojo 91–100	000 ⇔ 255	0–100%
29	Verde 91–100	000 ⇔ 255	0–100%
30	Azul 91–100	000 ⇔ 255	0–100%

Modo “25-Section” (75 canales por ÉPIX Strip IP)

Canal	Función	Valor	Porcentaje/Configuración
1	Rojo 1–4	000 ⇄ 255	0–100%
2	Verde 1–4	000 ⇄ 255	0–100%
3	Azul 1–4	000 ⇄ 255	0–100%
4	Rojo 5–8	000 ⇄ 255	0–100%
5	Verde 5–8	000 ⇄ 255	0–100%
6	Azul 5–8	000 ⇄ 255	0–100%
7	Rojo 9–12	000 ⇄ 255	0–100%
8	Verde 9–12	000 ⇄ 255	0–100%
9	Azul 9–12	000 ⇄ 255	0–100%
10	Rojo 13–16	000 ⇄ 255	0–100%
11	Verde 13–16	000 ⇄ 255	0–100%
12	Azul 13–16	000 ⇄ 255	0–100%
13	Rojo 17–20	000 ⇄ 255	0–100%
14	Verde 17–20	000 ⇄ 255	0–100%
15	Azul 17–20	000 ⇄ 255	0–100%
16	Rojo 21–24	000 ⇄ 255	0–100%
17	Verde 21–24	000 ⇄ 255	0–100%
18	Azul 21–24	000 ⇄ 255	0–100%
19	Rojo 25–28	000 ⇄ 255	0–100%
20	Verde 25–28	000 ⇄ 255	0–100%
21	Azul 25–28	000 ⇄ 255	0–100%
22	Rojo 29–32	000 ⇄ 255	0–100%
23	Verde 29–32	000 ⇄ 255	0–100%
24	Azul 29–32	000 ⇄ 255	0–100%
25	Rojo 33–36	000 ⇄ 255	0–100%
26	Verde 33–36	000 ⇄ 255	0–100%
27	Azul 33–36	000 ⇄ 255	0–100%
28	Rojo 37–40	000 ⇄ 255	0–100%
29	Verde 37–40	000 ⇄ 255	0–100%
30	Azul 37–40	000 ⇄ 255	0–100%
31	Rojo 41–44	000 ⇄ 255	0–100%
32	Verde 41–44	000 ⇄ 255	0–100%
33	Azul 41–44	000 ⇄ 255	0–100%
34	Rojo 45–48	000 ⇄ 255	0–100%
35	Verde 45–48	000 ⇄ 255	0–100%
36	Azul 45–48	000 ⇄ 255	0–100%
37	Rojo 49–52	000 ⇄ 255	0–100%
38	Verde 49–52	000 ⇄ 255	0–100%
39	Azul 49–52	000 ⇄ 255	0–100%
40	Rojo 53–56	000 ⇄ 255	0–100%
41	Verde 53–56	000 ⇄ 255	0–100%
42	Azul 53–56	000 ⇄ 255	0–100%
43	Rojo 57–60	000 ⇄ 255	0–100%
44	Verde 57–60	000 ⇄ 255	0–100%
45	Azul 57–60	000 ⇄ 255	0–100%
46	Rojo 61–64	000 ⇄ 255	0–100%
47	Verde 61–64	000 ⇄ 255	0–100%
48	Azul 61–64	000 ⇄ 255	0–100%
49	Rojo 65–68	000 ⇄ 255	0–100%
50	Verde 65–68	000 ⇄ 255	0–100%
51	Azul 65–68	000 ⇄ 255	0–100%
52	Rojo 69–72	000 ⇄ 255	0–100%
53	Verde 69–72	000 ⇄ 255	0–100%
54	Azul 69–72	000 ⇄ 255	0–100%
55	Rojo 73–76	000 ⇄ 255	0–100%
56	Verde 73–76	000 ⇄ 255	0–100%
57	Azul 73–76	000 ⇄ 255	0–100%

Canal	Función	Valor	Porcentaje/Configuración
58	Rojo 77–80	000 ⇔ 255	0–100%
59	Verde 77–80	000 ⇔ 255	0–100%
60	Azul 77–80	000 ⇔ 255	0–100%
61	Rojo 81–84	000 ⇔ 255	0–100%
62	Verde 81–84	000 ⇔ 255	0–100%
63	Azul 81–84	000 ⇔ 255	0–100%
64	Rojo 85–88	000 ⇔ 255	0–100%
65	Verde 85–88	000 ⇔ 255	0–100%
66	Azul 85–88	000 ⇔ 255	0–100%
67	Rojo 89–92	000 ⇔ 255	0–100%
68	Verde 89–92	000 ⇔ 255	0–100%
69	Azul 89–92	000 ⇔ 255	0–100%
70	Rojo 93–96	000 ⇔ 255	0–100%
71	Verde 93–96	000 ⇔ 255	0–100%
72	Azul 93–96	000 ⇔ 255	0–100%
73	Rojo 97–100	000 ⇔ 255	0–100%
74	Verde 97–100	000 ⇔ 255	0–100%
75	Azul 97–100	000 ⇔ 255	0–100%

Modo “50-Section” (150 canales por ÉPIX Strip IP)

Channel	Function	Value	Percent/Setting
1	Rojo 1–2	000 ⇔ 255	0–100%
2	Verde 1–2	000 ⇔ 255	0–100%
3	Azul 1–2	000 ⇔ 255	0–100%
4	Rojo 3–4	000 ⇔ 255	0–100%
5	Verde 3–4	000 ⇔ 255	0–100%
6	Azul 3–4	000 ⇔ 255	0–100%
7	Rojo 5–6	000 ⇔ 255	0–100%
8	Verde 5–6	000 ⇔ 255	0–100%
9	Azul 5–6	000 ⇔ 255	0–100%
10	Rojo 7–8	000 ⇔ 255	0–100%
11	Verde 7–8	000 ⇔ 255	0–100%
12	Azul 7–8	000 ⇔ 255	0–100%
13	Rojo 9–10	000 ⇔ 255	0–100%
14	Verde 9–10	000 ⇔ 255	0–100%
15	Azul 9–10	000 ⇔ 255	0–100%
16	Rojo 11–12	000 ⇔ 255	0–100%
17	Verde 11–12	000 ⇔ 255	0–100%
18	Azul 11–12	000 ⇔ 255	0–100%
19	Rojo 13–14	000 ⇔ 255	0–100%
20	Verde 13–14	000 ⇔ 255	0–100%
21	Azul 13–14	000 ⇔ 255	0–100%
22	Rojo 15–16	000 ⇔ 255	0–100%
23	Verde 15–16	000 ⇔ 255	0–100%
24	Azul 15–16	000 ⇔ 255	0–100%
25	Rojo 17–18	000 ⇔ 255	0–100%
26	Verde 17–18	000 ⇔ 255	0–100%
27	Azul 17–18	000 ⇔ 255	0–100%
28	Rojo 19–20	000 ⇔ 255	0–100%
29	Verde 19–20	000 ⇔ 255	0–100%
30	Azul 19–20	000 ⇔ 255	0–100%
31	Rojo 21–22	000 ⇔ 255	0–100%
32	Verde 21–22	000 ⇔ 255	0–100%
33	Azul 21–22	000 ⇔ 255	0–100%
34	Rojo 23–24	000 ⇔ 255	0–100%
35	Verde 23–24	000 ⇔ 255	0–100%
36	Azul 23–24	000 ⇔ 255	0–100%

Channel	Function	Value	Percent/Setting
37	Rojo 25–26	000 ⇄ 255	0–100%
38	Verde 25–26	000 ⇄ 255	0–100%
39	Azul 25–26	000 ⇄ 255	0–100%
40	Rojo 27–28	000 ⇄ 255	0–100%
41	Verde 27–28	000 ⇄ 255	0–100%
42	Azul 27–28	000 ⇄ 255	0–100%
43	Rojo 29–30	000 ⇄ 255	0–100%
44	Verde 29–30	000 ⇄ 255	0–100%
45	Azul 29–30	000 ⇄ 255	0–100%
46	Rojo 31–32	000 ⇄ 255	0–100%
47	Verde 31–32	000 ⇄ 255	0–100%
48	Azul 31–32	000 ⇄ 255	0–100%
49	Rojo 33–34	000 ⇄ 255	0–100%
50	Verde 33–34	000 ⇄ 255	0–100%
51	Azul 33–34	000 ⇄ 255	0–100%
52	Rojo 35–36	000 ⇄ 255	0–100%
53	Verde 35–36	000 ⇄ 255	0–100%
54	Azul 35–36	000 ⇄ 255	0–100%
55	Rojo 37–38	000 ⇄ 255	0–100%
56	Verde 37–38	000 ⇄ 255	0–100%
57	Azul 37–38	000 ⇄ 255	0–100%
58	Rojo 39–40	000 ⇄ 255	0–100%
59	Verde 39–40	000 ⇄ 255	0–100%
60	Azul 39–40	000 ⇄ 255	0–100%
61	Rojo 41–42	000 ⇄ 255	0–100%
62	Verde 41–42	000 ⇄ 255	0–100%
63	Azul 41–42	000 ⇄ 255	0–100%
64	Rojo 43–44	000 ⇄ 255	0–100%
65	Verde 43–44	000 ⇄ 255	0–100%
66	Azul 43–44	000 ⇄ 255	0–100%
67	Rojo 45–46	000 ⇄ 255	0–100%
68	Verde 45–46	000 ⇄ 255	0–100%
69	Azul 45–46	000 ⇄ 255	0–100%
70	Rojo 47–48	000 ⇄ 255	0–100%
71	Verde 47–48	000 ⇄ 255	0–100%
72	Azul 47–48	000 ⇄ 255	0–100%
73	Rojo 49–50	000 ⇄ 255	0–100%
74	Verde 49–50	000 ⇄ 255	0–100%
75	Azul 49–50	000 ⇄ 255	0–100%
76	Rojo 51–52	000 ⇄ 255	0–100%
77	Verde 51–52	000 ⇄ 255	0–100%
78	Azul 51–52	000 ⇄ 255	0–100%
79	Rojo 53–54	000 ⇄ 255	0–100%
80	Verde 53–54	000 ⇄ 255	0–100%
81	Azul 53–54	000 ⇄ 255	0–100%
82	Rojo 55–56	000 ⇄ 255	0–100%
83	Verde 55–56	000 ⇄ 255	0–100%
84	Azul 55–56	000 ⇄ 255	0–100%
85	Rojo 57–58	000 ⇄ 255	0–100%
86	Verde 57–58	000 ⇄ 255	0–100%
87	Azul 57–58	000 ⇄ 255	0–100%
88	Rojo 59–60	000 ⇄ 255	0–100%
89	Verde 59–60	000 ⇄ 255	0–100%
90	Azul 59–60	000 ⇄ 255	0–100%
91	Rojo 61–62	000 ⇄ 255	0–100%
92	Verde 61–62	000 ⇄ 255	0–100%
93	Azul 61–62	000 ⇄ 255	0–100%

Channel	Function	Value	Percent/Setting
94	Rojo 63–64	000 ⇔ 255	0–100%
95	Verde 63–64	000 ⇔ 255	0–100%
96	Azul 63–64	000 ⇔ 255	0–100%
97	Rojo 65–66	000 ⇔ 255	0–100%
98	Verde 65–66	000 ⇔ 255	0–100%
99	Azul 65–66	000 ⇔ 255	0–100%
100	Rojo 67–68	000 ⇔ 255	0–100%
101	Verde 67–68	000 ⇔ 255	0–100%
102	Azul 67–68	000 ⇔ 255	0–100%
103	Rojo 69–70	000 ⇔ 255	0–100%
104	Verde 69–70	000 ⇔ 255	0–100%
105	Azul 69–70	000 ⇔ 255	0–100%
106	Rojo 71–72	000 ⇔ 255	0–100%
107	Verde 71–72	000 ⇔ 255	0–100%
108	Azul 71–72	000 ⇔ 255	0–100%
109	Rojo 73–74	000 ⇔ 255	0–100%
110	Verde 73–74	000 ⇔ 255	0–100%
111	Azul 73–74	000 ⇔ 255	0–100%
112	Rojo 75–76	000 ⇔ 255	0–100%
113	Verde 75–76	000 ⇔ 255	0–100%
114	Azul 75–76	000 ⇔ 255	0–100%
115	Rojo 77–78	000 ⇔ 255	0–100%
116	Verde 77–78	000 ⇔ 255	0–100%
117	Azul 77–78	000 ⇔ 255	0–100%
118	Rojo 79–80	000 ⇔ 255	0–100%
119	Verde 79–80	000 ⇔ 255	0–100%
120	Azul 79–80	000 ⇔ 255	0–100%
121	Rojo 81–82	000 ⇔ 255	0–100%
122	Verde 81–82	000 ⇔ 255	0–100%
123	Azul 81–82	000 ⇔ 255	0–100%
124	Rojo 83–84	000 ⇔ 255	0–100%
125	Verde 83–84	000 ⇔ 255	0–100%
126	Azul 83–84	000 ⇔ 255	0–100%
127	Rojo 85–86	000 ⇔ 255	0–100%
128	Verde 85–86	000 ⇔ 255	0–100%
129	Azul 85–86	000 ⇔ 255	0–100%
130	Rojo 87–88	000 ⇔ 255	0–100%
131	Verde 87–88	000 ⇔ 255	0–100%
132	Azul 87–88	000 ⇔ 255	0–100%
133	Rojo 89–90	000 ⇔ 255	0–100%
134	Verde 89–90	000 ⇔ 255	0–100%
135	Azul 89–90	000 ⇔ 255	0–100%
136	Rojo 91–92	000 ⇔ 255	0–100%
137	Verde 91–92	000 ⇔ 255	0–100%
138	Azul 91–92	000 ⇔ 255	0–100%
139	Rojo 93–94	000 ⇔ 255	0–100%
140	Verde 93–94	000 ⇔ 255	0–100%
141	Azul 93–94	000 ⇔ 255	0–100%
142	Rojo 95–96	000 ⇔ 255	0–100%
143	Verde 95–96	000 ⇔ 255	0–100%
144	Azul 95–96	000 ⇔ 255	0–100%
145	Rojo 97–98	000 ⇔ 255	0–100%
146	Verde 97–98	000 ⇔ 255	0–100%
147	Azul 97–98	000 ⇔ 255	0–100%
148	Rojo 99–100	000 ⇔ 255	0–100%
149	Verde 99–100	000 ⇔ 255	0–100%
150	Azul 99–100	000 ⇔ 255	0–100%

A propos de ce manuel

Le Manuel de Référence (MdR) du ÉPIX Drive 2000 IP reprend des informations de base sur cet appareil notamment en matière de montage, d'options de menu et de valeurs de contrôle. Veuillez télécharger le manuel d'utilisation à partir du site internet www.chauvetprofessional.com pour plus de détails.

Clause de non Responsabilité

Les informations et caractéristiques contenues dans ce MdR sont sujettes à modification sans préavis.

Consignes de Sécurité

Ces consignes de sécurité contiennent des informations importantes en matière d'installation, d'utilisation et d'entretien.

- NE PAS ouvrir cet appareil. Il ne renferme aucune pièce réparable.
- Durant les périodes de non-utilisation, pour éviter toute usure inutile et pour prolonger la durée de vie, déconnectez entièrement l'appareil en le débranchant de l'alimentation électrique ou en coupant le disjoncteur.
- ATTENTION: Lorsque l'appareil est déplacé d'un environnement à température extrême à un autre (par exemple d'un camion froid vers une salle de bal chaude et humide), de la condensation peut se former sur les composants électriques internes. Pour éviter de causer des dommages, laissez l'appareil s'acclimater entièrement au milieu environnant avant de le mettre sous tension.
- ATTENTION: Le boîtier de ce produit peut devenir chaud lorsque les lumières sont en fonctionnement.
- Installez cet appareil dans un endroit bien ventilé à au moins 50 cm (20 po) des surfaces adjacentes.
- NE PAS laisser de matière inflammable à moins de 50 cm de cet appareil lorsqu'il est en fonctionnement ou tout simplement branché.
- UTILISEZ un câble de sécurité lors du montage de cet appareil en hauteur.
- NE PAS immerger ce produit (IP65). Une utilisation ponctuelle en extérieure est possible.
- Lors de l'utilisation de cet appareil en environnement extérieur, utilisez des câbles d'alimentation et de données certifiés IP65 au minimum. Pensez-bien à protéger les ports d'alimentation et de données non utilisés en utilisant les couvercles IP 65 fournis.
- NE PAS utiliser cet appareil si le boîtier, les ports ou les câbles paraissent endommagés.
- Ne connectez jamais l'appareil à un variateur ou un rhéostat.
- Cet appareil DOIT être branché sur un circuit relié à la terre et protégé.
- En cas de graves problèmes de fonctionnement, arrêtez l'appareil immédiatement.
- La température ambiante maximale est de 45 °C (113 °F). Ne faites pas fonctionner cet appareil à des températures plus élevées.

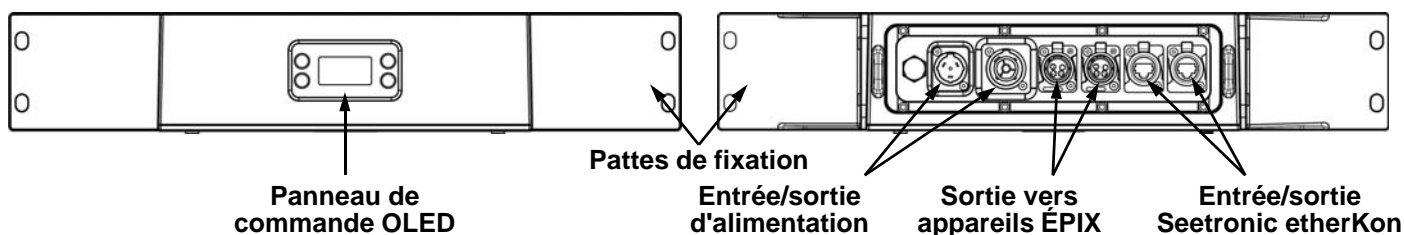
Contact

En dehors des États-Unis, du Royaume-Uni et de l'Irlande, du Mexique, ou de Benelux contactez votre fournisseur si vous avez besoin d'assistance ou de retourner votre produit. Consultez le site www.chauvetprofessional.com pour trouver nos coordonnées.

Ce qui est Inclus

- ÉPIX Drive 2000 IP
- Un cordon d'alimentation Seetronic Powerkon IP65
- Fixation Omega sans matériel de montage
- 2 pattes de fixations et visseries
- Une fiche de Garantie
- Un Manuel de Référence

Vue d'ensemble du produit



Alimentation CA

Ce produit est doté d'une alimentation universelle prenant en charge toute tension d'entrée comprise entre 100 et 240 VCA, 50/60 Hz.

Connexion Electrique

Vous pouvez connecter jusqu'à 3 ÉPIX Drive 2000 IP à 120 V, 4 unités à 208 V ou 5 unités à 230 V. Vous pouvez vous procurer séparément des cordons d'alimentation.

Prise CA

Connexion	Câble (États-Unis)	Câble (Europe)	Couleur de la Vis
Conducteur CA	Noir	Marron	Jaune/Cuivré
Neutre CA	Blanc	Bleu	Argenté
Terre CA	Vert/Jaune	Vert/Jaune	Vert



Durant les périodes de non-utilisation, pour éviter toute usure inutile et pour prolonger la durée de vie, déconnectez-entièrement l'appareil en le débranchant de l'alimentation électrique ou en coupant le disjoncteur.

Connexions du signal

Le ÉPIX Drive 2000 IP peut être relié à un contrôleur ou à un logiciel de contrôleur à l'aide d'une connexion Ethernet. Même en cas d'utilisation du ÉPIX Drive 2000 IP conjointement avec d'autres appareils compatibles avec les protocoles Art-Net™, sACN ou Kling-Net, chaque appareil peut être contrôlé individuellement sur un même réseau. Veuillez consulter le manuel d'utilisation pour plus d'informations sur la connexion et la configuration de l'appareil avec ces signaux.

Personnalités de contrôle

Le ÉPIX Drive 2000 IP utilise les protocoles Art-Net™ et sACN pour ses personnalités de contrôle:

Personnalité	Canaux	Description
Pixel	300 par ÉPIX Strip IP	Contrôle total des pixels
7-Channel	7	Gradateur, programmes automatiques et stroboscope
5-Section	15 par ÉPIX Strip IP	Contrôle de la sortie LED en 5 groupes de 20 LED
10-Section	30 par ÉPIX Strip IP	Contrôle de la sortie LED en 10 groupes de 10 LED
25-Section	75 par ÉPIX Strip IP	Contrôle de la sortie LED en 25 groupes de 4 LED
50-Section	150 par ÉPIX Strip IP	Contrôle de la sortie LED en 50 groupes de 2 LED

Connexion Art-Net™

Art-Net™ est un protocole Ethernet par TCP/IP qui permet de transférer de grandes quantités de données DMX512 en utilisant une connexion etherCON RJ45 sur un grand réseau. Une introduction au protocole Art-Net™ est disponible sur le site internet www.chauvetprofessional.com. Chauvet Professional recommande d'utiliser le mode Unicast pour de meilleurs résultats.

Art-Net™ conçu et droit d'auteur par Artistic Licence Holdings Ltd.



Cet appareil n'a pas été conçu pour répondre aux contrôleurs émettant en mode Broadcast (diffusion) via le protocole Art-Net™. Pour obtenir les meilleurs résultats, utilisez le mode Unicast. Pour plus d'informations sur le protocole de contrôle utilisé par votre contrôleur, veuillez contacter le fabricant de votre contrôleur.

Connexion sACN

Également appelé ANSI E1.31, le streaming ACN est un protocole Ethernet qui utilise les couches et le formatage de l'Architecture for Control Networks pour transporter des données DMX512 par IP ou tout autre réseau compatible ACN. L'ACN est maintenu par la PLASA (Professional Lighting and Sound Association).

Connexion Kling-Net

Kling-Net est un protocole réseau qui permet la configuration automatique des appareils d'affichage en utilisant une connexion Ethernet etherCON RJ45. Référez-vous au manuel du logiciel ArKaos pour des instructions détaillées sur la programmation de cet appareil.

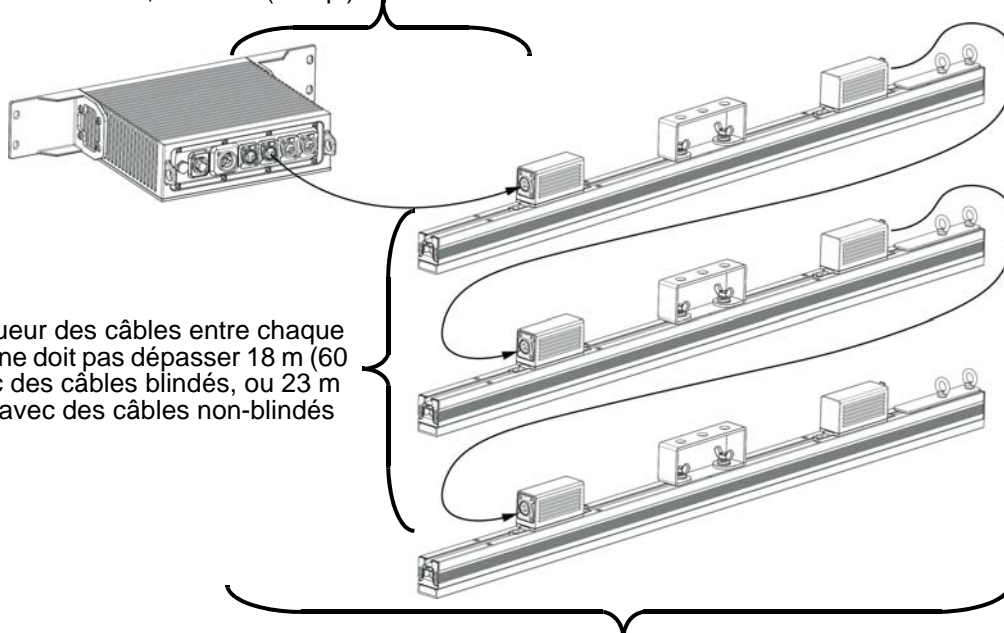


Pour un fonctionnement sans problème, le protocole ArKaos Kling-Net nécessite l'utilisation d'une carte réseau Ethernet gigabit (1000 Mbps) et d'un routeur.

Connexion d'appareils ÉPIX

Le ÉPIX Drive 2000 IP est l'alimentation de la gamme d'appareils ÉPIX IP et ÉPIX Tour. Chaque appareil doit être chaîné électriquement en série. Cette alimentation est capable d'alimenter jusqu'à 2000 LED dans diverses configurations.

La longueur des câbles entre le ÉPIX Drive 2000 IP et le 1er appareil ne doit pas dépasser 20 m (65 pi) avec des câbles blindés, ou 60 m (200 pi) avec des câbles non-blindés



La longueur des câbles entre chaque appareil ne doit pas dépasser 18 m (60 pi) avec des câbles blindés, ou 23 m (75 pi) avec des câbles non-blindés

La longueur totale de câbles ne doit pas dépasser 64 m (210 pi) avec des câbles blindés, ou 91 m (300 pi) avec des câbles non blindés



- 1 = Puissance + (Calibre AWG 12 ou plus)
- 2 = Données + (Calibre AWG 18-24)
- 3 = Données - (Calibre AWG 18-24)
- 4 = Puissance - (Calibre AWG 12 ou plus)

Le ÉPIX Drive 2000 IP peut prendre en charge de nombreux appareils chaînés électriquement dans diverses configurations jusqu'à un total de 2000 LED (jusqu'à 1000 LED par port).

Exemple de configurations pour chaque port:

- 10 appareils ÉPIX Strip IP
- 18 appareils ÉPIX Strip Tour
- 6 appareils ÉPIX Bar Tour
- 5 appareils ÉPIX Strip IP et 9 appareils ÉPIX Strip Tour
- 5 appareils ÉPIX Strip IP et 3 appareils ÉPIX Bar Tour
- 5 appareils ÉPIX Strip IP, 3 appareils ÉPIX Strip Tour et 2 appareils ÉPIX Bar Tour



Assurez-vous que la longueur totale de câbles blindés XLR à 4 broches utilisés pour les connexion ne dépasse pas 64 m (210 pi). L'utilisation de câble non blindés augmente la longueur maximale de câble jusqu'à 91 m (300 pi) tel qu'indiqué dans le schéma ci-dessus. Veuillez télécharger le manuel d'utilisation à l'adresse www.chauvetprofessional.com pour plus de détails.

REMARQUE: Ne combinez pas le ÉPIX Strip IP avec le ÉPIX Strip Tour ou le ÉPIX Bar Tour sur la même sortie du ÉPIX Drive 2000 IP si une personnalité autre que Pixel est sélectionnée.



Les câbles Scroller standard à 4 broches sont en règle générale blindés.

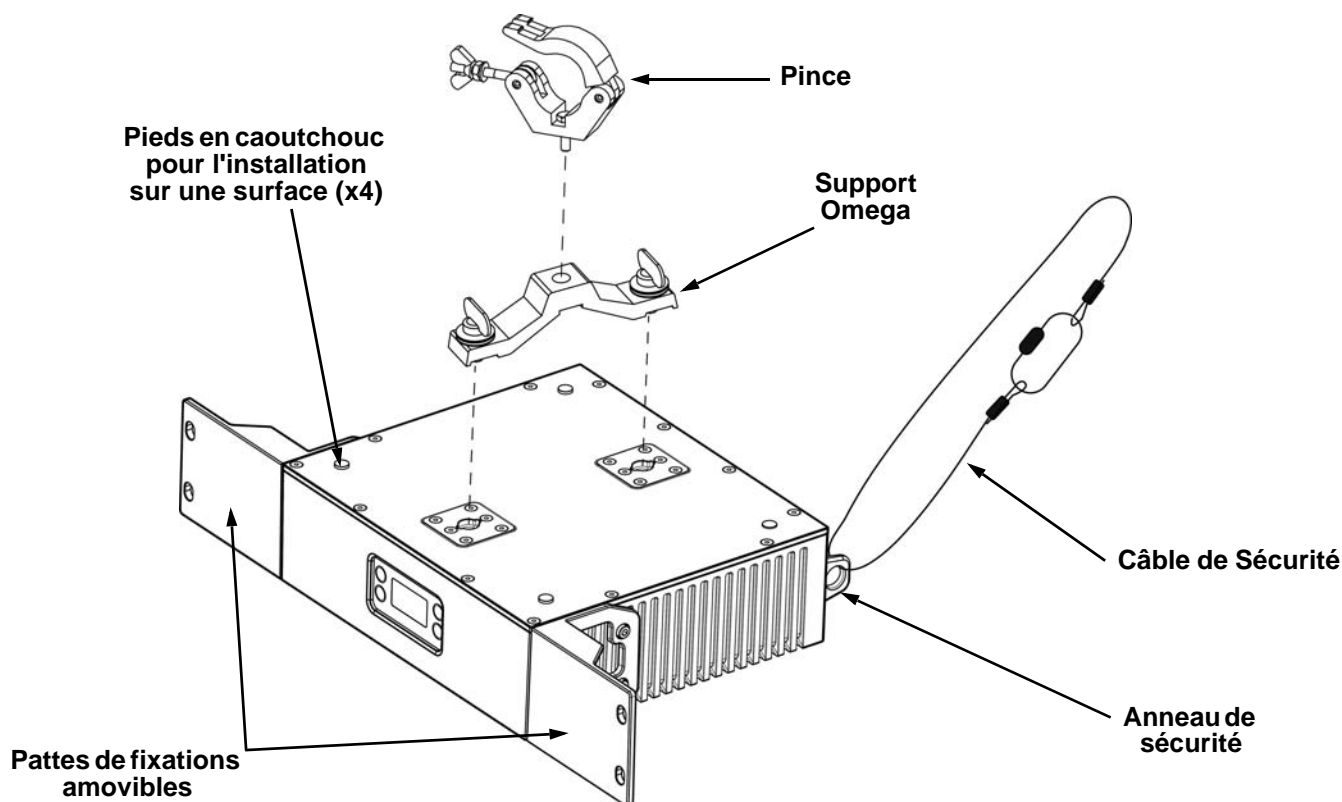


Utilisez **UNIQUEMENT** des câbles XLR 4 broches IP65 avec le ÉPIX Drive 2000 IP. Vous pouvez consulter la gamme CHAUVET Professional de câbles XLR 4 broches IP65 à l'adresse <https://www.chauvetprofessional.com/accessories>.

Montage

Veillez lire les [Consignes de Sécurité](#) avant de monter cet appareil. Utilisez au moins un point de fixation par appareil. Assurez-vous que les fixations de montage peuvent supporter le poids de l'appareil. Pour prendre connaissance de la gamme de pinces de montage CHAUVET Professional, veuillez consulter le site internet à l'adresse <http://trusst.com/products>. Les pattes de fixation ne sont pas livrées montées sur l'appareil.

Schéma de montage de l'appareil



Recommandations pour le montage

Chauvet préconise de suivre les recommandations suivantes lors du montage de cet appareil:

- Avant de choisir un emplacement, assurez-vous toujours qu'il soit facile d'accéder à l'appareil pour l'entretien et la programmation.
- Assurez-vous que la structure ou la surface sur laquelle vous installez l'appareil peut supporter le poids de l'appareil (référez-vous au manuel d'utilisation).
- En cas de montage de l'appareil en hauteur, veillez à toujours utiliser un câble de sécurité. Installez l'appareil de manière sécurisée à un point d'accroche, tel qu'une plateforme élevée ou un treillis.
- Lors du montage du produit sur un treillis, vous devez utiliser une pince de fixation de la capacité en poids appropriée.
- Lors de l'installation de cet appareil au sol, assurez-vous de tenir l'appareil et les câbles à l'écart des personnes et des véhicules.

Control Panel Description

Bouton	Fonction
<MENU>	Permet de sortir du menu ou de la fonction en cours et de naviguer vers le bas dans la liste de menu principal
<ENTER>	Active l'entrée de menu actuellement affichée ou confirme la valeur actuellement sélectionnée pour la fonction en cours de sélection
<UP>	Permet de naviguer vers le haut dans la liste du menu ou d'incrémenter une valeur numérique dans une fonction
<DOWN>	Permet de naviguer vers le bas dans la liste du menu ou de décrémenter une valeur numérique dans une fonction

Plan du Menu

Niveau principal	Niveaux de programmation		Description	
Auto Address	No		Permet de trouver et d'adresser automatiquement les appareils	
	Yes			
View Linked Fixtures	Port A	1. ___ - 18. ___	Affiche les produits connectés	
	Port B			
LED Output	Off		Permet d'éteindre toutes les LED	
	Red		LED rouges au maximum	
	Green		LED vertes au maximum	
	Blue		LED bleues au maximum	
	White		Toutes les LED au maximum	
	Fade		Programme de fondu de couleur	
	Scroll		Programme de défilement de couleurs	
Protocol	Port A	Art-Net		Permet de sélectionner le protocole pour chaque port et de déterminer les autres options de menu disponibles
		Kling-Net		
		sACN		
	Port B	Art-Net		
		Kling-Net		
		sACN		
Display Inverse	No		Rotation de l'affichage de 180°	
	Yes			
Factory Reset	No		Réinitialise l'appareil aux réglages d'usine	
	Yes			
Port A (Art-Net™ et sACN seulement)	Personality	Pixel		Permet de définir la personnalité de contrôle pour le port A (voir Personnalités de contrôle)
		7-Channel		
		5-Section		
		10-Section		
		25-Section		
	50-Section			
	Universe	000–246 (Art-Net™) 001–247 (sACN)		Définit le plus bas des 6 univers consécutifs auquel port A est affecté
IP Address	IP Address #1–6	1–126 . 0–255 . 0–255 . 0–255	Définit les adresses IP pour le port A Remarque: toutes les adresses doivent être uniques	
DMX Address	001–___		Définit l'adresse de départ pour le port A (canal le plus haut déterminé par la personnalité)	
Port B (Art-Net™ et sACN seulement)	Personality	Pixel		Permet de définir la personnalité de contrôle pour le port B (voir Personnalités de contrôle)
		7-Channel		
		5-Section		
		10-Section		
		25-Section		
	50-Section			
	Universe	000–246 (Art-Net™) 001–247 (sACN)		Définit le plus bas des 6 univers consécutifs auquel port B est affecté
IP Address	IP Address #1–6	1–126 . 0–255 . 0–255 . 0–255	Définit les adresses IP pour le port B Remarque: toutes les adresses doivent être uniques	
DMX Address	001–___		Définit l'adresse de départ pour le port B (canal le plus haut déterminé par la personnalité)	
Screen Lock	No		Écran de verrouillage	
	Yes		Code d'accès: UP, DOWN, UP, DOWN, ENTER	

Valeurs de contrôle
Mode "Pixel" (300 canaux par ÉPIX Strip IP)

Canal	Fonction	Valeur	Pourcentage/Paramétrage
1	Rouge 1	000 ⇔ 255	0-100%
2	Vert 1	000 ⇔ 255	0-100%
3	Bleu 1	000 ⇔ 255	0-100%
4	Rouge 2	000 ⇔ 255	0-100%
5	Vert 2	000 ⇔ 255	0-100%
6	Bleu 2	000 ⇔ 255	0-100%
7	Rouge 3	000 ⇔ 255	0-100%
8	Vert 3	000 ⇔ 255	0-100%
9	Bleu 3	000 ⇔ 255	0-100%
10	Rouge 4	000 ⇔ 255	0-100%
11	Vert 4	000 ⇔ 255	0-100%
12	Bleu 4	000 ⇔ 255	0-100%
13	Rouge 5	000 ⇔ 255	0-100%
14	Vert 5	000 ⇔ 255	0-100%
15	Bleu 5	000 ⇔ 255	0-100%
16	Rouge 6	000 ⇔ 255	0-100%
17	Vert 6	000 ⇔ 255	0-100%
18	Bleu 6	000 ⇔ 255	0-100%
19	Rouge 7	000 ⇔ 255	0-100%
20	Vert 7	000 ⇔ 255	0-100%
21	Bleu 7	000 ⇔ 255	0-100%
22	Rouge 8	000 ⇔ 255	0-100%
23	Vert 8	000 ⇔ 255	0-100%
24	Bleu 8	000 ⇔ 255	0-100%
25	Rouge 9	000 ⇔ 255	0-100%
26	Vert 9	000 ⇔ 255	0-100%
27	Bleu 9	000 ⇔ 255	0-100%
28	Rouge 10	000 ⇔ 255	0-100%
29	Vert 10	000 ⇔ 255	0-100%
30	Bleu 10	000 ⇔ 255	0-100%
31	Rouge 11	000 ⇔ 255	0-100%
32	Vert 11	000 ⇔ 255	0-100%
33	Bleu 11	000 ⇔ 255	0-100%
34	Rouge 12	000 ⇔ 255	0-100%
35	Vert 12	000 ⇔ 255	0-100%
36	Bleu 12	000 ⇔ 255	0-100%
37	Rouge 13	000 ⇔ 255	0-100%
38	Vert 13	000 ⇔ 255	0-100%
39	Bleu 13	000 ⇔ 255	0-100%
40	Rouge 14	000 ⇔ 255	0-100%
41	Vert 14	000 ⇔ 255	0-100%
42	Bleu 14	000 ⇔ 255	0-100%
43	Rouge 15	000 ⇔ 255	0-100%
44	Vert 15	000 ⇔ 255	0-100%
45	Bleu 15	000 ⇔ 255	0-100%
46	Rouge 16	000 ⇔ 255	0-100%
47	Vert 16	000 ⇔ 255	0-100%
48	Bleu 16	000 ⇔ 255	0-100%
49	Rouge 17	000 ⇔ 255	0-100%
50	Vert 17	000 ⇔ 255	0-100%
51	Bleu 17	000 ⇔ 255	0-100%
52	Rouge 18	000 ⇔ 255	0-100%
53	Vert 18	000 ⇔ 255	0-100%
54	Bleu 18	000 ⇔ 255	0-100%

Canal	Fonction	Valeur	Pourcentage/Paramétrage
55	Rouge 19	000 ⇔ 255	0–100%
56	Vert 19	000 ⇔ 255	0–100%
57	Bleu 19	000 ⇔ 255	0–100%
58	Rouge 20	000 ⇔ 255	0–100%
59	Vert 20	000 ⇔ 255	0–100%
60	Bleu 20	000 ⇔ 255	0–100%
61	Rouge 21	000 ⇔ 255	0–100%
62	Vert 21	000 ⇔ 255	0–100%
63	Bleu 21	000 ⇔ 255	0–100%
64	Rouge 22	000 ⇔ 255	0–100%
65	Vert 22	000 ⇔ 255	0–100%
66	Bleu 22	000 ⇔ 255	0–100%
67	Rouge 23	000 ⇔ 255	0–100%
68	Vert 23	000 ⇔ 255	0–100%
69	Bleu 23	000 ⇔ 255	0–100%
70	Rouge 24	000 ⇔ 255	0–100%
71	Vert 24	000 ⇔ 255	0–100%
72	Bleu 24	000 ⇔ 255	0–100%
73	Rouge 25	000 ⇔ 255	0–100%
74	Vert 25	000 ⇔ 255	0–100%
75	Bleu 25	000 ⇔ 255	0–100%
76	Rouge 26	000 ⇔ 255	0–100%
77	Vert 26	000 ⇔ 255	0–100%
78	Bleu 26	000 ⇔ 255	0–100%
79	Rouge 27	000 ⇔ 255	0–100%
80	Vert 27	000 ⇔ 255	0–100%
81	Bleu 27	000 ⇔ 255	0–100%
82	Rouge 28	000 ⇔ 255	0–100%
83	Vert 28	000 ⇔ 255	0–100%
84	Bleu 28	000 ⇔ 255	0–100%
85	Rouge 29	000 ⇔ 255	0–100%
86	Vert 29	000 ⇔ 255	0–100%
87	Bleu 29	000 ⇔ 255	0–100%
88	Rouge 30	000 ⇔ 255	0–100%
89	Vert 30	000 ⇔ 255	0–100%
90	Bleu 30	000 ⇔ 255	0–100%
91	Rouge 31	000 ⇔ 255	0–100%
92	Vert 31	000 ⇔ 255	0–100%
93	Bleu 31	000 ⇔ 255	0–100%
94	Rouge 32	000 ⇔ 255	0–100%
95	Vert 32	000 ⇔ 255	0–100%
96	Bleu 32	000 ⇔ 255	0–100%
97	Rouge 33	000 ⇔ 255	0–100%
98	Vert 33	000 ⇔ 255	0–100%
99	Bleu 33	000 ⇔ 255	0–100%
100	Rouge 34	000 ⇔ 255	0–100%
101	Vert 34	000 ⇔ 255	0–100%
102	Bleu 34	000 ⇔ 255	0–100%
103	Rouge 35	000 ⇔ 255	0–100%
104	Vert 35	000 ⇔ 255	0–100%
105	Bleu 35	000 ⇔ 255	0–100%
106	Rouge 36	000 ⇔ 255	0–100%
107	Vert 36	000 ⇔ 255	0–100%
108	Bleu 36	000 ⇔ 255	0–100%
109	Rouge 37	000 ⇔ 255	0–100%
110	Vert 37	000 ⇔ 255	0–100%
111	Bleu 37	000 ⇔ 255	0–100%

Canal	Fonction	Valeur	Pourcentage/Paramétrage
112	Rouge 38	000 ⇔ 255	0-100%
113	Vert 38	000 ⇔ 255	0-100%
114	Bleu 38	000 ⇔ 255	0-100%
115	Rouge 39	000 ⇔ 255	0-100%
116	Vert 39	000 ⇔ 255	0-100%
117	Bleu 39	000 ⇔ 255	0-100%
118	Rouge 40	000 ⇔ 255	0-100%
119	Vert 40	000 ⇔ 255	0-100%
120	Bleu 40	000 ⇔ 255	0-100%
121	Rouge 41	000 ⇔ 255	0-100%
122	Vert 41	000 ⇔ 255	0-100%
123	Bleu 41	000 ⇔ 255	0-100%
124	Rouge 42	000 ⇔ 255	0-100%
125	Vert 42	000 ⇔ 255	0-100%
126	Bleu 42	000 ⇔ 255	0-100%
127	Rouge 43	000 ⇔ 255	0-100%
128	Vert 43	000 ⇔ 255	0-100%
129	Bleu 43	000 ⇔ 255	0-100%
130	Rouge 44	000 ⇔ 255	0-100%
131	Vert 44	000 ⇔ 255	0-100%
132	Bleu 44	000 ⇔ 255	0-100%
133	Rouge 45	000 ⇔ 255	0-100%
134	Vert 45	000 ⇔ 255	0-100%
135	Bleu 45	000 ⇔ 255	0-100%
136	Rouge 46	000 ⇔ 255	0-100%
137	Vert 46	000 ⇔ 255	0-100%
138	Bleu 46	000 ⇔ 255	0-100%
139	Rouge 47	000 ⇔ 255	0-100%
140	Vert 47	000 ⇔ 255	0-100%
141	Bleu 47	000 ⇔ 255	0-100%
142	Rouge 48	000 ⇔ 255	0-100%
143	Vert 48	000 ⇔ 255	0-100%
144	Bleu 48	000 ⇔ 255	0-100%
145	Rouge 49	000 ⇔ 255	0-100%
146	Vert 49	000 ⇔ 255	0-100%
147	Bleu 49	000 ⇔ 255	0-100%
148	Rouge 50	000 ⇔ 255	0-100%
149	Vert 50	000 ⇔ 255	0-100%
150	Bleu 50	000 ⇔ 255	0-100%
151	Rouge 51	000 ⇔ 255	0-100%
152	Vert 51	000 ⇔ 255	0-100%
153	Bleu 51	000 ⇔ 255	0-100%
154	Rouge 52	000 ⇔ 255	0-100%
155	Vert 52	000 ⇔ 255	0-100%
156	Bleu 52	000 ⇔ 255	0-100%
157	Rouge 53	000 ⇔ 255	0-100%
158	Vert 53	000 ⇔ 255	0-100%
159	Bleu 53	000 ⇔ 255	0-100%
160	Rouge 54	000 ⇔ 255	0-100%
161	Vert 54	000 ⇔ 255	0-100%
162	Bleu 54	000 ⇔ 255	0-100%
163	Rouge 55	000 ⇔ 255	0-100%
164	Vert 55	000 ⇔ 255	0-100%
165	Bleu 55	000 ⇔ 255	0-100%
166	Rouge 56	000 ⇔ 255	0-100%
167	Vert 56	000 ⇔ 255	0-100%
168	Bleu 56	000 ⇔ 255	0-100%

Canal	Fonction	Valeur	Pourcentage/Paramétrage
169	Rouge 57	000 ⇔ 255	0–100%
170	Vert 57	000 ⇔ 255	0–100%
171	Bleu 57	000 ⇔ 255	0–100%
172	Rouge 58	000 ⇔ 255	0–100%
173	Vert 58	000 ⇔ 255	0–100%
174	Bleu 58	000 ⇔ 255	0–100%
175	Rouge 59	000 ⇔ 255	0–100%
176	Vert 59	000 ⇔ 255	0–100%
177	Bleu 59	000 ⇔ 255	0–100%
178	Rouge 60	000 ⇔ 255	0–100%
179	Vert 60	000 ⇔ 255	0–100%
180	Bleu 60	000 ⇔ 255	0–100%
181	Rouge 61	000 ⇔ 255	0–100%
182	Vert 61	000 ⇔ 255	0–100%
183	Bleu 61	000 ⇔ 255	0–100%
184	Rouge 62	000 ⇔ 255	0–100%
185	Vert 62	000 ⇔ 255	0–100%
186	Bleu 62	000 ⇔ 255	0–100%
187	Rouge 63	000 ⇔ 255	0–100%
188	Vert 63	000 ⇔ 255	0–100%
189	Bleu 63	000 ⇔ 255	0–100%
190	Rouge 64	000 ⇔ 255	0–100%
191	Vert 64	000 ⇔ 255	0–100%
192	Bleu 64	000 ⇔ 255	0–100%
193	Rouge 65	000 ⇔ 255	0–100%
194	Vert 65	000 ⇔ 255	0–100%
195	Bleu 65	000 ⇔ 255	0–100%
196	Rouge 66	000 ⇔ 255	0–100%
197	Vert 66	000 ⇔ 255	0–100%
198	Bleu 66	000 ⇔ 255	0–100%
199	Rouge 67	000 ⇔ 255	0–100%
200	Vert 67	000 ⇔ 255	0–100%
201	Bleu 67	000 ⇔ 255	0–100%
202	Rouge 68	000 ⇔ 255	0–100%
203	Vert 68	000 ⇔ 255	0–100%
204	Bleu 68	000 ⇔ 255	0–100%
205	Rouge 69	000 ⇔ 255	0–100%
206	Vert 69	000 ⇔ 255	0–100%
207	Bleu 69	000 ⇔ 255	0–100%
208	Rouge 70	000 ⇔ 255	0–100%
209	Vert 70	000 ⇔ 255	0–100%
210	Bleu 70	000 ⇔ 255	0–100%
211	Rouge 71	000 ⇔ 255	0–100%
212	Vert 71	000 ⇔ 255	0–100%
213	Bleu 71	000 ⇔ 255	0–100%
214	Rouge 72	000 ⇔ 255	0–100%
215	Vert 72	000 ⇔ 255	0–100%
216	Bleu 72	000 ⇔ 255	0–100%
217	Rouge 73	000 ⇔ 255	0–100%
218	Vert 73	000 ⇔ 255	0–100%
219	Bleu 73	000 ⇔ 255	0–100%
220	Rouge 74	000 ⇔ 255	0–100%
221	Vert 74	000 ⇔ 255	0–100%
222	Bleu 74	000 ⇔ 255	0–100%
223	Rouge 75	000 ⇔ 255	0–100%
224	Vert 75	000 ⇔ 255	0–100%
225	Bleu 75	000 ⇔ 255	0–100%

Canal	Fonction	Valeur	Pourcentage/Paramétrage
226	Rouge 76	000 ⇔ 255	0-100%
227	Vert 76	000 ⇔ 255	0-100%
228	Bleu 76	000 ⇔ 255	0-100%
229	Rouge 77	000 ⇔ 255	0-100%
230	Vert 77	000 ⇔ 255	0-100%
231	Bleu 77	000 ⇔ 255	0-100%
232	Rouge 78	000 ⇔ 255	0-100%
233	Vert 78	000 ⇔ 255	0-100%
234	Bleu 78	000 ⇔ 255	0-100%
235	Rouge 79	000 ⇔ 255	0-100%
236	Vert 79	000 ⇔ 255	0-100%
237	Bleu 79	000 ⇔ 255	0-100%
238	Rouge 80	000 ⇔ 255	0-100%
239	Vert 80	000 ⇔ 255	0-100%
240	Bleu 80	000 ⇔ 255	0-100%
241	Rouge 81	000 ⇔ 255	0-100%
242	Vert 81	000 ⇔ 255	0-100%
243	Bleu 81	000 ⇔ 255	0-100%
244	Rouge 82	000 ⇔ 255	0-100%
245	Vert 82	000 ⇔ 255	0-100%
246	Bleu 82	000 ⇔ 255	0-100%
247	Rouge 83	000 ⇔ 255	0-100%
248	Vert 83	000 ⇔ 255	0-100%
249	Bleu 83	000 ⇔ 255	0-100%
250	Rouge 84	000 ⇔ 255	0-100%
251	Vert 84	000 ⇔ 255	0-100%
252	Bleu 84	000 ⇔ 255	0-100%
253	Rouge 85	000 ⇔ 255	0-100%
254	Vert 85	000 ⇔ 255	0-100%
255	Bleu 85	000 ⇔ 255	0-100%
256	Rouge 86	000 ⇔ 255	0-100%
257	Vert 86	000 ⇔ 255	0-100%
258	Bleu 86	000 ⇔ 255	0-100%
259	Rouge 87	000 ⇔ 255	0-100%
260	Vert 87	000 ⇔ 255	0-100%
261	Bleu 87	000 ⇔ 255	0-100%
262	Rouge 88	000 ⇔ 255	0-100%
263	Vert 88	000 ⇔ 255	0-100%
264	Bleu 88	000 ⇔ 255	0-100%
265	Rouge 89	000 ⇔ 255	0-100%
266	Vert 89	000 ⇔ 255	0-100%
267	Bleu 89	000 ⇔ 255	0-100%
268	Rouge 90	000 ⇔ 255	0-100%
269	Vert 90	000 ⇔ 255	0-100%
270	Bleu 90	000 ⇔ 255	0-100%
271	Rouge 91	000 ⇔ 255	0-100%
272	Vert 91	000 ⇔ 255	0-100%
273	Bleu 91	000 ⇔ 255	0-100%
274	Rouge 92	000 ⇔ 255	0-100%
275	Vert 92	000 ⇔ 255	0-100%
276	Bleu 92	000 ⇔ 255	0-100%
277	Rouge 93	000 ⇔ 255	0-100%
278	Vert 93	000 ⇔ 255	0-100%
279	Bleu 93	000 ⇔ 255	0-100%
280	Rouge 94	000 ⇔ 255	0-100%
281	Vert 94	000 ⇔ 255	0-100%
282	Bleu 94	000 ⇔ 255	0-100%

Canal	Fonction	Valeur	Pourcentage/Paramétrage
283	Rouge 95	000 ⇔ 255	0–100%
284	Vert 95	000 ⇔ 255	0–100%
285	Bleu 95	000 ⇔ 255	0–100%
286	Rouge 96	000 ⇔ 255	0–100%
287	Vert 96	000 ⇔ 255	0–100%
288	Bleu 96	000 ⇔ 255	0–100%
289	Rouge 97	000 ⇔ 255	0–100%
290	Vert 97	000 ⇔ 255	0–100%
291	Bleu 97	000 ⇔ 255	0–100%
292	Rouge 98	000 ⇔ 255	0–100%
293	Vert 98	000 ⇔ 255	0–100%
294	Bleu 98	000 ⇔ 255	0–100%
295	Rouge 99	000 ⇔ 255	0–100%
296	Vert 99	000 ⇔ 255	0–100%
297	Bleu 99	000 ⇔ 255	0–100%
298	Rouge 100	000 ⇔ 255	0–100%
299	Vert 100	000 ⇔ 255	0–100%
300	Bleu 100	000 ⇔ 255	0–100%

Mode “7-Channel”

Canal	Fonction	Valeur	Pourcentage/Paramétrage
1	Gradateur	000 ⇔ 255	0–100%
2	Rouge	000 ⇔ 255	0–100%
3	Vert	000 ⇔ 255	0–100%
4	Bleu	000 ⇔ 255	0–100%
5	Programme automatique	000 ⇔ 010	Pas de fonction
		011 ⇔ 027	Programme automatique 1
		028 ⇔ 043	Programme automatique 2
		044 ⇔ 059	Programme automatique 3
		060 ⇔ 076	Programme automatique 4
		077 ⇔ 092	Programme automatique 5
		093 ⇔ 108	Programme automatique 6
		109 ⇔ 124	Programme automatique 7
		125 ⇔ 141	Programme automatique 8
		142 ⇔ 157	Programme automatique 9
		158 ⇔ 173	Programme automatique 10
		174 ⇔ 189	Programme automatique 11
		190 ⇔ 206	Programme automatique 12
		207 ⇔ 222	Programme automatique 13
		223 ⇔ 238	Programme automatique 14
239 ⇔ 255	Toute les programmes (Programmes automatiques 1–14)		
6	Vitesse	000 ⇔ 255	0–100%
7	Stroboscope	000 ⇔ 010	Pas de fonction
		011 ⇔ 255	Stroboscope, lente à rapide

Mode "5-Section" (15 canaux par ÉPIX Strip IP)

Canal	Fonction	Valeur	Pourcentage/Paramétrage
1	Rouge 1-20	000 ⇔ 255	0-100%
2	Vert 1-20	000 ⇔ 255	0-100%
3	Bleu 1-20	000 ⇔ 255	0-100%
4	Rouge 21-40	000 ⇔ 255	0-100%
5	Vert 21-40	000 ⇔ 255	0-100%
6	Bleu 21-40	000 ⇔ 255	0-100%
7	Rouge 41-60	000 ⇔ 255	0-100%
8	Vert 41-60	000 ⇔ 255	0-100%
9	Bleu 41-60	000 ⇔ 255	0-100%
10	Rouge 61-80	000 ⇔ 255	0-100%
11	Vert 61-80	000 ⇔ 255	0-100%
12	Bleu 61-80	000 ⇔ 255	0-100%
13	Rouge 81-100	000 ⇔ 255	0-100%
14	Vert 81-100	000 ⇔ 255	0-100%
15	Bleu 81-100	000 ⇔ 255	0-100%

Mode "10-Section" (30 canaux par ÉPIX Strip IP)

Canal	Fonction	Valeur	Pourcentage/Paramétrage
1	Rouge 1-10	000 ⇔ 255	0-100%
2	Vert 1-10	000 ⇔ 255	0-100%
3	Bleu 1-10	000 ⇔ 255	0-100%
4	Rouge 11-20	000 ⇔ 255	0-100%
5	Vert 11-20	000 ⇔ 255	0-100%
6	Bleu 11-20	000 ⇔ 255	0-100%
7	Rouge 21-30	000 ⇔ 255	0-100%
8	Vert 21-30	000 ⇔ 255	0-100%
9	Bleu 21-30	000 ⇔ 255	0-100%
10	Rouge 31-40	000 ⇔ 255	0-100%
11	Vert 31-40	000 ⇔ 255	0-100%
12	Bleu 31-40	000 ⇔ 255	0-100%
13	Rouge 41-50	000 ⇔ 255	0-100%
14	Vert 41-50	000 ⇔ 255	0-100%
15	Bleu 41-50	000 ⇔ 255	0-100%
16	Rouge 51-60	000 ⇔ 255	0-100%
17	Vert 51-60	000 ⇔ 255	0-100%
18	Bleu 51-60	000 ⇔ 255	0-100%
19	Rouge 61-70	000 ⇔ 255	0-100%
20	Vert 61-70	000 ⇔ 255	0-100%
21	Bleu 61-70	000 ⇔ 255	0-100%
22	Rouge 71-80	000 ⇔ 255	0-100%
23	Vert 71-80	000 ⇔ 255	0-100%
24	Bleu 71-80	000 ⇔ 255	0-100%
25	Rouge 81-90	000 ⇔ 255	0-100%
26	Vert 81-90	000 ⇔ 255	0-100%
27	Bleu 81-90	000 ⇔ 255	0-100%
28	Rouge 91-100	000 ⇔ 255	0-100%
29	Vert 91-100	000 ⇔ 255	0-100%
30	Bleu 91-100	000 ⇔ 255	0-100%

Mode "25-Section" (75 canaux par ÉPIX Strip IP)

Canal	Fonction	Valeur	Pourcentage/Paramétrage
1	Rouge 1-4	000 ⇔ 255	0-100%
2	Vert 1-4	000 ⇔ 255	0-100%
3	Bleu 1-4	000 ⇔ 255	0-100%
4	Rouge 5-8	000 ⇔ 255	0-100%
5	Vert 5-8	000 ⇔ 255	0-100%
6	Bleu 5-8	000 ⇔ 255	0-100%
7	Rouge 9-12	000 ⇔ 255	0-100%
8	Vert 9-12	000 ⇔ 255	0-100%
9	Bleu 9-12	000 ⇔ 255	0-100%
10	Rouge 13-16	000 ⇔ 255	0-100%
11	Vert 13-16	000 ⇔ 255	0-100%
12	Bleu 13-16	000 ⇔ 255	0-100%
13	Rouge 17-20	000 ⇔ 255	0-100%
14	Vert 17-20	000 ⇔ 255	0-100%
15	Bleu 17-20	000 ⇔ 255	0-100%
16	Rouge 21-24	000 ⇔ 255	0-100%
17	Vert 21-24	000 ⇔ 255	0-100%
18	Bleu 21-24	000 ⇔ 255	0-100%
19	Rouge 25-28	000 ⇔ 255	0-100%
20	Vert 25-28	000 ⇔ 255	0-100%
21	Bleu 25-28	000 ⇔ 255	0-100%
22	Rouge 29-32	000 ⇔ 255	0-100%
23	Vert 29-32	000 ⇔ 255	0-100%
24	Bleu 29-32	000 ⇔ 255	0-100%
25	Rouge 33-36	000 ⇔ 255	0-100%
26	Vert 33-36	000 ⇔ 255	0-100%
27	Bleu 33-36	000 ⇔ 255	0-100%
28	Rouge 37-40	000 ⇔ 255	0-100%
29	Vert 37-40	000 ⇔ 255	0-100%
30	Bleu 37-40	000 ⇔ 255	0-100%
31	Rouge 41-44	000 ⇔ 255	0-100%
32	Vert 41-44	000 ⇔ 255	0-100%
33	Bleu 41-44	000 ⇔ 255	0-100%
34	Rouge 45-48	000 ⇔ 255	0-100%
35	Vert 45-48	000 ⇔ 255	0-100%
36	Bleu 45-48	000 ⇔ 255	0-100%
37	Rouge 49-52	000 ⇔ 255	0-100%
38	Vert 49-52	000 ⇔ 255	0-100%
39	Bleu 49-52	000 ⇔ 255	0-100%
40	Rouge 53-56	000 ⇔ 255	0-100%
41	Vert 53-56	000 ⇔ 255	0-100%
42	Bleu 53-56	000 ⇔ 255	0-100%
43	Rouge 57-60	000 ⇔ 255	0-100%
44	Vert 57-60	000 ⇔ 255	0-100%
45	Bleu 57-60	000 ⇔ 255	0-100%
46	Rouge 61-64	000 ⇔ 255	0-100%
47	Vert 61-64	000 ⇔ 255	0-100%
48	Bleu 61-64	000 ⇔ 255	0-100%
49	Rouge 65-68	000 ⇔ 255	0-100%
50	Vert 65-68	000 ⇔ 255	0-100%
51	Bleu 65-68	000 ⇔ 255	0-100%
52	Rouge 69-72	000 ⇔ 255	0-100%
53	Vert 69-72	000 ⇔ 255	0-100%
54	Bleu 69-72	000 ⇔ 255	0-100%

Canal	Fonction	Valeur	Pourcentage/Paramétrage
55	Rouge 73–76	000 ⇔ 255	0–100%
56	Vert 73–76	000 ⇔ 255	0–100%
57	Bleu 73–76	000 ⇔ 255	0–100%
58	Rouge 77–80	000 ⇔ 255	0–100%
59	Vert 77–80	000 ⇔ 255	0–100%
60	Bleu 77–80	000 ⇔ 255	0–100%
61	Rouge 81–84	000 ⇔ 255	0–100%
62	Vert 81–84	000 ⇔ 255	0–100%
63	Bleu 81–84	000 ⇔ 255	0–100%
64	Rouge 85–88	000 ⇔ 255	0–100%
65	Vert 85–88	000 ⇔ 255	0–100%
66	Bleu 85–88	000 ⇔ 255	0–100%
67	Rouge 89–92	000 ⇔ 255	0–100%
68	Vert 89–92	000 ⇔ 255	0–100%
69	Bleu 89–92	000 ⇔ 255	0–100%
70	Rouge 93–96	000 ⇔ 255	0–100%
71	Vert 93–96	000 ⇔ 255	0–100%
72	Bleu 93–96	000 ⇔ 255	0–100%
73	Rouge 97–100	000 ⇔ 255	0–100%
74	Vert 97–100	000 ⇔ 255	0–100%
75	Bleu 97–100	000 ⇔ 255	0–100%

Mode “50-Section” (150 canaux par ÉPIX Strip IP)

Channel	Function	Value	Percent/Setting
1	Rouge 1–2	000 ⇔ 255	0–100%
2	Vert 1–2	000 ⇔ 255	0–100%
3	Bleu 1–2	000 ⇔ 255	0–100%
4	Rouge 3–4	000 ⇔ 255	0–100%
5	Vert 3–4	000 ⇔ 255	0–100%
6	Bleu 3–4	000 ⇔ 255	0–100%
7	Rouge 5–6	000 ⇔ 255	0–100%
8	Vert 5–6	000 ⇔ 255	0–100%
9	Bleu 5–6	000 ⇔ 255	0–100%
10	Rouge 7–8	000 ⇔ 255	0–100%
11	Vert 7–8	000 ⇔ 255	0–100%
12	Bleu 7–8	000 ⇔ 255	0–100%
13	Rouge 9–10	000 ⇔ 255	0–100%
14	Vert 9–10	000 ⇔ 255	0–100%
15	Bleu 9–10	000 ⇔ 255	0–100%
16	Rouge 11–12	000 ⇔ 255	0–100%
17	Vert 11–12	000 ⇔ 255	0–100%
18	Bleu 11–12	000 ⇔ 255	0–100%
19	Rouge 13–14	000 ⇔ 255	0–100%
20	Vert 13–14	000 ⇔ 255	0–100%
21	Bleu 13–14	000 ⇔ 255	0–100%
22	Rouge 15–16	000 ⇔ 255	0–100%
23	Vert 15–16	000 ⇔ 255	0–100%
24	Bleu 15–16	000 ⇔ 255	0–100%
25	Rouge 17–18	000 ⇔ 255	0–100%
26	Vert 17–18	000 ⇔ 255	0–100%
27	Bleu 17–18	000 ⇔ 255	0–100%
28	Rouge 19–20	000 ⇔ 255	0–100%
29	Vert 19–20	000 ⇔ 255	0–100%
30	Bleu 19–20	000 ⇔ 255	0–100%

Channel	Function	Value	Percent/Setting
31	Rouge 21–22	000 ⇄ 255	0–100%
32	Vert 21–22	000 ⇄ 255	0–100%
33	Bleu 21–22	000 ⇄ 255	0–100%
34	Rouge 23–24	000 ⇄ 255	0–100%
35	Vert 23–24	000 ⇄ 255	0–100%
36	Bleu 23–24	000 ⇄ 255	0–100%
37	Rouge 25–26	000 ⇄ 255	0–100%
38	Vert 25–26	000 ⇄ 255	0–100%
39	Bleu 25–26	000 ⇄ 255	0–100%
40	Rouge 27–28	000 ⇄ 255	0–100%
41	Vert 27–28	000 ⇄ 255	0–100%
42	Bleu 27–28	000 ⇄ 255	0–100%
43	Rouge 29–30	000 ⇄ 255	0–100%
44	Vert 29–30	000 ⇄ 255	0–100%
45	Bleu 29–30	000 ⇄ 255	0–100%
46	Rouge 31–32	000 ⇄ 255	0–100%
47	Vert 31–32	000 ⇄ 255	0–100%
48	Bleu 31–32	000 ⇄ 255	0–100%
49	Rouge 33–34	000 ⇄ 255	0–100%
50	Vert 33–34	000 ⇄ 255	0–100%
51	Bleu 33–34	000 ⇄ 255	0–100%
52	Rouge 35–36	000 ⇄ 255	0–100%
53	Vert 35–36	000 ⇄ 255	0–100%
54	Bleu 35–36	000 ⇄ 255	0–100%
55	Rouge 37–38	000 ⇄ 255	0–100%
56	Vert 37–38	000 ⇄ 255	0–100%
57	Bleu 37–38	000 ⇄ 255	0–100%
58	Rouge 39–40	000 ⇄ 255	0–100%
59	Vert 39–40	000 ⇄ 255	0–100%
60	Bleu 39–40	000 ⇄ 255	0–100%
61	Rouge 41–42	000 ⇄ 255	0–100%
62	Vert 41–42	000 ⇄ 255	0–100%
63	Bleu 41–42	000 ⇄ 255	0–100%
64	Rouge 43–44	000 ⇄ 255	0–100%
65	Vert 43–44	000 ⇄ 255	0–100%
66	Bleu 43–44	000 ⇄ 255	0–100%
67	Rouge 45–46	000 ⇄ 255	0–100%
68	Vert 45–46	000 ⇄ 255	0–100%
69	Bleu 45–46	000 ⇄ 255	0–100%
70	Rouge 47–48	000 ⇄ 255	0–100%
71	Vert 47–48	000 ⇄ 255	0–100%
72	Bleu 47–48	000 ⇄ 255	0–100%
73	Rouge 49–50	000 ⇄ 255	0–100%
74	Vert 49–50	000 ⇄ 255	0–100%
75	Bleu 49–50	000 ⇄ 255	0–100%
76	Rouge 51–52	000 ⇄ 255	0–100%
77	Vert 51–52	000 ⇄ 255	0–100%
78	Bleu 51–52	000 ⇄ 255	0–100%
79	Rouge 53–54	000 ⇄ 255	0–100%
80	Vert 53–54	000 ⇄ 255	0–100%
81	Bleu 53–54	000 ⇄ 255	0–100%
82	Rouge 55–56	000 ⇄ 255	0–100%
83	Vert 55–56	000 ⇄ 255	0–100%
84	Bleu 55–56	000 ⇄ 255	0–100%

Channel	Function	Value	Percent/Setting
85	Rouge 57–58	000 ⇄ 255	0–100%
86	Vert 57–58	000 ⇄ 255	0–100%
87	Bleu 57–58	000 ⇄ 255	0–100%
88	Rouge 59–60	000 ⇄ 255	0–100%
89	Vert 59–60	000 ⇄ 255	0–100%
90	Bleu 59–60	000 ⇄ 255	0–100%
91	Rouge 61–62	000 ⇄ 255	0–100%
92	Vert 61–62	000 ⇄ 255	0–100%
93	Bleu 61–62	000 ⇄ 255	0–100%
94	Rouge 63–64	000 ⇄ 255	0–100%
95	Vert 63–64	000 ⇄ 255	0–100%
96	Bleu 63–64	000 ⇄ 255	0–100%
97	Rouge 65–66	000 ⇄ 255	0–100%
98	Vert 65–66	000 ⇄ 255	0–100%
99	Bleu 65–66	000 ⇄ 255	0–100%
100	Rouge 67–68	000 ⇄ 255	0–100%
101	Vert 67–68	000 ⇄ 255	0–100%
102	Bleu 67–68	000 ⇄ 255	0–100%
103	Rouge 69–70	000 ⇄ 255	0–100%
104	Vert 69–70	000 ⇄ 255	0–100%
105	Bleu 69–70	000 ⇄ 255	0–100%
106	Rouge 71–72	000 ⇄ 255	0–100%
107	Vert 71–72	000 ⇄ 255	0–100%
108	Bleu 71–72	000 ⇄ 255	0–100%
109	Rouge 73–74	000 ⇄ 255	0–100%
110	Vert 73–74	000 ⇄ 255	0–100%
111	Bleu 73–74	000 ⇄ 255	0–100%
112	Rouge 75–76	000 ⇄ 255	0–100%
113	Vert 75–76	000 ⇄ 255	0–100%
114	Bleu 75–76	000 ⇄ 255	0–100%
115	Rouge 77–78	000 ⇄ 255	0–100%
116	Vert 77–78	000 ⇄ 255	0–100%
117	Bleu 77–78	000 ⇄ 255	0–100%
118	Rouge 79–80	000 ⇄ 255	0–100%
119	Vert 79–80	000 ⇄ 255	0–100%
120	Bleu 79–80	000 ⇄ 255	0–100%
121	Rouge 81–82	000 ⇄ 255	0–100%
122	Vert 81–82	000 ⇄ 255	0–100%
123	Bleu 81–82	000 ⇄ 255	0–100%
124	Rouge 83–84	000 ⇄ 255	0–100%
125	Vert 83–84	000 ⇄ 255	0–100%
126	Bleu 83–84	000 ⇄ 255	0–100%
127	Rouge 85–86	000 ⇄ 255	0–100%
128	Vert 85–86	000 ⇄ 255	0–100%
129	Bleu 85–86	000 ⇄ 255	0–100%
130	Rouge 87–88	000 ⇄ 255	0–100%
131	Vert 87–88	000 ⇄ 255	0–100%
132	Bleu 87–88	000 ⇄ 255	0–100%
133	Rouge 89–90	000 ⇄ 255	0–100%
134	Vert 89–90	000 ⇄ 255	0–100%
135	Bleu 89–90	000 ⇄ 255	0–100%
136	Rouge 91–92	000 ⇄ 255	0–100%
137	Vert 91–92	000 ⇄ 255	0–100%
138	Bleu 91–92	000 ⇄ 255	0–100%

Channel	Function	Value	Percent/Setting
139	Rouge 93–94	000 ⇔ 255	0–100%
140	Vert 93–94	000 ⇔ 255	0–100%
141	Bleu 93–94	000 ⇔ 255	0–100%
142	Rouge 95–96	000 ⇔ 255	0–100%
143	Vert 95–96	000 ⇔ 255	0–100%
144	Bleu 95–96	000 ⇔ 255	0–100%
145	Rouge 97–98	000 ⇔ 255	0–100%
146	Vert 97–98	000 ⇔ 255	0–100%
147	Bleu 97–98	000 ⇔ 255	0–100%
148	Rouge 99–100	000 ⇔ 255	0–100%
149	Vert 99–100	000 ⇔ 255	0–100%
150	Bleu 99–100	000 ⇔ 255	0–100%

Over deze handleiding

De ÉPIX Drive 2000 IP Beknopte Handleiding (BH) bevat basisinformatie over het product, zoals aansluiting, montage, menu-opties en regelwaarden. Download de gebruikershandleiding op www.chauvetprofessional.com voor meer informatie.

Disclaimer

De informatie en specificaties in deze BH kunnen zonder voorafgaande kennisgeving worden gewijzigd.

Veiligheidsinstructies

Deze veiligheidsinstructies bevatten belangrijke informatie over de installatie, het gebruik en het onderhoud.

- Open het product NIET. Het bevat geen onderdelen die door de gebruiker onderhouden kunnen worden.
- Om onnodige slijtage te elimineren en zijn levensduur te verlengen, gedurende perioden wanneer het product niet wordt gebruikt, moet u het product van de stroom afsluiten door een aardlekschakelaar om te zetten of door het te ontkoppelen.
- LET OP: Bij het verplaatsen van het product uit extreme omgevingen, (bijv. koude vrachtwagen naar warme, vochtige balzaal) kan er condensvorming optreden op de elektronica van het product. Om storingen te vermijden moet het product volledig kunnen acclimatiseren aan de omgeving voordat het op stroom wordt aangesloten.
- LET OP: De behuizing van dit product kan heet zijn wanneer het in bedrijf is.
- Monteer dit product op een plek met voldoende ventilatie, ten minste 50 cm van de aangrenzende oppervlakken.
- Plaats GEEN ontvlambaar materiaal binnen 50 cm van dit product als het in gebruik is of is aangesloten op het stopcontact.
- GEBRUIK een veiligheidskabel bij het boven het hoofd plaatsen van dit product.
- Dit product NIET onderdompelen (IP65). Tijdelijk gebruik buitenshuis is prima.
- Wanneer dit product buiten wordt gebruikt moeten stroom- en gegevenskabels met een IP65-certificering (of hoger) worden gebruikt. Zorg ervoor dat ongebruikte stroom- en gegevenspoorten worden afgesloten met de aangehechte IP65-afdekkingen.
- Gebruik dit product NIET als de behuizing, poorten of kabels beschadigd lijken.
- Sluit dit product NIET aan op een dimmer of een regelweerstand.
- Sluit dit product UITSLUITEND op een geaard en beveiligd stroomcircuit.
- Stop in het geval van ernstige operationele problemen onmiddellijk met het gebruik.
- De maximale omgevingstemperatuur bedraagt 45 °C. Gebruik dit product niet bij hogere temperaturen.

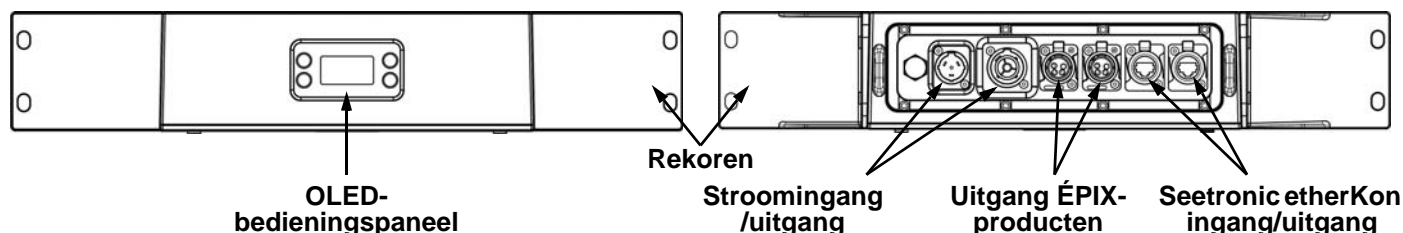
Contact

Van buiten de VS, Verenigd Koninkrijk, Ierland, Mexico of België kunt u contact opnemen met de distributeur of om ondersteuning vragen dan wel het product retourneren. Ga naar www.chauvetprofessional.com voor contactinformatie.

Wat is inbegrepen

- ÉPIX Drive 2000 IP
- Seetronic Powerkon IP65 stroomsnoer
- Omegabeugel met bevestigingsapparatuur
- 2 rekoren en schroeven
- Garantiekaart
- Beknopte handleiding

Productoverzicht



AC-stroom

Dit product heeft een voeding met automatisch bereik die werkt met een ingangsspanning van 100–240 VAC, 50/60 Hz.

Power Linking

U kunt tot 3 ÉPIX Drive 2000 IP-producten koppelen bij 120 V, 4 producten bij 208 V of 5 producten bij 230 V. Dit aantal niet overschrijden. Power Linking-snoeren kunnen apart aangeschaft worden.

AC-stekker

Aansluiting	Snoer (VS)	Snoer (Europa)	Schroefkleur
AC Live	Zwart	Bruin	Geel/messing
AC Neutraal	Wit	Blauw	Zilver
AC Aarde	Groen/geel	Groen/geel	Groen



Om onnodige slijtage te elimineren en zijn levensduur te verlengen, gedurende perioden wanneer het product niet wordt gebruikt, moet u het product van de stroom afsluiten door een aardlekschakelaar om te zetten of door het te ontkoppelen.

Signaalverbindingen

De ÉPIX Drive 2000 IP is met een controller te koppelen of met controllersoftware met behulp van een ethernetverbinding. Als andere Art-Net™, sACN of Kling-Net-compatibele producten worden gebruikt met de ÉPIX Drive 2000 IP, kunnen ze allemaal individueel worden aangestuurd op een enkel netwerk. Zie de gebruikershandleiding voor meer informatie over het verbinden en configureren van het product voor deze signalen.

Aansturingspersoonlijkheden

De ÉPIX Drive 2000 IP gebruikt Art-Net™ en sACN voor zijn aanstuurpersoonlijkheden:

Persoonlijkheid	Kanalen	Beschrijving
Pixel	300 per ÉPIX Strip IP	Volledige pixelregeling
7-Channel	7	Dimmer, automatische programma's en stroboscoop
5-Section	15 per ÉPIX Strip IP	Controleert LED-uitvoer in 5 groepen van 20 LED's
10-Section	30 per ÉPIX Strip IP	Controleert LED-uitvoer in 10 groepen van 10 LED's
25-Section	75 per ÉPIX Strip IP	Controleert LED-uitvoer in 25 groepen van 4 LED's
50-Section	150 per ÉPIX Strip IP	Controleert LED-uitvoer in 50 groepen van 2 LED's

Art-Net™-aansluiting

Art-Net™ is een ethernet-protocol dat gebruikmaakt van TCP/IP dat over een groot netwerk grote hoeveelheden DMX512-gegevens verzendt met behulp van een etherCON RJ45-verbinding. Een Art-Net™-protocoldocument is te verkrijgen op www.chauvetprofessional.com. Chauvet Professional raadt het gebruik van unicast-modus voor het beste resultaat.

Art-Net™ ontworpen en auteursrecht door Artistic Licence Holdings Ltd.



Dit product is niet ontworpen om te reageren op regelaar die verzenden in Broadcast-modus via Art-Net™. Gebruik Unicast-modus voor de beste resultaten. Voor informatie over welk regelprotocol uw regelaar gebruikt kunt u contact opnemen met de fabrikant van uw controller.

sACN-aansluiting

Streaming-ACN staat ook wel bekend als ANSI E1.31 en is een ethernetprotocol dat de laag- en opmaakstructuur gebruikt van Architecture for Control Networks om DMX512-gegevens te transporteren over IP of een ander ACN compatibel netwerk. ACN wordt onderhouden door de Professional Lighting and Sound Association (PLASA).

Kling-Net-aansluiting

Kling-Net is een netwerkprotocol dat de automatische configuratie van displayapparaten met een etherCON RJ45 Ethernet-verbinding mogelijk maakt. Raadpleeg de ArKaos softwarehandleiding voor uitgebreide instructies over het programmeren van dit product.



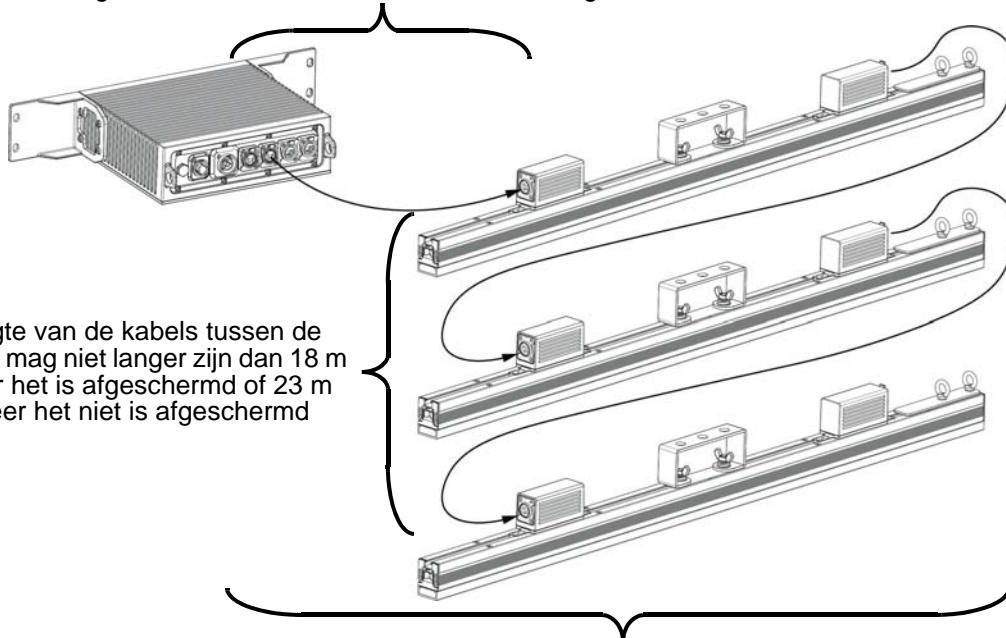
Voor een goede werking heeft de ArKaos Kling-Net een gigabit (1000 Mbps) Ethernet-kaart en een netwerkrouter nodig.

Verbinden van ÉPIX-producten

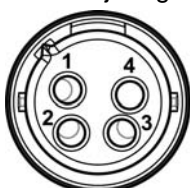
De ÉPIX Drive 2000 IP is de voeding voor de ÉPIX IP en ÉPIX Tour-serie producten. Elk product moet in serie zijn verbonden. Deze voeding kan tot 200 LED-lampen in verschillende configuraties voeden.

De lengte van de kabels tussen de ÉPIX Drive 2000 IP en het 1e product mag niet langer zijn dan 20 m wanneer het is afgeschermd of 60 m wanneer het niet is afgeschermd

De lengte van de kabels tussen de producten mag niet langer zijn dan 18 m wanneer het is afgeschermd of 23 m wanneer het niet is afgeschermd



De totale lengte van de kabels mag niet langer zijn dan 64 m wanneer ze zijn afgeschermd of 91 m wanneer ze niet zijn afgeschermd



- 1 = Vermogen + (12 AWG of groter)
- 2 = Gegevens + (18–24 AWG)
- 3 = Gegevens - (18–24 AWG)
- 4 = Vermogens - (12 AWG of groter)

De ÉPIX Drive 2000 IP kan verschillende ÉPIX-producten ondersteunen die in serie zijn verbonden in de verschillende configuraties tot een totaal van 2000 LED-lampen (tot 1000 LED's per poort).

Voorbeeldconfiguraties voor elke poort omvatten:

- 10 ÉPIX Strip IP-producten
- 18 ÉPIX Strip Tour-producten
- 6 ÉPIX Bar Tour-producten
- 5 ÉPIX Strip IP-producten en 9 ÉPIX Strip Tour-producten
- 5 ÉPIX Strip IP-producten en 3 ÉPIX Bar Tour-producten
- 5 ÉPIX Strip IP-producten, 3 ÉPIX Strip Tour-producten en 2 ÉPIX Bar Tour-producten

Zorg ervoor dat de totale lengte van de verbonden afgeschermd 4-pins XLR-kabels niet langer is dan 64 m. Het gebruik van onafgeschermd kabel vergroot de maximum kabellengtes naar 91 m, zoals is afgebeeld in het bovenstaande diagram. Download de gebruikershandleiding van www.chauvetprofessional.com voor meer informatie.

LET OP; Sluit de ÉPIX Strip IP niet met de ÉPIX Strip Tour of ÉPIX Bar Tour op dezelfde uitgang van de ÉPIX Drive 2000 IP als er een andere persoonlijkheid dan Pixel is geselecteerd.



Standaard 4-pins XLR “scroller-kabels” zijn meestal afgeschermd.

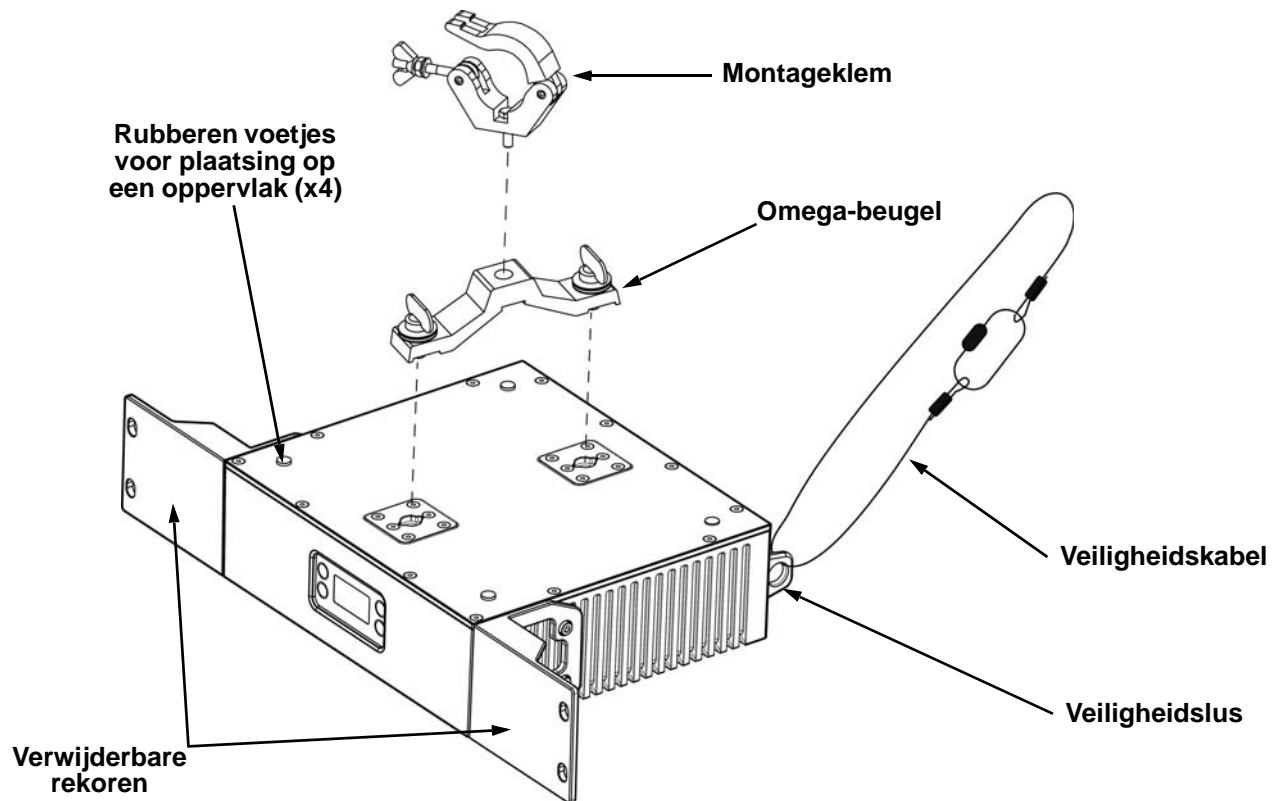


Gebruik **UITSLUITEND** IP65 4-pins XLR-kabels met de ÉPIX Drive 2000 IP. Ga voor onze CHAUVET Professional-lijn van IP65 4-pins XLR-kabels naar <https://www.chauvetprofessional.com/accessories>.

Montage

Lees alvorens dit product te monteren alle [Veiligheidsinstructies](#). Gebruik ten minste één montagepunt per product. Controleer of de montageklemmen het gewicht van het product kunnen dragen. Ga voor onze CHAUVET Professional-serie montageklemmen naar <http://trusst.com/products>. De rekmontage-oren worden niet-aangesloten op het product verstuurd.

Montagediagram



Montagerichtlijnen

Chauvet beveelt de volgende richtlijnen aan bij het monteren van dit product:

- Vóór het nemen van een besluit over de locatie, moet u er altijd voor zorgen dat er eenvoudige toegang is tot het product, voor onderhoud en programmering.
- Controleer of de constructie of het oppervlak waar u het product op monteert het gewicht van het product kan dragen (zie de gebruikershandleiding).
- Gebruik altijd een veiligheidskabel wanneer het product boven lichaamshoogte wordt gemonteerd. Monteer het product stevig aan een bevestigingspunt, zoals een verhoogd platform of een spant.
- Gebruik bij het opbouwen van het product op een spant een montageklem met voldoende draagvermogen.
- Wanneer het product op de vloer wordt gemonteerd moet u er voor zorgen dat het product en de kabels uit de buurt van mensen en voertuigen liggen.

Beschrijving bedieningspaneel

Toets	Functie
<MENU>	Sluit het huidige menu of de functie af en navigeert omlaag naar de hoofdmenulijst
<ENTER>	Activeert het huidige getoonde menu of plaatst de huidige geselecteerde waarde in de geselecteerde functie
<UP>	Navigeert omhoog via het menu of verhoogt de numerieke waarde wanneer in een functie
<DOWN>	Navigeert omlaag via het menu of verlaagt de numerieke waarde wanneer in een functie

Menukaart

Hoofdniveau	Programmeerniveaus		Beschrijving
Auto Address	No		Vindt en adresseert de producten automatisch
	Yes		
View Linked Fixtures	Port A	1. _ _ _ _ – 18. _ _ _ _	Toont de aangesloten producten
	Port B		
LED Output	Off		Schakelt de LED-uitgang uit
	Red		Rode LED's op maximaal vermogen
	Green		Groene LED's op maximaal vermogen
	Blue		Blauwe LED's op maximaal vermogen
	White		Alle LED's op maximaal vermogen
	Fade		Kleurenfade-programma
	Scroll		Kleurenscroll-programma
Protocol	Port A	Art-Net	Selecteert voor elke poort het protocol en bepaalt welke andere menuopties beschikbaar zijn
		Kling-Net	
		sACN	
	Port B	Art-Net	
		Kling-Net	
		sACN	
Display Inverse	No		Roteert de weergave 180°
	Yes		
Factory Reset	No		Herstelt het product naar de fabrieksinstellingen
	Yes		
Port A (Alleen Art-Net™ en sACN)	Personality	Pixel	Stelt de aansturingpersoonlijkheid in voor Poort A (zie Aansturingpersoonlijkheden)
		7-Channel	
		5-Section	
		10-Section	
		25-Section	
	50-Section		
	Universe	000–246 (Art-Net™) 001–247 (sACN)	
IP Address	IP Address #1–6	1–126 . 0–255 . 0–255 . 0–255	Stelt de IP-adressen in voor poort A NB: alle adressen moeten uniek zijn
DMX Address	001–_ _ _ _		Stelt het startadres in voor Poort A (hoogste kanaal bepaald door persoonlijkheid)
Port B (Alleen Art-Net™ en sACN)	Personality	Pixel	Stelt de aansturingpersoonlijkheid in voor Poort B (zie Aansturingpersoonlijkheden)
		7-Channel	
		5-Section	
		10-Section	
		25-Section	
	50-Section		
	Universe	000–246 (Art-Net™) 001–247 (sACN)	
IP Address	IP Address #1–6	1–126 . 0–255 . 0–255 . 0–255	Stelt de IP-adressen in voor poort B NB: alle adressen moeten uniek zijn
DMX Address	001–_ _ _ _		Stelt het startadres in voor Poort B (hoogste kanaal bepaald door persoonlijkheid)
Screen Lock	No		Vergrendelt het scherm
	Yes		Toegangscode: UP, DOWN, UP, DOWN, ENTER

NL

Regelwaarden

“Pixel” Modus (300 kanalen per ÉPIX Strip IP)

Kanaal	Functie	Waarde	Percentage/Instelling
1	Rood 1	000 ⇔ 255	0–100%
2	Groen 1	000 ⇔ 255	0–100%
3	Blauw 1	000 ⇔ 255	0–100%
4	Rood 2	000 ⇔ 255	0–100%
5	Groen 2	000 ⇔ 255	0–100%
6	Blauw 2	000 ⇔ 255	0–100%
7	Rood 3	000 ⇔ 255	0–100%
8	Groen 3	000 ⇔ 255	0–100%
9	Blauw 3	000 ⇔ 255	0–100%
10	Rood 4	000 ⇔ 255	0–100%
11	Groen 4	000 ⇔ 255	0–100%
12	Blauw 4	000 ⇔ 255	0–100%
13	Rood 5	000 ⇔ 255	0–100%
14	Groen 5	000 ⇔ 255	0–100%
15	Blauw 5	000 ⇔ 255	0–100%
16	Rood 6	000 ⇔ 255	0–100%
17	Groen 6	000 ⇔ 255	0–100%
18	Blauw 6	000 ⇔ 255	0–100%
19	Rood 7	000 ⇔ 255	0–100%
20	Groen 7	000 ⇔ 255	0–100%
21	Blauw 7	000 ⇔ 255	0–100%
22	Rood 8	000 ⇔ 255	0–100%
23	Groen 8	000 ⇔ 255	0–100%
24	Blauw 8	000 ⇔ 255	0–100%
25	Rood 9	000 ⇔ 255	0–100%
26	Groen 9	000 ⇔ 255	0–100%
27	Blauw 9	000 ⇔ 255	0–100%
28	Rood 10	000 ⇔ 255	0–100%
29	Groen 10	000 ⇔ 255	0–100%
30	Blauw 10	000 ⇔ 255	0–100%
31	Rood 11	000 ⇔ 255	0–100%
32	Groen 11	000 ⇔ 255	0–100%
33	Blauw 11	000 ⇔ 255	0–100%
34	Rood 12	000 ⇔ 255	0–100%
35	Groen 12	000 ⇔ 255	0–100%
36	Blauw 12	000 ⇔ 255	0–100%
37	Rood 13	000 ⇔ 255	0–100%
38	Groen 13	000 ⇔ 255	0–100%
39	Blauw 13	000 ⇔ 255	0–100%
40	Rood 14	000 ⇔ 255	0–100%
41	Groen 14	000 ⇔ 255	0–100%
42	Blauw 14	000 ⇔ 255	0–100%
43	Rood 15	000 ⇔ 255	0–100%
44	Groen 15	000 ⇔ 255	0–100%
45	Blauw 15	000 ⇔ 255	0–100%
46	Rood 16	000 ⇔ 255	0–100%
47	Groen 16	000 ⇔ 255	0–100%
48	Blauw 16	000 ⇔ 255	0–100%
49	Rood 17	000 ⇔ 255	0–100%
50	Groen 17	000 ⇔ 255	0–100%
51	Blauw 17	000 ⇔ 255	0–100%
52	Rood 18	000 ⇔ 255	0–100%
53	Groen 18	000 ⇔ 255	0–100%
54	Blauw 18	000 ⇔ 255	0–100%

Kanaal	Functie	Waarde	Percentage/Instelling
55	Rood 19	000 ⇄ 255	0-100%
56	Groen 19	000 ⇄ 255	0-100%
57	Blauw 19	000 ⇄ 255	0-100%
58	Rood 20	000 ⇄ 255	0-100%
59	Groen 20	000 ⇄ 255	0-100%
60	Blauw 20	000 ⇄ 255	0-100%
61	Rood 21	000 ⇄ 255	0-100%
62	Groen 21	000 ⇄ 255	0-100%
63	Blauw 21	000 ⇄ 255	0-100%
64	Rood 22	000 ⇄ 255	0-100%
65	Groen 22	000 ⇄ 255	0-100%
66	Blauw 22	000 ⇄ 255	0-100%
67	Rood 23	000 ⇄ 255	0-100%
68	Groen 23	000 ⇄ 255	0-100%
69	Blauw 23	000 ⇄ 255	0-100%
70	Rood 24	000 ⇄ 255	0-100%
71	Groen 24	000 ⇄ 255	0-100%
72	Blauw 24	000 ⇄ 255	0-100%
73	Rood 25	000 ⇄ 255	0-100%
74	Groen 25	000 ⇄ 255	0-100%
75	Blauw 25	000 ⇄ 255	0-100%
76	Rood 26	000 ⇄ 255	0-100%
77	Groen 26	000 ⇄ 255	0-100%
78	Blauw 26	000 ⇄ 255	0-100%
79	Rood 27	000 ⇄ 255	0-100%
80	Groen 27	000 ⇄ 255	0-100%
81	Blauw 27	000 ⇄ 255	0-100%
82	Rood 28	000 ⇄ 255	0-100%
83	Groen 28	000 ⇄ 255	0-100%
84	Blauw 28	000 ⇄ 255	0-100%
85	Rood 29	000 ⇄ 255	0-100%
86	Groen 29	000 ⇄ 255	0-100%
87	Blauw 29	000 ⇄ 255	0-100%
88	Rood 30	000 ⇄ 255	0-100%
89	Groen 30	000 ⇄ 255	0-100%
90	Blauw 30	000 ⇄ 255	0-100%
91	Rood 31	000 ⇄ 255	0-100%
92	Groen 31	000 ⇄ 255	0-100%
93	Blauw 31	000 ⇄ 255	0-100%
94	Rood 32	000 ⇄ 255	0-100%
95	Groen 32	000 ⇄ 255	0-100%
96	Blauw 32	000 ⇄ 255	0-100%
97	Rood 33	000 ⇄ 255	0-100%
98	Groen 33	000 ⇄ 255	0-100%
99	Blauw 33	000 ⇄ 255	0-100%
100	Rood 34	000 ⇄ 255	0-100%
101	Groen 34	000 ⇄ 255	0-100%
102	Blauw 34	000 ⇄ 255	0-100%
103	Rood 35	000 ⇄ 255	0-100%
104	Groen 35	000 ⇄ 255	0-100%
105	Blauw 35	000 ⇄ 255	0-100%
106	Rood 36	000 ⇄ 255	0-100%
107	Groen 36	000 ⇄ 255	0-100%
108	Blauw 36	000 ⇄ 255	0-100%
109	Rood 37	000 ⇄ 255	0-100%
110	Groen 37	000 ⇄ 255	0-100%
111	Blauw 37	000 ⇄ 255	0-100%

Kanaal	Functie	Waarde	Percentage/Instelling
112	Rood 38	000 ⇄ 255	0–100%
113	Groen 38	000 ⇄ 255	0–100%
114	Blauw 38	000 ⇄ 255	0–100%
115	Rood 39	000 ⇄ 255	0–100%
116	Groen 39	000 ⇄ 255	0–100%
117	Blauw 39	000 ⇄ 255	0–100%
118	Rood 40	000 ⇄ 255	0–100%
119	Groen 40	000 ⇄ 255	0–100%
120	Blauw 40	000 ⇄ 255	0–100%
121	Rood 41	000 ⇄ 255	0–100%
122	Groen 41	000 ⇄ 255	0–100%
123	Blauw 41	000 ⇄ 255	0–100%
124	Rood 42	000 ⇄ 255	0–100%
125	Groen 42	000 ⇄ 255	0–100%
126	Blauw 42	000 ⇄ 255	0–100%
127	Rood 43	000 ⇄ 255	0–100%
128	Groen 43	000 ⇄ 255	0–100%
129	Blauw 43	000 ⇄ 255	0–100%
130	Rood 44	000 ⇄ 255	0–100%
131	Groen 44	000 ⇄ 255	0–100%
132	Blauw 44	000 ⇄ 255	0–100%
133	Rood 45	000 ⇄ 255	0–100%
134	Groen 45	000 ⇄ 255	0–100%
135	Blauw 45	000 ⇄ 255	0–100%
136	Rood 46	000 ⇄ 255	0–100%
137	Groen 46	000 ⇄ 255	0–100%
138	Blauw 46	000 ⇄ 255	0–100%
139	Rood 47	000 ⇄ 255	0–100%
140	Groen 47	000 ⇄ 255	0–100%
141	Blauw 47	000 ⇄ 255	0–100%
142	Rood 48	000 ⇄ 255	0–100%
143	Groen 48	000 ⇄ 255	0–100%
144	Blauw 48	000 ⇄ 255	0–100%
145	Rood 49	000 ⇄ 255	0–100%
146	Groen 49	000 ⇄ 255	0–100%
147	Blauw 49	000 ⇄ 255	0–100%
148	Rood 50	000 ⇄ 255	0–100%
149	Groen 50	000 ⇄ 255	0–100%
150	Blauw 50	000 ⇄ 255	0–100%
151	Rood 51	000 ⇄ 255	0–100%
152	Groen 51	000 ⇄ 255	0–100%
153	Blauw 51	000 ⇄ 255	0–100%
154	Rood 52	000 ⇄ 255	0–100%
155	Groen 52	000 ⇄ 255	0–100%
156	Blauw 52	000 ⇄ 255	0–100%
157	Rood 53	000 ⇄ 255	0–100%
158	Groen 53	000 ⇄ 255	0–100%
159	Blauw 53	000 ⇄ 255	0–100%
160	Rood 54	000 ⇄ 255	0–100%
161	Groen 54	000 ⇄ 255	0–100%
162	Blauw 54	000 ⇄ 255	0–100%
163	Rood 55	000 ⇄ 255	0–100%
164	Groen 55	000 ⇄ 255	0–100%
165	Blauw 55	000 ⇄ 255	0–100%
166	Rood 56	000 ⇄ 255	0–100%
167	Groen 56	000 ⇄ 255	0–100%
168	Blauw 56	000 ⇄ 255	0–100%

Kanaal	Functie	Waarde	Percentage/Instelling
169	Rood 57	000 ⇔ 255	0-100%
170	Groen 57	000 ⇔ 255	0-100%
171	Blauw 57	000 ⇔ 255	0-100%
172	Rood 58	000 ⇔ 255	0-100%
173	Groen 58	000 ⇔ 255	0-100%
174	Blauw 58	000 ⇔ 255	0-100%
175	Rood 59	000 ⇔ 255	0-100%
176	Groen 59	000 ⇔ 255	0-100%
177	Blauw 59	000 ⇔ 255	0-100%
178	Rood 60	000 ⇔ 255	0-100%
179	Groen 60	000 ⇔ 255	0-100%
180	Blauw 60	000 ⇔ 255	0-100%
181	Rood 61	000 ⇔ 255	0-100%
182	Groen 61	000 ⇔ 255	0-100%
183	Blauw 61	000 ⇔ 255	0-100%
184	Rood 62	000 ⇔ 255	0-100%
185	Groen 62	000 ⇔ 255	0-100%
186	Blauw 62	000 ⇔ 255	0-100%
187	Rood 63	000 ⇔ 255	0-100%
188	Groen 63	000 ⇔ 255	0-100%
189	Blauw 63	000 ⇔ 255	0-100%
190	Rood 64	000 ⇔ 255	0-100%
191	Groen 64	000 ⇔ 255	0-100%
192	Blauw 64	000 ⇔ 255	0-100%
193	Rood 65	000 ⇔ 255	0-100%
194	Groen 65	000 ⇔ 255	0-100%
195	Blauw 65	000 ⇔ 255	0-100%
196	Rood 66	000 ⇔ 255	0-100%
197	Groen 66	000 ⇔ 255	0-100%
198	Blauw 66	000 ⇔ 255	0-100%
199	Rood 67	000 ⇔ 255	0-100%
200	Groen 67	000 ⇔ 255	0-100%
201	Blauw 67	000 ⇔ 255	0-100%
202	Rood 68	000 ⇔ 255	0-100%
203	Groen 68	000 ⇔ 255	0-100%
204	Blauw 68	000 ⇔ 255	0-100%
205	Rood 69	000 ⇔ 255	0-100%
206	Groen 69	000 ⇔ 255	0-100%
207	Blauw 69	000 ⇔ 255	0-100%
208	Rood 70	000 ⇔ 255	0-100%
209	Groen 70	000 ⇔ 255	0-100%
210	Blauw 70	000 ⇔ 255	0-100%
211	Rood 71	000 ⇔ 255	0-100%
212	Groen 71	000 ⇔ 255	0-100%
213	Blauw 71	000 ⇔ 255	0-100%
214	Rood 72	000 ⇔ 255	0-100%
215	Groen 72	000 ⇔ 255	0-100%
216	Blauw 72	000 ⇔ 255	0-100%
217	Rood 73	000 ⇔ 255	0-100%
218	Groen 73	000 ⇔ 255	0-100%
219	Blauw 73	000 ⇔ 255	0-100%
220	Rood 74	000 ⇔ 255	0-100%
221	Groen 74	000 ⇔ 255	0-100%
222	Blauw 74	000 ⇔ 255	0-100%
223	Rood 75	000 ⇔ 255	0-100%
224	Groen 75	000 ⇔ 255	0-100%
225	Blauw 75	000 ⇔ 255	0-100%

Kanaal	Functie	Waarde	Percentage/Instelling
226	Rood 76	000 ⇔ 255	0–100%
227	Groen 76	000 ⇔ 255	0–100%
228	Blauw 76	000 ⇔ 255	0–100%
229	Rood 77	000 ⇔ 255	0–100%
230	Groen 77	000 ⇔ 255	0–100%
231	Blauw 77	000 ⇔ 255	0–100%
232	Rood 78	000 ⇔ 255	0–100%
233	Groen 78	000 ⇔ 255	0–100%
234	Blauw 78	000 ⇔ 255	0–100%
235	Rood 79	000 ⇔ 255	0–100%
236	Groen 79	000 ⇔ 255	0–100%
237	Blauw 79	000 ⇔ 255	0–100%
238	Rood 80	000 ⇔ 255	0–100%
239	Groen 80	000 ⇔ 255	0–100%
240	Blauw 80	000 ⇔ 255	0–100%
241	Rood 81	000 ⇔ 255	0–100%
242	Groen 81	000 ⇔ 255	0–100%
243	Blauw 81	000 ⇔ 255	0–100%
244	Rood 82	000 ⇔ 255	0–100%
245	Groen 82	000 ⇔ 255	0–100%
246	Blauw 82	000 ⇔ 255	0–100%
247	Rood 83	000 ⇔ 255	0–100%
248	Groen 83	000 ⇔ 255	0–100%
249	Blauw 83	000 ⇔ 255	0–100%
250	Rood 84	000 ⇔ 255	0–100%
251	Groen 84	000 ⇔ 255	0–100%
252	Blauw 84	000 ⇔ 255	0–100%
253	Rood 85	000 ⇔ 255	0–100%
254	Groen 85	000 ⇔ 255	0–100%
255	Blauw 85	000 ⇔ 255	0–100%
256	Rood 86	000 ⇔ 255	0–100%
257	Groen 86	000 ⇔ 255	0–100%
258	Blauw 86	000 ⇔ 255	0–100%
259	Rood 87	000 ⇔ 255	0–100%
260	Groen 87	000 ⇔ 255	0–100%
261	Blauw 87	000 ⇔ 255	0–100%
262	Rood 88	000 ⇔ 255	0–100%
263	Groen 88	000 ⇔ 255	0–100%
264	Blauw 88	000 ⇔ 255	0–100%
265	Rood 89	000 ⇔ 255	0–100%
266	Groen 89	000 ⇔ 255	0–100%
267	Blauw 89	000 ⇔ 255	0–100%
268	Rood 90	000 ⇔ 255	0–100%
269	Groen 90	000 ⇔ 255	0–100%
270	Blauw 90	000 ⇔ 255	0–100%
271	Rood 91	000 ⇔ 255	0–100%
272	Groen 91	000 ⇔ 255	0–100%
273	Blauw 91	000 ⇔ 255	0–100%
274	Rood 92	000 ⇔ 255	0–100%
275	Groen 92	000 ⇔ 255	0–100%
276	Blauw 92	000 ⇔ 255	0–100%
277	Rood 93	000 ⇔ 255	0–100%
278	Groen 93	000 ⇔ 255	0–100%
279	Blauw 93	000 ⇔ 255	0–100%
280	Rood 94	000 ⇔ 255	0–100%
281	Groen 94	000 ⇔ 255	0–100%
282	Blauw 94	000 ⇔ 255	0–100%

Kanaal	Functie	Waarde	Percentage/Instelling
283	Rood 95	000 ⇔ 255	0–100%
284	Groen 95	000 ⇔ 255	0–100%
285	Blauw 95	000 ⇔ 255	0–100%
286	Rood 96	000 ⇔ 255	0–100%
287	Groen 96	000 ⇔ 255	0–100%
288	Blauw 96	000 ⇔ 255	0–100%
289	Rood 97	000 ⇔ 255	0–100%
290	Groen 97	000 ⇔ 255	0–100%
291	Blauw 97	000 ⇔ 255	0–100%
292	Rood 98	000 ⇔ 255	0–100%
293	Groen 98	000 ⇔ 255	0–100%
294	Blauw 98	000 ⇔ 255	0–100%
295	Rood 99	000 ⇔ 255	0–100%
296	Groen 99	000 ⇔ 255	0–100%
297	Blauw 99	000 ⇔ 255	0–100%
298	Rood 100	000 ⇔ 255	0–100%
299	Groen 100	000 ⇔ 255	0–100%
300	Blauw 100	000 ⇔ 255	0–100%

“7-Channel” Modus

Kanaal	Functie	Waarde	Percentage/Instelling
1	Dimmer	000 ⇔ 255	0–100%
2	Rood	000 ⇔ 255	0–100%
3	Groen	000 ⇔ 255	0–100%
4	Blauw	000 ⇔ 255	0–100%
5	Automatische Programma	000 ⇔ 010	Geen functie
		011 ⇔ 027	Automatische programma 1
		028 ⇔ 043	Automatische programma 2
		044 ⇔ 059	Automatische programma 3
		060 ⇔ 076	Automatische programma 4
		077 ⇔ 092	Automatische programma 5
		093 ⇔ 108	Automatische programma 6
		109 ⇔ 124	Automatische programma 7
		125 ⇔ 141	Automatische programma 8
		142 ⇔ 157	Automatische programma 9
		158 ⇔ 173	Automatische programma 10
		174 ⇔ 189	Automatische programma 11
		190 ⇔ 206	Automatische programma 12
		207 ⇔ 222	Automatische programma 13
		223 ⇔ 238	Automatische programma 14
239 ⇔ 255	Alle programma's (Automatisch programma's 1–14)		
6	Snelheid	000 ⇔ 255	0–100%
7	Strobeoscoop	000 ⇔ 010	Geen functie
		011 ⇔ 255	Stroboscoop, langzaam tot snel

“5-Section” Modus (15 kanalen per ÉPIX Strip IP)

Kanaal	Functie	Waarde	Percentage/Instelling
1	Rood 1–20	000 ⇔ 255	0–100%
2	Groen 1–20	000 ⇔ 255	0–100%
3	Blauw 1–20	000 ⇔ 255	0–100%
4	Rood 21–40	000 ⇔ 255	0–100%
5	Groen 21–40	000 ⇔ 255	0–100%
6	Blauw 21–40	000 ⇔ 255	0–100%
7	Rood 41–60	000 ⇔ 255	0–100%
8	Groen 41–60	000 ⇔ 255	0–100%
9	Blauw 41–60	000 ⇔ 255	0–100%
10	Rood 61–80	000 ⇔ 255	0–100%
11	Groen 61–80	000 ⇔ 255	0–100%
12	Blauw 61–80	000 ⇔ 255	0–100%
13	Rood 81–100	000 ⇔ 255	0–100%
14	Groen 81–100	000 ⇔ 255	0–100%
15	Blauw 81–100	000 ⇔ 255	0–100%

“10-Section” Modus (30 kanalen per ÉPIX Strip IP)

Kanaal	Functie	Waarde	Percentage/Instelling
1	Rood 1–10	000 ⇔ 255	0–100%
2	Groen 1–10	000 ⇔ 255	0–100%
3	Blauw 1–10	000 ⇔ 255	0–100%
4	Rood 11–20	000 ⇔ 255	0–100%
5	Groen 11–20	000 ⇔ 255	0–100%
6	Blauw 11–20	000 ⇔ 255	0–100%
7	Rood 21–30	000 ⇔ 255	0–100%
8	Groen 21–30	000 ⇔ 255	0–100%
9	Blauw 21–30	000 ⇔ 255	0–100%
10	Rood 31–40	000 ⇔ 255	0–100%
11	Groen 31–40	000 ⇔ 255	0–100%
12	Blauw 31–40	000 ⇔ 255	0–100%
13	Rood 41–50	000 ⇔ 255	0–100%
14	Groen 41–50	000 ⇔ 255	0–100%
15	Blauw 41–50	000 ⇔ 255	0–100%
16	Rood 51–60	000 ⇔ 255	0–100%
17	Groen 51–60	000 ⇔ 255	0–100%
18	Blauw 51–60	000 ⇔ 255	0–100%
19	Rood 61–70	000 ⇔ 255	0–100%
20	Groen 61–70	000 ⇔ 255	0–100%
21	Blauw 61–70	000 ⇔ 255	0–100%
22	Rood 71–80	000 ⇔ 255	0–100%
23	Groen 71–80	000 ⇔ 255	0–100%
24	Blauw 71–80	000 ⇔ 255	0–100%
25	Rood 81–90	000 ⇔ 255	0–100%
26	Groen 81–90	000 ⇔ 255	0–100%
27	Blauw 81–90	000 ⇔ 255	0–100%
28	Rood 91–100	000 ⇔ 255	0–100%
29	Groen 91–100	000 ⇔ 255	0–100%
30	Blauw 91–100	000 ⇔ 255	0–100%

“25-Section” Modus (75 kanalen per ÉPIX Strip IP)

Kanaal	Functie	Waarde	Percentage/Instelling
1	Rood 1–4	000 ⇔ 255	0–100%
2	Groen 1–4	000 ⇔ 255	0–100%
3	Blauw 1–4	000 ⇔ 255	0–100%
4	Rood 5–8	000 ⇔ 255	0–100%
5	Groen 5–8	000 ⇔ 255	0–100%
6	Blauw 5–8	000 ⇔ 255	0–100%
7	Rood 9–12	000 ⇔ 255	0–100%
8	Groen 9–12	000 ⇔ 255	0–100%
9	Blauw 9–12	000 ⇔ 255	0–100%
10	Rood 13–16	000 ⇔ 255	0–100%
11	Groen 13–16	000 ⇔ 255	0–100%
12	Blauw 13–16	000 ⇔ 255	0–100%
13	Rood 17–20	000 ⇔ 255	0–100%
14	Groen 17–20	000 ⇔ 255	0–100%
15	Blauw 17–20	000 ⇔ 255	0–100%
16	Rood 21–24	000 ⇔ 255	0–100%
17	Groen 21–24	000 ⇔ 255	0–100%
18	Blauw 21–24	000 ⇔ 255	0–100%
19	Rood 25–28	000 ⇔ 255	0–100%
20	Groen 25–28	000 ⇔ 255	0–100%
21	Blauw 25–28	000 ⇔ 255	0–100%
22	Rood 29–32	000 ⇔ 255	0–100%
23	Groen 29–32	000 ⇔ 255	0–100%
24	Blauw 29–32	000 ⇔ 255	0–100%
25	Rood 33–36	000 ⇔ 255	0–100%
26	Groen 33–36	000 ⇔ 255	0–100%
27	Blauw 33–36	000 ⇔ 255	0–100%
28	Rood 37–40	000 ⇔ 255	0–100%
29	Groen 37–40	000 ⇔ 255	0–100%
30	Blauw 37–40	000 ⇔ 255	0–100%
31	Rood 41–44	000 ⇔ 255	0–100%
32	Groen 41–44	000 ⇔ 255	0–100%
33	Blauw 41–44	000 ⇔ 255	0–100%
34	Rood 45–48	000 ⇔ 255	0–100%
35	Groen 45–48	000 ⇔ 255	0–100%
36	Blauw 45–48	000 ⇔ 255	0–100%
37	Rood 49–52	000 ⇔ 255	0–100%
38	Groen 49–52	000 ⇔ 255	0–100%
39	Blauw 49–52	000 ⇔ 255	0–100%
40	Rood 53–56	000 ⇔ 255	0–100%
41	Groen 53–56	000 ⇔ 255	0–100%
42	Blauw 53–56	000 ⇔ 255	0–100%
43	Rood 57–60	000 ⇔ 255	0–100%
44	Groen 57–60	000 ⇔ 255	0–100%
45	Blauw 57–60	000 ⇔ 255	0–100%
46	Rood 61–64	000 ⇔ 255	0–100%
47	Groen 61–64	000 ⇔ 255	0–100%
48	Blauw 61–64	000 ⇔ 255	0–100%
49	Rood 65–68	000 ⇔ 255	0–100%
50	Groen 65–68	000 ⇔ 255	0–100%
51	Blauw 65–68	000 ⇔ 255	0–100%
52	Rood 69–72	000 ⇔ 255	0–100%
53	Groen 69–72	000 ⇔ 255	0–100%
54	Blauw 69–72	000 ⇔ 255	0–100%

Kanaal	Functie	Waarde	Percentage/Instelling
55	Rood 73–76	000 ⇔ 255	0–100%
56	Groen 73–76	000 ⇔ 255	0–100%
57	Blauw 73–76	000 ⇔ 255	0–100%
58	Rood 77–80	000 ⇔ 255	0–100%
59	Groen 77–80	000 ⇔ 255	0–100%
60	Blauw 77–80	000 ⇔ 255	0–100%
61	Rood 81–84	000 ⇔ 255	0–100%
62	Groen 81–84	000 ⇔ 255	0–100%
63	Blauw 81–84	000 ⇔ 255	0–100%
64	Rood 85–88	000 ⇔ 255	0–100%
65	Groen 85–88	000 ⇔ 255	0–100%
66	Blauw 85–88	000 ⇔ 255	0–100%
67	Rood 89–92	000 ⇔ 255	0–100%
68	Groen 89–92	000 ⇔ 255	0–100%
69	Blauw 89–92	000 ⇔ 255	0–100%
70	Rood 93–96	000 ⇔ 255	0–100%
71	Groen 93–96	000 ⇔ 255	0–100%
72	Blauw 93–96	000 ⇔ 255	0–100%
73	Rood 97–100	000 ⇔ 255	0–100%
74	Groen 97–100	000 ⇔ 255	0–100%
75	Blauw 97–100	000 ⇔ 255	0–100%

“50-Section” Modus (150 kanalen per ÉPIX Strip IP)

Channel	Function	Value	Percent/Setting
1	Rood 1–2	000 ⇔ 255	0–100%
2	Groen 1–2	000 ⇔ 255	0–100%
3	Blauw 1–2	000 ⇔ 255	0–100%
4	Rood 3–4	000 ⇔ 255	0–100%
5	Groen 3–4	000 ⇔ 255	0–100%
6	Blauw 3–4	000 ⇔ 255	0–100%
7	Rood 5–6	000 ⇔ 255	0–100%
8	Groen 5–6	000 ⇔ 255	0–100%
9	Blauw 5–6	000 ⇔ 255	0–100%
10	Rood 7–8	000 ⇔ 255	0–100%
11	Groen 7–8	000 ⇔ 255	0–100%
12	Blauw 7–8	000 ⇔ 255	0–100%
13	Rood 9–10	000 ⇔ 255	0–100%
14	Groen 9–10	000 ⇔ 255	0–100%
15	Blauw 9–10	000 ⇔ 255	0–100%
16	Rood 11–12	000 ⇔ 255	0–100%
17	Groen 11–12	000 ⇔ 255	0–100%
18	Blauw 11–12	000 ⇔ 255	0–100%
19	Rood 13–14	000 ⇔ 255	0–100%
20	Groen 13–14	000 ⇔ 255	0–100%
21	Blauw 13–14	000 ⇔ 255	0–100%
22	Rood 15–16	000 ⇔ 255	0–100%
23	Groen 15–16	000 ⇔ 255	0–100%
24	Blauw 15–16	000 ⇔ 255	0–100%
25	Rood 17–18	000 ⇔ 255	0–100%
26	Groen 17–18	000 ⇔ 255	0–100%
27	Blauw 17–18	000 ⇔ 255	0–100%
28	Rood 19–20	000 ⇔ 255	0–100%
29	Groen 19–20	000 ⇔ 255	0–100%
30	Blauw 19–20	000 ⇔ 255	0–100%

Channel	Function	Value	Percent/Setting
31	Rood 21–22	000 ⇄ 255	0–100%
32	Groen 21–22	000 ⇄ 255	0–100%
33	Blauw 21–22	000 ⇄ 255	0–100%
34	Rood 23–24	000 ⇄ 255	0–100%
35	Groen 23–24	000 ⇄ 255	0–100%
36	Blauw 23–24	000 ⇄ 255	0–100%
37	Rood 25–26	000 ⇄ 255	0–100%
38	Groen 25–26	000 ⇄ 255	0–100%
39	Blauw 25–26	000 ⇄ 255	0–100%
40	Rood 27–28	000 ⇄ 255	0–100%
41	Groen 27–28	000 ⇄ 255	0–100%
42	Blauw 27–28	000 ⇄ 255	0–100%
43	Rood 29–30	000 ⇄ 255	0–100%
44	Groen 29–30	000 ⇄ 255	0–100%
45	Blauw 29–30	000 ⇄ 255	0–100%
46	Rood 31–32	000 ⇄ 255	0–100%
47	Groen 31–32	000 ⇄ 255	0–100%
48	Blauw 31–32	000 ⇄ 255	0–100%
49	Rood 33–34	000 ⇄ 255	0–100%
50	Groen 33–34	000 ⇄ 255	0–100%
51	Blauw 33–34	000 ⇄ 255	0–100%
52	Rood 35–36	000 ⇄ 255	0–100%
53	Groen 35–36	000 ⇄ 255	0–100%
54	Blauw 35–36	000 ⇄ 255	0–100%
55	Rood 37–38	000 ⇄ 255	0–100%
56	Groen 37–38	000 ⇄ 255	0–100%
57	Blauw 37–38	000 ⇄ 255	0–100%
58	Rood 39–40	000 ⇄ 255	0–100%
59	Groen 39–40	000 ⇄ 255	0–100%
60	Blauw 39–40	000 ⇄ 255	0–100%
61	Rood 41–42	000 ⇄ 255	0–100%
62	Groen 41–42	000 ⇄ 255	0–100%
63	Blauw 41–42	000 ⇄ 255	0–100%
64	Rood 43–44	000 ⇄ 255	0–100%
65	Groen 43–44	000 ⇄ 255	0–100%
66	Blauw 43–44	000 ⇄ 255	0–100%
67	Rood 45–46	000 ⇄ 255	0–100%
68	Groen 45–46	000 ⇄ 255	0–100%
69	Blauw 45–46	000 ⇄ 255	0–100%
70	Rood 47–48	000 ⇄ 255	0–100%
71	Groen 47–48	000 ⇄ 255	0–100%
72	Blauw 47–48	000 ⇄ 255	0–100%
73	Rood 49–50	000 ⇄ 255	0–100%
74	Groen 49–50	000 ⇄ 255	0–100%
75	Blauw 49–50	000 ⇄ 255	0–100%
76	Rood 51–52	000 ⇄ 255	0–100%
77	Groen 51–52	000 ⇄ 255	0–100%
78	Blauw 51–52	000 ⇄ 255	0–100%
79	Rood 53–54	000 ⇄ 255	0–100%
80	Groen 53–54	000 ⇄ 255	0–100%
81	Blauw 53–54	000 ⇄ 255	0–100%
82	Rood 55–56	000 ⇄ 255	0–100%
83	Groen 55–56	000 ⇄ 255	0–100%
84	Blauw 55–56	000 ⇄ 255	0–100%

Channel	Function	Value	Percent/Setting
85	Rood 57–58	000 ⇄ 255	0–100%
86	Groen 57–58	000 ⇄ 255	0–100%
87	Blauw 57–58	000 ⇄ 255	0–100%
88	Rood 59–60	000 ⇄ 255	0–100%
89	Groen 59–60	000 ⇄ 255	0–100%
90	Blauw 59–60	000 ⇄ 255	0–100%
91	Rood 61–62	000 ⇄ 255	0–100%
92	Groen 61–62	000 ⇄ 255	0–100%
93	Blauw 61–62	000 ⇄ 255	0–100%
94	Rood 63–64	000 ⇄ 255	0–100%
95	Groen 63–64	000 ⇄ 255	0–100%
96	Blauw 63–64	000 ⇄ 255	0–100%
97	Rood 65–66	000 ⇄ 255	0–100%
98	Groen 65–66	000 ⇄ 255	0–100%
99	Blauw 65–66	000 ⇄ 255	0–100%
100	Rood 67–68	000 ⇄ 255	0–100%
101	Groen 67–68	000 ⇄ 255	0–100%
102	Blauw 67–68	000 ⇄ 255	0–100%
103	Rood 69–70	000 ⇄ 255	0–100%
104	Groen 69–70	000 ⇄ 255	0–100%
105	Blauw 69–70	000 ⇄ 255	0–100%
106	Rood 71–72	000 ⇄ 255	0–100%
107	Groen 71–72	000 ⇄ 255	0–100%
108	Blauw 71–72	000 ⇄ 255	0–100%
109	Rood 73–74	000 ⇄ 255	0–100%
110	Groen 73–74	000 ⇄ 255	0–100%
111	Blauw 73–74	000 ⇄ 255	0–100%
112	Rood 75–76	000 ⇄ 255	0–100%
113	Groen 75–76	000 ⇄ 255	0–100%
114	Blauw 75–76	000 ⇄ 255	0–100%
115	Rood 77–78	000 ⇄ 255	0–100%
116	Groen 77–78	000 ⇄ 255	0–100%
117	Blauw 77–78	000 ⇄ 255	0–100%
118	Rood 79–80	000 ⇄ 255	0–100%
119	Groen 79–80	000 ⇄ 255	0–100%
120	Blauw 79–80	000 ⇄ 255	0–100%
121	Rood 81–82	000 ⇄ 255	0–100%
122	Groen 81–82	000 ⇄ 255	0–100%
123	Blauw 81–82	000 ⇄ 255	0–100%
124	Rood 83–84	000 ⇄ 255	0–100%
125	Groen 83–84	000 ⇄ 255	0–100%
126	Blauw 83–84	000 ⇄ 255	0–100%
127	Rood 85–86	000 ⇄ 255	0–100%
128	Groen 85–86	000 ⇄ 255	0–100%
129	Blauw 85–86	000 ⇄ 255	0–100%
130	Rood 87–88	000 ⇄ 255	0–100%
131	Groen 87–88	000 ⇄ 255	0–100%
132	Blauw 87–88	000 ⇄ 255	0–100%
133	Rood 89–90	000 ⇄ 255	0–100%
134	Groen 89–90	000 ⇄ 255	0–100%
135	Blauw 89–90	000 ⇄ 255	0–100%
136	Rood 91–92	000 ⇄ 255	0–100%
137	Groen 91–92	000 ⇄ 255	0–100%
138	Blauw 91–92	000 ⇄ 255	0–100%

Channel	Function	Value	Percent/Setting
139	Rood 93–94	000 ⇔ 255	0–100%
140	Groen 93–94	000 ⇔ 255	0–100%
141	Blauw 93–94	000 ⇔ 255	0–100%
142	Rood 95–96	000 ⇔ 255	0–100%
143	Groen 95–96	000 ⇔ 255	0–100%
144	Blauw 95–96	000 ⇔ 255	0–100%
145	Rood 97–98	000 ⇔ 255	0–100%
146	Groen 97–98	000 ⇔ 255	0–100%
147	Blauw 97–98	000 ⇔ 255	0–100%
148	Rood 99–100	000 ⇔ 255	0–100%
149	Groen 99–100	000 ⇔ 255	0–100%
150	Blauw 99–100	000 ⇔ 255	0–100%

Contact Us

World Headquarters	
General Information	Technical Support
Address: 5200 NW 108th Ave. Sunrise, FL 33351 Voice: (954) 577-4455 Fax: (954) 929-5560 Toll Free: (800) 762-1084	Voice: (844) 393-7575 Fax: (954) 756-8015 Email: chauvetcs@chauvetlighting.com
	Website www.chauvetlighting.com
EUROPE	
General Information	Technical Support
Address: Stokstraat 18 9770 Kruishoutem Belgium Voice: +32 9 388 93 97	Email: eutech@chauvetlighting.eu
	Website www.chauvetlighting.eu
General Information	Technical Support
Address: Unit 1C Brookhill Road Industrial Estate Pinxton, Nottingham, UK NG16 6NT Voice: +44 (0) 1773 511115 Fax: +44 (0) 1773 511110	Email: uktech@chauvetlighting.com
	Website www.chauvetlighting.co.uk
MEXICO	
General Information	Technical Support
Address: Av. de las Partidas 34 - 3B (Entrance by Calle 2) Zona Industrial Lerma Lerma, Edo. de México, CP 52000 Voice: +52 (728) 690-2010	Email: servicio@chauvet.com.mx
	Website www.chauvet.com.mx

Outside the U.S., United Kingdom, Ireland, Mexico or Benelux, contact the dealer of record. Follow the instructions to request support or to return a product. Visit our website for contact details.

