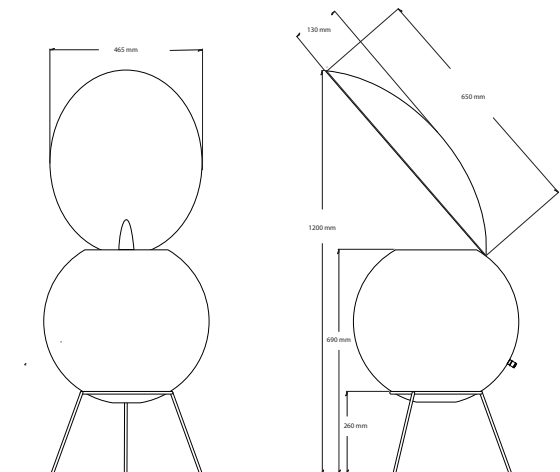


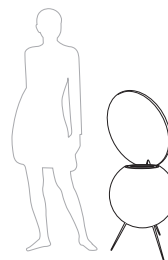


To mark the occasion of its 60th birthday, Elipson is honoring the landmark models that have shaped its history. The first speaker to gain fame was the famous BS50, an acronym for its full name «Staff Ball, 50 cm diameter».

All by itself, the bs 50 incarnates the history of Elipson. Designed in 1953, the BS50 was created for the first «sound and light» shows at the Château de Chambord. Its ear allowed for precise sound diffusion. Elipson is reproducing this legendary model in today's material while preserving the acoustic sound qualities that were so unique to a product that defied all the norms. The BS50 is a perfect illustration of the passion for sound and design that infuses the products in this brand.



SPECIFICATIONS



Bass-reflex speaker with internal resonator (Elipson patent) and acoustic reflector (Elipson patent)
2-way coaxial driver
Woofer : 8" (200 mm), treated paper cone, small fold suspension
Tweeter : 1" (25 mm), silk dome

Amplifier : 50-100W
Frequency response : 40 Hz - 20 kHz
Sensitivity : 92 dB / 1W / 1m
Impedance : 8 Ohms

Overall dimensions : W500 x H1150 x D500 mm
Sphere : Ø500 mm
Reflector : W460 x H630 x D110 mm
Stand : W500 x H260 x D500 mm
Weight : 31,4 kg
Finish : satin white

Delivered with exclusive stand

DEEE :

Packaging :
Unit : W820 x H665 x D775 mm / 44,5 kg

REFERENCES

BS50 Tribute

EAN per unit (x1)
3760108805880
SKU : ELIBS50

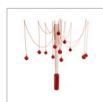
Stand

EAN per unit (x1)
3760108805842
SKU : ELIBS50STA

ALSO AVAILABLE



AS30 Tribute



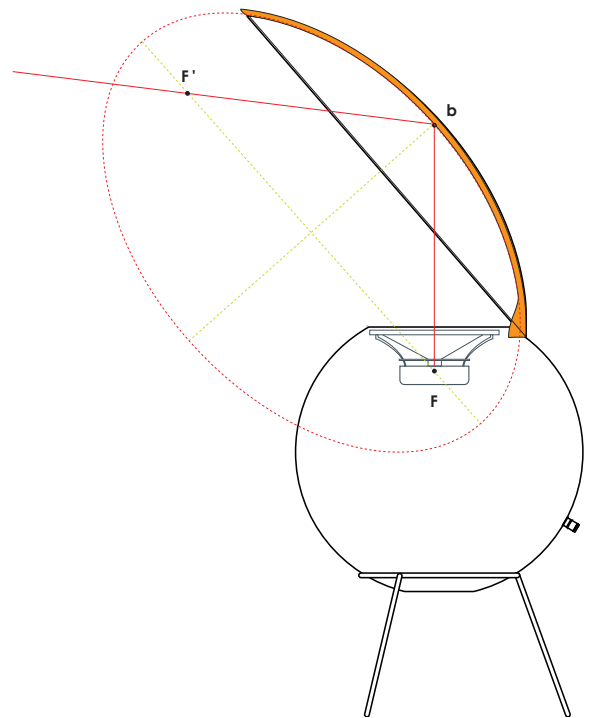
Sound Tree

ADVANTAGES WITH A REFLECTOR

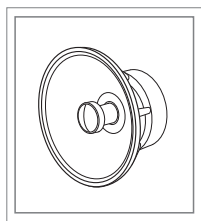
Beyond its unique esthetic appeal, the reflector will provide you with an unparalleled sound experience. Musical instruments seem like they are really there, voices are crisp and true, and you'll experience the full volume of sound. These are the system's principal audio characteristics.

This is the result of pairing an ellipsoid-shaped reflector with a speaker placed in the center focal point (F). Reflecting waves give rise to a concentrated sound source located at the second focal point (F').

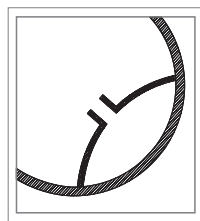
It's the differential between the two focal points that creates this unique sound sensation. Sharp notes seem to be emitted solely from the second focal point located in front of the reflector, while the lower tones seem to be coming from the bottom of the reflector.



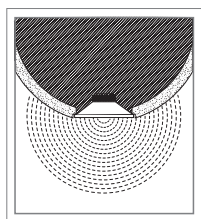
TECHNICAL DETAILS



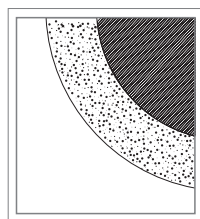
Coaxial loudspeaker



Internal resonator



Anti-diffraction system



Fiberglass strengthened resin

