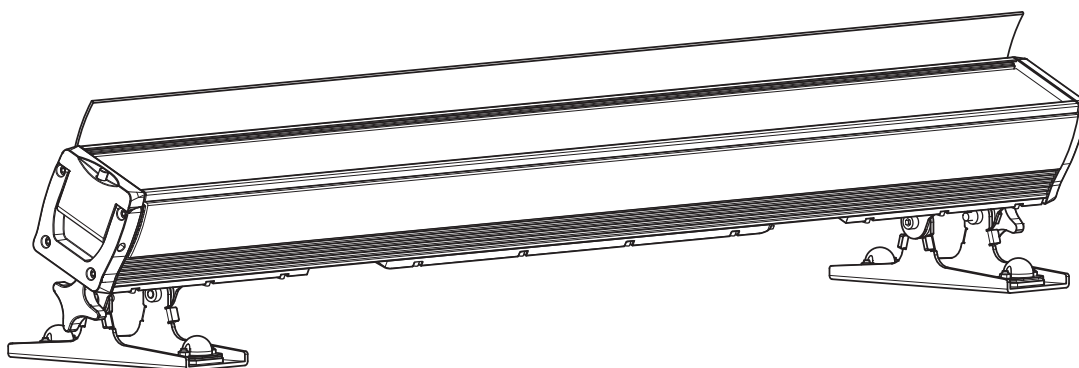


# COLORADO BATTEN 72X

## Quick Reference Guide

|            |    |
|------------|----|
| English    | EN |
| Español    | ES |
| Français   | FR |
| Deutsch    | DE |
| Nederlands | NL |



## About This Guide

The COLORado Batten 72X Quick Reference Guide (QRG) has basic product information such as connection, mounting, menu options, and DMX values. Download the User Manual from [www.chauvetprofessional.com](http://www.chauvetprofessional.com) for more details.

### Disclaimer

The information and specifications contained in this QRG are subject to change without notice.

### LIMITED WARRANTY

**FOR WARRANTY REGISTRATION AND COMPLETE TERMS AND CONDITIONS PLEASE VISIT OUR WEBSITE.**

**For Customers in the United States and Mexico:** [www.chauvetlighting.com/warranty-registration](http://www.chauvetlighting.com/warranty-registration).

**For Customers in the United Kingdom, Republic of Ireland, Belgium, the Netherlands, Luxembourg, France, and Germany:** [www.chauvetlighting.eu/warranty-registration](http://www.chauvetlighting.eu/warranty-registration).

Chauvet warrants that this product shall be free from defects in material and workmanship under normal use, for the period specified in, and subject to the exclusions and limitations set forth in the full limited warranty on our website. This warranty extends only to the original purchaser of the product and is not transferable. To exercise rights under this warranty, you must provide proof of purchase in the form of an original sales receipt from an authorized dealer that shows the product name and date of purchase. THERE ARE NO OTHER EXPRESS OR IMPLIED WARRANTIES. This warranty gives you specific legal rights. You may also have other rights that vary from state to state and country to country. This warranty is valid only in the United States, United Kingdom, Republic of Ireland, Belgium, the Netherlands, Luxembourg, France, Germany and Mexico. For warranty terms in other countries, please consult your local distributor.

### Safety Notes

These Safety Notes include important information about installation, use, and maintenance.

- DO NOT open this product. It contains no user-serviceable parts.
- To eliminate unnecessary wear and improve its lifespan, during periods of non-use completely disconnect the product from power via breaker or by unplugging it.
- DO NOT look at the light source when the product is on.
- CAUTION: This product's housing may be hot when lights are operating. Mount this product in a location with adequate ventilation, at least 20 in (50 cm) from adjacent surfaces.
- DO NOT leave any flammable material within 50 cm of this product while operating or connected to power.
- CAUTION: When transferring product from extreme temperature environments, (e.g., cold truck to warm humid ballroom) condensation may form on the internal electronics of the product. To avoid causing a failure, allow product to fully acclimate to the surrounding environment before connecting it to power.
- Not for permanent outdoor installation in locations with extreme environmental conditions. This includes, but is not limited to:
  - Exposure to a marine/saline environment (within 3 miles of a saltwater body of water).
  - Where the normal high or low temperatures of the location exceed the temperature ranges in this manual.
  - Locations that are prone to flooding or being buried in snow.
  - Other areas where the product will be subject to extreme radiation or caustic substances.
- USE a safety cable when mounting this product overhead.
- DO NOT submerge this product (IP65). Regular outdoor operation is fine.
- DO NOT operate this product if the housing, lenses, or cables appear damaged.
- DO NOT connect this product to a dimmer or rheostat.
- ONLY connect this product to a grounded and protected circuit.
- ONLY use the hanging/mounting bracket to carry this product.
- In the event of a serious operating problem, stop using immediately.
- The maximum ambient temperature is 113 °F (45 °C). Do not operate this product at higher temperatures.

### Contact

Outside the U.S., United Kingdom, Ireland, Benelux, France, Germany, or Mexico, contact your distributor to request support or return a product. Refer to [Contact Us](#) at the end of this QRG for contact information.

### What is Included

- COLORado Batten 72X with glare shield
- Seetronic Powerkon IP65 power cord
- Omega Brackets
- Quick Reference Guide

## AC Power

This product has an auto-ranging power supply that can work with an input voltage range of 100–240 VAC, 50/60 Hz.

### Power Linking

You can link up to 10 COLORado Batten 72X products at 120 V, 17 products at 208 V, or 19 products at 230 V. Never exceed this number. Power linking cords can be purchased separately.

### AC Plug

| Connection | Wire (U.S.)  | Wire (Europe) | Screw Color  |
|------------|--------------|---------------|--------------|
| AC Live    | Black        | Brown         | Yellow/Brass |
| AC Neutral | White        | Blue          | Silver       |
| AC Ground  | Green/Yellow | Green/Yellow  | Green        |



To eliminate unnecessary wear and improve its lifespan, during periods of non-use completely disconnect the product from power via breaker or by unplugging it.

## DMX Linking

The COLORado Batten 72X will work with a DMX controller using a 5-pin DMX serial connection. A DMX Primer is available from [www.chauvetprofessional.com](http://www.chauvetprofessional.com).

### DMX Connection

The COLORado Batten 72X uses a 5-pin DMX data connection for its 18 control personalities, ranging from 3-channel to 43-channel in 1-cell modes and 3-cell modes:

|         | RGB | RGB EXT | RGBA | RGBA EXT | RGBAW | RGBAW EXT | RGBAW FIN | RGBAW FUL | HSIC |
|---------|-----|---------|------|----------|-------|-----------|-----------|-----------|------|
| 1-Cell  | 3   | 8       | 4    | 9        | 5     | 10        | 10        | 16        | 8    |
| 3-Cells | 9   | 21      | 12   | 24       | 15    | 27        | 30        | 43        | 22   |

See the User Manual for information about connecting and configuring the product for DMX operation.

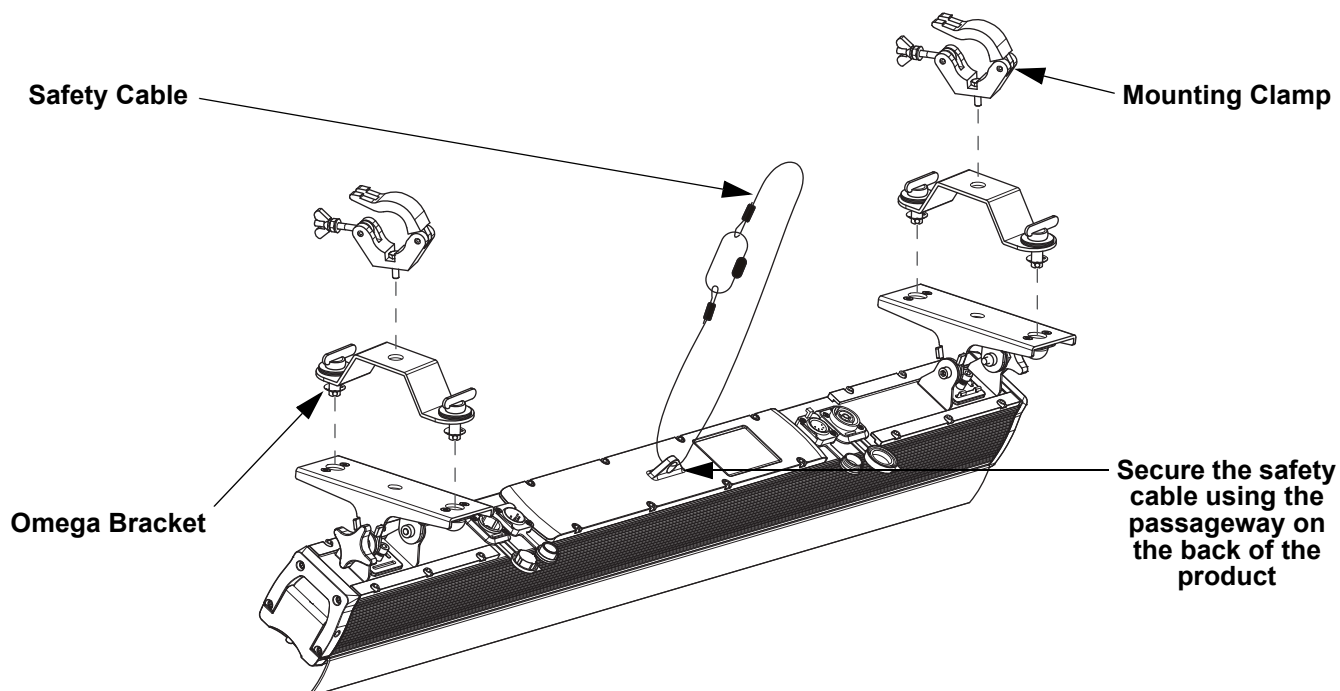
### RDM (Remote Device Management)

Remote Device Management, or RDM, is a standard for allowing DMX-enabled devices to communicate bi-directionally along existing DMX cabling. Check the DMX controller's User Manual or with the manufacturer as not all DMX controllers have this capability. The COLORado Batten 72X supports RDM protocol that allows feedback to make changes to menu map options. Download the User Manual from [www.chauvetprofessional.com](http://www.chauvetprofessional.com) for more details.

## Mounting

Before mounting this product, read the [Safety Notes](#). Use at least two mounting point per product. Make sure the mounting clamps are capable of supporting the weight of the product. For our Chauvet line of mounting clamps, go to <http://trusst.com/productcategory/truss-clamps/>.

### Mounting Diagram



**Control Panel Description**

| Button  | Function   |
|---------|--|
| <MENU>  | Exits from the current menu or function  |
| <ENTER> | Enables the currently displayed menu or sets the currently selected value into the selected function |
| <UP>    | Navigates upwards through the menu list or increases the numeric value when in a function            |
| <DOWN>  | Navigates downwards through the menu list or decreases the numeric value when in a function          |

**Menu Map**

| Main Level     | Programming Levels  | Description  |
|----------------|---|--|
| Start Address  | 1–510*  | Selects DMX address (*highest channel restricted to personality chosen)                                |
|                | 1 RGB   | 3-channel: RGB   |
| Personality    | 1 RGB EXT   | 8-channel: 16-bit Dimmer, RGB, Color Macro, Color Temperature, Strobe                                  |
|                | 1 RGBA  | 4-channel: RGBA  |
|                | 1 RGBA EXT  | 9-channel: 16-bit Dimmer, RGBA, Color Macro, Color Temperature, Strobe                                 |
|                | 1 RGBAW   | 5-channel: RGBAW   |
|                | 1 RGBAW EXT   | 10-channel: 16-bit Dimmer, RGBAW, Color Macro, Color Temperature, Strobe                               |
|                | 1 RGBAW FIN   | 10-channel: 16-bit RGBAW   |
|                | 1 RGBAW FUL   | 16-channel: 16-bit Dimmer, 16-bit RGBAW, Color Macro, Color Temperature, Strobe, Dimmer Speed          |
|                | 1 HSIC  | 8-channel: Dimmer, 16-bit Hue, Saturation, Strobe, Color Macro, Color Temperature, Dimmer Speed        |
|                | 3 RGB   | 9-channel (3-cell): RGB  |
|                | 3 RGB EXT   | 21-channel (3-cell): 16-bit Dimmer, RGB, Color Macro, Color Temperature, Strobe                        |
|                | 3 RGBA  | 12-channel (3-cell): RGBA  |
|                | 3 RGBA EXT  | 24-channel (3-cell): 16-bit Dimmer, RGBA, Color Macro, Color Temperature, Strobe                       |
|                | 3 RGBAW   | 15-channel (3-cell): RGBAW   |
|                | 3 RGBAW EXT   | 27-channel (3-cell): 16-bit Dimmer, RGBAW, Color Macro, Color Temperature, Strobe                      |
|                | 3 RGBAW FIN   | 30-channel (3-cell): 16-bit RGBAW  |
|                | 3 RGBAW FUL   | 43-channel (3-cell): 16-bit Dimmer, 16-bit RGBAW, Color Macro, Color Temperature, Strobe, Dimmer Speed |
| 3 HSIC         | 22-channel (3-cell): Dimmer, 16-bit Hue, Saturation, Strobe, Color Macro, Color Temperature, Dimmer Speed |  |
| Output Setting | Power Mode  | Avoids going over the maximum temperature by adjusting output intensity                                |
|                | Steady Mode   | Uses lower output intensity at a constant rate to avoid going over the maximum temperature             |
|                | Legacy Mode   | Matches output intensity of COLORado Batten 72 Tour  |

| Main Level    | Programming Levels       |                    |               | Description   |                                    |
|---------------|--------------------------|--------------------|---------------|---|------------------------------------|
| Static Colors | Preset Colors            | Color 1–14         | Dimmer 0–100% | Preset static colors  |                                    |
|               | CCT Temper               | White 1–14         |               | Preset color temperatures   |                                    |
|               | RGBAW                    | Red                | Red 0–255     | Combine red, green, blue, amber, and white to make a custom color |                                    |
|               |                          | Green              | Green 0–255   |   |                                    |
|               |                          | Blue               | Blue 0–255    |   |                                    |
| Amber         |                          | Amber 0–255        |               |   |                                    |
| White         | White 0–255              |                    |               |   |                                    |
| Auto Programs | Run                      | AUTO.1–10          | Speed 0–100   | Selects automatic programs and program speed                      |                                    |
|               |                          | Program 1–10       |               |   |                                    |
|               | Edit                     | Program 1–10       | SCENE-01–30   | Red 0–255   | Selects and edits a custom program |
|               |                          |                    |               | Green 0–255   |                                    |
|               |                          |                    |               | Blue 0–255  |                                    |
| Amber 0–255   |                          |                    |               |   |                                    |
| White 0–255   |                          |                    |               |   |                                    |
| Master/Slave  | Master                   |                    |               | DMX mode (Master)   |                                    |
|               | Slave                    |                    |               | Slave mode  |                                    |
| Dimmer Mode   | OFF                      |                    |               | Linear dimmer   |                                    |
|               | DIM1–4                   |                    |               | Dimming curves <b>DIM1</b> (fast) to <b>DIM4</b> (slow)           |                                    |
| LED Frequency | 600Hz                    |                    |               | Sets the PWM frequency  |                                    |
|               | 1200Hz                   |                    |               |   |                                    |
|               | 2000Hz                   |                    |               |   |                                    |
|               | 2400Hz                   |                    |               |   |                                    |
|               | 4000Hz                   |                    |               |   |                                    |
|               | 25000Hz                  |                    |               |   |                                    |
| Cell Order    | 1 – 3                    |                    |               | Sets order of cells   |                                    |
|               | 3 – 1                    |                    |               |   |                                    |
| Setting       | ****<br>(Enter Passcode) | DMX Error/<br>Loss | Hold Last     | Continues last command upon loss of DMX                           |                                    |
|               |                          |                    | Blackout      | Blacks out product upon loss of DMX                               |                                    |
|               |                          | Disp<br>TimeOut    | On            | Display backlight always on                                       |                                    |
|               |                          |                    | 10s           | Turns off display backlight after 10 seconds of inactivity        |                                    |
|               |                          |                    | 20s           | Turns off display backlight after 20 seconds of inactivity        |                                    |
|               |                          |                    | 30s           | Turns off display backlight after 30 seconds of inactivity        |                                    |
|               |                          | Disp<br>Passcode   | On            | Locks display (passcode is <UP>, <DOWN>, <UP>, <DOWN>, <ENTER>)   |                                    |
| Off           |                          |                    |               |   |                                    |
| Information   | Fixture Hours            |                    | ___ _ Hours   | Shows total hours the product has been powered on                 |                                    |
|               | Firmware Vers            |                    | V_ _          | Shows current firmware version                                    |                                    |
|               | RDM                      | UID                | _____         | Shows product UID   |                                    |
|               |                          | LABEL              | Batten 72X    | Shows RDM label   |                                    |
| Factory Reset | No                       |                    |               | Resets the product to factory default settings                    |                                    |
|               | Yes                      |                    |               |   |                                    |

**3-Cell DMX Values**

**3 HSIC (22 Channels)**

| Channel   | Function             | Value     | Percent/Setting                         |
|-----------|----------------------|-----------|---|
| 1         | Dimmer 1             | 000 ⇄ 255 | 0–100%                                  |
| 2         | Hue 1                | 000 ⇄ 255 | 0–100%                                  |
| 3         | Fine Hue 1           | 000 ⇄ 255 | 0–100%                                  |
| 4         | Saturation 1         | 000 ⇄ 255 | 0–100%                                  |
| 5         | Strobe 1             | 000 ⇄ 009 | No function                             |
|           |                      | 010 ⇄ 099 | Strobe, slow to fast                    |
|           |                      | 100 ⇄ 109 | No function                             |
|           |                      | 110 ⇄ 179 | Pulse strobe, slow to fast              |
|           |                      | 180 ⇄ 189 | No function                             |
|           |                      | 190 ⇄ 255 | Random strobe, slow to fast             |
| 6         | Color Macros 1       | 000 ⇄ 010 | No function                             |
|           |                      | 011 ⇄ 034 | R: 100% G: 0–100% B: 0% A: 0% W: 0%     |
|           |                      | 035 ⇄ 059 | R: 100–0% G: 100% B: 0% A: 0% W: 0%     |
|           |                      | 060 ⇄ 084 | R: 0% G: 100% B: 0–100% A: 0% W: 0%     |
|           |                      | 084 ⇄ 109 | R: 0% G: 100–0% B: 100% A: 0% W: 0%     |
|           |                      | 110 ⇄ 134 | R: 0–100% G: 0% B: 100% A: 0% W: 0%     |
|           |                      | 134 ⇄ 159 | R: 100% G: 0% B: 100–0% A: 0% W: 0%     |
|           |                      | 160 ⇄ 184 | R: 100% G: 0–100% B: 0–100% A: 0% W: 0% |
|           |                      | 184 ⇄ 209 | R: 100–0% G: 100–0% B: 100% A: 0% W: 0% |
|           |                      | 210 ⇄ 255 | R: 100% G: 100% B: 100% A: 100% W: 100% |
| 7         | Color Temperatures 1 | 000 ⇄ 010 | No function                             |
|           |                      | 011 ⇄ 028 | White 1                                 |
|           |                      | 029 ⇄ 046 | White 2                                 |
|           |                      | 047 ⇄ 064 | White 3                                 |
|           |                      | 065 ⇄ 082 | White 4                                 |
|           |                      | 083 ⇄ 100 | White 5                                 |
|           |                      | 101 ⇄ 118 | White 6                                 |
|           |                      | 119 ⇄ 136 | White 7                                 |
|           |                      | 137 ⇄ 154 | White 8                                 |
|           |                      | 155 ⇄ 172 | White 9                                 |
|           |                      | 173 ⇄ 190 | White 10                                |
|           |                      | 191 ⇄ 208 | White 11                                |
|           |                      | 209 ⇄ 226 | White 12                                |
|           |                      | 227 ⇄ 244 | White 13                                |
| 245 ⇄ 255 | White 14             |           |   |
| 8         | Dimmer 2             | 000 ⇄ 255 | 0–100%                                  |
| 9         | Hue 2                | 000 ⇄ 255 | 0–100%                                  |
| 10        | Fine Hue 2           | 000 ⇄ 255 | 0–100%                                  |
| 11        | Saturation 2         | 000 ⇄ 255 | 0–100%                                  |
| 12        | Strobe 2             | 000 ⇄ 009 | No function                             |
|           |                      | 010 ⇄ 099 | Strobe, slow to fast                    |
|           |                      | 100 ⇄ 109 | No function                             |
|           |                      | 110 ⇄ 179 | Pulse strobe, slow to fast              |
|           |                      | 180 ⇄ 189 | No function                             |
|           |                      | 190 ⇄ 255 | Random strobe, slow to fast             |

| Channel   | Function                    | Value     | Percent/Setting                                     |
|-----------|-----------------------------|-----------|---|
| <b>13</b> | <b>Color Macros 2</b>       | 000 ⇔ 010 | No function   |
|           |                             | 011 ⇔ 034 | R: 100%    G: 0–100%    B: 0%    A: 0%    W: 0%     |
|           |                             | 035 ⇔ 059 | R: 100–0%    G: 100%    B: 0%    A: 0%    W: 0%     |
|           |                             | 060 ⇔ 084 | R: 0%    G: 100%    B: 0–100%    A: 0%    W: 0%     |
|           |                             | 084 ⇔ 109 | R: 0%    G: 100–0%    B: 100%    A: 0%    W: 0%     |
|           |                             | 110 ⇔ 134 | R: 0–100%    G: 0%    B: 100%    A: 0%    W: 0%     |
|           |                             | 134 ⇔ 159 | R: 100%    G: 0%    B: 100–0%    A: 0%    W: 0%     |
|           |                             | 160 ⇔ 184 | R: 100%    G: 0–100%    B: 0–100%    A: 0%    W: 0% |
|           |                             | 184 ⇔ 209 | R: 100–0%    G: 100–0%    B: 100%    A: 0%    W: 0% |
|           |                             | 210 ⇔ 255 | R: 100%    G: 100%    B: 100%    A: 100%    W: 100% |
| <b>14</b> | <b>Color Temperatures 2</b> | 000 ⇔ 010 | No function   |
|           |                             | 011 ⇔ 028 | White 1   |
|           |                             | 029 ⇔ 046 | White 2   |
|           |                             | 047 ⇔ 064 | White 3   |
|           |                             | 065 ⇔ 082 | White 4   |
|           |                             | 083 ⇔ 100 | White 5   |
|           |                             | 101 ⇔ 118 | White 6   |
|           |                             | 119 ⇔ 136 | White 7   |
|           |                             | 137 ⇔ 154 | White 8   |
|           |                             | 155 ⇔ 172 | White 9   |
|           |                             | 173 ⇔ 190 | White 10  |
|           |                             | 191 ⇔ 208 | White 11  |
|           |                             | 209 ⇔ 226 | White 12  |
|           |                             | 227 ⇔ 244 | White 13  |
| 245 ⇔ 255 | White 14                    |           |   |
| <b>15</b> | <b>Dimmer 3</b>             | 000 ⇔ 255 | 0–100%  |
| <b>16</b> | <b>Hue 3</b>                | 000 ⇔ 255 | 0–100%  |
| <b>17</b> | <b>Fine Hue 3</b>           | 000 ⇔ 255 | 0–100%  |
| <b>18</b> | <b>Saturation 3</b>         | 000 ⇔ 255 | 0–100%  |
| <b>19</b> | <b>Strobe 3</b>             | 000 ⇔ 009 | No function   |
|           |                             | 010 ⇔ 099 | Strobe, slow to fast                                |
|           |                             | 100 ⇔ 109 | No function   |
|           |                             | 110 ⇔ 179 | Pulse strobe, slow to fast                          |
|           |                             | 180 ⇔ 189 | No function   |
|           |                             | 190 ⇔ 255 | Random strobe, slow to fast                         |
| <b>20</b> | <b>Color Macros 3</b>       | 000 ⇔ 010 | No function   |
|           |                             | 011 ⇔ 034 | R: 100%    G: 0–100%    B: 0%    A: 0%    W: 0%     |
|           |                             | 035 ⇔ 059 | R: 100–0%    G: 100%    B: 0%    A: 0%    W: 0%     |
|           |                             | 060 ⇔ 084 | R: 0%    G: 100%    B: 0–100%    A: 0%    W: 0%     |
|           |                             | 084 ⇔ 109 | R: 0%    G: 100–0%    B: 100%    A: 0%    W: 0%     |
|           |                             | 110 ⇔ 134 | R: 0–100%    G: 0%    B: 100%    A: 0%    W: 0%     |
|           |                             | 134 ⇔ 159 | R: 100%    G: 0%    B: 100–0%    A: 0%    W: 0%     |
|           |                             | 160 ⇔ 184 | R: 100%    G: 0–100%    B: 0–100%    A: 0%    W: 0% |
|           |                             | 184 ⇔ 209 | R: 100–0%    G: 100–0%    B: 100%    A: 0%    W: 0% |
|           |                             | 210 ⇔ 255 | R: 100%    G: 100%    B: 100%    A: 100%    W: 100% |

| Channel   | Function             | Value     | Percent/Setting                       |
|-----------|----------------------|-----------|---------------------------------------|
| 21        | Color Temperatures 3 | 000 ⇔ 010 | No function                           |
|           |                      | 011 ⇔ 028 | White 1                               |
|           |                      | 029 ⇔ 046 | White 2                               |
|           |                      | 047 ⇔ 064 | White 3                               |
|           |                      | 065 ⇔ 082 | White 4                               |
|           |                      | 083 ⇔ 100 | White 5                               |
|           |                      | 101 ⇔ 118 | White 6                               |
|           |                      | 119 ⇔ 136 | White 7                               |
|           |                      | 137 ⇔ 154 | White 8                               |
|           |                      | 155 ⇔ 172 | White 9                               |
|           |                      | 173 ⇔ 190 | White 10                              |
|           |                      | 191 ⇔ 208 | White 11                              |
|           |                      | 209 ⇔ 226 | White 12                              |
|           |                      | 227 ⇔ 244 | White 13                              |
| 245 ⇔ 255 | White 14             |           |                                       |
| 22        | Dimmer Speed         | 000 ⇔ 009 | Preset dimmer speed from display menu |
|           |                      | 010 ⇔ 029 | Dimmer speed mode off                 |
|           |                      | 030 ⇔ 069 | Dimmer speed mode 1 (fastest)         |
|           |                      | 070 ⇔ 129 | Dimmer speed mode 2                   |
|           |                      | 130 ⇔ 189 | Dimmer speed mode 3                   |
|           |                      | 190 ⇔ 255 | Dimmer speed mode 4 (slowest)         |

3 RGBAW FUL (43 Channels)

| Channel   | Function  | Value     | Percent/Setting                                     |
|-----------|---|-----------|---|
| 1         | Dimmer  | 000 ⇔ 255 | 0–100%  |
| 2         | Fine Dimmer   | 000 ⇔ 255 | 0–100%  |
| 3         | Red 1   | 000 ⇔ 255 | 0–100%  |
| 4         | Fine Red 1  | 000 ⇔ 255 | 0–100%  |
| 5         | Green 1   | 000 ⇔ 255 | 0–100%  |
| 6         | Fine Green 1  | 000 ⇔ 255 | 0–100%  |
| 7         | Blue 1  | 000 ⇔ 255 | 0–100%  |
| 8         | Fine Blue 1   | 000 ⇔ 255 | 0–100%  |
| 9         | Amber 1   | 000 ⇔ 255 | 0–100%  |
| 10        | Fine Amber 1  | 000 ⇔ 255 | 0–100%  |
| 11        | White 1   | 000 ⇔ 255 | 0–100%  |
| 12        | Fine White 1  | 000 ⇔ 255 | 0–100%  |
| 13        | Color Macros 1                                      | 000 ⇔ 010 | No function   |
|           |   | 011 ⇔ 034 | R: 100%    G: 0–100%    B: 0%    A: 0%    W: 0%     |
|           |   | 035 ⇔ 059 | R: 100–0%    G: 100%    B: 0%    A: 0%    W: 0%     |
|           |   | 060 ⇔ 084 | R: 0%    G: 100%    B: 0–100%    A: 0%    W: 0%     |
|           |   | 084 ⇔ 109 | R: 0%    G: 100–0%    B: 100%    A: 0%    W: 0%     |
|           |   | 110 ⇔ 134 | R: 0–100%    G: 0%    B: 100%    A: 0%    W: 0%     |
|           |   | 134 ⇔ 159 | R: 100%    G: 0%    B: 100–0%    A: 0%    W: 0%     |
|           |   | 160 ⇔ 184 | R: 100%    G: 0–100%    B: 0–100%    A: 0%    W: 0% |
|           |   | 184 ⇔ 209 | R: 100–0%    G: 100–0%    B: 100%    A: 0%    W: 0% |
| 210 ⇔ 255 | R: 100%    G: 100%    B: 100%    A: 100%    W: 100% |           |   |



| Channel   | Function             | Value     | Percent/Setting                                     |
|-----------|----------------------|-----------|---|
| 14        | Color Temperatures 1 | 000 ⇔ 010 | No function   |
|           |                      | 011 ⇔ 028 | White 1   |
|           |                      | 029 ⇔ 046 | White 2   |
|           |                      | 047 ⇔ 064 | White 3   |
|           |                      | 065 ⇔ 082 | White 4   |
|           |                      | 083 ⇔ 100 | White 5   |
|           |                      | 101 ⇔ 118 | White 6   |
|           |                      | 119 ⇔ 136 | White 7   |
|           |                      | 137 ⇔ 154 | White 8   |
|           |                      | 155 ⇔ 172 | White 9   |
|           |                      | 173 ⇔ 190 | White 10  |
|           |                      | 191 ⇔ 208 | White 11  |
|           |                      | 209 ⇔ 226 | White 12  |
|           |                      | 227 ⇔ 244 | White 13  |
| 245 ⇔ 255 | White 14             |           |   |
| 15        | Strobe 1             | 000 ⇔ 009 | No function   |
|           |                      | 010 ⇔ 099 | Strobe, slow to fast                                |
|           |                      | 100 ⇔ 109 | No function   |
|           |                      | 110 ⇔ 179 | Pulse strobe, slow to fast                          |
|           |                      | 180 ⇔ 189 | No function   |
|           |                      | 190 ⇔ 255 | Random strobe, slow to fast                         |
| 16        | Red 2                | 000 ⇔ 255 | 0–100%  |
| 17        | Fine Red 2           | 000 ⇔ 255 | 0–100%  |
| 18        | Green 2              | 000 ⇔ 255 | 0–100%  |
| 19        | Fine Green 2         | 000 ⇔ 255 | 0–100%  |
| 20        | Blue 2               | 000 ⇔ 255 | 0–100%  |
| 21        | Fine Blue 2          | 000 ⇔ 255 | 0–100%  |
| 22        | Amber 2              | 000 ⇔ 255 | 0–100%  |
| 23        | Fine Amber 2         | 000 ⇔ 255 | 0–100%  |
| 24        | White 2              | 000 ⇔ 255 | 0–100%  |
| 25        | Fine White 2         | 000 ⇔ 255 | 0–100%  |
| 26        | Color Macros 2       | 000 ⇔ 010 | No function   |
|           |                      | 011 ⇔ 034 | R: 100%    G: 0–100%    B: 0%    A: 0%    W: 0%     |
|           |                      | 035 ⇔ 059 | R: 100–0%    G: 100%    B: 0%    A: 0%    W: 0%     |
|           |                      | 060 ⇔ 084 | R: 0%    G: 100%    B: 0–100%    A: 0%    W: 0%     |
|           |                      | 084 ⇔ 109 | R: 0%    G: 100–0%    B: 100%    A: 0%    W: 0%     |
|           |                      | 110 ⇔ 134 | R: 0–100%    G: 0%    B: 100%    A: 0%    W: 0%     |
|           |                      | 134 ⇔ 159 | R: 100%    G: 0%    B: 100–0%    A: 0%    W: 0%     |
|           |                      | 160 ⇔ 184 | R: 100%    G: 0–100%    B: 0–100%    A: 0%    W: 0% |
|           |                      | 184 ⇔ 209 | R: 100–0%    G: 100–0%    B: 100%    A: 0%    W: 0% |
|           |                      | 210 ⇔ 255 | R: 100%    G: 100%    B: 100%    A: 100%    W: 100% |

| Channel   | Function             | Value     | Percent/Setting                                     |
|-----------|----------------------|-----------|---|
| 27        | Color Temperatures 2 | 000 ⇄ 010 | No function   |
|           |                      | 011 ⇄ 028 | White 1   |
|           |                      | 029 ⇄ 046 | White 2   |
|           |                      | 047 ⇄ 064 | White 3   |
|           |                      | 065 ⇄ 082 | White 4   |
|           |                      | 083 ⇄ 100 | White 5   |
|           |                      | 101 ⇄ 118 | White 6   |
|           |                      | 119 ⇄ 136 | White 7   |
|           |                      | 137 ⇄ 154 | White 8   |
|           |                      | 155 ⇄ 172 | White 9   |
|           |                      | 173 ⇄ 190 | White 10  |
|           |                      | 191 ⇄ 208 | White 11  |
|           |                      | 209 ⇄ 226 | White 12  |
|           |                      | 227 ⇄ 244 | White 13  |
| 245 ⇄ 255 | White 14             |           |   |
| 28        | Strobe 2             | 000 ⇄ 009 | No function   |
|           |                      | 010 ⇄ 099 | Strobe, slow to fast                                |
|           |                      | 100 ⇄ 109 | No function   |
|           |                      | 110 ⇄ 179 | Pulse strobe, slow to fast                          |
|           |                      | 180 ⇄ 189 | No function   |
|           |                      | 190 ⇄ 255 | Random strobe, slow to fast                         |
| 29        | Red 3                | 000 ⇄ 255 | 0–100%  |
| 30        | Fine Red 3           | 000 ⇄ 255 | 0–100%  |
| 31        | Green 3              | 000 ⇄ 255 | 0–100%  |
| 32        | Fine Green 3         | 000 ⇄ 255 | 0–100%  |
| 33        | Blue 3               | 000 ⇄ 255 | 0–100%  |
| 34        | Fine Blue 3          | 000 ⇄ 255 | 0–100%  |
| 35        | Amber 3              | 000 ⇄ 255 | 0–100%  |
| 36        | Fine Amber 3         | 000 ⇄ 255 | 0–100%  |
| 37        | White 3              | 000 ⇄ 255 | 0–100%  |
| 38        | Fine White 3         | 000 ⇄ 255 | 0–100%  |
| 39        | Color Macros 3       | 000 ⇄ 010 | No function   |
|           |                      | 011 ⇄ 034 | R: 100%    G: 0–100%    B: 0%    A: 0%    W: 0%     |
|           |                      | 035 ⇄ 059 | R: 100–0%    G: 100%    B: 0%    A: 0%    W: 0%     |
|           |                      | 060 ⇄ 084 | R: 0%    G: 100%    B: 0–100%    A: 0%    W: 0%     |
|           |                      | 084 ⇄ 109 | R: 0%    G: 100–0%    B: 100%    A: 0%    W: 0%     |
|           |                      | 110 ⇄ 134 | R: 0–100%    G: 0%    B: 100%    A: 0%    W: 0%     |
|           |                      | 134 ⇄ 159 | R: 100%    G: 0%    B: 100–0%    A: 0%    W: 0%     |
|           |                      | 160 ⇄ 184 | R: 100%    G: 0–100%    B: 0–100%    A: 0%    W: 0% |
|           |                      | 184 ⇄ 209 | R: 100–0%    G: 100–0%    B: 100%    A: 0%    W: 0% |
|           |                      | 210 ⇄ 255 | R: 100%    G: 100%    B: 100%    A: 100%    W: 100% |

| Channel   | Function                    | Value     | Percent/Setting                       |
|-----------|-----------------------------|-----------|---------------------------------------|
| <b>40</b> | <b>Color Temperatures 3</b> | 000 ⇔ 010 | No function                           |
|           |                             | 011 ⇔ 028 | White 1                               |
|           |                             | 029 ⇔ 046 | White 2                               |
|           |                             | 047 ⇔ 064 | White 3                               |
|           |                             | 065 ⇔ 082 | White 4                               |
|           |                             | 083 ⇔ 100 | White 5                               |
|           |                             | 101 ⇔ 118 | White 6                               |
|           |                             | 119 ⇔ 136 | White 7                               |
|           |                             | 137 ⇔ 154 | White 8                               |
|           |                             | 155 ⇔ 172 | White 9                               |
|           |                             | 173 ⇔ 190 | White 10                              |
|           |                             | 191 ⇔ 208 | White 11                              |
|           |                             | 209 ⇔ 226 | White 12                              |
|           |                             | 227 ⇔ 244 | White 13                              |
| 245 ⇔ 255 | White 14                    |           |                                       |
| <b>41</b> | <b>Strobe 3</b>             | 000 ⇔ 009 | No function                           |
|           |                             | 010 ⇔ 099 | Strobe, slow to fast                  |
|           |                             | 100 ⇔ 109 | No function                           |
|           |                             | 110 ⇔ 179 | Pulse strobe, slow to fast            |
|           |                             | 180 ⇔ 189 | No function                           |
|           |                             | 190 ⇔ 255 | Random strobe, slow to fast           |
| <b>42</b> | <b>Strobe All</b>           | 000 ⇔ 009 | No function                           |
|           |                             | 010 ⇔ 099 | Strobe, slow to fast                  |
|           |                             | 100 ⇔ 109 | No function                           |
|           |                             | 110 ⇔ 179 | Pulse strobe, slow to fast            |
|           |                             | 180 ⇔ 189 | No function                           |
|           |                             | 190 ⇔ 255 | Random strobe, slow to fast           |
| <b>43</b> | <b>Dimmer Speed</b>         | 000 ⇔ 009 | Preset dimmer speed from display menu |
|           |                             | 010 ⇔ 029 | Dimmer speed mode off                 |
|           |                             | 030 ⇔ 069 | Dimmer speed mode 1 (fastest)         |
|           |                             | 070 ⇔ 129 | Dimmer speed mode 2                   |
|           |                             | 130 ⇔ 189 | Dimmer speed mode 3                   |
|           |                             | 190 ⇔ 255 | Dimmer speed mode 4 (slowest)         |

**3 RGBAW FIN (30 Channels)**

| Channel   | Function            | Value     | Percent/Setting |
|-----------|---------------------|-----------|-----------------|
| <b>1</b>  | <b>Red 1</b>        | 000 ⇔ 255 | 0–100%          |
| <b>2</b>  | <b>Fine Red 1</b>   | 000 ⇔ 255 | 0–100%          |
| <b>3</b>  | <b>Green 1</b>      | 000 ⇔ 255 | 0–100%          |
| <b>4</b>  | <b>Fine Green 1</b> | 000 ⇔ 255 | 0–100%          |
| <b>5</b>  | <b>Blue 1</b>       | 000 ⇔ 255 | 0–100%          |
| <b>6</b>  | <b>Fine Blue 1</b>  | 000 ⇔ 255 | 0–100%          |
| <b>7</b>  | <b>Amber 1</b>      | 000 ⇔ 255 | 0–100%          |
| <b>8</b>  | <b>Fine Amber 1</b> | 000 ⇔ 255 | 0–100%          |
| <b>9</b>  | <b>White 1</b>      | 000 ⇔ 255 | 0–100%          |
| <b>10</b> | <b>Fine White 1</b> | 000 ⇔ 255 | 0–100%          |
| <b>11</b> | <b>Red 2</b>        | 000 ⇔ 255 | 0–100%          |
| <b>12</b> | <b>Fine Red 2</b>   | 000 ⇔ 255 | 0–100%          |
| <b>13</b> | <b>Green 2</b>      | 000 ⇔ 255 | 0–100%          |
| <b>14</b> | <b>Fine Green 2</b> | 000 ⇔ 255 | 0–100%          |
| <b>15</b> | <b>Blue 2</b>       | 000 ⇔ 255 | 0–100%          |
| <b>16</b> | <b>Fine Blue 2</b>  | 000 ⇔ 255 | 0–100%          |
| <b>17</b> | <b>Amber 2</b>      | 000 ⇔ 255 | 0–100%          |
| <b>18</b> | <b>Fine Amber 2</b> | 000 ⇔ 255 | 0–100%          |
| <b>19</b> | <b>White 2</b>      | 000 ⇔ 255 | 0–100%          |

| Channel | Function     | Value     | Percent/Setting |
|---------|--------------|-----------|-----------------|
| 20      | Fine White 2 | 000 ⇄ 255 | 0–100%          |
| 21      | Red 3        | 000 ⇄ 255 | 0–100%          |
| 22      | Fine Red 3   | 000 ⇄ 255 | 0–100%          |
| 23      | Green 3      | 000 ⇄ 255 | 0–100%          |
| 24      | Fine Green 3 | 000 ⇄ 255 | 0–100%          |
| 25      | Blue 3       | 000 ⇄ 255 | 0–100%          |
| 26      | Fine Blue 3  | 000 ⇄ 255 | 0–100%          |
| 27      | Amber 3      | 000 ⇄ 255 | 0–100%          |
| 28      | Fine Amber 3 | 000 ⇄ 255 | 0–100%          |
| 29      | White 3      | 000 ⇄ 255 | 0–100%          |
| 30      | Fine White 3 | 000 ⇄ 255 | 0–100%          |

**3 RGBAW EXT (27 Channels)**

| Channel   | Function  | Value     | Percent/Setting                                     |
|-----------|---|-----------|---|
| 1         | Dimmer  | 000 ⇄ 255 | 0–100%  |
| 2         | Fine Dimmer   | 000 ⇄ 255 | 0–100%  |
| 3         | Red 1   | 000 ⇄ 255 | 0–100%  |
| 4         | Green 1   | 000 ⇄ 255 | 0–100%  |
| 5         | Blue 1  | 000 ⇄ 255 | 0–100%  |
| 6         | Amber 1   | 000 ⇄ 255 | 0–100%  |
| 7         | White 1   | 000 ⇄ 255 | 0–100%  |
| 8         | Color Macros 1                                      | 000 ⇄ 010 | No function   |
|           |   | 011 ⇄ 034 | R: 100%    G: 0–100%    B: 0%    A: 0%    W: 0%     |
|           |   | 035 ⇄ 059 | R: 100–0%    G: 100%    B: 0%    A: 0%    W: 0%     |
|           |   | 060 ⇄ 084 | R: 0%    G: 100%    B: 0–100%    A: 0%    W: 0%     |
|           |   | 084 ⇄ 109 | R: 0%    G: 100–0%    B: 100%    A: 0%    W: 0%     |
|           |   | 110 ⇄ 134 | R: 0–100%    G: 0%    B: 100%    A: 0%    W: 0%     |
|           |   | 134 ⇄ 159 | R: 100%    G: 0%    B: 100–0%    A: 0%    W: 0%     |
|           |   | 160 ⇄ 184 | R: 100%    G: 0–100%    B: 0–100%    A: 0%    W: 0% |
|           |   | 184 ⇄ 209 | R: 100–0%    G: 100–0%    B: 100%    A: 0%    W: 0% |
| 210 ⇄ 255 | R: 100%    G: 100%    B: 100%    A: 100%    W: 100% |           |   |
| 9         | Color Temperatures 1                                | 000 ⇄ 010 | No function   |
|           |   | 011 ⇄ 028 | White 1   |
|           |   | 029 ⇄ 046 | White 2   |
|           |   | 047 ⇄ 064 | White 3   |
|           |   | 065 ⇄ 082 | White 4   |
|           |   | 083 ⇄ 100 | White 5   |
|           |   | 101 ⇄ 118 | White 6   |
|           |   | 119 ⇄ 136 | White 7   |
|           |   | 137 ⇄ 154 | White 8   |
|           |   | 155 ⇄ 172 | White 9   |
|           |   | 173 ⇄ 190 | White 10  |
|           |   | 191 ⇄ 208 | White 11  |
|           |   | 209 ⇄ 226 | White 12  |
|           |   | 227 ⇄ 244 | White 13  |
| 245 ⇄ 255 | White 14  |           |   |
| 10        | Strobe 1  | 000 ⇄ 009 | No function   |
|           |   | 010 ⇄ 099 | Strobe, slow to fast                                |
|           |   | 100 ⇄ 109 | No function   |
|           |   | 110 ⇄ 179 | Pulse strobe, slow to fast                          |
|           |   | 180 ⇄ 189 | No function   |
|           |   | 190 ⇄ 255 | Random strobe, slow to fast                         |
| 11        | Red 2   | 000 ⇄ 255 | 0–100%  |
| 12        | Green 2   | 000 ⇄ 255 | 0–100%  |
| 13        | Blue 2  | 000 ⇄ 255 | 0–100%  |

| Channel | Function             | Value     | Percent/Setting                         |
|---------|----------------------|-----------|---|
| 14      | Amber 2              | 000 ⇔ 255 | 0–100%                                  |
| 15      | White 2              | 000 ⇔ 255 | 0–100%                                  |
| 16      | Color Macros 2       | 000 ⇔ 010 | No function                             |
|         |                      | 011 ⇔ 034 | R: 100% G: 0–100% B: 0% A: 0% W: 0%     |
|         |                      | 035 ⇔ 059 | R: 100–0% G: 100% B: 0% A: 0% W: 0%     |
|         |                      | 060 ⇔ 084 | R: 0% G: 100% B: 0–100% A: 0% W: 0%     |
|         |                      | 084 ⇔ 109 | R: 0% G: 100–0% B: 100% A: 0% W: 0%     |
|         |                      | 110 ⇔ 134 | R: 0–100% G: 0% B: 100% A: 0% W: 0%     |
|         |                      | 134 ⇔ 159 | R: 100% G: 0% B: 100–0% A: 0% W: 0%     |
|         |                      | 160 ⇔ 184 | R: 100% G: 0–100% B: 0–100% A: 0% W: 0% |
|         |                      | 184 ⇔ 209 | R: 100–0% G: 100–0% B: 100% A: 0% W: 0% |
|         |                      | 210 ⇔ 255 | R: 100% G: 100% B: 100% A: 100% W: 100% |
| 17      | Color Temperatures 2 | 000 ⇔ 010 | No function                             |
|         |                      | 011 ⇔ 028 | White 1                                 |
|         |                      | 029 ⇔ 046 | White 2                                 |
|         |                      | 047 ⇔ 064 | White 3                                 |
|         |                      | 065 ⇔ 082 | White 4                                 |
|         |                      | 083 ⇔ 100 | White 5                                 |
|         |                      | 101 ⇔ 118 | White 6                                 |
|         |                      | 119 ⇔ 136 | White 7                                 |
|         |                      | 137 ⇔ 154 | White 8                                 |
|         |                      | 155 ⇔ 172 | White 9                                 |
|         |                      | 173 ⇔ 190 | White 10                                |
|         |                      | 191 ⇔ 208 | White 11                                |
|         |                      | 209 ⇔ 226 | White 12                                |
|         |                      | 227 ⇔ 244 | White 13                                |
|         |                      | 245 ⇔ 255 | White 14                                |
| 18      | Strobe 2             | 000 ⇔ 009 | No function                             |
|         |                      | 010 ⇔ 099 | Strobe, slow to fast                    |
|         |                      | 100 ⇔ 109 | No function                             |
|         |                      | 110 ⇔ 179 | Pulse strobe, slow to fast              |
|         |                      | 180 ⇔ 189 | No function                             |
|         |                      | 190 ⇔ 255 | Random strobe, slow to fast             |
| 19      | Red 3                | 000 ⇔ 255 | 0–100%                                  |
| 20      | Green 3              | 000 ⇔ 255 | 0–100%                                  |
| 21      | Blue 3               | 000 ⇔ 255 | 0–100%                                  |
| 22      | Amber 3              | 000 ⇔ 255 | 0–100%                                  |
| 23      | White 3              | 000 ⇔ 255 | 0–100%                                  |
| 24      | Color Macros 3       | 000 ⇔ 010 | No function                             |
|         |                      | 011 ⇔ 034 | R: 100% G: 0–100% B: 0% A: 0% W: 0%     |
|         |                      | 035 ⇔ 059 | R: 100–0% G: 100% B: 0% A: 0% W: 0%     |
|         |                      | 060 ⇔ 084 | R: 0% G: 100% B: 0–100% A: 0% W: 0%     |
|         |                      | 084 ⇔ 109 | R: 0% G: 100–0% B: 100% A: 0% W: 0%     |
|         |                      | 110 ⇔ 134 | R: 0–100% G: 0% B: 100% A: 0% W: 0%     |
|         |                      | 134 ⇔ 159 | R: 100% G: 0% B: 100–0% A: 0% W: 0%     |
|         |                      | 160 ⇔ 184 | R: 100% G: 0–100% B: 0–100% A: 0% W: 0% |
|         |                      | 184 ⇔ 209 | R: 100–0% G: 100–0% B: 100% A: 0% W: 0% |
|         |                      | 210 ⇔ 255 | R: 100% G: 100% B: 100% A: 100% W: 100% |

| Channel   | Function             | Value     | Percent/Setting             |
|-----------|----------------------|-----------|-----------------------------|
| 25        | Color Temperatures 3 | 000 ⇄ 010 | No function                 |
|           |                      | 011 ⇄ 028 | White 1                     |
|           |                      | 029 ⇄ 046 | White 2                     |
|           |                      | 047 ⇄ 064 | White 3                     |
|           |                      | 065 ⇄ 082 | White 4                     |
|           |                      | 083 ⇄ 100 | White 5                     |
|           |                      | 101 ⇄ 118 | White 6                     |
|           |                      | 119 ⇄ 136 | White 7                     |
|           |                      | 137 ⇄ 154 | White 8                     |
|           |                      | 155 ⇄ 172 | White 9                     |
|           |                      | 173 ⇄ 190 | White 10                    |
|           |                      | 191 ⇄ 208 | White 11                    |
|           |                      | 209 ⇄ 226 | White 12                    |
|           |                      | 227 ⇄ 244 | White 13                    |
| 245 ⇄ 255 | White 14             |           |                             |
| 26        | Strobe 3             | 000 ⇄ 009 | No function                 |
|           |                      | 010 ⇄ 099 | Strobe, slow to fast        |
|           |                      | 100 ⇄ 109 | No function                 |
|           |                      | 110 ⇄ 179 | Pulse strobe, slow to fast  |
|           |                      | 180 ⇄ 189 | No function                 |
|           |                      | 190 ⇄ 255 | Random strobe, slow to fast |
| 27        | Strobe All           | 000 ⇄ 009 | No function                 |
|           |                      | 010 ⇄ 099 | Strobe, slow to fast        |
|           |                      | 100 ⇄ 109 | No function                 |
|           |                      | 110 ⇄ 179 | Pulse strobe, slow to fast  |
|           |                      | 180 ⇄ 189 | No function                 |
|           |                      | 190 ⇄ 255 | Random strobe, slow to fast |

3 RGBAW (15 Channels)

| Channel | Function | Value     | Percent/Setting |
|---------|----------|-----------|-----------------|
| 1       | Red 1    | 000 ⇄ 255 | 0–100%          |
| 2       | Green 1  | 000 ⇄ 255 | 0–100%          |
| 3       | Blue 1   | 000 ⇄ 255 | 0–100%          |
| 4       | Amber 1  | 000 ⇄ 255 | 0–100%          |
| 5       | White 1  | 000 ⇄ 255 | 0–100%          |
| 6       | Red 2    | 000 ⇄ 255 | 0–100%          |
| 7       | Green 2  | 000 ⇄ 255 | 0–100%          |
| 8       | Blue 2   | 000 ⇄ 255 | 0–100%          |
| 9       | Amber 2  | 000 ⇄ 255 | 0–100%          |
| 10      | White 2  | 000 ⇄ 255 | 0–100%          |
| 11      | Red 3    | 000 ⇄ 255 | 0–100%          |
| 12      | Green 3  | 000 ⇄ 255 | 0–100%          |
| 13      | Blue 3   | 000 ⇄ 255 | 0–100%          |
| 14      | Amber 3  | 000 ⇄ 255 | 0–100%          |
| 15      | White 3  | 000 ⇄ 255 | 0–100%          |

3 RGBA EXT (24 Channels)

| Channel | Function    | Value     | Percent/Setting |
|---------|-------------|-----------|-----------------|
| 1       | Dimmer      | 000 ⇄ 255 | 0–100%          |
| 2       | Fine Dimmer | 000 ⇄ 255 | 0–100%          |
| 3       | Red 1       | 000 ⇄ 255 | 0–100%          |
| 4       | Green 1     | 000 ⇄ 255 | 0–100%          |
| 5       | Blue 1      | 000 ⇄ 255 | 0–100%          |
| 6       | Amber 1     | 000 ⇄ 255 | 0–100%          |

| Channel   | Function                    | Value     | Percent/Setting                                     |
|-----------|-----------------------------|-----------|---|
| <b>7</b>  | <b>Color Macros 1</b>       | 000 ⇔ 010 | No function   |
|           |                             | 011 ⇔ 034 | R: 100%    G: 0–100%    B: 0%    A: 0%    W: 0%     |
|           |                             | 035 ⇔ 059 | R: 100–0%    G: 100%    B: 0%    A: 0%    W: 0%     |
|           |                             | 060 ⇔ 084 | R: 0%    G: 100%    B: 0–100%    A: 0%    W: 0%     |
|           |                             | 084 ⇔ 109 | R: 0%    G: 100–0%    B: 100%    A: 0%    W: 0%     |
|           |                             | 110 ⇔ 134 | R: 0–100%    G: 0%    B: 100%    A: 0%    W: 0%     |
|           |                             | 134 ⇔ 159 | R: 100%    G: 0%    B: 100–0%    A: 0%    W: 0%     |
|           |                             | 160 ⇔ 184 | R: 100%    G: 0–100%    B: 0–100%    A: 0%    W: 0% |
|           |                             | 184 ⇔ 209 | R: 100–0%    G: 100–0%    B: 100%    A: 0%    W: 0% |
|           |                             | 210 ⇔ 255 | R: 100%    G: 100%    B: 100%    A: 100%    W: 100% |
| <b>8</b>  | <b>Color Temperatures 1</b> | 000 ⇔ 010 | No function   |
|           |                             | 011 ⇔ 028 | White 1   |
|           |                             | 029 ⇔ 046 | White 2   |
|           |                             | 047 ⇔ 064 | White 3   |
|           |                             | 065 ⇔ 082 | White 4   |
|           |                             | 083 ⇔ 100 | White 5   |
|           |                             | 101 ⇔ 118 | White 6   |
|           |                             | 119 ⇔ 136 | White 7   |
|           |                             | 137 ⇔ 154 | White 8   |
|           |                             | 155 ⇔ 172 | White 9   |
|           |                             | 173 ⇔ 190 | White 10  |
|           |                             | 191 ⇔ 208 | White 11  |
|           |                             | 209 ⇔ 226 | White 12  |
|           |                             | 227 ⇔ 244 | White 13  |
| 245 ⇔ 255 | White 14                    |           |   |
| <b>9</b>  | <b>Strobe 1</b>             | 000 ⇔ 009 | No function   |
|           |                             | 010 ⇔ 099 | Strobe, slow to fast                                |
|           |                             | 100 ⇔ 109 | No function   |
|           |                             | 110 ⇔ 179 | Pulse strobe, slow to fast                          |
|           |                             | 180 ⇔ 189 | No function   |
|           |                             | 190 ⇔ 255 | Random strobe, slow to fast                         |
| <b>10</b> | <b>Red 2</b>                | 000 ⇔ 255 | 0–100%  |
| <b>11</b> | <b>Green 2</b>              | 000 ⇔ 255 | 0–100%  |
| <b>12</b> | <b>Blue 2</b>               | 000 ⇔ 255 | 0–100%  |
| <b>13</b> | <b>Amber 2</b>              | 000 ⇔ 255 | 0–100%  |
| <b>14</b> | <b>Color Macros 2</b>       | 000 ⇔ 010 | No function   |
|           |                             | 011 ⇔ 034 | R: 100%    G: 0–100%    B: 0%    A: 0%    W: 0%     |
|           |                             | 035 ⇔ 059 | R: 100–0%    G: 100%    B: 0%    A: 0%    W: 0%     |
|           |                             | 060 ⇔ 084 | R: 0%    G: 100%    B: 0–100%    A: 0%    W: 0%     |
|           |                             | 084 ⇔ 109 | R: 0%    G: 100–0%    B: 100%    A: 0%    W: 0%     |
|           |                             | 110 ⇔ 134 | R: 0–100%    G: 0%    B: 100%    A: 0%    W: 0%     |
|           |                             | 134 ⇔ 159 | R: 100%    G: 0%    B: 100–0%    A: 0%    W: 0%     |
|           |                             | 160 ⇔ 184 | R: 100%    G: 0–100%    B: 0–100%    A: 0%    W: 0% |
|           |                             | 184 ⇔ 209 | R: 100–0%    G: 100–0%    B: 100%    A: 0%    W: 0% |
|           |                             | 210 ⇔ 255 | R: 100%    G: 100%    B: 100%    A: 100%    W: 100% |

| Channel   | Function             | Value     | Percent/Setting                                     |
|-----------|----------------------|-----------|---|
| 15        | Color Temperatures 2 | 000 ⇄ 010 | No function   |
|           |                      | 011 ⇄ 028 | White 1   |
|           |                      | 029 ⇄ 046 | White 2   |
|           |                      | 047 ⇄ 064 | White 3   |
|           |                      | 065 ⇄ 082 | White 4   |
|           |                      | 083 ⇄ 100 | White 5   |
|           |                      | 101 ⇄ 118 | White 6   |
|           |                      | 119 ⇄ 136 | White 7   |
|           |                      | 137 ⇄ 154 | White 8   |
|           |                      | 155 ⇄ 172 | White 9   |
|           |                      | 173 ⇄ 190 | White 10  |
|           |                      | 191 ⇄ 208 | White 11  |
|           |                      | 209 ⇄ 226 | White 12  |
|           |                      | 227 ⇄ 244 | White 13  |
| 245 ⇄ 255 | White 14             |           |   |
| 16        | Strobe 2             | 000 ⇄ 009 | No function   |
|           |                      | 010 ⇄ 099 | Strobe, slow to fast                                |
|           |                      | 100 ⇄ 109 | No function   |
|           |                      | 110 ⇄ 179 | Pulse strobe, slow to fast                          |
|           |                      | 180 ⇄ 189 | No function   |
|           |                      | 190 ⇄ 255 | Random strobe, slow to fast                         |
| 17        | Red 3                | 000 ⇄ 255 | 0–100%  |
| 18        | Green 3              | 000 ⇄ 255 | 0–100%  |
| 19        | Blue 3               | 000 ⇄ 255 | 0–100%  |
| 20        | Amber 3              | 000 ⇄ 255 | 0–100%  |
| 21        | Color Macros 3       | 000 ⇄ 010 | No function   |
|           |                      | 011 ⇄ 034 | R: 100%    G: 0–100%    B: 0%    A: 0%    W: 0%     |
|           |                      | 035 ⇄ 059 | R: 100–0%    G: 100%    B: 0%    A: 0%    W: 0%     |
|           |                      | 060 ⇄ 084 | R: 0%    G: 100%    B: 0–100%    A: 0%    W: 0%     |
|           |                      | 084 ⇄ 109 | R: 0%    G: 100–0%    B: 100%    A: 0%    W: 0%     |
|           |                      | 110 ⇄ 134 | R: 0–100%    G: 0%    B: 100%    A: 0%    W: 0%     |
|           |                      | 134 ⇄ 159 | R: 100%    G: 0%    B: 100–0%    A: 0%    W: 0%     |
|           |                      | 160 ⇄ 184 | R: 100%    G: 0–100%    B: 0–100%    A: 0%    W: 0% |
|           |                      | 184 ⇄ 209 | R: 100–0%    G: 100–0%    B: 100%    A: 0%    W: 0% |
|           |                      | 210 ⇄ 255 | R: 100%    G: 100%    B: 100%    A: 100%    W: 100% |
| 22        | Color Temperatures 3 | 000 ⇄ 010 | No function   |
|           |                      | 011 ⇄ 028 | White 1   |
|           |                      | 029 ⇄ 046 | White 2   |
|           |                      | 047 ⇄ 064 | White 3   |
|           |                      | 065 ⇄ 082 | White 4   |
|           |                      | 083 ⇄ 100 | White 5   |
|           |                      | 101 ⇄ 118 | White 6   |
|           |                      | 119 ⇄ 136 | White 7   |
|           |                      | 137 ⇄ 154 | White 8   |
|           |                      | 155 ⇄ 172 | White 9   |
|           |                      | 173 ⇄ 190 | White 10  |
|           |                      | 191 ⇄ 208 | White 11  |
|           |                      | 209 ⇄ 226 | White 12  |
|           |                      | 227 ⇄ 244 | White 13  |
| 245 ⇄ 255 | White 14             |           |   |



| Channel | Function   | Value     | Percent/Setting             |
|---------|------------|-----------|-----------------------------|
| 23      | Strobe 3   | 000 ⇔ 009 | No function                 |
|         |            | 010 ⇔ 099 | Strobe, slow to fast        |
|         |            | 100 ⇔ 109 | No function                 |
|         |            | 110 ⇔ 179 | Pulse strobe, slow to fast  |
|         |            | 180 ⇔ 189 | No function                 |
|         |            | 190 ⇔ 255 | Random strobe, slow to fast |
| 24      | Strobe All | 000 ⇔ 009 | No function                 |
|         |            | 010 ⇔ 099 | Strobe, slow to fast        |
|         |            | 100 ⇔ 109 | No function                 |
|         |            | 110 ⇔ 179 | Pulse strobe, slow to fast  |
|         |            | 180 ⇔ 189 | No function                 |
|         |            | 190 ⇔ 255 | Random strobe, slow to fast |

**3 RGBA (12 Channels)**

| Channel | Function | Value     | Percent/Setting |
|---------|----------|-----------|-----------------|
| 1       | Red 1    | 000 ⇔ 255 | 0–100%          |
| 2       | Green 1  | 000 ⇔ 255 | 0–100%          |
| 3       | Blue 1   | 000 ⇔ 255 | 0–100%          |
| 4       | Amber 1  | 000 ⇔ 255 | 0–100%          |
| 5       | Red 2    | 000 ⇔ 255 | 0–100%          |
| 6       | Green 2  | 000 ⇔ 255 | 0–100%          |
| 7       | Blue 2   | 000 ⇔ 255 | 0–100%          |
| 8       | Amber 2  | 000 ⇔ 255 | 0–100%          |
| 9       | Red 3    | 000 ⇔ 255 | 0–100%          |
| 10      | Green 3  | 000 ⇔ 255 | 0–100%          |
| 11      | Blue 3   | 000 ⇔ 255 | 0–100%          |
| 12      | Amber 3  | 000 ⇔ 255 | 0–100%          |

**3 RGB EXT (21 Channels)**

| Channel   | Function  | Value     | Percent/Setting                                     |
|-----------|---|-----------|---|
| 1         | Dimmer  | 000 ⇔ 255 | 0–100%  |
| 2         | Fine Dimmer   | 000 ⇔ 255 | 0–100%  |
| 3         | Red 1   | 000 ⇔ 255 | 0–100%  |
| 4         | Green 1   | 000 ⇔ 255 | 0–100%  |
| 5         | Blue 1  | 000 ⇔ 255 | 0–100%  |
| 6         | Color Macros 1                                      | 000 ⇔ 010 | No function   |
|           |   | 011 ⇔ 034 | R: 100%    G: 0–100%    B: 0%    A: 0%    W: 0%     |
|           |   | 035 ⇔ 059 | R: 100–0%    G: 100%    B: 0%    A: 0%    W: 0%     |
|           |   | 060 ⇔ 084 | R: 0%    G: 100%    B: 0–100%    A: 0%    W: 0%     |
|           |   | 084 ⇔ 109 | R: 0%    G: 100–0%    B: 100%    A: 0%    W: 0%     |
|           |   | 110 ⇔ 134 | R: 0–100%    G: 0%    B: 100%    A: 0%    W: 0%     |
|           |   | 134 ⇔ 159 | R: 100%    G: 0%    B: 100–0%    A: 0%    W: 0%     |
|           |   | 160 ⇔ 184 | R: 100%    G: 0–100%    B: 0–100%    A: 0%    W: 0% |
|           |   | 184 ⇔ 209 | R: 100–0%    G: 100–0%    B: 100%    A: 0%    W: 0% |
| 210 ⇔ 255 | R: 100%    G: 100%    B: 100%    A: 100%    W: 100% |           |   |

| Channel   | Function             | Value     | Percent/Setting                         |
|-----------|----------------------|-----------|---|
| 7         | Color Temperatures 1 | 000 ⇄ 010 | No function                             |
|           |                      | 011 ⇄ 028 | White 1                                 |
|           |                      | 029 ⇄ 046 | White 2                                 |
|           |                      | 047 ⇄ 064 | White 3                                 |
|           |                      | 065 ⇄ 082 | White 4                                 |
|           |                      | 083 ⇄ 100 | White 5                                 |
|           |                      | 101 ⇄ 118 | White 6                                 |
|           |                      | 119 ⇄ 136 | White 7                                 |
|           |                      | 137 ⇄ 154 | White 8                                 |
|           |                      | 155 ⇄ 172 | White 9                                 |
|           |                      | 173 ⇄ 190 | White 10                                |
|           |                      | 191 ⇄ 208 | White 11                                |
|           |                      | 209 ⇄ 226 | White 12                                |
|           |                      | 227 ⇄ 244 | White 13                                |
| 245 ⇄ 255 | White 14             |           |   |
| 8         | Strobe 1             | 000 ⇄ 009 | No function                             |
|           |                      | 010 ⇄ 099 | Strobe, slow to fast                    |
|           |                      | 100 ⇄ 109 | No function                             |
|           |                      | 110 ⇄ 179 | Pulse strobe, slow to fast              |
|           |                      | 180 ⇄ 189 | No function                             |
|           |                      | 190 ⇄ 255 | Random strobe, slow to fast             |
| 9         | Red 2                | 000 ⇄ 255 | 0–100%                                  |
| 10        | Green 2              | 000 ⇄ 255 | 0–100%                                  |
| 11        | Blue 2               | 000 ⇄ 255 | 0–100%                                  |
| 12        | Color Macros 2       | 000 ⇄ 010 | No function                             |
|           |                      | 011 ⇄ 034 | R: 100% G: 0–100% B: 0% A: 0% W: 0%     |
|           |                      | 035 ⇄ 059 | R: 100–0% G: 100% B: 0% A: 0% W: 0%     |
|           |                      | 060 ⇄ 084 | R: 0% G: 100% B: 0–100% A: 0% W: 0%     |
|           |                      | 084 ⇄ 109 | R: 0% G: 100–0% B: 100% A: 0% W: 0%     |
|           |                      | 110 ⇄ 134 | R: 0–100% G: 0% B: 100% A: 0% W: 0%     |
|           |                      | 134 ⇄ 159 | R: 100% G: 0% B: 100–0% A: 0% W: 0%     |
|           |                      | 160 ⇄ 184 | R: 100% G: 0–100% B: 0–100% A: 0% W: 0% |
|           |                      | 184 ⇄ 209 | R: 100–0% G: 100–0% B: 100% A: 0% W: 0% |
|           |                      | 210 ⇄ 255 | R: 100% G: 100% B: 100% A: 100% W: 100% |
| 13        | Color Temperatures 2 | 000 ⇄ 010 | No function                             |
|           |                      | 011 ⇄ 028 | White 1                                 |
|           |                      | 029 ⇄ 046 | White 2                                 |
|           |                      | 047 ⇄ 064 | White 3                                 |
|           |                      | 065 ⇄ 082 | White 4                                 |
|           |                      | 083 ⇄ 100 | White 5                                 |
|           |                      | 101 ⇄ 118 | White 6                                 |
|           |                      | 119 ⇄ 136 | White 7                                 |
|           |                      | 137 ⇄ 154 | White 8                                 |
|           |                      | 155 ⇄ 172 | White 9                                 |
|           |                      | 173 ⇄ 190 | White 10                                |
|           |                      | 191 ⇄ 208 | White 11                                |
|           |                      | 209 ⇄ 226 | White 12                                |
|           |                      | 227 ⇄ 244 | White 13                                |
| 245 ⇄ 255 | White 14             |           |   |
| 14        | Strobe 2             | 000 ⇄ 009 | No function                             |
|           |                      | 010 ⇄ 099 | Strobe, slow to fast                    |
|           |                      | 100 ⇄ 109 | No function                             |
|           |                      | 110 ⇄ 179 | Pulse strobe, slow to fast              |
|           |                      | 180 ⇄ 189 | No function                             |
|           |                      | 190 ⇄ 255 | Random strobe, slow to fast             |

| Channel   | Function  | Value     | Percent/Setting                                     |
|-----------|---|-----------|---|
| 15        | Red 3   | 000 ⇔ 255 | 0–100%  |
| 16        | Green 3   | 000 ⇔ 255 | 0–100%  |
| 17        | Blue 3  | 000 ⇔ 255 | 0–100%  |
| 18        | Color Macros 3                                      | 000 ⇔ 010 | No function   |
|           |   | 011 ⇔ 034 | R: 100%    G: 0–100%    B: 0%    A: 0%    W: 0%     |
|           |   | 035 ⇔ 059 | R: 100–0%    G: 100%    B: 0%    A: 0%    W: 0%     |
|           |   | 060 ⇔ 084 | R: 0%    G: 100%    B: 0–100%    A: 0%    W: 0%     |
|           |   | 084 ⇔ 109 | R: 0%    G: 100–0%    B: 100%    A: 0%    W: 0%     |
|           |   | 110 ⇔ 134 | R: 0–100%    G: 0%    B: 100%    A: 0%    W: 0%     |
|           |   | 134 ⇔ 159 | R: 100%    G: 0%    B: 100–0%    A: 0%    W: 0%     |
|           |   | 160 ⇔ 184 | R: 100%    G: 0–100%    B: 0–100%    A: 0%    W: 0% |
|           |   | 184 ⇔ 209 | R: 100–0%    G: 100–0%    B: 100%    A: 0%    W: 0% |
| 210 ⇔ 255 | R: 100%    G: 100%    B: 100%    A: 100%    W: 100% |           |   |
| 19        | Color Temperatures 3                                | 000 ⇔ 010 | No function   |
|           |   | 011 ⇔ 028 | White 1   |
|           |   | 029 ⇔ 046 | White 2   |
|           |   | 047 ⇔ 064 | White 3   |
|           |   | 065 ⇔ 082 | White 4   |
|           |   | 083 ⇔ 100 | White 5   |
|           |   | 101 ⇔ 118 | White 6   |
|           |   | 119 ⇔ 136 | White 7   |
|           |   | 137 ⇔ 154 | White 8   |
|           |   | 155 ⇔ 172 | White 9   |
|           |   | 173 ⇔ 190 | White 10  |
|           |   | 191 ⇔ 208 | White 11  |
|           |   | 209 ⇔ 226 | White 12  |
|           |   | 227 ⇔ 244 | White 13  |
| 245 ⇔ 255 | White 14  |           |   |
| 20        | Strobe 3  | 000 ⇔ 009 | No function   |
|           |   | 010 ⇔ 099 | Strobe, slow to fast                                |
|           |   | 100 ⇔ 109 | No function   |
|           |   | 110 ⇔ 179 | Pulse strobe, slow to fast                          |
|           |   | 180 ⇔ 189 | No function   |
|           |   | 190 ⇔ 255 | Random strobe, slow to fast                         |
| 21        | Strobe All  | 000 ⇔ 009 | No function   |
|           |   | 010 ⇔ 099 | Strobe, slow to fast                                |
|           |   | 100 ⇔ 109 | No function   |
|           |   | 110 ⇔ 179 | Pulse strobe, slow to fast                          |
|           |   | 180 ⇔ 189 | No function   |
|           |   | 190 ⇔ 255 | Random strobe, slow to fast                         |

**3 RGB (9 Channels)**

| Channel | Function | Value     | Percent/Setting |
|---------|----------|-----------|-----------------|
| 1       | Red 1    | 000 ⇔ 255 | 0–100%          |
| 2       | Green 1  | 000 ⇔ 255 | 0–100%          |
| 3       | Blue 1   | 000 ⇔ 255 | 0–100%          |
| 4       | Red 2    | 000 ⇔ 255 | 0–100%          |
| 5       | Green 2  | 000 ⇔ 255 | 0–100%          |
| 6       | Blue 2   | 000 ⇔ 255 | 0–100%          |
| 7       | Red 3    | 000 ⇔ 255 | 0–100%          |
| 8       | Green 3  | 000 ⇔ 255 | 0–100%          |
| 9       | Blue 3   | 000 ⇔ 255 | 0–100%          |

EN

**1-Cell DMX Values**

**1 HSIC (8 Channels)**

| Channel   | Function  | Value     | Percent/Setting                                     |
|-----------|---|-----------|---|
| 1         | Dimmer  | 000 ⇄ 255 | 0–100%  |
| 2         | Hue   | 000 ⇄ 255 | 0–100%  |
| 3         | Fine Hue  | 000 ⇄ 255 | 0–100%  |
| 4         | Saturation  | 000 ⇄ 255 | 0–100%  |
| 5         | Strobe  | 000 ⇄ 009 | No function   |
|           |   | 010 ⇄ 099 | Strobe, slow to fast                                |
|           |   | 100 ⇄ 109 | No function   |
|           |   | 110 ⇄ 179 | Pulse strobe, slow to fast                          |
|           |   | 180 ⇄ 189 | No function   |
|           |   | 190 ⇄ 255 | Random strobe, slow to fast                         |
| 6         | Color Macros  | 000 ⇄ 010 | No function   |
|           |   | 011 ⇄ 034 | R: 100%    G: 0–100%    B: 0%    A: 0%    W: 0%     |
|           |   | 035 ⇄ 059 | R: 100–0%    G: 100%    B: 0%    A: 0%    W: 0%     |
|           |   | 060 ⇄ 084 | R: 0%    G: 100%    B: 0–100%    A: 0%    W: 0%     |
|           |   | 084 ⇄ 109 | R: 0%    G: 100–0%    B: 100%    A: 0%    W: 0%     |
|           |   | 110 ⇄ 134 | R: 0–100%    G: 0%    B: 100%    A: 0%    W: 0%     |
|           |   | 134 ⇄ 159 | R: 100%    G: 0%    B: 100–0%    A: 0%    W: 0%     |
|           |   | 160 ⇄ 184 | R: 100%    G: 0–100%    B: 0–100%    A: 0%    W: 0% |
|           |   | 184 ⇄ 209 | R: 100–0%    G: 100–0%    B: 100%    A: 0%    W: 0% |
| 210 ⇄ 255 | R: 100%    G: 100%    B: 100%    A: 100%    W: 100% |           |   |
| 7         | Color Temperatures                                  | 000 ⇄ 010 | No function   |
|           |   | 011 ⇄ 028 | White 1   |
|           |   | 029 ⇄ 046 | White 2   |
|           |   | 047 ⇄ 064 | White 3   |
|           |   | 065 ⇄ 082 | White 4   |
|           |   | 083 ⇄ 100 | White 5   |
|           |   | 101 ⇄ 118 | White 6   |
|           |   | 119 ⇄ 136 | White 7   |
|           |   | 137 ⇄ 154 | White 8   |
|           |   | 155 ⇄ 172 | White 9   |
|           |   | 173 ⇄ 190 | White 10  |
|           |   | 191 ⇄ 208 | White 11  |
|           |   | 209 ⇄ 226 | White 12  |
|           |   | 227 ⇄ 244 | White 13  |
| 245 ⇄ 255 | White 14  |           |   |
| 8         | Dimmer Speed  | 000 ⇄ 009 | Preset dimmer speed from display menu               |
|           |   | 010 ⇄ 029 | Dimmer speed mode off                               |
|           |   | 030 ⇄ 069 | Dimmer speed mode 1 (fastest)                       |
|           |   | 070 ⇄ 129 | Dimmer speed mode 2                                 |
|           |   | 130 ⇄ 189 | Dimmer speed mode 3                                 |
|           |   | 190 ⇄ 255 | Dimmer speed mode 4 (slowest)                       |

**1 RGBAW FUL (16 Channels)**

| Channel | Function    | Value     | Percent/Setting |
|---------|-------------|-----------|-----------------|
| 1       | Dimmer      | 000 ⇄ 255 | 0–100%          |
| 2       | Fine Dimmer | 000 ⇄ 255 | 0–100%          |
| 3       | Red         | 000 ⇄ 255 | 0–100%          |
| 4       | Fine Red    | 000 ⇄ 255 | 0–100%          |
| 5       | Green       | 000 ⇄ 255 | 0–100%          |
| 6       | Fine Green  | 000 ⇄ 255 | 0–100%          |
| 7       | Blue        | 000 ⇄ 255 | 0–100%          |
| 8       | Fine Blue   | 000 ⇄ 255 | 0–100%          |

| Channel   | Function  | Value     | Percent/Setting                                     |
|-----------|---|-----------|---|
| 9         | Amber   | 000 ⇔ 255 | 0–100%  |
| 10        | Fine Amber  | 000 ⇔ 255 | 0–100%  |
| 11        | White   | 000 ⇔ 255 | 0–100%  |
| 12        | Fine White  | 000 ⇔ 255 | 0–100%  |
| 13        | Color Macros  | 000 ⇔ 010 | No function   |
|           |   | 011 ⇔ 034 | R: 100%    G: 0–100%    B: 0%    A: 0%    W: 0%     |
|           |   | 035 ⇔ 059 | R: 100–0%    G: 100%    B: 0%    A: 0%    W: 0%     |
|           |   | 060 ⇔ 084 | R: 0%    G: 100%    B: 0–100%    A: 0%    W: 0%     |
|           |   | 084 ⇔ 109 | R: 0%    G: 100–0%    B: 100%    A: 0%    W: 0%     |
|           |   | 110 ⇔ 134 | R: 0–100%    G: 0%    B: 100%    A: 0%    W: 0%     |
|           |   | 134 ⇔ 159 | R: 100%    G: 0%    B: 100–0%    A: 0%    W: 0%     |
|           |   | 160 ⇔ 184 | R: 100%    G: 0–100%    B: 0–100%    A: 0%    W: 0% |
|           |   | 184 ⇔ 209 | R: 100–0%    G: 100–0%    B: 100%    A: 0%    W: 0% |
| 210 ⇔ 255 | R: 100%    G: 100%    B: 100%    A: 100%    W: 100% |           |   |
| 14        | Color Temperatures                                  | 000 ⇔ 010 | No function   |
|           |   | 011 ⇔ 028 | White 1   |
|           |   | 029 ⇔ 046 | White 2   |
|           |   | 047 ⇔ 064 | White 3   |
|           |   | 065 ⇔ 082 | White 4   |
|           |   | 083 ⇔ 100 | White 5   |
|           |   | 101 ⇔ 118 | White 6   |
|           |   | 119 ⇔ 136 | White 7   |
|           |   | 137 ⇔ 154 | White 8   |
|           |   | 155 ⇔ 172 | White 9   |
|           |   | 173 ⇔ 190 | White 10  |
|           |   | 191 ⇔ 208 | White 11  |
|           |   | 209 ⇔ 226 | White 12  |
|           |   | 227 ⇔ 244 | White 13  |
| 245 ⇔ 255 | White 14  |           |   |
| 15        | Strobe  | 000 ⇔ 009 | No function   |
|           |   | 010 ⇔ 099 | Strobe, slow to fast                                |
|           |   | 100 ⇔ 109 | No function   |
|           |   | 110 ⇔ 179 | Pulse strobe, slow to fast                          |
|           |   | 180 ⇔ 189 | No function   |
|           |   | 190 ⇔ 255 | Random strobe, slow to fast                         |
| 16        | Dimmer Speed  | 000 ⇔ 009 | Preset dimmer speed from display menu               |
|           |   | 010 ⇔ 029 | Dimmer speed mode off                               |
|           |   | 030 ⇔ 069 | Dimmer speed mode 1 (fastest)                       |
|           |   | 070 ⇔ 129 | Dimmer speed mode 2                                 |
|           |   | 130 ⇔ 189 | Dimmer speed mode 3                                 |
|           |   | 190 ⇔ 255 | Dimmer speed mode 4 (slowest)                       |

**1 RGBAW FIN (10 Channels)**

| Channel | Function   | Value     | Percent/Setting |
|---------|------------|-----------|-----------------|
| 1       | Red        | 000 ⇔ 255 | 0–100%          |
| 2       | Fine Red   | 000 ⇔ 255 | 0–100%          |
| 3       | Green      | 000 ⇔ 255 | 0–100%          |
| 4       | Fine Green | 000 ⇔ 255 | 0–100%          |
| 5       | Blue       | 000 ⇔ 255 | 0–100%          |
| 6       | Fine Blue  | 000 ⇔ 255 | 0–100%          |
| 7       | Amber      | 000 ⇔ 255 | 0–100%          |
| 8       | Fine Amber | 000 ⇔ 255 | 0–100%          |
| 9       | White      | 000 ⇔ 255 | 0–100%          |
| 10      | Fine White | 000 ⇔ 255 | 0–100%          |

EN

1 RGBAW EXT (10 Channels)

| Channel   | Function                                | Value     | Percent/Setting                         |
|-----------|---|-----------|---|
| 1         | Dimmer                                  | 000 ⇄ 255 | 0–100%                                  |
| 2         | Fine Dimmer                             | 000 ⇄ 255 | 0–100%                                  |
| 3         | Red                                     | 000 ⇄ 255 | 0–100%                                  |
| 4         | Green                                   | 000 ⇄ 255 | 0–100%                                  |
| 5         | Blue                                    | 000 ⇄ 255 | 0–100%                                  |
| 6         | Amber                                   | 000 ⇄ 255 | 0–100%                                  |
| 7         | White                                   | 000 ⇄ 255 | 0–100%                                  |
| 8         | Color Macros                            | 000 ⇄ 010 | No function                             |
|           |   | 011 ⇄ 034 | R: 100% G: 0–100% B: 0% A: 0% W: 0%     |
|           |   | 035 ⇄ 059 | R: 100–0% G: 100% B: 0% A: 0% W: 0%     |
|           |   | 060 ⇄ 084 | R: 0% G: 100% B: 0–100% A: 0% W: 0%     |
|           |   | 084 ⇄ 109 | R: 0% G: 100–0% B: 100% A: 0% W: 0%     |
|           |   | 110 ⇄ 134 | R: 0–100% G: 0% B: 100% A: 0% W: 0%     |
|           |   | 134 ⇄ 159 | R: 100% G: 0% B: 100–0% A: 0% W: 0%     |
|           |   | 160 ⇄ 184 | R: 100% G: 0–100% B: 0–100% A: 0% W: 0% |
|           |   | 184 ⇄ 209 | R: 100–0% G: 100–0% B: 100% A: 0% W: 0% |
| 210 ⇄ 255 | R: 100% G: 100% B: 100% A: 100% W: 100% |           |   |
| 9         | Color Temperatures                      | 000 ⇄ 010 | No function                             |
|           |   | 011 ⇄ 028 | White 1                                 |
|           |   | 029 ⇄ 046 | White 2                                 |
|           |   | 047 ⇄ 064 | White 3                                 |
|           |   | 065 ⇄ 082 | White 4                                 |
|           |   | 083 ⇄ 100 | White 5                                 |
|           |   | 101 ⇄ 118 | White 6                                 |
|           |   | 119 ⇄ 136 | White 7                                 |
|           |   | 137 ⇄ 154 | White 8                                 |
|           |   | 155 ⇄ 172 | White 9                                 |
|           |   | 173 ⇄ 190 | White 10                                |
|           |   | 191 ⇄ 208 | White 11                                |
|           |   | 209 ⇄ 226 | White 12                                |
|           |   | 227 ⇄ 244 | White 13                                |
| 245 ⇄ 255 | White 14                                |           |   |
| 10        | Strobe                                  | 000 ⇄ 009 | No function                             |
|           |   | 010 ⇄ 099 | Strobe, slow to fast                    |
|           |   | 100 ⇄ 109 | No function                             |
|           |   | 110 ⇄ 179 | Pulse strobe, slow to fast              |
|           |   | 180 ⇄ 189 | No function                             |
|           |   | 190 ⇄ 255 | Random strobe, slow to fast             |

1 RGBAW (5 Channels)

| Channel | Function | Value     | Percent/Setting |
|---------|----------|-----------|-----------------|
| 1       | Red      | 000 ⇄ 255 | 0–100%          |
| 2       | Green    | 000 ⇄ 255 | 0–100%          |
| 3       | Blue     | 000 ⇄ 255 | 0–100%          |
| 4       | Amber    | 000 ⇄ 255 | 0–100%          |
| 5       | White    | 000 ⇄ 255 | 0–100%          |

1 RGBA EXT (9 Channels)

| Channel | Function    | Value     | Percent/Setting |
|---------|-------------|-----------|-----------------|
| 1       | Dimmer      | 000 ⇄ 255 | 0–100%          |
| 2       | Fine Dimmer | 000 ⇄ 255 | 0–100%          |
| 3       | Red         | 000 ⇄ 255 | 0–100%          |
| 4       | Green       | 000 ⇄ 255 | 0–100%          |

| Channel   | Function           | Value     | Percent/Setting                         |
|-----------|--------------------|-----------|---|
| 5         | Blue               | 000 ⇔ 255 | 0–100%                                  |
| 6         | Amber              | 000 ⇔ 255 | 0–100%                                  |
| 7         | Color Macros       | 000 ⇔ 010 | No function                             |
|           |                    | 011 ⇔ 034 | R: 100% G: 0–100% B: 0% A: 0% W: 0%     |
|           |                    | 035 ⇔ 059 | R: 100–0% G: 100% B: 0% A: 0% W: 0%     |
|           |                    | 060 ⇔ 084 | R: 0% G: 100% B: 0–100% A: 0% W: 0%     |
|           |                    | 084 ⇔ 109 | R: 0% G: 100–0% B: 100% A: 0% W: 0%     |
|           |                    | 110 ⇔ 134 | R: 0–100% G: 0% B: 100% A: 0% W: 0%     |
|           |                    | 134 ⇔ 159 | R: 100% G: 0% B: 100–0% A: 0% W: 0%     |
|           |                    | 160 ⇔ 184 | R: 100% G: 0–100% B: 0–100% A: 0% W: 0% |
|           |                    | 184 ⇔ 209 | R: 100–0% G: 100–0% B: 100% A: 0% W: 0% |
|           |                    | 210 ⇔ 255 | R: 100% G: 100% B: 100% A: 100% W: 100% |
| 8         | Color Temperatures | 000 ⇔ 010 | No function                             |
|           |                    | 011 ⇔ 028 | White 1                                 |
|           |                    | 029 ⇔ 046 | White 2                                 |
|           |                    | 047 ⇔ 064 | White 3                                 |
|           |                    | 065 ⇔ 082 | White 4                                 |
|           |                    | 083 ⇔ 100 | White 5                                 |
|           |                    | 101 ⇔ 118 | White 6                                 |
|           |                    | 119 ⇔ 136 | White 7                                 |
|           |                    | 137 ⇔ 154 | White 8                                 |
|           |                    | 155 ⇔ 172 | White 9                                 |
|           |                    | 173 ⇔ 190 | White 10                                |
|           |                    | 191 ⇔ 208 | White 11                                |
|           |                    | 209 ⇔ 226 | White 12                                |
|           |                    | 227 ⇔ 244 | White 13                                |
| 245 ⇔ 255 | White 14           |           |   |
| 9         | Strobe             | 000 ⇔ 009 | No function                             |
|           |                    | 010 ⇔ 099 | Strobe, slow to fast                    |
|           |                    | 100 ⇔ 109 | No function                             |
|           |                    | 110 ⇔ 179 | Pulse strobe, slow to fast              |
|           |                    | 180 ⇔ 189 | No function                             |
|           |                    | 190 ⇔ 255 | Random strobe, slow to fast             |

**1 RGBA (4 Channels)**

| Channel | Function | Value     | Percent/Setting |
|---------|----------|-----------|-----------------|
| 1       | Red      | 000 ⇔ 255 | 0–100%          |
| 2       | Green    | 000 ⇔ 255 | 0–100%          |
| 3       | Blue     | 000 ⇔ 255 | 0–100%          |
| 4       | Amber    | 000 ⇔ 255 | 0–100%          |

**1 RGB EXT (8 Channels)**

| Channel | Function    | Value     | Percent/Setting |
|---------|-------------|-----------|-----------------|
| 1       | Dimmer      | 000 ⇔ 255 | 0–100%          |
| 2       | Fine Dimmer | 000 ⇔ 255 | 0–100%          |
| 3       | Red         | 000 ⇔ 255 | 0–100%          |
| 4       | Green       | 000 ⇔ 255 | 0–100%          |
| 5       | Blue        | 000 ⇔ 255 | 0–100%          |

| Channel   | Function           | Value     | Percent/Setting                         |
|-----------|--------------------|-----------|---|
| 6         | Color Macros       | 000 ⇔ 010 | No function                             |
|           |                    | 011 ⇔ 034 | R: 100% G: 0–100% B: 0% A: 0% W: 0%     |
|           |                    | 035 ⇔ 059 | R: 100–0% G: 100% B: 0% A: 0% W: 0%     |
|           |                    | 060 ⇔ 084 | R: 0% G: 100% B: 0–100% A: 0% W: 0%     |
|           |                    | 084 ⇔ 109 | R: 0% G: 100–0% B: 100% A: 0% W: 0%     |
|           |                    | 110 ⇔ 134 | R: 0–100% G: 0% B: 100% A: 0% W: 0%     |
|           |                    | 134 ⇔ 159 | R: 100% G: 0% B: 100–0% A: 0% W: 0%     |
|           |                    | 160 ⇔ 184 | R: 100% G: 0–100% B: 0–100% A: 0% W: 0% |
|           |                    | 184 ⇔ 209 | R: 100–0% G: 100–0% B: 100% A: 0% W: 0% |
|           |                    | 210 ⇔ 255 | R: 100% G: 100% B: 100% A: 100% W: 100% |
| 7         | Color Temperatures | 000 ⇔ 010 | No function                             |
|           |                    | 011 ⇔ 028 | White 1                                 |
|           |                    | 029 ⇔ 046 | White 2                                 |
|           |                    | 047 ⇔ 064 | White 3                                 |
|           |                    | 065 ⇔ 082 | White 4                                 |
|           |                    | 083 ⇔ 100 | White 5                                 |
|           |                    | 101 ⇔ 118 | White 6                                 |
|           |                    | 119 ⇔ 136 | White 7                                 |
|           |                    | 137 ⇔ 154 | White 8                                 |
|           |                    | 155 ⇔ 172 | White 9                                 |
|           |                    | 173 ⇔ 190 | White 10                                |
|           |                    | 191 ⇔ 208 | White 11                                |
|           |                    | 209 ⇔ 226 | White 12                                |
|           |                    | 227 ⇔ 244 | White 13                                |
| 245 ⇔ 255 | White 14           |           |   |
| 8         | Strobe             | 000 ⇔ 009 | No function                             |
|           |                    | 010 ⇔ 099 | Strobe, slow to fast                    |
|           |                    | 100 ⇔ 109 | No function                             |
|           |                    | 110 ⇔ 179 | Pulse strobe, slow to fast              |
|           |                    | 180 ⇔ 189 | No function                             |
|           |                    | 190 ⇔ 255 | Random strobe, slow to fast             |

1 RGB (3 Channels)

| Channel | Function | Value     | Percent/Setting |
|---------|----------|-----------|-----------------|
| 1       | Red      | 000 ⇔ 255 | 0–100%          |
| 2       | Green    | 000 ⇔ 255 | 0–100%          |
| 3       | Blue     | 000 ⇔ 255 | 0–100%          |



## Acerca de Esta Guía

La Guía de Referencia Rápida (GRR) del COLORado Batten 72X contiene información básica sobre el producto, como montaje, opciones de menú y valores DMX. Descargue el Manual de Usuario de [www.chauvetprofessional.com](http://www.chauvetprofessional.com) para información más detallada.

### Exención de Responsabilidad

La información y especificaciones contenidas en esta GRR están sujetas a cambio sin previo aviso.

### GARANTÍA LIMITADA

**PARA VER EL REGISTRO DE GARANTÍA Y LOS TÉRMINOS Y CONDICIONES COMPLETOS, VISITE NUESTRO SITIO WEB.**

**Para clientes en los Estados Unidos y México:** [www.chauvetlighting.com/warranty-registration](http://www.chauvetlighting.com/warranty-registration).

**Para clientes en Reino Unido, República de Irlanda, Bélgica, Países Bajos, Luxemburgo, Francia y Alemania:** [www.chauvetlighting.eu/warranty-registration](http://www.chauvetlighting.eu/warranty-registration).

Chauvet garantiza que este producto estará libre de defectos de material y mano de obra en condiciones de uso normales, durante el periodo especificado, sujeto siempre a las exclusiones y limitaciones establecidas en la garantía limitada completa de nuestro sitio web. Esta garantía se concede únicamente al comprador original del producto y no es transferible. Para ejercer los derechos que otorga esta garantía, usted debe proporcionar una prueba de compra en forma de un recibo de compra original, expedido por un distribuidor autorizado, donde figure el nombre del producto y la fecha de compra. **NO EXISTEN OTRAS GARANTÍAS EXPRESAS NI IMPLÍCITAS.** Esta garantía le otorga derechos legales específicos. Es posible que a usted le asistan otros derechos, que variarán dependiendo del estado o del país. Esta garantía solamente es válida en los Estados Unidos, Reino Unido, República de Irlanda, Bélgica, Países Bajos, Luxemburgo, Francia, Alemania y México. Para conocer los términos de garantía en otros países, consulte a su distribuidor local.

### Notas de Seguridad

- NO abra este producto. No contiene piezas reparables por el usuario.
- Para evitar un desgaste innecesario y alargar su vida útil, desconecte complemente el producto de la alimentación, mediante el interruptor o desenchufándolo, durante los periodos en los que no se use.
- NO mire a la fuente de luz cuando el producto esté encendido.
- CUIDADO: La carcasa de este producto está caliente cuando las luces están en funcionamiento.
- Monte este producto en una ubicación con ventilación adecuada, al menos a 20" (50 cm) de superficies adyacentes.
- NO deje ningún material inflamable a menos de 50 cm de este producto mientras esté funcionando o conectado a la alimentación.
- Cuidado: cuando transfiera el producto desde ambientes con temperatura extrema (p. ej., del remolque frío de un camión a una sala de baile con calor y humedad), puede formarse condensación en la electrónica interna del producto. Para evitar que se produzca una avería, deje que el producto se aclimate completamente al ambiente antes de conectar la alimentación.
- No apto para la instalación permanente en exteriores en lugares con condiciones ambientales extremas. Estas incluyen, sin limitarse a ellas:
  - Exposición a un ambiente marino/salino (a menos de 4,8 km de una masa de agua salada).
  - Cuando las temperaturas máxima o mínima habituales del lugar superan los rangos de temperatura en este manual.
  - Lugares proclives a inundaciones o a ser sepultados por la nieve.
  - Otras zonas en las que el producto esté expuesto a radiación extrema o sustancias cáusticas.
- USE un cable de seguridad cuando monte este producto en lo alto.
- NO sumerja este producto (IP65). La operación normal en exteriores es correcta.
- NO ponga en funcionamiento este producto si sospecha que la carcasa, lentes o cables están dañados.
- NO conecte este producto a un atenuador o reostato.
- Conecte este producto SOLO a un circuito con toma de tierra y protegido.
- Use SOLAMENTE los soportes de colgar/montar para mover este producto.
- En caso de un problema grave de funcionamiento, deje de usarlo inmediatamente.
- La máxima temperatura ambiente es de 113 °F (45 °C). No haga funcionar este producto a temperaturas más altas.

### Contacto

Fuera de EE. UU., Reino Unido, Irlanda, Benelux, Francia, Alemania o México póngase en contacto con su distribuidor para solicitar asistencia o devolver un producto. Consulte [Contact Us](#) al final de este GRR para información de contacto.

### Qué va Incluido

- COLORado Batten 72X con pantalla antirreflectante
- Cable de alimentación Seetronic Powerkon IP65
- Soportes Omega
- Guía de Referencia Rápida

## Corriente Alterna

Este producto tiene una fuente de alimentación con detección automática que puede funcionar con un rango de tensión de entrada de 100 a 240 VCA, 50/60 Hz.

### Alimentación en Cadena

Puede enlazar hasta 10 productos COLORado Batten 72X a 120 V, 17 productos a 208 V o 19 productos a 230 V. Los cables de alimentación en cadena se pueden adquirir por separado.

### Enchufe CA

| Conexión   | Cable (EE.UU.) | Cable (Europa) | Color del tornillo |
|------------|----------------|----------------|--------------------|
| CA Cargado | Negro          | Marrón         | Amarillo/Latón     |
| CA Neutro  | Blanco         | Azul           | Plata              |
| CA Tierra  | Verde/Amarillo | Verde/Amarillo | Verde              |



Para evitar un desgaste innecesario y alargar su vida útil, desconecte completamente el producto de la alimentación, mediante el interruptor o desenchufándolo, durante los periodos en los que no se use.

### Enlace DMX

El COLORado Batten 72X funcionará con un controlador DMX usando una conexión serie DMX de 5 pines. Hay un Manual DMX disponible en [www.chauvetprofessional.com](http://www.chauvetprofessional.com).

### Conexión DMX

El COLORado Batten 72X usa una conexión de datos DMX de 5 pines para sus 18 personalidades de control, que van de 3 canales a 43 canales en modos de 1 celda y modos de 3 celdas:

|          | RGB | RGB EXT | RGBA | RGBA EXT | RGBAW | RGBAW EXT | RGBAW FIN | RGBAW FUL | HSIC |
|----------|-----|---------|------|----------|-------|-----------|-----------|-----------|------|
| 1 celda  | 3   | 8       | 4    | 9        | 5     | 10        | 10        | 16        | 8    |
| 3 celdas | 9   | 21      | 12   | 24       | 15    | 27        | 30        | 43        | 22   |

Vea el Manual de Usuario para información sobre cómo conectar y configurar el producto para funcionamiento DMX.

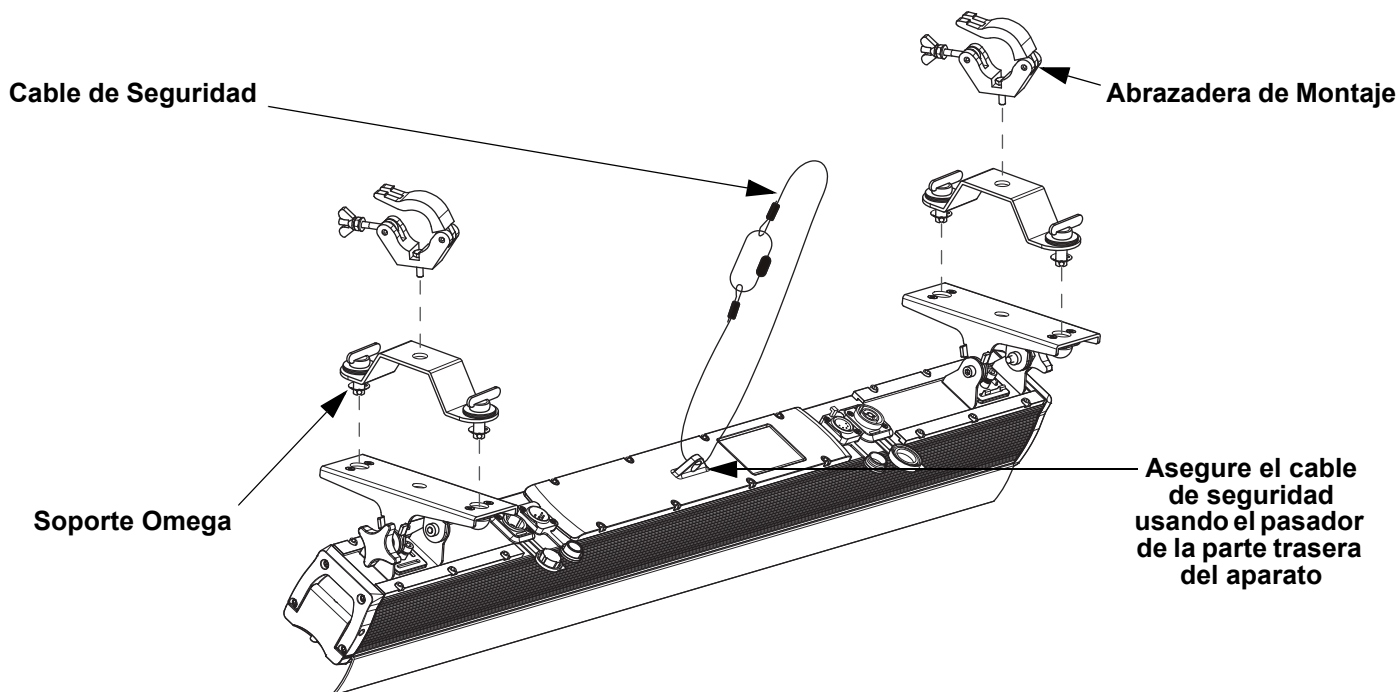
### RDM (gestión remota del dispositivo)

Remote Device Management (gestión remota del dispositivo) o RDM, es un estándar que permite a los dispositivos con capacidad DMX una comunicación bidireccional por un cableado DMX existente. El COLORado Batten 72X admite protocolo RDM, que posibilita información para supervisar cambiar las opciones del mapa de menú. Descargue el manual de usuario de [www.chauvetprofessional.com](http://www.chauvetprofessional.com) para una información más detallada.

### Montaje

Antes de montar este producto, lea las [Notas de Seguridad](#). Utilice al menos dos puntos de montaje por producto. Asegúrese de que las abrazaderas de montaje son capaces de soportar el peso del producto. Para nuestra línea Chauvet de abrazaderas de montaje, visite <http://trusst.com/productcategory/truss-clamps/>.

### Diagrama de Montaje del Producto



## Descripción del Panel de Control

| Botón   | Función  |
|---------|--|
| <MENU>  | Salir del menú o función actual  |
| <ENTER> | Habilita el menú actualmente en pantalla o configura el valor seleccionado actualmente dentro de la función seleccionada |
| <UP>    | Navega hacia arriba por la lista de menú o aumenta el valor numérico cuando está en una función                          |
| <DOWN>  | Navega hacia abajo por la lista de menú o disminuye el valor numérico cuando está en una función                         |

## Mapa de Menú

| Nivel principal | Niveles de Programación   | Descripción  |
|-----------------|---|--|
| Start Address   | 1–510*  | Selecciona la dirección de inicio (*canal más alto restringido a la elección de personalidad)                                      |
|                 | 1 RGB   | 3 canal: RGB   |
| Personality     | 1 RGB EXT   | 8 canal: 16 bits atenuador, RGB, macro de color, temperatura de color, estroboscopio   |
|                 | 1 RGBA  | 4 canal: RGBA  |
|                 | 1 RGBA EXT  | 9 canal: 16 bits atenuador, RGBA, macro de color, temperatura de color, estroboscopio  |
|                 | 1 RGBAW   | 5 canal: RGBAW   |
|                 | 1 RGBAW EXT   | 10 canal: 16 bits atenuador, RGBAW, macro de color, temperatura de color, estroboscopio  |
|                 | 1 RGBAW FIN   | 10 canal: 16 bits RGBAW  |
|                 | 1 RGBAW FUL   | 16 canal: 16 bits atenuador, 16 bits RGBAW, macro de color, temperatura de color, estroboscopio, velocidad de atenuador            |
|                 | 1 HSIC  | 8 canal: atenuador, 16 bits tono, saturación, estroboscopio, macro de color, temperatura de color, velocidad de atenuador          |
|                 | 3 RGB   | 9 canal (3 celdas): RGB  |
|                 | 3 RGB EXT   | 21 canal (3 celdas): 16 bits atenuador, RGB, macro de color, temperatura de color, estroboscopio                                   |
|                 | 3 RGBA  | 12 canal (3 celdas): RGBA  |
|                 | 3 RGBA EXT  | 24 canal (3 celdas): 16 bits atenuador, RGBA, macro de color, temperatura de color, estroboscopio                                  |
|                 | 3 RGBAW   | 15 canal (3 celdas): RGBAW   |
|                 | 3 RGBAW EXT   | 27 canal (3 celdas): 16 bits atenuador, RGBAW, macro de color, temperatura de color, estroboscopio                                 |
|                 | 3 RGBAW FIN   | 30 canal (3 celdas): 16 bits RGBAW   |
|                 | 3 RGBAW FUL   | 43 canal (3 celdas): 16 bits atenuador, 16 bits RGBAW, macro de color, temperatura de color, estroboscopio, velocidad de atenuador |
| 3 HSIC          | 22 canal (3 celdas): atenuador, 16 bits tono, saturación, estroboscopio, macro de color, temperatura de color, velocidad de atenuador |  |
| Output Setting  | Power Mode  | Evita pasar de la temperatura máxima ajustando la intensidad de salida   |
|                 | Steady Mode   | Utiliza una intensidad mas baja de salida a una tasa constante para evitar pasar de la temperatura máxima                          |
|                 | Legacy Mode   | Coincidirá con la intensidad de salida del COLORado Batten 72 Tour   |

| Nivel principal | Niveles de Programación         |  |   | Descripción   |   |
|-----------------|---------------------------------|--|---|---|---|
| Static Colors   | Preset Colors                   | Color 1–14   | Dimmer 0–100%   | Colores estáticos preestablecidos   |   |
|                 | CCT Temper                      | White 1–14   |   | Temperaturas de color preestablecidas   |   |
|                 | RGBAW                           | Red  | Red 0–255   | Combina rojo, verde, azul, ámbar y blanco para generar un color personalizado |   |
|                 |                                 | Green  | Green 0–255   |   |   |
|                 |                                 | Blue   | Blue 0–255  |   |   |
| Amber           |                                 | Amber 0–255  |   |   |   |
| White           | White 0–255                     |  |   |   |   |
| Auto Programs   | Run                             | AUTO.1–10  | Speed 0–100   | Selecciona programas automáticos y velocidad de programa                      |   |
|                 |                                 | Program 1–10   |   |   |   |
|                 | Edit                            | Program 1–10   | SCENE-01–30   | Red 0–255   | Selecciona y edita un programa personalizable |
|                 |                                 |  |   | Green 0–255   |   |
|                 |                                 |  |   | Blue 0–255  |   |
| Amber 0–255     |                                 |  |   |   |   |
| White 0–255     |                                 |  |   |   |   |
| Master/Slave    | Master                          |  |   | Modo DMX (maestro)  |   |
|                 | Slave                           |  |   | Modo esclavo  |   |
| Dimmer Mode     | OFF                             |  |   | Atenuador lineal  |   |
|                 | DIM1–4                          |  |   | Curvas de atenuador DIM1 (rápido) a DIM4 (lento)                              |   |
| LED Frequency   | 600Hz                           |  |   | Selecciona la frecuencia de emisión PWM                                       |   |
|                 | 1200Hz                          |  |   |   |   |
|                 | 2000Hz                          |  |   |   |   |
|                 | 2400Hz                          |  |   |   |   |
|                 | 4000Hz                          |  |   |   |   |
|                 | 6000Hz                          |  |   |   |   |
|                 | 25000Hz                         |  |   |   |   |
| Cell Order      | 1 – 3                           |  |   | Establece el orden de las celdas  |   |
|                 | 3 – 1                           |  |   |   |   |
| Setting         | ****<br>(introducir contraseña) | DMX Error/<br>Loss   | Hold Last   | Continúa con el último comando tras la pérdida de control DMX                 |   |
|                 |                                 |  | Blackout  | Oscuro el dispositivo tras la pérdida de señal DMX                            |   |
|                 | Disp<br>TimeOut                 | On   | Retro-iluminación de la pantalla siempre activa                                 |   |   |
|                 |                                 | 10s  | Retro-iluminación de la pantalla se apaga después de 10 segundos de inactividad |   |   |
|                 |                                 | 20s  | Retro-iluminación de la pantalla se apaga después de 20 segundos de inactividad |   |   |
|                 | Disp<br>Passcode                | 30s  | Retro-iluminación de la pantalla se apaga después de 30 segundos de inactividad |   |   |
| On              |                                 | Bloquea la pantalla (la contraseña es <UP>, <DOWN>, <UP>, <DOWN>, <ENTER>) |   |   |   |
| Off             |                                 |  |   |   |   |
| Information     | Fixture Hours                   |  | ___ _ _ _ Hours   | Muestra el nombre total de las horas del producto                             |   |
|                 | Firmware Vers                   |  | V__   | Muestra instalada la versión de firmware                                      |   |
|                 | RDM                             | UID  |   | _____   | Muestra el UID # del producto                 |
|                 |                                 | LABEL  | Batten 72X  |   | Muestra el nombre del producto para RDM       |
| Factory Reset   | No                              |  |   | Reinicia a la configuración de fábrica  |   |
|                 | Yes                             |  |   |   |   |

**Valores DMX de 3 celdas**
**3 HSIC (22 canales)**

| Canal     | Función                                 | Valor     | Porcentaje/Configuración                |
|-----------|---|-----------|---|
| 1         | Atenuador 1                             | 000 ⇔ 255 | 0–100%                                  |
| 2         | Tono 1                                  | 000 ⇔ 255 | 0–100%                                  |
| 3         | Tono fino 1                             | 000 ⇔ 255 | 0–100%                                  |
| 4         | Saturación 1                            | 000 ⇔ 255 | 0–100%                                  |
| 5         | Estroboscopia 1                         | 000 ⇔ 009 | Sin función                             |
|           |   | 010 ⇔ 099 | Estroboscopia, lento a rápido           |
|           |   | 100 ⇔ 109 | Sin función                             |
|           |   | 110 ⇔ 179 | Estroboscopia de pulso, lento a rápido  |
|           |   | 180 ⇔ 189 | Sin función                             |
|           |   | 190 ⇔ 255 | Estroboscopia aleatorio, lento a rápido |
| 6         | Macros de color 1                       | 000 ⇔ 010 | Sin función                             |
|           |   | 011 ⇔ 034 | R: 100% G: 0–100% B: 0% A: 0% W: 0%     |
|           |   | 035 ⇔ 059 | R: 100–0% G: 100% B: 0% A: 0% W: 0%     |
|           |   | 060 ⇔ 084 | R: 0% G: 100% B: 0–100% A: 0% W: 0%     |
|           |   | 084 ⇔ 109 | R: 0% G: 100–0% B: 100% A: 0% W: 0%     |
|           |   | 110 ⇔ 134 | R: 0–100% G: 0% B: 100% A: 0% W: 0%     |
|           |   | 134 ⇔ 159 | R: 100% G: 0% B: 100–0% A: 0% W: 0%     |
|           |   | 160 ⇔ 184 | R: 100% G: 0–100% B: 0–100% A: 0% W: 0% |
|           |   | 184 ⇔ 209 | R: 100–0% G: 100–0% B: 100% A: 0% W: 0% |
| 210 ⇔ 255 | R: 100% G: 100% B: 100% A: 100% W: 100% |           |   |
| 7         | Temperaturas de color 1                 | 000 ⇔ 010 | Sin función                             |
|           |   | 011 ⇔ 028 | Blanco 1                                |
|           |   | 029 ⇔ 046 | Blanco 2                                |
|           |   | 047 ⇔ 064 | Blanco 3                                |
|           |   | 065 ⇔ 082 | Blanco 4                                |
|           |   | 083 ⇔ 100 | Blanco 5                                |
|           |   | 101 ⇔ 118 | Blanco 6                                |
|           |   | 119 ⇔ 136 | Blanco 7                                |
|           |   | 137 ⇔ 154 | Blanco 8                                |
|           |   | 155 ⇔ 172 | Blanco 9                                |
|           |   | 173 ⇔ 190 | Blanco 10                               |
|           |   | 191 ⇔ 208 | Blanco 11                               |
|           |   | 209 ⇔ 226 | Blanco 12                               |
|           |   | 227 ⇔ 244 | Blanco 13                               |
| 245 ⇔ 255 | Blanco 14                               |           |   |
| 8         | Atenuador 2                             | 000 ⇔ 255 | 0–100%                                  |
| 9         | Tono 2                                  | 000 ⇔ 255 | 0–100%                                  |
| 10        | Tono fino 2                             | 000 ⇔ 255 | 0–100%                                  |
| 11        | Saturación 2                            | 000 ⇔ 255 | 0–100%                                  |
| 12        | Estroboscopia 2                         | 000 ⇔ 009 | Sin función                             |
|           |   | 010 ⇔ 099 | Estroboscopia, lento a rápido           |
|           |   | 100 ⇔ 109 | Sin función                             |
|           |   | 110 ⇔ 179 | Estroboscopia de pulso, lento a rápido  |
|           |   | 180 ⇔ 189 | Sin función                             |
|           |   | 190 ⇔ 255 | Estroboscopia aleatorio, lento a rápido |

| Canal | Función                 | Valor     | Porcentaje/Configuración                |
|-------|-------------------------|-----------|---|
| 13    | Macros de color 2       | 000 ⇄ 010 | Sin función                             |
|       |                         | 011 ⇄ 034 | R: 100% G: 0-100% B: 0% A: 0% W: 0%     |
|       |                         | 035 ⇄ 059 | R: 100-0% G: 100% B: 0% A: 0% W: 0%     |
|       |                         | 060 ⇄ 084 | R: 0% G: 100% B: 0-100% A: 0% W: 0%     |
|       |                         | 084 ⇄ 109 | R: 0% G: 100-0% B: 100% A: 0% W: 0%     |
|       |                         | 110 ⇄ 134 | R: 0-100% G: 0% B: 100% A: 0% W: 0%     |
|       |                         | 134 ⇄ 159 | R: 100% G: 0% B: 100-0% A: 0% W: 0%     |
|       |                         | 160 ⇄ 184 | R: 100% G: 0-100% B: 0-100% A: 0% W: 0% |
|       |                         | 184 ⇄ 209 | R: 100-0% G: 100-0% B: 100% A: 0% W: 0% |
|       |                         | 210 ⇄ 255 | R: 100% G: 100% B: 100% A: 100% W: 100% |
| 14    | Temperaturas de color 2 | 000 ⇄ 010 | Sin función                             |
|       |                         | 011 ⇄ 028 | Blanco 1                                |
|       |                         | 029 ⇄ 046 | Blanco 2                                |
|       |                         | 047 ⇄ 064 | Blanco 3                                |
|       |                         | 065 ⇄ 082 | Blanco 4                                |
|       |                         | 083 ⇄ 100 | Blanco 5                                |
|       |                         | 101 ⇄ 118 | Blanco 6                                |
|       |                         | 119 ⇄ 136 | Blanco 7                                |
|       |                         | 137 ⇄ 154 | Blanco 8                                |
|       |                         | 155 ⇄ 172 | Blanco 9                                |
|       |                         | 173 ⇄ 190 | Blanco 10                               |
|       |                         | 191 ⇄ 208 | Blanco 11                               |
|       |                         | 209 ⇄ 226 | Blanco 12                               |
|       |                         | 227 ⇄ 244 | Blanco 13                               |
|       |                         | 245 ⇄ 255 | Blanco 14                               |
| 15    | Atenuador 3             | 000 ⇄ 255 | 0-100%                                  |
| 16    | Tono 3                  | 000 ⇄ 255 | 0-100%                                  |
| 17    | Tono fino 3             | 000 ⇄ 255 | 0-100%                                  |
| 18    | Saturación 3            | 000 ⇄ 255 | 0-100%                                  |
| 19    | Estroboscopio 3         | 000 ⇄ 009 | Sin función                             |
|       |                         | 010 ⇄ 099 | Estroboscopio, lento a rápido           |
|       |                         | 100 ⇄ 109 | Sin función                             |
|       |                         | 110 ⇄ 179 | Estroboscopio de pulso, lento a rápido  |
|       |                         | 180 ⇄ 189 | Sin función                             |
|       |                         | 190 ⇄ 255 | Estroboscopio aleatorio, lento a rápido |
| 20    | Macros de color 3       | 000 ⇄ 010 | Sin función                             |
|       |                         | 011 ⇄ 034 | R: 100% G: 0-100% B: 0% A: 0% W: 0%     |
|       |                         | 035 ⇄ 059 | R: 100-0% G: 100% B: 0% A: 0% W: 0%     |
|       |                         | 060 ⇄ 084 | R: 0% G: 100% B: 0-100% A: 0% W: 0%     |
|       |                         | 084 ⇄ 109 | R: 0% G: 100-0% B: 100% A: 0% W: 0%     |
|       |                         | 110 ⇄ 134 | R: 0-100% G: 0% B: 100% A: 0% W: 0%     |
|       |                         | 134 ⇄ 159 | R: 100% G: 0% B: 100-0% A: 0% W: 0%     |
|       |                         | 160 ⇄ 184 | R: 100% G: 0-100% B: 0-100% A: 0% W: 0% |
|       |                         | 184 ⇄ 209 | R: 100-0% G: 100-0% B: 100% A: 0% W: 0% |
|       |                         | 210 ⇄ 255 | R: 100% G: 100% B: 100% A: 100% W: 100% |

| Canal     | Función                        | Valor     | Porcentaje/Configuración                               |
|-----------|--------------------------------|-----------|--|
| <b>21</b> | <b>Temperaturas de color 3</b> | 000 ⇔ 010 | Sin función  |
|           |                                | 011 ⇔ 028 | Blanco 1   |
|           |                                | 029 ⇔ 046 | Blanco 2   |
|           |                                | 047 ⇔ 064 | Blanco 3   |
|           |                                | 065 ⇔ 082 | Blanco 4   |
|           |                                | 083 ⇔ 100 | Blanco 5   |
|           |                                | 101 ⇔ 118 | Blanco 6   |
|           |                                | 119 ⇔ 136 | Blanco 7   |
|           |                                | 137 ⇔ 154 | Blanco 8   |
|           |                                | 155 ⇔ 172 | Blanco 9   |
|           |                                | 173 ⇔ 190 | Blanco 10  |
|           |                                | 191 ⇔ 208 | Blanco 11  |
|           |                                | 209 ⇔ 226 | Blanco 12  |
|           |                                | 227 ⇔ 244 | Blanco 13  |
| 245 ⇔ 255 | Blanco 14                      |           |  |
| <b>22</b> | <b>Velocidad de atenuador</b>  | 000 ⇔ 009 | Ajuste de la velocidad del atenuador desde la pantalla |
|           |                                | 010 ⇔ 029 | Modo velocidad del atenuador desactivado               |
|           |                                | 030 ⇔ 069 | Velocidad de atenuador 1 (rápida)                      |
|           |                                | 070 ⇔ 129 | Velocidad de atenuador 2                               |
|           |                                | 130 ⇔ 189 | Velocidad de atenuador 3                               |
|           |                                | 190 ⇔ 255 | Velocidad de atenuador 4 (lenta)                       |

**3 RGBAW FUL (43 canales)**

| Canal     | Función   | Valor     | Porcentaje/Configuración                            |
|-----------|---|-----------|---|
| <b>1</b>  | <b>Atenuador</b>                                    | 000 ⇔ 255 | 0–100%  |
| <b>2</b>  | <b>Atenuador fino</b>                               | 000 ⇔ 255 | 0–100%  |
| <b>3</b>  | <b>Rojo 1</b>                                       | 000 ⇔ 255 | 0–100%  |
| <b>4</b>  | <b>Rojo fino 1</b>                                  | 000 ⇔ 255 | 0–100%  |
| <b>5</b>  | <b>Verde 1</b>                                      | 000 ⇔ 255 | 0–100%  |
| <b>6</b>  | <b>Verde fino 1</b>                                 | 000 ⇔ 255 | 0–100%  |
| <b>7</b>  | <b>Azul 1</b>                                       | 000 ⇔ 255 | 0–100%  |
| <b>8</b>  | <b>Azul fino 1</b>                                  | 000 ⇔ 255 | 0–100%  |
| <b>9</b>  | <b>Ámbar 1</b>                                      | 000 ⇔ 255 | 0–100%  |
| <b>10</b> | <b>Ámbar fino 1</b>                                 | 000 ⇔ 255 | 0–100%  |
| <b>11</b> | <b>Blanco 1</b>                                     | 000 ⇔ 255 | 0–100%  |
| <b>12</b> | <b>Blanco fino 1</b>                                | 000 ⇔ 255 | 0–100%  |
| <b>13</b> | <b>Macros de color 1</b>                            | 000 ⇔ 010 | Sin función   |
|           |   | 011 ⇔ 034 | R: 100%    G: 0–100%    B: 0%    A: 0%    W: 0%     |
|           |   | 035 ⇔ 059 | R: 100–0%    G: 100%    B: 0%    A: 0%    W: 0%     |
|           |   | 060 ⇔ 084 | R: 0%    G: 100%    B: 0–100%    A: 0%    W: 0%     |
|           |   | 084 ⇔ 109 | R: 0%    G: 100–0%    B: 100%    A: 0%    W: 0%     |
|           |   | 110 ⇔ 134 | R: 0–100%    G: 0%    B: 100%    A: 0%    W: 0%     |
|           |   | 134 ⇔ 159 | R: 100%    G: 0%    B: 100–0%    A: 0%    W: 0%     |
|           |   | 160 ⇔ 184 | R: 100%    G: 0–100%    B: 0–100%    A: 0%    W: 0% |
| 184 ⇔ 209 | R: 100–0%    G: 100–0%    B: 100%    A: 0%    W: 0% |           |   |
| 210 ⇔ 255 | R: 100%    G: 100%    B: 100%    A: 100%    W: 100% |           |   |

| Canal     | Función                | Valor     | Porcentaje/Configuración                            |
|-----------|------------------------|-----------|---|
| 14        | Temperatura de color 1 | 000 ⇄ 010 | Sin función   |
|           |                        | 011 ⇄ 028 | Blanco 1  |
|           |                        | 029 ⇄ 046 | Blanco 2  |
|           |                        | 047 ⇄ 064 | Blanco 3  |
|           |                        | 065 ⇄ 082 | Blanco 4  |
|           |                        | 083 ⇄ 100 | Blanco 5  |
|           |                        | 101 ⇄ 118 | Blanco 6  |
|           |                        | 119 ⇄ 136 | Blanco 7  |
|           |                        | 137 ⇄ 154 | Blanco 8  |
|           |                        | 155 ⇄ 172 | Blanco 9  |
|           |                        | 173 ⇄ 190 | Blanco 10   |
|           |                        | 191 ⇄ 208 | Blanco 11   |
|           |                        | 209 ⇄ 226 | Blanco 12   |
|           |                        | 227 ⇄ 244 | Blanco 13   |
| 245 ⇄ 255 | Blanco 14              |           |   |
| 15        | Estroboscopio 1        | 000 ⇄ 009 | Sin función   |
|           |                        | 010 ⇄ 099 | Estroboscopio, lento a rápido                       |
|           |                        | 100 ⇄ 109 | Sin función   |
|           |                        | 110 ⇄ 179 | Estroboscopio de pulso, lento a rápido              |
|           |                        | 180 ⇄ 189 | Sin función   |
|           |                        | 190 ⇄ 255 | Estroboscopio aleatorio, lento a rápido             |
| 16        | Rojo 2                 | 000 ⇄ 255 | 0-100%  |
| 17        | Rojo fino 2            | 000 ⇄ 255 | 0-100%  |
| 18        | Verde 2                | 000 ⇄ 255 | 0-100%  |
| 19        | Verde fino 2           | 000 ⇄ 255 | 0-100%  |
| 20        | Azul 2                 | 000 ⇄ 255 | 0-100%  |
| 21        | Azul fino 2            | 000 ⇄ 255 | 0-100%  |
| 22        | Ámbar 2                | 000 ⇄ 255 | 0-100%  |
| 23        | Ámbar fino 2           | 000 ⇄ 255 | 0-100%  |
| 24        | Blanco 2               | 000 ⇄ 255 | 0-100%  |
| 25        | Blanco fino 2          | 000 ⇄ 255 | 0-100%  |
| 26        | Macros de color 2      | 000 ⇄ 010 | Sin función   |
|           |                        | 011 ⇄ 034 | R: 100%    G: 0-100%    B: 0%    A: 0%    W: 0%     |
|           |                        | 035 ⇄ 059 | R: 100-0%    G: 100%    B: 0%    A: 0%    W: 0%     |
|           |                        | 060 ⇄ 084 | R: 0%    G: 100%    B: 0-100%    A: 0%    W: 0%     |
|           |                        | 084 ⇄ 109 | R: 0%    G: 100-0%    B: 100%    A: 0%    W: 0%     |
|           |                        | 110 ⇄ 134 | R: 0-100%    G: 0%    B: 100%    A: 0%    W: 0%     |
|           |                        | 134 ⇄ 159 | R: 100%    G: 0%    B: 100-0%    A: 0%    W: 0%     |
|           |                        | 160 ⇄ 184 | R: 100%    G: 0-100%    B: 0-100%    A: 0%    W: 0% |
|           |                        | 184 ⇄ 209 | R: 100-0%    G: 100-0%    B: 100%    A: 0%    W: 0% |
|           |                        | 210 ⇄ 255 | R: 100%    G: 100%    B: 100%    A: 100%    W: 100% |



| Canal     | Función                       | Valor     | Porcentaje/Configuración                            |
|-----------|-------------------------------|-----------|---|
| <b>27</b> | <b>Temperatura de color 2</b> | 000 ⇔ 010 | Sin función   |
|           |                               | 011 ⇔ 028 | Blanco 1  |
|           |                               | 029 ⇔ 046 | Blanco 2  |
|           |                               | 047 ⇔ 064 | Blanco 3  |
|           |                               | 065 ⇔ 082 | Blanco 4  |
|           |                               | 083 ⇔ 100 | Blanco 5  |
|           |                               | 101 ⇔ 118 | Blanco 6  |
|           |                               | 119 ⇔ 136 | Blanco 7  |
|           |                               | 137 ⇔ 154 | Blanco 8  |
|           |                               | 155 ⇔ 172 | Blanco 9  |
|           |                               | 173 ⇔ 190 | Blanco 10   |
|           |                               | 191 ⇔ 208 | Blanco 11   |
|           |                               | 209 ⇔ 226 | Blanco 12   |
|           |                               | 227 ⇔ 244 | Blanco 13   |
| 245 ⇔ 255 | Blanco 14                     |           |   |
| <b>28</b> | <b>Estroboscopio 2</b>        | 000 ⇔ 009 | Sin función   |
|           |                               | 010 ⇔ 099 | Estroboscopio, lento a rápido                       |
|           |                               | 100 ⇔ 109 | Sin función   |
|           |                               | 110 ⇔ 179 | Estroboscopio de pulso, lento a rápido              |
|           |                               | 180 ⇔ 189 | Sin función   |
|           |                               | 190 ⇔ 255 | Estroboscopio aleatorio, lento a rápido             |
| <b>29</b> | <b>Rojo 3</b>                 | 000 ⇔ 255 | 0–100%  |
| <b>30</b> | <b>Rojo fino 3</b>            | 000 ⇔ 255 | 0–100%  |
| <b>31</b> | <b>Verde 3</b>                | 000 ⇔ 255 | 0–100%  |
| <b>32</b> | <b>Verde fino 3</b>           | 000 ⇔ 255 | 0–100%  |
| <b>33</b> | <b>Azul 3</b>                 | 000 ⇔ 255 | 0–100%  |
| <b>34</b> | <b>Azul fino 3</b>            | 000 ⇔ 255 | 0–100%  |
| <b>35</b> | <b>Ámbar 3</b>                | 000 ⇔ 255 | 0–100%  |
| <b>36</b> | <b>Ámbar fino 3</b>           | 000 ⇔ 255 | 0–100%  |
| <b>37</b> | <b>Blanco 3</b>               | 000 ⇔ 255 | 0–100%  |
| <b>38</b> | <b>Blanco fino 3</b>          | 000 ⇔ 255 | 0–100%  |
| <b>39</b> | <b>Macros de color 3</b>      | 000 ⇔ 010 | Sin función   |
|           |                               | 011 ⇔ 034 | R: 100%    G: 0–100%    B: 0%    A: 0%    W: 0%     |
|           |                               | 035 ⇔ 059 | R: 100–0%    G: 100%    B: 0%    A: 0%    W: 0%     |
|           |                               | 060 ⇔ 084 | R: 0%    G: 100%    B: 0–100%    A: 0%    W: 0%     |
|           |                               | 084 ⇔ 109 | R: 0%    G: 100–0%    B: 100%    A: 0%    W: 0%     |
|           |                               | 110 ⇔ 134 | R: 0–100%    G: 0%    B: 100%    A: 0%    W: 0%     |
|           |                               | 134 ⇔ 159 | R: 100%    G: 0%    B: 100–0%    A: 0%    W: 0%     |
|           |                               | 160 ⇔ 184 | R: 100%    G: 0–100%    B: 0–100%    A: 0%    W: 0% |
|           |                               | 184 ⇔ 209 | R: 100–0%    G: 100–0%    B: 100%    A: 0%    W: 0% |
|           |                               | 210 ⇔ 255 | R: 100%    G: 100%    B: 100%    A: 100%    W: 100% |

| Canal     | Función                | Valor     | Porcentaje/Configuración                               |
|-----------|------------------------|-----------|--|
| 40        | Temperatura de color 3 | 000 ⇔ 010 | Sin función  |
|           |                        | 011 ⇔ 028 | Blanco 1   |
|           |                        | 029 ⇔ 046 | Blanco 2   |
|           |                        | 047 ⇔ 064 | Blanco 3   |
|           |                        | 065 ⇔ 082 | Blanco 4   |
|           |                        | 083 ⇔ 100 | Blanco 5   |
|           |                        | 101 ⇔ 118 | Blanco 6   |
|           |                        | 119 ⇔ 136 | Blanco 7   |
|           |                        | 137 ⇔ 154 | Blanco 8   |
|           |                        | 155 ⇔ 172 | Blanco 9   |
|           |                        | 173 ⇔ 190 | Blanco 10  |
|           |                        | 191 ⇔ 208 | Blanco 11  |
|           |                        | 209 ⇔ 226 | Blanco 12  |
|           |                        | 227 ⇔ 244 | Blanco 13  |
| 245 ⇔ 255 | Blanco 14              |           |  |
| 41        | Estroboscopio 3        | 000 ⇔ 009 | Sin función  |
|           |                        | 010 ⇔ 099 | Estroboscopio, lento a rápido                          |
|           |                        | 100 ⇔ 109 | Sin función  |
|           |                        | 110 ⇔ 179 | Estroboscopio de pulso, lento a rápido                 |
|           |                        | 180 ⇔ 189 | Sin función  |
|           |                        | 190 ⇔ 255 | Estroboscopio aleatorio, lento a rápido                |
| 42        | Estroboscopio todo     | 000 ⇔ 009 | Sin función  |
|           |                        | 010 ⇔ 099 | Estroboscopio, lento a rápido                          |
|           |                        | 100 ⇔ 109 | Sin función  |
|           |                        | 110 ⇔ 179 | Estroboscopio de pulso, lento a rápido                 |
|           |                        | 180 ⇔ 189 | Sin función  |
|           |                        | 190 ⇔ 255 | Estroboscopio aleatorio, lento a rápido                |
| 43        | Velocidad de atenuador | 000 ⇔ 009 | Ajuste de la velocidad del atenuador desde la pantalla |
|           |                        | 010 ⇔ 029 | Modo velocidad del atenuador desactivado               |
|           |                        | 030 ⇔ 069 | Velocidad de atenuador 1 (rápida)                      |
|           |                        | 070 ⇔ 129 | Velocidad de atenuador 2                               |
|           |                        | 130 ⇔ 189 | Velocidad de atenuador 3                               |
|           |                        | 190 ⇔ 255 | Velocidad de atenuador 4 (lenta)                       |

3 RGBAW FIN (30 canales)

| Canal | Función       | Valor     | Porcentaje/Configuración |
|-------|---------------|-----------|--------------------------|
| 1     | Rojo 1        | 000 ⇔ 255 | 0-100%                   |
| 2     | Rojo fino 1   | 000 ⇔ 255 | 0-100%                   |
| 3     | Verde 1       | 000 ⇔ 255 | 0-100%                   |
| 4     | Verde fino 1  | 000 ⇔ 255 | 0-100%                   |
| 5     | Azul 1        | 000 ⇔ 255 | 0-100%                   |
| 6     | Azul fino 1   | 000 ⇔ 255 | 0-100%                   |
| 7     | Ámbar 1       | 000 ⇔ 255 | 0-100%                   |
| 8     | Ámbar fino 1  | 000 ⇔ 255 | 0-100%                   |
| 9     | Blanco 1      | 000 ⇔ 255 | 0-100%                   |
| 10    | Blanco fino 1 | 000 ⇔ 255 | 0-100%                   |
| 11    | Rojo 2        | 000 ⇔ 255 | 0-100%                   |
| 12    | Rojo fino 2   | 000 ⇔ 255 | 0-100%                   |
| 13    | Verde 2       | 000 ⇔ 255 | 0-100%                   |
| 14    | Verde fino 2  | 000 ⇔ 255 | 0-100%                   |
| 15    | Azul 2        | 000 ⇔ 255 | 0-100%                   |
| 16    | Azul fino 2   | 000 ⇔ 255 | 0-100%                   |
| 17    | Ámbar 2       | 000 ⇔ 255 | 0-100%                   |
| 18    | Ámbar fino 2  | 000 ⇔ 255 | 0-100%                   |
| 19    | Blanco 2      | 000 ⇔ 255 | 0-100%                   |

| Canal | Función       | Valor     | Porcentaje/Configuración |
|-------|---------------|-----------|--------------------------|
| 20    | Blanco fino 2 | 000 ⇔ 255 | 0–100%                   |
| 21    | Rojo 3        | 000 ⇔ 255 | 0–100%                   |
| 22    | Rojo fino 3   | 000 ⇔ 255 | 0–100%                   |
| 23    | Verde 3       | 000 ⇔ 255 | 0–100%                   |
| 24    | Verde fino 3  | 000 ⇔ 255 | 0–100%                   |
| 25    | Azul 3        | 000 ⇔ 255 | 0–100%                   |
| 26    | Azul fino 3   | 000 ⇔ 255 | 0–100%                   |
| 27    | Ámbar 3       | 000 ⇔ 255 | 0–100%                   |
| 28    | Ámbar fino 3  | 000 ⇔ 255 | 0–100%                   |
| 29    | Blanco 3      | 000 ⇔ 255 | 0–100%                   |
| 30    | Blanco fino 3 | 000 ⇔ 255 | 0–100%                   |

**3 RGBAW EXT (27 canales)**

| Canal     | Función                                 | Valor     | Porcentaje/Configuración                |
|-----------|---|-----------|---|
| 1         | Atenuador                               | 000 ⇔ 255 | 0–100%                                  |
| 2         | Atenuador fino                          | 000 ⇔ 255 | 0–100%                                  |
| 3         | Rojo 1                                  | 000 ⇔ 255 | 0–100%                                  |
| 4         | Verde 1                                 | 000 ⇔ 255 | 0–100%                                  |
| 5         | Azul 1                                  | 000 ⇔ 255 | 0–100%                                  |
| 6         | Ámbar 1                                 | 000 ⇔ 255 | 0–100%                                  |
| 7         | Blanco 1                                | 000 ⇔ 255 | 0–100%                                  |
| 8         | Macros de color 1                       | 000 ⇔ 010 | Sin función                             |
|           |   | 011 ⇔ 034 | R: 100% G: 0–100% B: 0% A: 0% W: 0%     |
|           |   | 035 ⇔ 059 | R: 100–0% G: 100% B: 0% A: 0% W: 0%     |
|           |   | 060 ⇔ 084 | R: 0% G: 100% B: 0–100% A: 0% W: 0%     |
|           |   | 084 ⇔ 109 | R: 0% G: 100–0% B: 100% A: 0% W: 0%     |
|           |   | 110 ⇔ 134 | R: 0–100% G: 0% B: 100% A: 0% W: 0%     |
|           |   | 134 ⇔ 159 | R: 100% G: 0% B: 100–0% A: 0% W: 0%     |
|           |   | 160 ⇔ 184 | R: 100% G: 0–100% B: 0–100% A: 0% W: 0% |
| 184 ⇔ 209 | R: 100–0% G: 100–0% B: 100% A: 0% W: 0% |           |   |
| 210 ⇔ 255 | R: 100% G: 100% B: 100% A: 100% W: 100% |           |   |
| 9         | Temperatura de color 1                  | 000 ⇔ 010 | Sin función                             |
|           |   | 011 ⇔ 028 | Blanco 1                                |
|           |   | 029 ⇔ 046 | Blanco 2                                |
|           |   | 047 ⇔ 064 | Blanco 3                                |
|           |   | 065 ⇔ 082 | Blanco 4                                |
|           |   | 083 ⇔ 100 | Blanco 5                                |
|           |   | 101 ⇔ 118 | Blanco 6                                |
|           |   | 119 ⇔ 136 | Blanco 7                                |
|           |   | 137 ⇔ 154 | Blanco 8                                |
|           |   | 155 ⇔ 172 | Blanco 9                                |
|           |   | 173 ⇔ 190 | Blanco 10                               |
|           |   | 191 ⇔ 208 | Blanco 11                               |
|           |   | 209 ⇔ 226 | Blanco 12                               |
|           |   | 227 ⇔ 244 | Blanco 13                               |
| 245 ⇔ 255 | Blanco 14                               |           |   |
| 10        | Estroboscopio 1                         | 000 ⇔ 009 | Sin función                             |
|           |   | 010 ⇔ 099 | Estroboscopio, lento a rápido           |
|           |   | 100 ⇔ 109 | Sin función                             |
|           |   | 110 ⇔ 179 | Estroboscopio de pulso, lento a rápido  |
|           |   | 180 ⇔ 189 | Sin función                             |
|           |   | 190 ⇔ 255 | Estroboscopio aleatorio, lento a rápido |
| 11        | Rojo 2                                  | 000 ⇔ 255 | 0–100%                                  |
| 12        | Verde 2                                 | 000 ⇔ 255 | 0–100%                                  |
| 13        | Azul 2                                  | 000 ⇔ 255 | 0–100%                                  |

| Canal     | Función                                 | Valor     | Porcentaje/Configuración                |
|-----------|---|-----------|---|
| 14        | Ambar 2                                 | 000 ⇄ 255 | 0-100%                                  |
| 15        | Blanco 2                                | 000 ⇄ 255 | 0-100%                                  |
| 16        | Macros de color 2                       | 000 ⇄ 010 | Sin función                             |
|           |   | 011 ⇄ 034 | R: 100% G: 0-100% B: 0% A: 0% W: 0%     |
|           |   | 035 ⇄ 059 | R: 100-0% G: 100% B: 0% A: 0% W: 0%     |
|           |   | 060 ⇄ 084 | R: 0% G: 100% B: 0-100% A: 0% W: 0%     |
|           |   | 084 ⇄ 109 | R: 0% G: 100-0% B: 100% A: 0% W: 0%     |
|           |   | 110 ⇄ 134 | R: 0-100% G: 0% B: 100% A: 0% W: 0%     |
|           |   | 134 ⇄ 159 | R: 100% G: 0% B: 100-0% A: 0% W: 0%     |
|           |   | 160 ⇄ 184 | R: 100% G: 0-100% B: 0-100% A: 0% W: 0% |
|           |   | 184 ⇄ 209 | R: 100-0% G: 100-0% B: 100% A: 0% W: 0% |
| 210 ⇄ 255 | R: 100% G: 100% B: 100% A: 100% W: 100% |           |   |
| 17        | Temperatura de color 2                  | 000 ⇄ 010 | Sin función                             |
|           |   | 011 ⇄ 028 | Blanco 1                                |
|           |   | 029 ⇄ 046 | Blanco 2                                |
|           |   | 047 ⇄ 064 | Blanco 3                                |
|           |   | 065 ⇄ 082 | Blanco 4                                |
|           |   | 083 ⇄ 100 | Blanco 5                                |
|           |   | 101 ⇄ 118 | Blanco 6                                |
|           |   | 119 ⇄ 136 | Blanco 7                                |
|           |   | 137 ⇄ 154 | Blanco 8                                |
|           |   | 155 ⇄ 172 | Blanco 9                                |
|           |   | 173 ⇄ 190 | Blanco 10                               |
|           |   | 191 ⇄ 208 | Blanco 11                               |
|           |   | 209 ⇄ 226 | Blanco 12                               |
|           |   | 227 ⇄ 244 | Blanco 13                               |
| 245 ⇄ 255 | Blanco 14                               |           |   |
| 18        | Estroboscopio 2                         | 000 ⇄ 009 | Sin función                             |
|           |   | 010 ⇄ 099 | Estroboscopio, lento a rápido           |
|           |   | 100 ⇄ 109 | Sin función                             |
|           |   | 110 ⇄ 179 | Estroboscopio de pulso, lento a rápido  |
|           |   | 180 ⇄ 189 | Sin función                             |
|           |   | 190 ⇄ 255 | Estroboscopio aleatorio, lento a rápido |
| 19        | Rojo 3                                  | 000 ⇄ 255 | 0-100%                                  |
| 20        | Verde 3                                 | 000 ⇄ 255 | 0-100%                                  |
| 21        | Azul 3                                  | 000 ⇄ 255 | 0-100%                                  |
| 22        | Ámbar 3                                 | 000 ⇄ 255 | 0-100%                                  |
| 23        | Blanco 3                                | 000 ⇄ 255 | 0-100%                                  |
| 24        | Macros de color 3                       | 000 ⇄ 010 | Sin función                             |
|           |   | 011 ⇄ 034 | R: 100% G: 0-100% B: 0% A: 0% W: 0%     |
|           |   | 035 ⇄ 059 | R: 100-0% G: 100% B: 0% A: 0% W: 0%     |
|           |   | 060 ⇄ 084 | R: 0% G: 100% B: 0-100% A: 0% W: 0%     |
|           |   | 084 ⇄ 109 | R: 0% G: 100-0% B: 100% A: 0% W: 0%     |
|           |   | 110 ⇄ 134 | R: 0-100% G: 0% B: 100% A: 0% W: 0%     |
|           |   | 134 ⇄ 159 | R: 100% G: 0% B: 100-0% A: 0% W: 0%     |
|           |   | 160 ⇄ 184 | R: 100% G: 0-100% B: 0-100% A: 0% W: 0% |
|           |   | 184 ⇄ 209 | R: 100-0% G: 100-0% B: 100% A: 0% W: 0% |
| 210 ⇄ 255 | R: 100% G: 100% B: 100% A: 100% W: 100% |           |   |

| Canal     | Función                | Valor     | Porcentaje/Configuración                |
|-----------|------------------------|-----------|---|
| 25        | Temperatura de color 3 | 000 ⇔ 010 | Sin función                             |
|           |                        | 011 ⇔ 028 | Blanco 1                                |
|           |                        | 029 ⇔ 046 | Blanco 2                                |
|           |                        | 047 ⇔ 064 | Blanco 3                                |
|           |                        | 065 ⇔ 082 | Blanco 4                                |
|           |                        | 083 ⇔ 100 | Blanco 5                                |
|           |                        | 101 ⇔ 118 | Blanco 6                                |
|           |                        | 119 ⇔ 136 | Blanco 7                                |
|           |                        | 137 ⇔ 154 | Blanco 8                                |
|           |                        | 155 ⇔ 172 | Blanco 9                                |
|           |                        | 173 ⇔ 190 | Blanco 10                               |
|           |                        | 191 ⇔ 208 | Blanco 11                               |
|           |                        | 209 ⇔ 226 | Blanco 12                               |
|           |                        | 227 ⇔ 244 | Blanco 13                               |
| 245 ⇔ 255 | Blanco 14              |           |   |
| 26        | Estroboscopio 3        | 000 ⇔ 009 | Sin función                             |
|           |                        | 010 ⇔ 099 | Estroboscopio, lento a rápido           |
|           |                        | 100 ⇔ 109 | Sin función                             |
|           |                        | 110 ⇔ 179 | Estroboscopio de pulso, lento a rápido  |
|           |                        | 180 ⇔ 189 | Sin función                             |
|           |                        | 190 ⇔ 255 | Estroboscopio aleatorio, lento a rápido |
| 27        | Estroboscopio todo     | 000 ⇔ 009 | Sin función                             |
|           |                        | 010 ⇔ 099 | Estroboscopio, lento a rápido           |
|           |                        | 100 ⇔ 109 | Sin función                             |
|           |                        | 110 ⇔ 179 | Estroboscopio de pulso, lento a rápido  |
|           |                        | 180 ⇔ 189 | Sin función                             |
|           |                        | 190 ⇔ 255 | Estroboscopio aleatorio, lento a rápido |

**3 RGBAW (15 canales)**

| Canal | Función  | Valor     | Porcentaje/Configuración |
|-------|----------|-----------|--------------------------|
| 1     | Rojo 1   | 000 ⇔ 255 | 0–100%                   |
| 2     | Verde 1  | 000 ⇔ 255 | 0–100%                   |
| 3     | Azul 1   | 000 ⇔ 255 | 0–100%                   |
| 4     | Ámbar 1  | 000 ⇔ 255 | 0–100%                   |
| 5     | Blanco 1 | 000 ⇔ 255 | 0–100%                   |
| 6     | Rojo 2   | 000 ⇔ 255 | 0–100%                   |
| 7     | Verde 2  | 000 ⇔ 255 | 0–100%                   |
| 8     | Azul 2   | 000 ⇔ 255 | 0–100%                   |
| 9     | Ámbar 2  | 000 ⇔ 255 | 0–100%                   |
| 10    | Blanco 2 | 000 ⇔ 255 | 0–100%                   |
| 11    | Rojo 3   | 000 ⇔ 255 | 0–100%                   |
| 12    | Verde 3  | 000 ⇔ 255 | 0–100%                   |
| 13    | Azul 3   | 000 ⇔ 255 | 0–100%                   |
| 14    | Ámbar 3  | 000 ⇔ 255 | 0–100%                   |
| 15    | Blanco 3 | 000 ⇔ 255 | 0–100%                   |

**3 RGBA EXT (24 canales)**

| Canal | Función        | Valor     | Porcentaje/Configuración |
|-------|----------------|-----------|--------------------------|
| 1     | Atenuador      | 000 ⇔ 255 | 0–100%                   |
| 2     | Atenuador fino | 000 ⇔ 255 | 0–100%                   |
| 3     | Rojo 1         | 000 ⇔ 255 | 0–100%                   |
| 4     | Verde 1        | 000 ⇔ 255 | 0–100%                   |
| 5     | Azul 1         | 000 ⇔ 255 | 0–100%                   |
| 6     | Ámbar 1        | 000 ⇔ 255 | 0–100%                   |

| Canal | Función                | Valor     | Porcentaje/Configuración                |
|-------|------------------------|-----------|---|
| 7     | Macros de color 1      | 000 ⇄ 010 | Sin función                             |
|       |                        | 011 ⇄ 034 | R: 100% G: 0-100% B: 0% A: 0% W: 0%     |
|       |                        | 035 ⇄ 059 | R: 100-0% G: 100% B: 0% A: 0% W: 0%     |
|       |                        | 060 ⇄ 084 | R: 0% G: 100% B: 0-100% A: 0% W: 0%     |
|       |                        | 084 ⇄ 109 | R: 0% G: 100-0% B: 100% A: 0% W: 0%     |
|       |                        | 110 ⇄ 134 | R: 0-100% G: 0% B: 100% A: 0% W: 0%     |
|       |                        | 134 ⇄ 159 | R: 100% G: 0% B: 100-0% A: 0% W: 0%     |
|       |                        | 160 ⇄ 184 | R: 100% G: 0-100% B: 0-100% A: 0% W: 0% |
|       |                        | 184 ⇄ 209 | R: 100-0% G: 100-0% B: 100% A: 0% W: 0% |
|       |                        | 210 ⇄ 255 | R: 100% G: 100% B: 100% A: 100% W: 100% |
| 8     | Temperatura de color 1 | 000 ⇄ 010 | Sin función                             |
|       |                        | 011 ⇄ 028 | Blanco 1                                |
|       |                        | 029 ⇄ 046 | Blanco 2                                |
|       |                        | 047 ⇄ 064 | Blanco 3                                |
|       |                        | 065 ⇄ 082 | Blanco 4                                |
|       |                        | 083 ⇄ 100 | Blanco 5                                |
|       |                        | 101 ⇄ 118 | Blanco 6                                |
|       |                        | 119 ⇄ 136 | Blanco 7                                |
|       |                        | 137 ⇄ 154 | Blanco 8                                |
|       |                        | 155 ⇄ 172 | Blanco 9                                |
|       |                        | 173 ⇄ 190 | Blanco 10                               |
|       |                        | 191 ⇄ 208 | Blanco 11                               |
|       |                        | 209 ⇄ 226 | Blanco 12                               |
|       |                        | 227 ⇄ 244 | Blanco 13                               |
|       |                        | 245 ⇄ 255 | Blanco 14                               |
| 9     | Estroboscopio 1        | 000 ⇄ 009 | Sin función                             |
|       |                        | 010 ⇄ 099 | Estroboscopio, lento a rápido           |
|       |                        | 100 ⇄ 109 | Sin función                             |
|       |                        | 110 ⇄ 179 | Estroboscopio de pulso, lento a rápido  |
|       |                        | 180 ⇄ 189 | Sin función                             |
|       |                        | 190 ⇄ 255 | Estroboscopio aleatorio, lento a rápido |
| 10    | Rojo 2                 | 000 ⇄ 255 | 0-100%                                  |
| 11    | Verde 2                | 000 ⇄ 255 | 0-100%                                  |
| 12    | Azul 2                 | 000 ⇄ 255 | 0-100%                                  |
| 13    | Ámbar 2                | 000 ⇄ 255 | 0-100%                                  |
| 14    | Macros de color 2      | 000 ⇄ 010 | Sin función                             |
|       |                        | 011 ⇄ 034 | R: 100% G: 0-100% B: 0% A: 0% W: 0%     |
|       |                        | 035 ⇄ 059 | R: 100-0% G: 100% B: 0% A: 0% W: 0%     |
|       |                        | 060 ⇄ 084 | R: 0% G: 100% B: 0-100% A: 0% W: 0%     |
|       |                        | 084 ⇄ 109 | R: 0% G: 100-0% B: 100% A: 0% W: 0%     |
|       |                        | 110 ⇄ 134 | R: 0-100% G: 0% B: 100% A: 0% W: 0%     |
|       |                        | 134 ⇄ 159 | R: 100% G: 0% B: 100-0% A: 0% W: 0%     |
|       |                        | 160 ⇄ 184 | R: 100% G: 0-100% B: 0-100% A: 0% W: 0% |
|       |                        | 184 ⇄ 209 | R: 100-0% G: 100-0% B: 100% A: 0% W: 0% |
|       |                        | 210 ⇄ 255 | R: 100% G: 100% B: 100% A: 100% W: 100% |

| Canal     | Función                       | Valor     | Porcentaje/Configuración                |
|-----------|-------------------------------|-----------|---|
| <b>15</b> | <b>Temperatura de color 2</b> | 000 ⇔ 010 | Sin función                             |
|           |                               | 011 ⇔ 028 | Blanco 1                                |
|           |                               | 029 ⇔ 046 | Blanco 2                                |
|           |                               | 047 ⇔ 064 | Blanco 3                                |
|           |                               | 065 ⇔ 082 | Blanco 4                                |
|           |                               | 083 ⇔ 100 | Blanco 5                                |
|           |                               | 101 ⇔ 118 | Blanco 6                                |
|           |                               | 119 ⇔ 136 | Blanco 7                                |
|           |                               | 137 ⇔ 154 | Blanco 8                                |
|           |                               | 155 ⇔ 172 | Blanco 9                                |
|           |                               | 173 ⇔ 190 | Blanco 10                               |
|           |                               | 191 ⇔ 208 | Blanco 11                               |
|           |                               | 209 ⇔ 226 | Blanco 12                               |
|           |                               | 227 ⇔ 244 | Blanco 13                               |
| 245 ⇔ 255 | Blanco 14                     |           |   |
| <b>16</b> | <b>Estroboscopio 2</b>        | 000 ⇔ 009 | Sin función                             |
|           |                               | 010 ⇔ 099 | Estroboscopio, lento a rápido           |
|           |                               | 100 ⇔ 109 | Sin función                             |
|           |                               | 110 ⇔ 179 | Estroboscopio de pulso, lento a rápido  |
|           |                               | 180 ⇔ 189 | Sin función                             |
|           |                               | 190 ⇔ 255 | Estroboscopio aleatorio, lento a rápido |
| <b>17</b> | <b>Rojo 3</b>                 | 000 ⇔ 255 | 0–100%                                  |
| <b>18</b> | <b>Verde 3</b>                | 000 ⇔ 255 | 0–100%                                  |
| <b>19</b> | <b>Azul 3</b>                 | 000 ⇔ 255 | 0–100%                                  |
| <b>20</b> | <b>Ámbar 3</b>                | 000 ⇔ 255 | 0–100%                                  |
| <b>21</b> | <b>Macros de color 3</b>      | 000 ⇔ 010 | Sin función                             |
|           |                               | 011 ⇔ 034 | R: 100% G: 0–100% B: 0% A: 0% W: 0%     |
|           |                               | 035 ⇔ 059 | R: 100–0% G: 100% B: 0% A: 0% W: 0%     |
|           |                               | 060 ⇔ 084 | R: 0% G: 100% B: 0–100% A: 0% W: 0%     |
|           |                               | 084 ⇔ 109 | R: 0% G: 100–0% B: 100% A: 0% W: 0%     |
|           |                               | 110 ⇔ 134 | R: 0–100% G: 0% B: 100% A: 0% W: 0%     |
|           |                               | 134 ⇔ 159 | R: 100% G: 0% B: 100–0% A: 0% W: 0%     |
|           |                               | 160 ⇔ 184 | R: 100% G: 0–100% B: 0–100% A: 0% W: 0% |
|           |                               | 184 ⇔ 209 | R: 100–0% G: 100–0% B: 100% A: 0% W: 0% |
|           |                               | 210 ⇔ 255 | R: 100% G: 100% B: 100% A: 100% W: 100% |
| <b>22</b> | <b>Temperatura de color 3</b> | 000 ⇔ 010 | Sin función                             |
|           |                               | 011 ⇔ 028 | Blanco 1                                |
|           |                               | 029 ⇔ 046 | Blanco 2                                |
|           |                               | 047 ⇔ 064 | Blanco 3                                |
|           |                               | 065 ⇔ 082 | Blanco 4                                |
|           |                               | 083 ⇔ 100 | Blanco 5                                |
|           |                               | 101 ⇔ 118 | Blanco 6                                |
|           |                               | 119 ⇔ 136 | Blanco 7                                |
|           |                               | 137 ⇔ 154 | Blanco 8                                |
|           |                               | 155 ⇔ 172 | Blanco 9                                |
|           |                               | 173 ⇔ 190 | Blanco 10                               |
|           |                               | 191 ⇔ 208 | Blanco 11                               |
|           |                               | 209 ⇔ 226 | Blanco 12                               |
|           |                               | 227 ⇔ 244 | Blanco 13                               |
| 245 ⇔ 255 | Blanco 14                     |           |   |

ES

| Canal | Función            | Valor     | Porcentaje/Configuración                |
|-------|--------------------|-----------|---|
| 23    | Estroboscopio 3    | 000 ⇔ 009 | Sin función                             |
|       |                    | 010 ⇔ 099 | Estroboscopio, lento a rápido           |
|       |                    | 100 ⇔ 109 | Sin función                             |
|       |                    | 110 ⇔ 179 | Estroboscopio de pulso, lento a rápido  |
|       |                    | 180 ⇔ 189 | Sin función                             |
|       |                    | 190 ⇔ 255 | Estroboscopio aleatorio, lento a rápido |
| 24    | Estroboscopio todo | 000 ⇔ 009 | Sin función                             |
|       |                    | 010 ⇔ 099 | Estroboscopio, lento a rápido           |
|       |                    | 100 ⇔ 109 | Sin función                             |
|       |                    | 110 ⇔ 179 | Estroboscopio de pulso, lento a rápido  |
|       |                    | 180 ⇔ 189 | Sin función                             |
|       |                    | 190 ⇔ 255 | Estroboscopio aleatorio, lento a rápido |

3 RGBA (12 canales)

| Canal | Función | Valor     | Porcentaje/Configuración |
|-------|---------|-----------|--------------------------|
| 1     | Rojo 1  | 000 ⇔ 255 | 0–100%                   |
| 2     | Verde 1 | 000 ⇔ 255 | 0–100%                   |
| 3     | Azul 1  | 000 ⇔ 255 | 0–100%                   |
| 4     | Ámbar 1 | 000 ⇔ 255 | 0–100%                   |
| 5     | Rojo 2  | 000 ⇔ 255 | 0–100%                   |
| 6     | Verde 2 | 000 ⇔ 255 | 0–100%                   |
| 7     | Azul 2  | 000 ⇔ 255 | 0–100%                   |
| 8     | Ámbar 2 | 000 ⇔ 255 | 0–100%                   |
| 9     | Rojo 3  | 000 ⇔ 255 | 0–100%                   |
| 10    | Verde 3 | 000 ⇔ 255 | 0–100%                   |
| 11    | Azul 3  | 000 ⇔ 255 | 0–100%                   |
| 12    | Ámbar 3 | 000 ⇔ 255 | 0–100%                   |

3 RGB EXT (21 canales)

| Canal | Función           | Valor     | Porcentaje/Configuración                            |
|-------|-------------------|-----------|---|
| 1     | Atenuador         | 000 ⇔ 255 | 0–100%  |
| 2     | Atenuador fino    | 000 ⇔ 255 | 0–100%  |
| 3     | Rojo 1            | 000 ⇔ 255 | 0–100%  |
| 4     | Verde 1           | 000 ⇔ 255 | 0–100%  |
| 5     | Azul 1            | 000 ⇔ 255 | 0–100%  |
| 6     | Macros de color 1 | 000 ⇔ 010 | Sin función   |
|       |                   | 011 ⇔ 034 | R: 100%    G: 0–100%    B: 0%    A: 0%    W: 0%     |
|       |                   | 035 ⇔ 059 | R: 100–0%    G: 100%    B: 0%    A: 0%    W: 0%     |
|       |                   | 060 ⇔ 084 | R: 0%    G: 100%    B: 0–100%    A: 0%    W: 0%     |
|       |                   | 084 ⇔ 109 | R: 0%    G: 100–0%    B: 100%    A: 0%    W: 0%     |
|       |                   | 110 ⇔ 134 | R: 0–100%    G: 0%    B: 100%    A: 0%    W: 0%     |
|       |                   | 134 ⇔ 159 | R: 100%    G: 0%    B: 100–0%    A: 0%    W: 0%     |
|       |                   | 160 ⇔ 184 | R: 100%    G: 0–100%    B: 0–100%    A: 0%    W: 0% |
|       |                   | 184 ⇔ 209 | R: 100–0%    G: 100–0%    B: 100%    A: 0%    W: 0% |
|       |                   | 210 ⇔ 255 | R: 100%    G: 100%    B: 100%    A: 100%    W: 100% |



| Canal     | Función                       | Valor     | Porcentaje/Configuración                            |
|-----------|-------------------------------|-----------|---|
| <b>7</b>  | <b>Temperatura de color 1</b> | 000 ⇔ 010 | Sin función   |
|           |                               | 011 ⇔ 028 | Blanco 1  |
|           |                               | 029 ⇔ 046 | Blanco 2  |
|           |                               | 047 ⇔ 064 | Blanco 3  |
|           |                               | 065 ⇔ 082 | Blanco 4  |
|           |                               | 083 ⇔ 100 | Blanco 5  |
|           |                               | 101 ⇔ 118 | Blanco 6  |
|           |                               | 119 ⇔ 136 | Blanco 7  |
|           |                               | 137 ⇔ 154 | Blanco 8  |
|           |                               | 155 ⇔ 172 | Blanco 9  |
|           |                               | 173 ⇔ 190 | Blanco 10   |
|           |                               | 191 ⇔ 208 | Blanco 11   |
|           |                               | 209 ⇔ 226 | Blanco 12   |
|           |                               | 227 ⇔ 244 | Blanco 13   |
| 245 ⇔ 255 | Blanco 14                     |           |   |
| <b>8</b>  | <b>Estroboscopio 1</b>        | 000 ⇔ 009 | Sin función   |
|           |                               | 010 ⇔ 099 | Estroboscopio, lento a rápido                       |
|           |                               | 100 ⇔ 109 | Sin función   |
|           |                               | 110 ⇔ 179 | Estroboscopio de pulso, lento a rápido              |
|           |                               | 180 ⇔ 189 | Sin función   |
|           |                               | 190 ⇔ 255 | Estroboscopio aleatorio, lento a rápido             |
| <b>9</b>  | <b>Rojo 2</b>                 | 000 ⇔ 255 | 0–100%  |
| <b>10</b> | <b>Verde 2</b>                | 000 ⇔ 255 | 0–100%  |
| <b>11</b> | <b>Azul 2</b>                 | 000 ⇔ 255 | 0–100%  |
| <b>12</b> | <b>Macros de color 2</b>      | 000 ⇔ 010 | Sin función   |
|           |                               | 011 ⇔ 034 | R: 100%    G: 0–100%    B: 0%    A: 0%    W: 0%     |
|           |                               | 035 ⇔ 059 | R: 100–0%    G: 100%    B: 0%    A: 0%    W: 0%     |
|           |                               | 060 ⇔ 084 | R: 0%    G: 100%    B: 0–100%    A: 0%    W: 0%     |
|           |                               | 084 ⇔ 109 | R: 0%    G: 100–0%    B: 100%    A: 0%    W: 0%     |
|           |                               | 110 ⇔ 134 | R: 0–100%    G: 0%    B: 100%    A: 0%    W: 0%     |
|           |                               | 134 ⇔ 159 | R: 100%    G: 0%    B: 100–0%    A: 0%    W: 0%     |
|           |                               | 160 ⇔ 184 | R: 100%    G: 0–100%    B: 0–100%    A: 0%    W: 0% |
|           |                               | 184 ⇔ 209 | R: 100–0%    G: 100–0%    B: 100%    A: 0%    W: 0% |
|           |                               | 210 ⇔ 255 | R: 100%    G: 100%    B: 100%    A: 100%    W: 100% |
| <b>13</b> | <b>Temperatura de color 2</b> | 000 ⇔ 010 | Sin función   |
|           |                               | 011 ⇔ 028 | Blanco 1  |
|           |                               | 029 ⇔ 046 | Blanco 2  |
|           |                               | 047 ⇔ 064 | Blanco 3  |
|           |                               | 065 ⇔ 082 | Blanco 4  |
|           |                               | 083 ⇔ 100 | Blanco 5  |
|           |                               | 101 ⇔ 118 | Blanco 6  |
|           |                               | 119 ⇔ 136 | Blanco 7  |
|           |                               | 137 ⇔ 154 | Blanco 8  |
|           |                               | 155 ⇔ 172 | Blanco 9  |
|           |                               | 173 ⇔ 190 | Blanco 10   |
|           |                               | 191 ⇔ 208 | Blanco 11   |
|           |                               | 209 ⇔ 226 | Blanco 12   |
|           |                               | 227 ⇔ 244 | Blanco 13   |
| 245 ⇔ 255 | Blanco 14                     |           |   |
| <b>14</b> | <b>Estroboscopio 2</b>        | 000 ⇔ 009 | Sin función   |
|           |                               | 010 ⇔ 099 | Estroboscopio, lento a rápido                       |
|           |                               | 100 ⇔ 109 | Sin función   |
|           |                               | 110 ⇔ 179 | Estroboscopio de pulso, lento a rápido              |
|           |                               | 180 ⇔ 189 | Sin función   |
|           |                               | 190 ⇔ 255 | Estroboscopio aleatorio, lento a rápido             |

| Canal     | Función                                 | Valor     | Porcentaje/Configuración                |
|-----------|---|-----------|---|
| 15        | Rojo 3                                  | 000 ⇄ 255 | 0–100%                                  |
| 16        | Verde 3                                 | 000 ⇄ 255 | 0–100%                                  |
| 17        | Azul 3                                  | 000 ⇄ 255 | 0–100%                                  |
| 18        | Macros de color 3                       | 000 ⇄ 010 | Sin función                             |
|           |   | 011 ⇄ 034 | R: 100% G: 0–100% B: 0% A: 0% W: 0%     |
|           |   | 035 ⇄ 059 | R: 100–0% G: 100% B: 0% A: 0% W: 0%     |
|           |   | 060 ⇄ 084 | R: 0% G: 100% B: 0–100% A: 0% W: 0%     |
|           |   | 084 ⇄ 109 | R: 0% G: 100–0% B: 100% A: 0% W: 0%     |
|           |   | 110 ⇄ 134 | R: 0–100% G: 0% B: 100% A: 0% W: 0%     |
|           |   | 134 ⇄ 159 | R: 100% G: 0% B: 100–0% A: 0% W: 0%     |
|           |   | 160 ⇄ 184 | R: 100% G: 0–100% B: 0–100% A: 0% W: 0% |
|           |   | 184 ⇄ 209 | R: 100–0% G: 100–0% B: 100% A: 0% W: 0% |
| 210 ⇄ 255 | R: 100% G: 100% B: 100% A: 100% W: 100% |           |   |
| 19        | Temperatura de color 3                  | 000 ⇄ 010 | Sin función                             |
|           |   | 011 ⇄ 028 | Blanco 1                                |
|           |   | 029 ⇄ 046 | Blanco 2                                |
|           |   | 047 ⇄ 064 | Blanco 3                                |
|           |   | 065 ⇄ 082 | Blanco 4                                |
|           |   | 083 ⇄ 100 | Blanco 5                                |
|           |   | 101 ⇄ 118 | Blanco 6                                |
|           |   | 119 ⇄ 136 | Blanco 7                                |
|           |   | 137 ⇄ 154 | Blanco 8                                |
|           |   | 155 ⇄ 172 | Blanco 9                                |
|           |   | 173 ⇄ 190 | Blanco 10                               |
|           |   | 191 ⇄ 208 | Blanco 11                               |
|           |   | 209 ⇄ 226 | Blanco 12                               |
|           |   | 227 ⇄ 244 | Blanco 13                               |
| 245 ⇄ 255 | Blanco 14                               |           |   |
| 20        | Estroboscopio 3                         | 000 ⇄ 009 | Sin función                             |
|           |   | 010 ⇄ 099 | Estroboscopio, lento a rápido           |
|           |   | 100 ⇄ 109 | Sin función                             |
|           |   | 110 ⇄ 179 | Estroboscopio de pulso, lento a rápido  |
|           |   | 180 ⇄ 189 | Sin función                             |
|           |   | 190 ⇄ 255 | Estroboscopio aleatorio, lento a rápido |
| 21        | Estroboscopio todo                      | 000 ⇄ 009 | Sin función                             |
|           |   | 010 ⇄ 099 | Estroboscopio, lento a rápido           |
|           |   | 100 ⇄ 109 | Sin función                             |
|           |   | 110 ⇄ 179 | Estroboscopio de pulso, lento a rápido  |
|           |   | 180 ⇄ 189 | Sin función                             |
|           |   | 190 ⇄ 255 | Estroboscopio aleatorio, lento a rápido |

3 RGB (9 canales)

| Canal | Función | Valor     | Porcentaje/Configuración |
|-------|---------|-----------|--------------------------|
| 1     | Rojo 1  | 000 ⇄ 255 | 0–100%                   |
| 2     | Verde 1 | 000 ⇄ 255 | 0–100%                   |
| 3     | Azul 1  | 000 ⇄ 255 | 0–100%                   |
| 4     | Rojo 2  | 000 ⇄ 255 | 0–100%                   |
| 5     | Verde 2 | 000 ⇄ 255 | 0–100%                   |
| 6     | Azul 2  | 000 ⇄ 255 | 0–100%                   |
| 7     | Rojo 3  | 000 ⇄ 255 | 0–100%                   |
| 8     | Verde 3 | 000 ⇄ 255 | 0–100%                   |
| 9     | Azul 3  | 000 ⇄ 255 | 0–100%                   |

**Valores DMX de 1 celda**
**1 HSIC (8 canales)**

| Canal     | Función                                 | Valor     | Porcentaje/Configuración                               |
|-----------|---|-----------|--|
| 1         | Atenuador                               | 000 ⇔ 255 | 0–100%   |
| 2         | Tono                                    | 000 ⇔ 255 | 0–100%   |
| 3         | Tono fino                               | 000 ⇔ 255 | 0–100%   |
| 4         | Saturación                              | 000 ⇔ 255 | 0–100%   |
| 5         | Estroboscopio                           | 000 ⇔ 009 | Sin función  |
|           |   | 010 ⇔ 099 | Estroboscopio, lento a rápido                          |
|           |   | 100 ⇔ 109 | Sin función  |
|           |   | 110 ⇔ 179 | Estroboscopio de pulso, lento a rápido                 |
|           |   | 180 ⇔ 189 | Sin función  |
|           |   | 190 ⇔ 255 | Estroboscopio aleatorio, lento a rápido                |
| 6         | Macros de color                         | 000 ⇔ 010 | Sin función  |
|           |   | 011 ⇔ 034 | R: 100% G: 0–100% B: 0% A: 0% W: 0%                    |
|           |   | 035 ⇔ 059 | R: 100–0% G: 100% B: 0% A: 0% W: 0%                    |
|           |   | 060 ⇔ 084 | R: 0% G: 100% B: 0–100% A: 0% W: 0%                    |
|           |   | 084 ⇔ 109 | R: 0% G: 100–0% B: 100% A: 0% W: 0%                    |
|           |   | 110 ⇔ 134 | R: 0–100% G: 0% B: 100% A: 0% W: 0%                    |
|           |   | 134 ⇔ 159 | R: 100% G: 0% B: 100–0% A: 0% W: 0%                    |
|           |   | 160 ⇔ 184 | R: 100% G: 0–100% B: 0–100% A: 0% W: 0%                |
|           |   | 184 ⇔ 209 | R: 100–0% G: 100–0% B: 100% A: 0% W: 0%                |
| 210 ⇔ 255 | R: 100% G: 100% B: 100% A: 100% W: 100% |           |  |
| 7         | Temperaturas de color                   | 000 ⇔ 010 | Sin función  |
|           |   | 011 ⇔ 028 | Blanco 1   |
|           |   | 029 ⇔ 046 | Blanco 2   |
|           |   | 047 ⇔ 064 | Blanco 3   |
|           |   | 065 ⇔ 082 | Blanco 4   |
|           |   | 083 ⇔ 100 | Blanco 5   |
|           |   | 101 ⇔ 118 | Blanco 6   |
|           |   | 119 ⇔ 136 | Blanco 7   |
|           |   | 137 ⇔ 154 | Blanco 8   |
|           |   | 155 ⇔ 172 | Blanco 9   |
|           |   | 173 ⇔ 190 | Blanco 10  |
|           |   | 191 ⇔ 208 | Blanco 11  |
|           |   | 209 ⇔ 226 | Blanco 12  |
|           |   | 227 ⇔ 244 | Blanco 13  |
|           |   | 245 ⇔ 255 | Blanco 14  |
| 8         | Velocidad de atenuador                  | 000 ⇔ 009 | Ajuste de la velocidad del atenuador desde la pantalla |
|           |   | 010 ⇔ 029 | Modo velocidad del atenuador desactivado               |
|           |   | 030 ⇔ 069 | Velocidad de atenuador 1 (rápida)                      |
|           |   | 070 ⇔ 129 | Velocidad de atenuador 2                               |
|           |   | 130 ⇔ 189 | Velocidad de atenuador 3                               |
|           |   | 190 ⇔ 255 | Velocidad de atenuador 4 (lenta)                       |

**1 RGBAW FUL (16 canales)**

| Canal | Función        | Valor     | Porcentaje/Configuración |
|-------|----------------|-----------|--------------------------|
| 1     | Atenuador      | 000 ⇔ 255 | 0–100%                   |
| 2     | Atenuador fino | 000 ⇔ 255 | 0–100%                   |
| 3     | Rojo           | 000 ⇔ 255 | 0–100%                   |
| 4     | Rojo fino      | 000 ⇔ 255 | 0–100%                   |
| 5     | Verde          | 000 ⇔ 255 | 0–100%                   |
| 6     | Verde fino     | 000 ⇔ 255 | 0–100%                   |
| 7     | Azul           | 000 ⇔ 255 | 0–100%                   |
| 8     | Azul fino      | 000 ⇔ 255 | 0–100%                   |
| 9     | Ámbar          | 000 ⇔ 255 | 0–100%                   |

| Canal     | Función                                 | Valor     | Porcentaje/Configuración                               |
|-----------|---|-----------|--|
| 10        | Ambar fino                              | 000 ⇄ 255 | 0–100%   |
| 11        | Blanco                                  | 000 ⇄ 255 | 0–100%   |
| 12        | Blanco fino                             | 000 ⇄ 255 | 0–100%   |
| 13        | Macros de color                         | 000 ⇄ 010 | Sin función  |
|           |   | 011 ⇄ 034 | R: 100% G: 0–100% B: 0% A: 0% W: 0%                    |
|           |   | 035 ⇄ 059 | R: 100–0% G: 100% B: 0% A: 0% W: 0%                    |
|           |   | 060 ⇄ 084 | R: 0% G: 100% B: 0–100% A: 0% W: 0%                    |
|           |   | 084 ⇄ 109 | R: 0% G: 100–0% B: 100% A: 0% W: 0%                    |
|           |   | 110 ⇄ 134 | R: 0–100% G: 0% B: 100% A: 0% W: 0%                    |
|           |   | 134 ⇄ 159 | R: 100% G: 0% B: 100–0% A: 0% W: 0%                    |
|           |   | 160 ⇄ 184 | R: 100% G: 0–100% B: 0–100% A: 0% W: 0%                |
|           |   | 184 ⇄ 209 | R: 100–0% G: 100–0% B: 100% A: 0% W: 0%                |
| 210 ⇄ 255 | R: 100% G: 100% B: 100% A: 100% W: 100% |           |  |
| 14        | Temperatura de color                    | 000 ⇄ 010 | Sin función  |
|           |   | 011 ⇄ 028 | Blanco 1   |
|           |   | 029 ⇄ 046 | Blanco 2   |
|           |   | 047 ⇄ 064 | Blanco 3   |
|           |   | 065 ⇄ 082 | Blanco 4   |
|           |   | 083 ⇄ 100 | Blanco 5   |
|           |   | 101 ⇄ 118 | Blanco 6   |
|           |   | 119 ⇄ 136 | Blanco 7   |
|           |   | 137 ⇄ 154 | Blanco 8   |
|           |   | 155 ⇄ 172 | Blanco 9   |
|           |   | 173 ⇄ 190 | Blanco 10  |
|           |   | 191 ⇄ 208 | Blanco 11  |
|           |   | 209 ⇄ 226 | Blanco 12  |
|           |   | 227 ⇄ 244 | Blanco 13  |
| 245 ⇄ 255 | Blanco 14                               |           |  |
| 15        | Estroboscopio                           | 000 ⇄ 009 | Sin función  |
|           |   | 010 ⇄ 099 | Estroboscopio, lento a rápido                          |
|           |   | 100 ⇄ 109 | Sin función  |
|           |   | 110 ⇄ 179 | Estroboscopio de pulso, lento a rápido                 |
|           |   | 180 ⇄ 189 | Sin función  |
|           |   | 190 ⇄ 255 | Estroboscopio aleatorio, lento a rápido                |
| 16        | Velocidad de atenuador                  | 000 ⇄ 009 | Ajuste de la velocidad del atenuador desde la pantalla |
|           |   | 010 ⇄ 029 | Modo velocidad del atenuador desactivado               |
|           |   | 030 ⇄ 069 | Velocidad de atenuador 1 (rápida)                      |
|           |   | 070 ⇄ 129 | Velocidad de atenuador 2                               |
|           |   | 130 ⇄ 189 | Velocidad de atenuador 3                               |
|           |   | 190 ⇄ 255 | Velocidad de atenuador 4 (lenta)                       |

1 RGBAW FIN (10 canales)

| Canal | Función     | Valor     | Porcentaje/Configuración |
|-------|-------------|-----------|--------------------------|
| 1     | Rojo        | 000 ⇄ 255 | 0–100%                   |
| 2     | Rojo fino   | 000 ⇄ 255 | 0–100%                   |
| 3     | Verde       | 000 ⇄ 255 | 0–100%                   |
| 4     | Verde fino  | 000 ⇄ 255 | 0–100%                   |
| 5     | Azul        | 000 ⇄ 255 | 0–100%                   |
| 6     | Azul fino   | 000 ⇄ 255 | 0–100%                   |
| 7     | Ámbar       | 000 ⇄ 255 | 0–100%                   |
| 8     | Ámbar fino  | 000 ⇄ 255 | 0–100%                   |
| 9     | Blanco      | 000 ⇄ 255 | 0–100%                   |
| 10    | Blanco fino | 000 ⇄ 255 | 0–100%                   |

**1 RGBAW EXT (10 canales)**

| Canal     | Función                                 | Valor     | Porcentaje/Configuración                |
|-----------|---|-----------|---|
| 1         | Atenuador                               | 000 ⇔ 255 | 0–100%                                  |
| 2         | Atenuador fino                          | 000 ⇔ 255 | 0–100%                                  |
| 3         | Rojo                                    | 000 ⇔ 255 | 0–100%                                  |
| 4         | Verde                                   | 000 ⇔ 255 | 0–100%                                  |
| 5         | Azul                                    | 000 ⇔ 255 | 0–100%                                  |
| 6         | Ámbar                                   | 000 ⇔ 255 | 0–100%                                  |
| 7         | Blanco                                  | 000 ⇔ 255 | 0–100%                                  |
| 8         | Macros de color                         | 000 ⇔ 010 | Sin función                             |
|           |   | 011 ⇔ 034 | R: 100% G: 0–100% B: 0% A: 0% W: 0%     |
|           |   | 035 ⇔ 059 | R: 100–0% G: 100% B: 0% A: 0% W: 0%     |
|           |   | 060 ⇔ 084 | R: 0% G: 100% B: 0–100% A: 0% W: 0%     |
|           |   | 084 ⇔ 109 | R: 0% G: 100–0% B: 100% A: 0% W: 0%     |
|           |   | 110 ⇔ 134 | R: 0–100% G: 0% B: 100% A: 0% W: 0%     |
|           |   | 134 ⇔ 159 | R: 100% G: 0% B: 100–0% A: 0% W: 0%     |
|           |   | 160 ⇔ 184 | R: 100% G: 0–100% B: 0–100% A: 0% W: 0% |
|           |   | 184 ⇔ 209 | R: 100–0% G: 100–0% B: 100% A: 0% W: 0% |
| 210 ⇔ 255 | R: 100% G: 100% B: 100% A: 100% W: 100% |           |   |
| 9         | Temperatura de color                    | 000 ⇔ 010 | Sin función                             |
|           |   | 011 ⇔ 028 | Blanco 1                                |
|           |   | 029 ⇔ 046 | Blanco 2                                |
|           |   | 047 ⇔ 064 | Blanco 3                                |
|           |   | 065 ⇔ 082 | Blanco 4                                |
|           |   | 083 ⇔ 100 | Blanco 5                                |
|           |   | 101 ⇔ 118 | Blanco 6                                |
|           |   | 119 ⇔ 136 | Blanco 7                                |
|           |   | 137 ⇔ 154 | Blanco 8                                |
|           |   | 155 ⇔ 172 | Blanco 9                                |
|           |   | 173 ⇔ 190 | Blanco 10                               |
|           |   | 191 ⇔ 208 | Blanco 11                               |
|           |   | 209 ⇔ 226 | Blanco 12                               |
|           |   | 227 ⇔ 244 | Blanco 13                               |
| 245 ⇔ 255 | Blanco 14                               |           |   |
| 10        | Estroboscopio                           | 000 ⇔ 009 | Sin función                             |
|           |   | 010 ⇔ 099 | Estroboscopio, lento a rápido           |
|           |   | 100 ⇔ 109 | Sin función                             |
|           |   | 110 ⇔ 179 | Estroboscopio de pulso, lento a rápido  |
|           |   | 180 ⇔ 189 | Sin función                             |
|           |   | 190 ⇔ 255 | Estroboscopio aleatorio, lento a rápido |

**1 RGBAW (5 canales)**

| Canal | Función | Valor     | Porcentaje/Configuración |
|-------|---------|-----------|--------------------------|
| 1     | Rojo    | 000 ⇔ 255 | 0–100%                   |
| 2     | Verde   | 000 ⇔ 255 | 0–100%                   |
| 3     | Azul    | 000 ⇔ 255 | 0–100%                   |
| 4     | Ámbar   | 000 ⇔ 255 | 0–100%                   |
| 5     | Blanco  | 000 ⇔ 255 | 0–100%                   |

**1 RGBA EXT (9 canales)**

| Canal | Función        | Valor     | Porcentaje/Configuración |
|-------|----------------|-----------|--------------------------|
| 1     | Atenuador      | 000 ⇔ 255 | 0–100%                   |
| 2     | Atenuador fino | 000 ⇔ 255 | 0–100%                   |
| 3     | Rojo           | 000 ⇔ 255 | 0–100%                   |
| 4     | Verde          | 000 ⇔ 255 | 0–100%                   |

| Canal     | Función              | Valor     | Porcentaje/Configuración                |
|-----------|----------------------|-----------|---|
| 5         | Azul                 | 000 ⇄ 255 | 0–100%                                  |
| 6         | Ámbar                | 000 ⇄ 255 | 0–100%                                  |
| 7         | Macros de color      | 000 ⇄ 010 | Sin función                             |
|           |                      | 011 ⇄ 034 | R: 100% G: 0–100% B: 0% A: 0% W: 0%     |
|           |                      | 035 ⇄ 059 | R: 100–0% G: 100% B: 0% A: 0% W: 0%     |
|           |                      | 060 ⇄ 084 | R: 0% G: 100% B: 0–100% A: 0% W: 0%     |
|           |                      | 084 ⇄ 109 | R: 0% G: 100–0% B: 100% A: 0% W: 0%     |
|           |                      | 110 ⇄ 134 | R: 0–100% G: 0% B: 100% A: 0% W: 0%     |
|           |                      | 134 ⇄ 159 | R: 100% G: 0% B: 100–0% A: 0% W: 0%     |
|           |                      | 160 ⇄ 184 | R: 100% G: 0–100% B: 0–100% A: 0% W: 0% |
|           |                      | 184 ⇄ 209 | R: 100–0% G: 100–0% B: 100% A: 0% W: 0% |
|           |                      | 210 ⇄ 255 | R: 100% G: 100% B: 100% A: 100% W: 100% |
| 8         | Temperatura de color | 000 ⇄ 010 | Sin función                             |
|           |                      | 011 ⇄ 028 | Blanco 1                                |
|           |                      | 029 ⇄ 046 | Blanco 2                                |
|           |                      | 047 ⇄ 064 | Blanco 3                                |
|           |                      | 065 ⇄ 082 | Blanco 4                                |
|           |                      | 083 ⇄ 100 | Blanco 5                                |
|           |                      | 101 ⇄ 118 | Blanco 6                                |
|           |                      | 119 ⇄ 136 | Blanco 7                                |
|           |                      | 137 ⇄ 154 | Blanco 8                                |
|           |                      | 155 ⇄ 172 | Blanco 9                                |
|           |                      | 173 ⇄ 190 | Blanco 10                               |
|           |                      | 191 ⇄ 208 | Blanco 11                               |
|           |                      | 209 ⇄ 226 | Blanco 12                               |
|           |                      | 227 ⇄ 244 | Blanco 13                               |
| 245 ⇄ 255 | Blanco 14            |           |   |
| 9         | Estroboscopio        | 000 ⇄ 009 | Sin función                             |
|           |                      | 010 ⇄ 099 | Estroboscopio, lento a rápido           |
|           |                      | 100 ⇄ 109 | Sin función                             |
|           |                      | 110 ⇄ 179 | Estroboscopio de pulso, lento a rápido  |
|           |                      | 180 ⇄ 189 | Sin función                             |
|           |                      | 190 ⇄ 255 | Estroboscopio aleatorio, lento a rápido |

1 RGBA (4 canales)

| Canal | Función | Valor     | Porcentaje/Configuración |
|-------|---------|-----------|--------------------------|
| 1     | Rojo    | 000 ⇄ 255 | 0–100%                   |
| 2     | Verde   | 000 ⇄ 255 | 0–100%                   |
| 3     | Azul    | 000 ⇄ 255 | 0–100%                   |
| 4     | Ámbar   | 000 ⇄ 255 | 0–100%                   |

1 RGB EXT (8 canales)

| Canal | Función        | Valor     | Porcentaje/Configuración |
|-------|----------------|-----------|--------------------------|
| 1     | Atenuador      | 000 ⇄ 255 | 0–100%                   |
| 2     | Atenuador fino | 000 ⇄ 255 | 0–100%                   |
| 3     | Rojo           | 000 ⇄ 255 | 0–100%                   |
| 4     | Verde          | 000 ⇄ 255 | 0–100%                   |
| 5     | Azul           | 000 ⇄ 255 | 0–100%                   |

| Canal     | Función                     | Valor     | Porcentaje/Configuración                |
|-----------|-----------------------------|-----------|---|
| <b>6</b>  | <b>Macros de color</b>      | 000 ⇔ 010 | Sin función                             |
|           |                             | 011 ⇔ 034 | R: 100% G: 0–100% B: 0% A: 0% W: 0%     |
|           |                             | 035 ⇔ 059 | R: 100–0% G: 100% B: 0% A: 0% W: 0%     |
|           |                             | 060 ⇔ 084 | R: 0% G: 100% B: 0–100% A: 0% W: 0%     |
|           |                             | 084 ⇔ 109 | R: 0% G: 100–0% B: 100% A: 0% W: 0%     |
|           |                             | 110 ⇔ 134 | R: 0–100% G: 0% B: 100% A: 0% W: 0%     |
|           |                             | 134 ⇔ 159 | R: 100% G: 0% B: 100–0% A: 0% W: 0%     |
|           |                             | 160 ⇔ 184 | R: 100% G: 0–100% B: 0–100% A: 0% W: 0% |
|           |                             | 184 ⇔ 209 | R: 100–0% G: 100–0% B: 100% A: 0% W: 0% |
|           |                             | 210 ⇔ 255 | R: 100% G: 100% B: 100% A: 100% W: 100% |
| <b>7</b>  | <b>Temperatura de color</b> | 000 ⇔ 010 | Sin función                             |
|           |                             | 011 ⇔ 028 | Blanco 1                                |
|           |                             | 029 ⇔ 046 | Blanco 2                                |
|           |                             | 047 ⇔ 064 | Blanco 3                                |
|           |                             | 065 ⇔ 082 | Blanco 4                                |
|           |                             | 083 ⇔ 100 | Blanco 5                                |
|           |                             | 101 ⇔ 118 | Blanco 6                                |
|           |                             | 119 ⇔ 136 | Blanco 7                                |
|           |                             | 137 ⇔ 154 | Blanco 8                                |
|           |                             | 155 ⇔ 172 | Blanco 9                                |
|           |                             | 173 ⇔ 190 | Blanco 10                               |
|           |                             | 191 ⇔ 208 | Blanco 11                               |
|           |                             | 209 ⇔ 226 | Blanco 12                               |
|           |                             | 227 ⇔ 244 | Blanco 13                               |
| 245 ⇔ 255 | Blanco 14                   |           |   |
| <b>8</b>  | <b>Estroboscopio</b>        | 000 ⇔ 009 | Sin función                             |
|           |                             | 010 ⇔ 099 | Estroboscopio, lento a rápido           |
|           |                             | 100 ⇔ 109 | Sin función                             |
|           |                             | 110 ⇔ 179 | Estroboscopio de pulso, lento a rápido  |
|           |                             | 180 ⇔ 189 | Sin función                             |
|           |                             | 190 ⇔ 255 | Estroboscopio aleatorio, lento a rápido |

**1 RGB (3 canales)**

| Canal    | Función      | Valor     | Porcentaje/Configuración |
|----------|--------------|-----------|--------------------------|
| <b>1</b> | <b>Rojo</b>  | 000 ⇔ 255 | 0–100%                   |
| <b>2</b> | <b>Verde</b> | 000 ⇔ 255 | 0–100%                   |
| <b>3</b> | <b>Azul</b>  | 000 ⇔ 255 | 0–100%                   |

## À Propos de ce Manuel

Le Manuel de Référence du COLORado Batten 72X (MdR) reprend des informations de base sur cet appareil notamment en matière de connexions, montage, options de menu et valeurs DMX. Télécharger le Manuel d'Utilisation sur [www.chauvetprofessional.com](http://www.chauvetprofessional.com) pour de plus amples informations.

### Clause de Non-Responsabilité

Les informations et caractéristiques contenues dans ce manuel sont sujettes à changement sans préavis.

### GARANTIE LIMITÉE

**VEUILLEZ VISITER NOTRE SITE INTERNET POUR CONSULTER LES MODALITÉS D'ENREGISTREMENT DE LA GARANTIE ET LES CONDITIONS GÉNÉRALES COMPLÈTES.**

Pour les clients aux États-Unis et au Mexique: [www.chauvetlighting.com/warranty-registration](http://www.chauvetlighting.com/warranty-registration).

Pour les clients du Royaume-Uni, de la République d'Irlande, de la Belgique, des Pays-Bas, du Luxembourg, de la France et de l'Allemagne: [www.chauvetlighting.eu/warranty-registration](http://www.chauvetlighting.eu/warranty-registration).

Chauvet garantit que cet appareil est exempt de défauts de matériaux et de fabrication dans des conditions normales d'utilisation, pendant la période spécifiée dans la garantie limitée complète consultable sur notre site Internet et sous réserve des exclusions et limitations qui y sont énoncées. Cette garantie ne s'applique qu'à l'acheteur initial du produit et n'est pas transférable. Pour exercer les droits prévus par cette garantie, vous devez fournir une preuve d'achat sous la forme d'un reçu de vente original d'un revendeur autorisé qui indique le nom du produit et la date d'achat. IL N'EXISTE AUCUNE AUTRE GARANTIE EXPRESSE OU IMPLICITE. Cette garantie vous confère des droits légaux spécifiques. Vous pouvez également bénéficier d'autres droits qui varient selon les états et les pays. Cette garantie n'est valable qu'aux États-Unis, au Royaume-Uni, en République d'Irlande, en Belgique, aux Pays-Bas, au Luxembourg, en France, en Allemagne et au Mexique. Pour connaître les conditions de garantie dans d'autres pays, veuillez consulter votre revendeur local.

### Consignes de Sécurité

- N'ouvrez PAS cet appareil. Il ne contient aucun composant susceptible d'être réparé par l'utilisateur.
- Durant les périodes de non-utilisation, pour éviter toute usure inutile et pour prolonger la durée de vie, déconnectez entièrement l'appareil en le débranchant de l'alimentation électrique ou en coupant le disjoncteur.
- Ne regardez PAS la source lumineuse lorsque l'appareil fonctionne.
- ATTENTION: le boîtier de cet appareil est brûlant lors du fonctionnement.
- Montez toujours cet appareil dans un endroit bien ventilé, à au moins, 20 pouces (50 cm) des surfaces adjacentes.
- Ne laissez AUCUNE source inflammable dans un rayon de 50 cm de l'appareil lorsque celui-ci fonctionne.
- Attention : Lorsque l'appareil est transféré d'un environnement à température extrême à un autre (par exemple d'un camion froid vers une salle de bal chaude et humide), de la condensation peut se former sur les composants électriques internes. Pour éviter de causer des dommages, laissez l'appareil s'acclimater entièrement au milieu environnant avant de le mettre sous tension.
- Ne convient pas aux installations permanentes en extérieur sur des sites sujets à des conditions environnementales extrêmes. Cela inclut par exemple :
  - L'exposition à un environnement marin ou à une solution saline (à moins de 4,8 kilomètres d'un corps d'eau salée).
  - Lorsque les températures moyennes hautes ou basses du site dépassent les plages de températures indiquées dans ce manuel.
  - Les sites qui sont sujets aux inondations ou qui présentent un risque d'être ensevelis sous la neige.
  - Tout autre endroit où le produit risque d'être soumis à des rayonnements extrêmes ou à des substances caustiques.
- Utilisez TOUJOURS un câble de sécurité lorsque vous montez cet appareil en hauteur.
- N'immergez PAS ce produit (IP 65). Un usage normal en extérieur est autorisé.
- N'utilisez PAS cet appareil si le boîtier, les lentilles ou les câbles vous semblent endommagés.
- Ne connectez PAS cet appareil ni à un gradateur ni à un rhéostat.
- Connectez UNIQUEMENT cet appareil à un circuit protégé et relié à la terre.
- Transportez/Suspendez cet appareil UNIQUEMENT par le support de montage dont il est doté.
- En cas de sérieux problèmes de fonctionnement, arrêtez le système immédiatement.
- La température ambiante maximale supportée par cet appareil est de 113 °F (45 °C). Ne le faites pas fonctionner à des températures plus élevées.

### Contact

En dehors des États-Unis, du Royaume-Uni, de l'Irlande, du Benelux, de la France, de l'Allemagne, ou du Mexique, contactez votre fournisseur si vous avez besoin d'assistance ou pour retourner un appareil. Référez-vous à [Contact Us](#) à la fin de ce MdR pour obtenir des informations pour nous contacter.

### Ce Qui est Inclus

- COLORado Batten 72X avec écran anti-éblouissement
- Cordon d'Alimentation Seetronic Powerkon IP65
- Fixations Omega
- Manuel de Référence



## Alimentation CA

Cet appareil est doté d'une alimentation universelle prenant en charge toute tension d'entrée comprise entre 100 et 240 VCA, 50/60 Hz.

### Connexion Électrique

Vous pouvez connecter jusqu'à 10 COLORado Batten 72X à 120 V, 17 unités à 208 V ou 19 unités à 230 V. Vous pouvez vous procurer séparément des cordons d'alimentation.

#### Prise CA

| Connexion     | Câble (États-Unis) | Câble (Europe) | Couleur de la vis |
|---------------|--------------------|----------------|-------------------|
| Conducteur CA | Noir               | Marron         | Jaune/Cuivré      |
| Neutre CA     | Blanc              | Bleu           | Argenté           |
| Terre CA      | Vert/Jaune         | Vert/Jaune     | Vert              |



**Durant les périodes de non-utilisation, pour éviter toute usure inutile et pour prolonger la durée de vie, déconnectez-entièrement l'appareil en le débranchant de l'alimentation électrique ou en coupant le disjoncteur.**

### Raccordement DMX

Le COLORado Batten 72X fonctionnera avec une console DMX au moyen d'une connexion série DMX à 5 broches. Une introduction au DMX est à votre disposition sur [www.chauvetprofessional.com](http://www.chauvetprofessional.com).

#### Connexion DMX

Le COLORado Batten 72X utilise une connexion de données DMX à 5 broches pour ses 18 personnalités de contrôle allant de 3 canaux à 43 canaux en mode 1 cellule et 3 cellules:

|            | RGB | RGB EXT | RGBA | RGBA EXT | RGBAW | RGBAW EXT | RGBAW FIN | RGBAW FUL | HSIC |
|------------|-----|---------|------|----------|-------|-----------|-----------|-----------|------|
| 1 cellule  | 3   | 8       | 4    | 9        | 5     | 10        | 10        | 16        | 8    |
| 3 cellules | 9   | 21      | 12   | 24       | 15    | 27        | 30        | 43        | 22   |

Consultez le Manuel d'Utilisation pour connecter et configurer le système DMX.

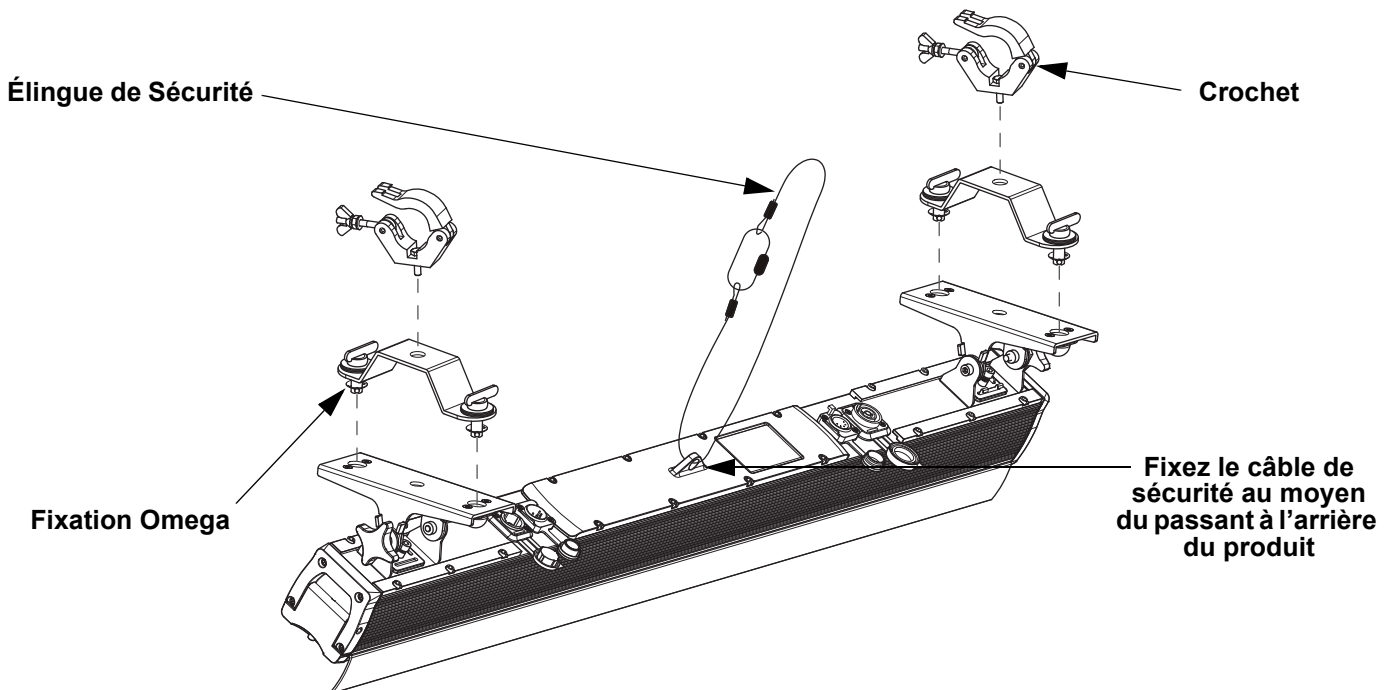
#### RDM (Gestion des périphériques à distance)

Le protocole RDM (gestion des périphériques à distance) est un standard pour la communication bidirectionnelle des appareils dotés de fonctions DMX dans un câblage DMX existant. Le COLORado Batten 72X supporte le protocole RDM permettant un retour d'information pour la surveillance et des changements des options de menu. Veuillez télécharger le manuel de l'utilisateur à partir du site internet [www.chauvetprofessional.com](http://www.chauvetprofessional.com) pour plus de détails.

### Installation

Avant de monter cet appareil, lisez et assimilez les [Consignes de Sécurité](#). Utilisez au moins deux points de fixation par appareil. Soyez sûr que les crochets sont capables de supporter le poids du produit. Pour voir notre gamme de crochets, rendez-vous sur <http://trusst.com/productcategory/truss-clamps>.

#### Schéma de Montage de l'Appareil



## Description du Tableau de Commandes

| Bouton  | Fonction  |
|---------|---|
| <MENU>  | Permet la sortie du menu ou de la fonction en cours   |
| <ENTER> | Permet l'affichage du menu en cours ou permet de configurer la valeur en cours dans la fonction sélectionnée          |
| <UP>    | Permet de parcourir les listes ou les menus vers le haut, dans une fonction permet d'augmenter les valeurs numériques |
| <DOWN>  | Permet de parcourir les listes ou les menus vers le bas, dans une fonction permet de diminuer les valeurs numériques  |

## Plan du Menu

| Niveau Principal | Niveaux de Programmation | Description   |
|------------------|--------------------------|---|
| Start Address    | 1-510*                   | Permet de sélectionner l'adresse de démarrage (*le canal le plus élevé est restreint à la personnalité choisie)                           |
|                  | 1 RGB                    | 3 canaux: RGB   |
| Personality      | 1 RGB EXT                | 8 canaux: gradateur 16-bit, RGB, macro de couleur, température de couleur, stroboscope  |
|                  | 1 RGBA                   | 4 canaux: RGBA  |
|                  | 1 RGBA EXT               | 9 canaux: gradateur 16-bit, RGBA, macro de couleur, température de couleur, stroboscope   |
|                  | 1 RGBAW                  | 5 canaux: RGBAW   |
|                  | 1 RGBAW EXT              | 10 canaux: gradateur 16-bit, RGBAW, macro de couleur, température de couleur, stroboscope   |
|                  | 1 RGBAW FIN              | 10 canaux: RGBAW 16-bit   |
|                  | 1 RGBAW FUL              | 16 canaux: gradateur 16-bit, RGBAW 16-bit, macro de couleur, température de couleur, stroboscope, vitesse du gradation                    |
|                  | 1 HSIC                   | 8 canaux: gradateur, teinte 16-bit, saturation, stroboscope, macro de couleur, température de couleur, vitesse du gradation               |
|                  | 3 RGB                    | 9 canaux (3 cellules): RGB  |
|                  | 3 RGB EXT                | 21 canaux (3 cellules): gradateur 16-bit, RGB, macro de couleur, température de couleur, stroboscope                                      |
|                  | 3 RGBA                   | 12 canaux (3 cellules): RGBA  |
|                  | 3 RGBA EXT               | 24 canaux (3 cellules): gradateur 16-bit, RGBA, macro de couleur, température de couleur, stroboscope                                     |
|                  | 3 RGBAW                  | 15 canaux (3 cellules): RGBAW   |
|                  | 3 RGBAW EXT              | 27 canaux (3 cellules): gradateur 16-bit, RGBAW, macro de couleur, température de couleur, stroboscope                                    |
|                  | 3 RGBAW FIN              | 30 canaux (3 cellules): RGBAW 16-bit  |
|                  | 3 RGBAW FUL              | 43 canaux (3 cellules): gradateur 16-bit, RGBAW 16-bit, macro de couleur, température de couleur, stroboscope, vitesse du gradation       |
| Output Setting   | 3 HSIC                   | 22 canaux (3 cellules): gradateur, teinte 16-bit, saturation, stroboscope, macro de couleur, température de couleur, vitesse du gradation |
|                  | Power Mode               | Évite de dépasser la température maximale en ajustant la intensité de sortie  |
|                  | Steady Mode              | Utilise un intensité de sortie inférieur à un rythme constant pour éviter de dépasser la température maximale                             |
|                  | Legacy Mode              | Correspond à la intensité de sortie du COLORado Batten 72 Tour  |

| Niveau Principal | Niveaux de Programmation  |                 |               | Description  |  |
|------------------|---|-----------------|---------------|--|--|
| Static Colors    | Preset Colors   | Color 1–14      | Dimmer 0–100% | Couleurs statiques prédéfinies   |  |
|                  | CCT Temper  | White 1–14      |               | Températures de couleur prédéfinies  |  |
|                  | RGBAW   | Red             | Red 0–255     | Combine les couleurs rouge, vert, bleu, ambre et blanc pour un résultat personnalisé |  |
|                  |   | Green           | Green 0–255   |  |  |
|                  |   | Blue            | Blue 0–255    |  |  |
| Amber            |   | Amber 0–255     |               |  |  |
|                  | White   | White 0–255     |               |  |  |
| Auto Programs    | Run   | AUTO.1–10       | Speed 0–100   | Sélectionne les programmes automatiques et vitesse auto                              |  |
|                  |   | Program 1–10    |               |  |  |
|                  | Edit  | Program 1–10    | SCENE-01–30   | Red 0–255  | Sélectionne et édite un programme personnalisé |
|                  |   |                 |               | Green 0–255  |  |
|                  |   |                 |               | Blue 0–255   |  |
| Amber 0–255      |   |                 |               |  |  |
|                  |   |                 | White 0–255   |  |  |
| Master/Slave     | Master  |                 |               | Mode DMX (maître)  |  |
|                  | Slave   |                 |               | Mode esclave   |  |
| Dimmer Mode      | OFF   |                 |               | Assombrissement linéaire   |  |
|                  | DIM1–4  |                 |               | Courbes de gradation <b>DIM1</b> (rapide) à <b>DIM4</b> (lent)                       |  |
| LED Frequency    | 600Hz   |                 |               | Permet de sélectionner la fréquence de sortie MLI                                    |  |
|                  | 1200Hz  |                 |               |  |  |
|                  | 2000Hz  |                 |               |  |  |
|                  | 2400Hz  |                 |               |  |  |
|                  | 4000Hz  |                 |               |  |  |
|                  | 25000Hz   |                 |               |  |  |
| Cell Order       | 1 – 3   |                 |               | Définit l'ordre des cellules   |  |
|                  | 3 – 1   |                 |               |  |  |
| Setting          | ****<br>(Saisir le code d'accès))   | DMX Error/ Loss | Hold Last     | En cas de perte de DMX, la dernière commande se maintiendra                          |  |
|                  |   |                 | Blackout      | Met l'unité en noir général en cas de perte de DMX                                   |  |
|                  |   | Disp TimeOut    | On            | Affichage rétro-éclairage toujours active  |  |
|                  |   |                 | 10s           | Désactive l'affichage rétro-éclairage après 10 secondes d'inactivité                 |  |
|                  |   |                 | 20s           | Désactive l'affichage rétro-éclairage après 20 secondes d'inactivité                 |  |
|                  |   | Disp Passcode   | 30s           | Désactive l'affichage rétro-éclairage après 30 secondes d'inactivité                 |  |
| On               | Verrouillage de l'affichage (le code d'accès est <UP>, <DOWN>, <UP>, <DOWN>, <ENTER>) |                 |               |  |  |
| Information      | Fixture Hours   |                 | ___ Hours     | Affiche le nombre total des heures du produit  |  |
|                  | Firmware Vers   |                 | V__           | Affiche la version du logiciel installée   |  |
|                  | RDM   | UID             |               | Affiche l'ID de l'appareil   |  |
|                  |   | LABEL           | Batten 72X    |  | Affiche le nom du produit pour RDM             |
| Factory Reset    | No  |                 |               | Permet de réinitialiser aux valeurs par défaut d'usine                               |  |
|                  | Yes   |                 |               |  |  |

Valeurs DMX à 3 cellules

3 HSIC (22 canaux)

| Canal     | Fonction                  | Valeur    | Pourcentage/Configuration               |
|-----------|---------------------------|-----------|---|
| 1         | Gradateur 1               | 000 ⇔ 255 | 0–100%                                  |
| 2         | Teinte 1                  | 000 ⇔ 255 | 0–100%                                  |
| 3         | Teinte fin 1              | 000 ⇔ 255 | 0–100%                                  |
| 4         | Saturation 1              | 000 ⇔ 255 | 0–100%                                  |
| 5         | Stroboscope 1             | 000 ⇔ 009 | Pas de fonction                         |
|           |                           | 010 ⇔ 099 | Stroboscope, lent à rapide              |
|           |                           | 100 ⇔ 109 | Pas de fonction                         |
|           |                           | 110 ⇔ 179 | Stroboscope à pulsation, lent à rapide  |
|           |                           | 180 ⇔ 189 | Pas de fonction                         |
|           |                           | 190 ⇔ 255 | Stroboscope aléatoire, lent à rapide    |
| 6         | Macros de couleur 1       | 000 ⇔ 010 | Pas de fonction                         |
|           |                           | 011 ⇔ 034 | R: 100% G: 0–100% B: 0% A: 0% W: 0%     |
|           |                           | 035 ⇔ 059 | R: 100–0% G: 100% B: 0% A: 0% W: 0%     |
|           |                           | 060 ⇔ 084 | R: 0% G: 100% B: 0–100% A: 0% W: 0%     |
|           |                           | 084 ⇔ 109 | R: 0% G: 100–0% B: 100% A: 0% W: 0%     |
|           |                           | 110 ⇔ 134 | R: 0–100% G: 0% B: 100% A: 0% W: 0%     |
|           |                           | 134 ⇔ 159 | R: 100% G: 0% B: 100–0% A: 0% W: 0%     |
|           |                           | 160 ⇔ 184 | R: 100% G: 0–100% B: 0–100% A: 0% W: 0% |
|           |                           | 184 ⇔ 209 | R: 100–0% G: 100–0% B: 100% A: 0% W: 0% |
|           |                           | 210 ⇔ 255 | R: 100% G: 100% B: 100% A: 100% W: 100% |
| 7         | Températures de couleur 1 | 000 ⇔ 010 | Pas de fonction                         |
|           |                           | 011 ⇔ 028 | Blanc 1                                 |
|           |                           | 029 ⇔ 046 | Blanc 2                                 |
|           |                           | 047 ⇔ 064 | Blanc 3                                 |
|           |                           | 065 ⇔ 082 | Blanc 4                                 |
|           |                           | 083 ⇔ 100 | Blanc 5                                 |
|           |                           | 101 ⇔ 118 | Blanc 6                                 |
|           |                           | 119 ⇔ 136 | Blanc 7                                 |
|           |                           | 137 ⇔ 154 | Blanc 8                                 |
|           |                           | 155 ⇔ 172 | Blanc 9                                 |
|           |                           | 173 ⇔ 190 | Blanc 10                                |
|           |                           | 191 ⇔ 208 | Blanc 11                                |
|           |                           | 209 ⇔ 226 | Blanc 12                                |
|           |                           | 227 ⇔ 244 | Blanc 13                                |
| 245 ⇔ 255 | Blanc 14                  |           |   |
| 8         | Gradateur 2               | 000 ⇔ 255 | 0–100%                                  |
| 9         | Teinte 2                  | 000 ⇔ 255 | 0–100%                                  |
| 10        | Teinte fin 2              | 000 ⇔ 255 | 0–100%                                  |
| 11        | Saturation 2              | 000 ⇔ 255 | 0–100%                                  |
| 12        | Stroboscope 2             | 000 ⇔ 009 | Pas de fonction                         |
|           |                           | 010 ⇔ 099 | Stroboscope, lent à rapide              |
|           |                           | 100 ⇔ 109 | Pas de fonction                         |
|           |                           | 110 ⇔ 179 | Stroboscope à pulsation, lent à rapide  |
|           |                           | 180 ⇔ 189 | Pas de fonction                         |
|           |                           | 190 ⇔ 255 | Stroboscope aléatoire, lent à rapide    |

| Canal     | Fonction                         | Valeur    | Pourcentage/Configuration               |
|-----------|----------------------------------|-----------|---|
| <b>13</b> | <b>Macros de couleur 2</b>       | 000 ⇔ 010 | Pas de fonction                         |
|           |                                  | 011 ⇔ 034 | R: 100% G: 0–100% B: 0% A: 0% W: 0%     |
|           |                                  | 035 ⇔ 059 | R: 100–0% G: 100% B: 0% A: 0% W: 0%     |
|           |                                  | 060 ⇔ 084 | R: 0% G: 100% B: 0–100% A: 0% W: 0%     |
|           |                                  | 084 ⇔ 109 | R: 0% G: 100–0% B: 100% A: 0% W: 0%     |
|           |                                  | 110 ⇔ 134 | R: 0–100% G: 0% B: 100% A: 0% W: 0%     |
|           |                                  | 134 ⇔ 159 | R: 100% G: 0% B: 100–0% A: 0% W: 0%     |
|           |                                  | 160 ⇔ 184 | R: 100% G: 0–100% B: 0–100% A: 0% W: 0% |
|           |                                  | 184 ⇔ 209 | R: 100–0% G: 100–0% B: 100% A: 0% W: 0% |
|           |                                  | 210 ⇔ 255 | R: 100% G: 100% B: 100% A: 100% W: 100% |
| <b>14</b> | <b>Températures de couleur 2</b> | 000 ⇔ 010 | Pas de fonction                         |
|           |                                  | 011 ⇔ 028 | Blanc 1                                 |
|           |                                  | 029 ⇔ 046 | Blanc 2                                 |
|           |                                  | 047 ⇔ 064 | Blanc 3                                 |
|           |                                  | 065 ⇔ 082 | Blanc 4                                 |
|           |                                  | 083 ⇔ 100 | Blanc 5                                 |
|           |                                  | 101 ⇔ 118 | Blanc 6                                 |
|           |                                  | 119 ⇔ 136 | Blanc 7                                 |
|           |                                  | 137 ⇔ 154 | Blanc 8                                 |
|           |                                  | 155 ⇔ 172 | Blanc 9                                 |
|           |                                  | 173 ⇔ 190 | Blanc 10                                |
|           |                                  | 191 ⇔ 208 | Blanc 11                                |
|           |                                  | 209 ⇔ 226 | Blanc 12                                |
|           |                                  | 227 ⇔ 244 | Blanc 13                                |
| 245 ⇔ 255 | Blanc 14                         |           |   |
| <b>15</b> | <b>Gradateur 3</b>               | 000 ⇔ 255 | 0–100%                                  |
| <b>16</b> | <b>Teinte 3</b>                  | 000 ⇔ 255 | 0–100%                                  |
| <b>17</b> | <b>Teinte fin 3</b>              | 000 ⇔ 255 | 0–100%                                  |
| <b>18</b> | <b>Saturation 3</b>              | 000 ⇔ 255 | 0–100%                                  |
| <b>19</b> | <b>Stroboscope 3</b>             | 000 ⇔ 009 | Pas de fonction                         |
|           |                                  | 010 ⇔ 099 | Stroboscope, lent à rapide              |
|           |                                  | 100 ⇔ 109 | Pas de fonction                         |
|           |                                  | 110 ⇔ 179 | Stroboscope à pulsation, lent à rapide  |
|           |                                  | 180 ⇔ 189 | Pas de fonction                         |
|           |                                  | 190 ⇔ 255 | Stroboscope aléatoire, lent à rapide    |
| <b>20</b> | <b>Macros de couleur 3</b>       | 000 ⇔ 010 | Pas de fonction                         |
|           |                                  | 011 ⇔ 034 | R: 100% G: 0–100% B: 0% A: 0% W: 0%     |
|           |                                  | 035 ⇔ 059 | R: 100–0% G: 100% B: 0% A: 0% W: 0%     |
|           |                                  | 060 ⇔ 084 | R: 0% G: 100% B: 0–100% A: 0% W: 0%     |
|           |                                  | 084 ⇔ 109 | R: 0% G: 100–0% B: 100% A: 0% W: 0%     |
|           |                                  | 110 ⇔ 134 | R: 0–100% G: 0% B: 100% A: 0% W: 0%     |
|           |                                  | 134 ⇔ 159 | R: 100% G: 0% B: 100–0% A: 0% W: 0%     |
|           |                                  | 160 ⇔ 184 | R: 100% G: 0–100% B: 0–100% A: 0% W: 0% |
|           |                                  | 184 ⇔ 209 | R: 100–0% G: 100–0% B: 100% A: 0% W: 0% |
|           |                                  | 210 ⇔ 255 | R: 100% G: 100% B: 100% A: 100% W: 100% |

| Canal     | Fonction                  | Valeur    | Pourcentage/Configuration  |
|-----------|---------------------------|-----------|--|
| 21        | Températures de couleur 3 | 000 ⇔ 010 | Pas de fonction  |
|           |                           | 011 ⇔ 028 | Blanc 1  |
|           |                           | 029 ⇔ 046 | Blanc 2  |
|           |                           | 047 ⇔ 064 | Blanc 3  |
|           |                           | 065 ⇔ 082 | Blanc 4  |
|           |                           | 083 ⇔ 100 | Blanc 5  |
|           |                           | 101 ⇔ 118 | Blanc 6  |
|           |                           | 119 ⇔ 136 | Blanc 7  |
|           |                           | 137 ⇔ 154 | Blanc 8  |
|           |                           | 155 ⇔ 172 | Blanc 9  |
|           |                           | 173 ⇔ 190 | Blanc 10   |
|           |                           | 191 ⇔ 208 | Blanc 11   |
|           |                           | 209 ⇔ 226 | Blanc 12   |
|           |                           | 227 ⇔ 244 | Blanc 13   |
| 245 ⇔ 255 | Blanc 14                  |           |  |
| 22        | Vitesse du gradateur      | 000 ⇔ 009 | Préréglage de vitesse d'assombrissement à partir du menu affichage |
|           |                           | 010 ⇔ 029 | Arrêt du mode de vitesse d'assombrissement                         |
|           |                           | 030 ⇔ 069 | Mode 1 de vitesse d'assombrissement (rapide)                       |
|           |                           | 070 ⇔ 129 | Mode 2 de vitesse d'assombrissement                                |
|           |                           | 130 ⇔ 189 | Mode 3 de vitesse d'assombrissement                                |
|           |                           | 190 ⇔ 255 | Mode 4 de vitesse d'assombrissement (lente)                        |

3 RGBAW FUL (43 canaux)

| Canal | Fonction            | Valeur    | Pourcentage/Configuration               |
|-------|---------------------|-----------|---|
| 1     | Gradateur           | 000 ⇔ 255 | 0–100%                                  |
| 2     | Gradateur fin       | 000 ⇔ 255 | 0–100%                                  |
| 3     | Rouge 1             | 000 ⇔ 255 | 0–100%                                  |
| 4     | Rouge fin 1         | 000 ⇔ 255 | 0–100%                                  |
| 5     | Vert 1              | 000 ⇔ 255 | 0–100%                                  |
| 6     | Vert fin 1          | 000 ⇔ 255 | 0–100%                                  |
| 7     | Bleu 1              | 000 ⇔ 255 | 0–100%                                  |
| 8     | Bleu fin 1          | 000 ⇔ 255 | 0–100%                                  |
| 9     | Ambre 1             | 000 ⇔ 255 | 0–100%                                  |
| 10    | Ambre fin 1         | 000 ⇔ 255 | 0–100%                                  |
| 11    | Blanc 1             | 000 ⇔ 255 | 0–100%                                  |
| 12    | Blanc fin 1         | 000 ⇔ 255 | 0–100%                                  |
| 13    | Macros de couleur 1 | 000 ⇔ 010 | Pas de fonction                         |
|       |                     | 011 ⇔ 034 | R: 100% G: 0–100% B: 0% A: 0% W: 0%     |
|       |                     | 035 ⇔ 059 | R: 100–0% G: 100% B: 0% A: 0% W: 0%     |
|       |                     | 060 ⇔ 084 | R: 0% G: 100% B: 0–100% A: 0% W: 0%     |
|       |                     | 084 ⇔ 109 | R: 0% G: 100–0% B: 100% A: 0% W: 0%     |
|       |                     | 110 ⇔ 134 | R: 0–100% G: 0% B: 100% A: 0% W: 0%     |
|       |                     | 134 ⇔ 159 | R: 100% G: 0% B: 100–0% A: 0% W: 0%     |
|       |                     | 160 ⇔ 184 | R: 100% G: 0–100% B: 0–100% A: 0% W: 0% |
|       |                     | 184 ⇔ 209 | R: 100–0% G: 100–0% B: 100% A: 0% W: 0% |
|       |                     | 210 ⇔ 255 | R: 100% G: 100% B: 100% A: 100% W: 100% |

| Canal     | Fonction                  | Valeur    | Pourcentage/Configuration               |
|-----------|---------------------------|-----------|---|
| 14        | Températures de couleur 1 | 000 ⇔ 010 | Pas de fonction                         |
|           |                           | 011 ⇔ 028 | Blanc 1                                 |
|           |                           | 029 ⇔ 046 | Blanc 2                                 |
|           |                           | 047 ⇔ 064 | Blanc 3                                 |
|           |                           | 065 ⇔ 082 | Blanc 4                                 |
|           |                           | 083 ⇔ 100 | Blanc 5                                 |
|           |                           | 101 ⇔ 118 | Blanc 6                                 |
|           |                           | 119 ⇔ 136 | Blanc 7                                 |
|           |                           | 137 ⇔ 154 | Blanc 8                                 |
|           |                           | 155 ⇔ 172 | Blanc 9                                 |
|           |                           | 173 ⇔ 190 | Blanc 10                                |
|           |                           | 191 ⇔ 208 | Blanc 11                                |
|           |                           | 209 ⇔ 226 | Blanc 12                                |
|           |                           | 227 ⇔ 244 | Blanc 13                                |
| 245 ⇔ 255 | Blanc 14                  |           |   |
| 15        | Stroboscope 1             | 000 ⇔ 009 | Pas de fonction                         |
|           |                           | 010 ⇔ 099 | Stroboscope, lent à rapide              |
|           |                           | 100 ⇔ 109 | Pas de fonction                         |
|           |                           | 110 ⇔ 179 | Stroboscope à pulsation, lent à rapide  |
|           |                           | 180 ⇔ 189 | Pas de fonction                         |
|           |                           | 190 ⇔ 255 | Stroboscope aléatoire, lent à rapide    |
| 16        | Rouge 2                   | 000 ⇔ 255 | 0–100%                                  |
| 17        | Rouge fin 2               | 000 ⇔ 255 | 0–100%                                  |
| 18        | Vert 2                    | 000 ⇔ 255 | 0–100%                                  |
| 19        | Vert fin 2                | 000 ⇔ 255 | 0–100%                                  |
| 20        | Bleu 2                    | 000 ⇔ 255 | 0–100%                                  |
| 21        | Bleu fin 2                | 000 ⇔ 255 | 0–100%                                  |
| 22        | Ambre 2                   | 000 ⇔ 255 | 0–100%                                  |
| 23        | Ambre fin 2               | 000 ⇔ 255 | 0–100%                                  |
| 24        | Blanc 2                   | 000 ⇔ 255 | 0–100%                                  |
| 25        | Blanc fin 2               | 000 ⇔ 255 | 0–100%                                  |
| 26        | Macros de couleur 2       | 000 ⇔ 010 | Pas de fonction                         |
|           |                           | 011 ⇔ 034 | R: 100% G: 0–100% B: 0% A: 0% W: 0%     |
|           |                           | 035 ⇔ 059 | R: 100–0% G: 100% B: 0% A: 0% W: 0%     |
|           |                           | 060 ⇔ 084 | R: 0% G: 100% B: 0–100% A: 0% W: 0%     |
|           |                           | 084 ⇔ 109 | R: 0% G: 100–0% B: 100% A: 0% W: 0%     |
|           |                           | 110 ⇔ 134 | R: 0–100% G: 0% B: 100% A: 0% W: 0%     |
|           |                           | 134 ⇔ 159 | R: 100% G: 0% B: 100–0% A: 0% W: 0%     |
|           |                           | 160 ⇔ 184 | R: 100% G: 0–100% B: 0–100% A: 0% W: 0% |
|           |                           | 184 ⇔ 209 | R: 100–0% G: 100–0% B: 100% A: 0% W: 0% |
|           |                           | 210 ⇔ 255 | R: 100% G: 100% B: 100% A: 100% W: 100% |

| Canal     | Fonction                  | Valeur    | Pourcentage/Configuration               |
|-----------|---------------------------|-----------|---|
| 27        | Températures de couleur 2 | 000 ⇔ 010 | Pas de fonction                         |
|           |                           | 011 ⇔ 028 | Blanc 1                                 |
|           |                           | 029 ⇔ 046 | Blanc 2                                 |
|           |                           | 047 ⇔ 064 | Blanc 3                                 |
|           |                           | 065 ⇔ 082 | Blanc 4                                 |
|           |                           | 083 ⇔ 100 | Blanc 5                                 |
|           |                           | 101 ⇔ 118 | Blanc 6                                 |
|           |                           | 119 ⇔ 136 | Blanc 7                                 |
|           |                           | 137 ⇔ 154 | Blanc 8                                 |
|           |                           | 155 ⇔ 172 | Blanc 9                                 |
|           |                           | 173 ⇔ 190 | Blanc 10                                |
|           |                           | 191 ⇔ 208 | Blanc 11                                |
|           |                           | 209 ⇔ 226 | Blanc 12                                |
|           |                           | 227 ⇔ 244 | Blanc 13                                |
| 245 ⇔ 255 | Blanc 14                  |           |   |
| 28        | Stroboscope 2             | 000 ⇔ 009 | Pas de fonction                         |
|           |                           | 010 ⇔ 099 | Stroboscope, lent à rapide              |
|           |                           | 100 ⇔ 109 | Pas de fonction                         |
|           |                           | 110 ⇔ 179 | Stroboscope à pulsation, lent à rapide  |
|           |                           | 180 ⇔ 189 | Pas de fonction                         |
|           |                           | 190 ⇔ 255 | Stroboscope aléatoire, lent à rapide    |
| 29        | Rouge 3                   | 000 ⇔ 255 | 0-100%                                  |
| 30        | Rouge fin 3               | 000 ⇔ 255 | 0-100%                                  |
| 31        | Vert 3                    | 000 ⇔ 255 | 0-100%                                  |
| 32        | Vert fin 3                | 000 ⇔ 255 | 0-100%                                  |
| 33        | Bleu 3                    | 000 ⇔ 255 | 0-100%                                  |
| 34        | Bleu fin 3                | 000 ⇔ 255 | 0-100%                                  |
| 35        | Ambre 3                   | 000 ⇔ 255 | 0-100%                                  |
| 36        | Ambre fin 3               | 000 ⇔ 255 | 0-100%                                  |
| 37        | Blanc 3                   | 000 ⇔ 255 | 0-100%                                  |
| 38        | Blanc fin 3               | 000 ⇔ 255 | 0-100%                                  |
| 39        | Macros de couleur 3       | 000 ⇔ 010 | Pas de fonction                         |
|           |                           | 011 ⇔ 034 | R: 100% G: 0-100% B: 0% A: 0% W: 0%     |
|           |                           | 035 ⇔ 059 | R: 100-0% G: 100% B: 0% A: 0% W: 0%     |
|           |                           | 060 ⇔ 084 | R: 0% G: 100% B: 0-100% A: 0% W: 0%     |
|           |                           | 084 ⇔ 109 | R: 0% G: 100-0% B: 100% A: 0% W: 0%     |
|           |                           | 110 ⇔ 134 | R: 0-100% G: 0% B: 100% A: 0% W: 0%     |
|           |                           | 134 ⇔ 159 | R: 100% G: 0% B: 100-0% A: 0% W: 0%     |
|           |                           | 160 ⇔ 184 | R: 100% G: 0-100% B: 0-100% A: 0% W: 0% |
|           |                           | 184 ⇔ 209 | R: 100-0% G: 100-0% B: 100% A: 0% W: 0% |
|           |                           | 210 ⇔ 255 | R: 100% G: 100% B: 100% A: 100% W: 100% |



| Canal     | Fonction                  | Valeur    | Pourcentage/Configuration  |
|-----------|---------------------------|-----------|--|
| 40        | Températures de couleur 3 | 000 ⇔ 010 | Pas de fonction  |
|           |                           | 011 ⇔ 028 | Blanc 1  |
|           |                           | 029 ⇔ 046 | Blanc 2  |
|           |                           | 047 ⇔ 064 | Blanc 3  |
|           |                           | 065 ⇔ 082 | Blanc 4  |
|           |                           | 083 ⇔ 100 | Blanc 5  |
|           |                           | 101 ⇔ 118 | Blanc 6  |
|           |                           | 119 ⇔ 136 | Blanc 7  |
|           |                           | 137 ⇔ 154 | Blanc 8  |
|           |                           | 155 ⇔ 172 | Blanc 9  |
|           |                           | 173 ⇔ 190 | Blanc 10   |
|           |                           | 191 ⇔ 208 | Blanc 11   |
|           |                           | 209 ⇔ 226 | Blanc 12   |
|           |                           | 227 ⇔ 244 | Blanc 13   |
| 245 ⇔ 255 | Blanc 14                  |           |  |
| 41        | Stroboscope 3             | 000 ⇔ 009 | Pas de fonction  |
|           |                           | 010 ⇔ 099 | Stroboscope, lent à rapide   |
|           |                           | 100 ⇔ 109 | Pas de fonction  |
|           |                           | 110 ⇔ 179 | Stroboscope à pulsation, lent à rapide                             |
|           |                           | 180 ⇔ 189 | Pas de fonction  |
|           |                           | 190 ⇔ 255 | Stroboscope aléatoire, lent à rapide                               |
| 42        | Stroboscope tout          | 000 ⇔ 009 | Pas de fonction  |
|           |                           | 010 ⇔ 099 | Stroboscope, lent à rapide   |
|           |                           | 100 ⇔ 109 | Pas de fonction  |
|           |                           | 110 ⇔ 179 | Stroboscope à pulsation, lent à rapide                             |
|           |                           | 180 ⇔ 189 | Pas de fonction  |
|           |                           | 190 ⇔ 255 | Stroboscope aléatoire, lent à rapide                               |
| 43        | Vitesse du gradateur      | 000 ⇔ 009 | Préréglage de vitesse d'assombrissement à partir du menu affichage |
|           |                           | 010 ⇔ 029 | Arrêt du mode de vitesse d'assombrissement                         |
|           |                           | 030 ⇔ 069 | Mode 1 de vitesse d'assombrissement (rapide)                       |
|           |                           | 070 ⇔ 129 | Mode 2 de vitesse d'assombrissement                                |
|           |                           | 130 ⇔ 189 | Mode 3 de vitesse d'assombrissement                                |
|           |                           | 190 ⇔ 255 | Mode 4 de vitesse d'assombrissement (lente)                        |

**3 RGBAW FIN (30 canaux)**

| Canal | Fonction    | Valeur    | Pourcentage/Configuration |
|-------|-------------|-----------|---------------------------|
| 1     | Rouge 1     | 000 ⇔ 255 | 0–100%                    |
| 2     | Rouge fin 1 | 000 ⇔ 255 | 0–100%                    |
| 3     | Vert 1      | 000 ⇔ 255 | 0–100%                    |
| 4     | Vert fin 1  | 000 ⇔ 255 | 0–100%                    |
| 5     | Bleu 1      | 000 ⇔ 255 | 0–100%                    |
| 6     | Bleu fin 1  | 000 ⇔ 255 | 0–100%                    |
| 7     | Ambre 1     | 000 ⇔ 255 | 0–100%                    |
| 8     | Ambre fin 1 | 000 ⇔ 255 | 0–100%                    |
| 9     | Blanc 1     | 000 ⇔ 255 | 0–100%                    |
| 10    | Blanc fin 1 | 000 ⇔ 255 | 0–100%                    |
| 11    | Rouge 2     | 000 ⇔ 255 | 0–100%                    |
| 12    | Rouge fin 2 | 000 ⇔ 255 | 0–100%                    |
| 13    | Vert 2      | 000 ⇔ 255 | 0–100%                    |
| 14    | Vert fin 2  | 000 ⇔ 255 | 0–100%                    |
| 15    | Bleu 2      | 000 ⇔ 255 | 0–100%                    |
| 16    | Bleu fin 2  | 000 ⇔ 255 | 0–100%                    |
| 17    | Ambre 2     | 000 ⇔ 255 | 0–100%                    |
| 18    | Ambre fin 2 | 000 ⇔ 255 | 0–100%                    |

| Canal | Fonction    | Valeur    | Pourcentage/Configuration |
|-------|-------------|-----------|---------------------------|
| 19    | Blanc 2     | 000 ⇔ 255 | 0–100%                    |
| 20    | Blanc fin 2 | 000 ⇔ 255 | 0–100%                    |
| 21    | Rouge 3     | 000 ⇔ 255 | 0–100%                    |
| 22    | Rouge fin 3 | 000 ⇔ 255 | 0–100%                    |
| 23    | Vert 3      | 000 ⇔ 255 | 0–100%                    |
| 24    | Vert fin 3  | 000 ⇔ 255 | 0–100%                    |
| 25    | Bleu 3      | 000 ⇔ 255 | 0–100%                    |
| 26    | Bleu fin 3  | 000 ⇔ 255 | 0–100%                    |
| 27    | Ambre 3     | 000 ⇔ 255 | 0–100%                    |
| 28    | Ambre fin 3 | 000 ⇔ 255 | 0–100%                    |
| 29    | Blanc 3     | 000 ⇔ 255 | 0–100%                    |
| 30    | Blanc fin 3 | 000 ⇔ 255 | 0–100%                    |

**3 RGBAW EXT (27 canaux)**

| Canal     | Fonction                                | Valeur    | Pourcentage/Configuration               |
|-----------|---|-----------|---|
| 1         | Gradateur                               | 000 ⇔ 255 | 0–100%                                  |
| 2         | Gradateur fin                           | 000 ⇔ 255 | 0–100%                                  |
| 3         | Rouge 1                                 | 000 ⇔ 255 | 0–100%                                  |
| 4         | Vert 1                                  | 000 ⇔ 255 | 0–100%                                  |
| 5         | Bleu 1                                  | 000 ⇔ 255 | 0–100%                                  |
| 6         | Ambre 1                                 | 000 ⇔ 255 | 0–100%                                  |
| 7         | Blanc 1                                 | 000 ⇔ 255 | 0–100%                                  |
| 8         | Macros de couleur 1                     | 000 ⇔ 010 | Pas de fonction                         |
|           |   | 011 ⇔ 034 | R: 100% G: 0–100% B: 0% A: 0% W: 0%     |
|           |   | 035 ⇔ 059 | R: 100–0% G: 100% B: 0% A: 0% W: 0%     |
|           |   | 060 ⇔ 084 | R: 0% G: 100% B: 0–100% A: 0% W: 0%     |
|           |   | 084 ⇔ 109 | R: 0% G: 100–0% B: 100% A: 0% W: 0%     |
|           |   | 110 ⇔ 134 | R: 0–100% G: 0% B: 100% A: 0% W: 0%     |
|           |   | 134 ⇔ 159 | R: 100% G: 0% B: 100–0% A: 0% W: 0%     |
|           |   | 160 ⇔ 184 | R: 100% G: 0–100% B: 0–100% A: 0% W: 0% |
| 184 ⇔ 209 | R: 100–0% G: 100–0% B: 100% A: 0% W: 0% |           |   |
| 210 ⇔ 255 | R: 100% G: 100% B: 100% A: 100% W: 100% |           |   |
| 9         | Températures de couleur 1               | 000 ⇔ 010 | Pas de fonction                         |
|           |   | 011 ⇔ 028 | Blanc 1                                 |
|           |   | 029 ⇔ 046 | Blanc 2                                 |
|           |   | 047 ⇔ 064 | Blanc 3                                 |
|           |   | 065 ⇔ 082 | Blanc 4                                 |
|           |   | 083 ⇔ 100 | Blanc 5                                 |
|           |   | 101 ⇔ 118 | Blanc 6                                 |
|           |   | 119 ⇔ 136 | Blanc 7                                 |
|           |   | 137 ⇔ 154 | Blanc 8                                 |
|           |   | 155 ⇔ 172 | Blanc 9                                 |
|           |   | 173 ⇔ 190 | Blanc 10                                |
|           |   | 191 ⇔ 208 | Blanc 11                                |
|           |   | 209 ⇔ 226 | Blanc 12                                |
|           |   | 227 ⇔ 244 | Blanc 13                                |
| 245 ⇔ 255 | Blanc 14                                |           |   |
| 10        | Stroboscope 1                           | 000 ⇔ 009 | Pas de fonction                         |
|           |   | 010 ⇔ 099 | Stroboscope, lent à rapide              |
|           |   | 100 ⇔ 109 | Pas de fonction                         |
|           |   | 110 ⇔ 179 | Stroboscope à pulsation, lent à rapide  |
|           |   | 180 ⇔ 189 | Pas de fonction                         |
| 190 ⇔ 255 | Stroboscope aléatoire, lent à rapide    |           |   |
| 11        | Rouge 2                                 | 000 ⇔ 255 | 0–100%                                  |
| 12        | Vert 2                                  | 000 ⇔ 255 | 0–100%                                  |

| Canal | Fonction                  | Valeur    | Pourcentage/Configuration               |
|-------|---------------------------|-----------|---|
| 13    | Bleu 2                    | 000 ⇔ 255 | 0–100%                                  |
| 14    | Ambre 2                   | 000 ⇔ 255 | 0–100%                                  |
| 15    | Blanc 2                   | 000 ⇔ 255 | 0–100%                                  |
| 16    | Macros de couleur 2       | 000 ⇔ 010 | Pas de fonction                         |
|       |                           | 011 ⇔ 034 | R: 100% G: 0–100% B: 0% A: 0% W: 0%     |
|       |                           | 035 ⇔ 059 | R: 100–0% G: 100% B: 0% A: 0% W: 0%     |
|       |                           | 060 ⇔ 084 | R: 0% G: 100% B: 0–100% A: 0% W: 0%     |
|       |                           | 084 ⇔ 109 | R: 0% G: 100–0% B: 100% A: 0% W: 0%     |
|       |                           | 110 ⇔ 134 | R: 0–100% G: 0% B: 100% A: 0% W: 0%     |
|       |                           | 134 ⇔ 159 | R: 100% G: 0% B: 100–0% A: 0% W: 0%     |
|       |                           | 160 ⇔ 184 | R: 100% G: 0–100% B: 0–100% A: 0% W: 0% |
|       |                           | 184 ⇔ 209 | R: 100–0% G: 100–0% B: 100% A: 0% W: 0% |
|       |                           | 210 ⇔ 255 | R: 100% G: 100% B: 100% A: 100% W: 100% |
| 17    | Températures de couleur 2 | 000 ⇔ 010 | Pas de fonction                         |
|       |                           | 011 ⇔ 028 | Blanc 1                                 |
|       |                           | 029 ⇔ 046 | Blanc 2                                 |
|       |                           | 047 ⇔ 064 | Blanc 3                                 |
|       |                           | 065 ⇔ 082 | Blanc 4                                 |
|       |                           | 083 ⇔ 100 | Blanc 5                                 |
|       |                           | 101 ⇔ 118 | Blanc 6                                 |
|       |                           | 119 ⇔ 136 | Blanc 7                                 |
|       |                           | 137 ⇔ 154 | Blanc 8                                 |
|       |                           | 155 ⇔ 172 | Blanc 9                                 |
|       |                           | 173 ⇔ 190 | Blanc 10                                |
|       |                           | 191 ⇔ 208 | Blanc 11                                |
|       |                           | 209 ⇔ 226 | Blanc 12                                |
|       |                           | 227 ⇔ 244 | Blanc 13                                |
|       |                           | 245 ⇔ 255 | Blanc 14                                |
| 18    | Stroboscope 2             | 000 ⇔ 009 | Pas de fonction                         |
|       |                           | 010 ⇔ 099 | Stroboscope, lent à rapide              |
|       |                           | 100 ⇔ 109 | Pas de fonction                         |
|       |                           | 110 ⇔ 179 | Stroboscope à pulsation, lent à rapide  |
|       |                           | 180 ⇔ 189 | Pas de fonction                         |
|       |                           | 190 ⇔ 255 | Stroboscope aléatoire, lent à rapide    |
| 19    | Rouge 3                   | 000 ⇔ 255 | 0–100%                                  |
| 20    | Vert 3                    | 000 ⇔ 255 | 0–100%                                  |
| 21    | Bleu 3                    | 000 ⇔ 255 | 0–100%                                  |
| 22    | Ambre 3                   | 000 ⇔ 255 | 0–100%                                  |
| 23    | Blanc 3                   | 000 ⇔ 255 | 0–100%                                  |
| 24    | Macros de couleur 3       | 000 ⇔ 010 | Pas de fonction                         |
|       |                           | 011 ⇔ 034 | R: 100% G: 0–100% B: 0% A: 0% W: 0%     |
|       |                           | 035 ⇔ 059 | R: 100–0% G: 100% B: 0% A: 0% W: 0%     |
|       |                           | 060 ⇔ 084 | R: 0% G: 100% B: 0–100% A: 0% W: 0%     |
|       |                           | 084 ⇔ 109 | R: 0% G: 100–0% B: 100% A: 0% W: 0%     |
|       |                           | 110 ⇔ 134 | R: 0–100% G: 0% B: 100% A: 0% W: 0%     |
|       |                           | 134 ⇔ 159 | R: 100% G: 0% B: 100–0% A: 0% W: 0%     |
|       |                           | 160 ⇔ 184 | R: 100% G: 0–100% B: 0–100% A: 0% W: 0% |
|       |                           | 184 ⇔ 209 | R: 100–0% G: 100–0% B: 100% A: 0% W: 0% |
|       |                           | 210 ⇔ 255 | R: 100% G: 100% B: 100% A: 100% W: 100% |

| Canal     | Fonction                  | Valeur    | Pourcentage/Configuration              |
|-----------|---------------------------|-----------|--|
| 25        | Températures de couleur 3 | 000 ⇔ 010 | Pas de fonction                        |
|           |                           | 011 ⇔ 028 | Blanc 1                                |
|           |                           | 029 ⇔ 046 | Blanc 2                                |
|           |                           | 047 ⇔ 064 | Blanc 3                                |
|           |                           | 065 ⇔ 082 | Blanc 4                                |
|           |                           | 083 ⇔ 100 | Blanc 5                                |
|           |                           | 101 ⇔ 118 | Blanc 6                                |
|           |                           | 119 ⇔ 136 | Blanc 7                                |
|           |                           | 137 ⇔ 154 | Blanc 8                                |
|           |                           | 155 ⇔ 172 | Blanc 9                                |
|           |                           | 173 ⇔ 190 | Blanc 10                               |
|           |                           | 191 ⇔ 208 | Blanc 11                               |
|           |                           | 209 ⇔ 226 | Blanc 12                               |
|           |                           | 227 ⇔ 244 | Blanc 13                               |
| 245 ⇔ 255 | Blanc 14                  |           |  |
| 26        | Stroboscope 3             | 000 ⇔ 009 | Pas de fonction                        |
|           |                           | 010 ⇔ 099 | Stroboscope, lent à rapide             |
|           |                           | 100 ⇔ 109 | Pas de fonction                        |
|           |                           | 110 ⇔ 179 | Stroboscope à pulsation, lent à rapide |
|           |                           | 180 ⇔ 189 | Pas de fonction                        |
|           |                           | 190 ⇔ 255 | Stroboscope aléatoire, lent à rapide   |
| 27        | Stroboscope tout          | 000 ⇔ 009 | Pas de fonction                        |
|           |                           | 010 ⇔ 099 | Stroboscope, lent à rapide             |
|           |                           | 100 ⇔ 109 | Pas de fonction                        |
|           |                           | 110 ⇔ 179 | Stroboscope à pulsation, lent à rapide |
|           |                           | 180 ⇔ 189 | Pas de fonction                        |
|           |                           | 190 ⇔ 255 | Stroboscope aléatoire, lent à rapide   |

**3 RGBAW (15 canaux)**

| Canal | Fonction | Valeur    | Pourcentage/Configuration |
|-------|----------|-----------|---------------------------|
| 1     | Rouge 1  | 000 ⇔ 255 | 0-100%                    |
| 2     | Vert 1   | 000 ⇔ 255 | 0-100%                    |
| 3     | Bleu 1   | 000 ⇔ 255 | 0-100%                    |
| 4     | Ambre 1  | 000 ⇔ 255 | 0-100%                    |
| 5     | Blanc 1  | 000 ⇔ 255 | 0-100%                    |
| 6     | Rouge 2  | 000 ⇔ 255 | 0-100%                    |
| 7     | Vert 2   | 000 ⇔ 255 | 0-100%                    |
| 8     | Bleu 2   | 000 ⇔ 255 | 0-100%                    |
| 9     | Ambre 2  | 000 ⇔ 255 | 0-100%                    |
| 10    | Blanc 2  | 000 ⇔ 255 | 0-100%                    |
| 11    | Rouge 3  | 000 ⇔ 255 | 0-100%                    |
| 12    | Vert 3   | 000 ⇔ 255 | 0-100%                    |
| 13    | Bleu 3   | 000 ⇔ 255 | 0-100%                    |
| 14    | Ambre 3  | 000 ⇔ 255 | 0-100%                    |
| 15    | Blanc 3  | 000 ⇔ 255 | 0-100%                    |

**3 RGBA EXT (24 canaux)**

| Canal | Fonction      | Valeur    | Pourcentage/Configuration |
|-------|---------------|-----------|---------------------------|
| 1     | Gradateur     | 000 ⇔ 255 | 0-100%                    |
| 2     | Gradateur fin | 000 ⇔ 255 | 0-100%                    |
| 3     | Rouge 1       | 000 ⇔ 255 | 0-100%                    |
| 4     | Vert 1        | 000 ⇔ 255 | 0-100%                    |
| 5     | Bleu 1        | 000 ⇔ 255 | 0-100%                    |
| 6     | Ambre 1       | 000 ⇔ 255 | 0-100%                    |

| Canal     | Fonction                         | Valeur    | Pourcentage/Configuration               |
|-----------|----------------------------------|-----------|---|
| <b>7</b>  | <b>Macros de couleur 1</b>       | 000 ⇔ 010 | Pas de fonction                         |
|           |                                  | 011 ⇔ 034 | R: 100% G: 0–100% B: 0% A: 0% W: 0%     |
|           |                                  | 035 ⇔ 059 | R: 100–0% G: 100% B: 0% A: 0% W: 0%     |
|           |                                  | 060 ⇔ 084 | R: 0% G: 100% B: 0–100% A: 0% W: 0%     |
|           |                                  | 084 ⇔ 109 | R: 0% G: 100–0% B: 100% A: 0% W: 0%     |
|           |                                  | 110 ⇔ 134 | R: 0–100% G: 0% B: 100% A: 0% W: 0%     |
|           |                                  | 134 ⇔ 159 | R: 100% G: 0% B: 100–0% A: 0% W: 0%     |
|           |                                  | 160 ⇔ 184 | R: 100% G: 0–100% B: 0–100% A: 0% W: 0% |
|           |                                  | 184 ⇔ 209 | R: 100–0% G: 100–0% B: 100% A: 0% W: 0% |
|           |                                  | 210 ⇔ 255 | R: 100% G: 100% B: 100% A: 100% W: 100% |
| <b>8</b>  | <b>Températures de couleur 1</b> | 000 ⇔ 010 | Pas de fonction                         |
|           |                                  | 011 ⇔ 028 | Blanc 1                                 |
|           |                                  | 029 ⇔ 046 | Blanc 2                                 |
|           |                                  | 047 ⇔ 064 | Blanc 3                                 |
|           |                                  | 065 ⇔ 082 | Blanc 4                                 |
|           |                                  | 083 ⇔ 100 | Blanc 5                                 |
|           |                                  | 101 ⇔ 118 | Blanc 6                                 |
|           |                                  | 119 ⇔ 136 | Blanc 7                                 |
|           |                                  | 137 ⇔ 154 | Blanc 8                                 |
|           |                                  | 155 ⇔ 172 | Blanc 9                                 |
|           |                                  | 173 ⇔ 190 | Blanc 10                                |
|           |                                  | 191 ⇔ 208 | Blanc 11                                |
|           |                                  | 209 ⇔ 226 | Blanc 12                                |
|           |                                  | 227 ⇔ 244 | Blanc 13                                |
| 245 ⇔ 255 | Blanc 14                         |           |   |
| <b>9</b>  | <b>Stroboscope 1</b>             | 000 ⇔ 009 | Pas de fonction                         |
|           |                                  | 010 ⇔ 099 | Stroboscope, lent à rapide              |
|           |                                  | 100 ⇔ 109 | Pas de fonction                         |
|           |                                  | 110 ⇔ 179 | Stroboscope à pulsation, lent à rapide  |
|           |                                  | 180 ⇔ 189 | Pas de fonction                         |
|           |                                  | 190 ⇔ 255 | Stroboscope aléatoire, lent à rapide    |
| <b>10</b> | <b>Rouge 2</b>                   | 000 ⇔ 255 | 0–100%                                  |
| <b>11</b> | <b>Vert 2</b>                    | 000 ⇔ 255 | 0–100%                                  |
| <b>12</b> | <b>Bleu 2</b>                    | 000 ⇔ 255 | 0–100%                                  |
| <b>13</b> | <b>Ambre 2</b>                   | 000 ⇔ 255 | 0–100%                                  |
| <b>14</b> | <b>Macros de couleur 2</b>       | 000 ⇔ 010 | Pas de fonction                         |
|           |                                  | 011 ⇔ 034 | R: 100% G: 0–100% B: 0% A: 0% W: 0%     |
|           |                                  | 035 ⇔ 059 | R: 100–0% G: 100% B: 0% A: 0% W: 0%     |
|           |                                  | 060 ⇔ 084 | R: 0% G: 100% B: 0–100% A: 0% W: 0%     |
|           |                                  | 084 ⇔ 109 | R: 0% G: 100–0% B: 100% A: 0% W: 0%     |
|           |                                  | 110 ⇔ 134 | R: 0–100% G: 0% B: 100% A: 0% W: 0%     |
|           |                                  | 134 ⇔ 159 | R: 100% G: 0% B: 100–0% A: 0% W: 0%     |
|           |                                  | 160 ⇔ 184 | R: 100% G: 0–100% B: 0–100% A: 0% W: 0% |
|           |                                  | 184 ⇔ 209 | R: 100–0% G: 100–0% B: 100% A: 0% W: 0% |
|           |                                  | 210 ⇔ 255 | R: 100% G: 100% B: 100% A: 100% W: 100% |

| Canal     | Fonction                                | Valeur    | Pourcentage/Configuration               |
|-----------|---|-----------|---|
| 15        | Températures de couleur 2               | 000 ⇄ 010 | Pas de fonction                         |
|           |   | 011 ⇄ 028 | Blanc 1                                 |
|           |   | 029 ⇄ 046 | Blanc 2                                 |
|           |   | 047 ⇄ 064 | Blanc 3                                 |
|           |   | 065 ⇄ 082 | Blanc 4                                 |
|           |   | 083 ⇄ 100 | Blanc 5                                 |
|           |   | 101 ⇄ 118 | Blanc 6                                 |
|           |   | 119 ⇄ 136 | Blanc 7                                 |
|           |   | 137 ⇄ 154 | Blanc 8                                 |
|           |   | 155 ⇄ 172 | Blanc 9                                 |
|           |   | 173 ⇄ 190 | Blanc 10                                |
|           |   | 191 ⇄ 208 | Blanc 11                                |
|           |   | 209 ⇄ 226 | Blanc 12                                |
|           |   | 227 ⇄ 244 | Blanc 13                                |
| 245 ⇄ 255 | Blanc 14                                |           |   |
| 16        | Stroboscope 2                           | 000 ⇄ 009 | Pas de fonction                         |
|           |   | 010 ⇄ 099 | Stroboscope, lent à rapide              |
|           |   | 100 ⇄ 109 | Pas de fonction                         |
|           |   | 110 ⇄ 179 | Stroboscope à pulsation, lent à rapide  |
|           |   | 180 ⇄ 189 | Pas de fonction                         |
|           |   | 190 ⇄ 255 | Stroboscope aléatoire, lent à rapide    |
| 17        | Rouge 3                                 | 000 ⇄ 255 | 0–100%                                  |
| 18        | Vert 3                                  | 000 ⇄ 255 | 0–100%                                  |
| 19        | Bleu 3                                  | 000 ⇄ 255 | 0–100%                                  |
| 20        | Ambre 3                                 | 000 ⇄ 255 | 0–100%                                  |
| 21        | Macros de couleur 3                     | 000 ⇄ 010 | Pas de fonction                         |
|           |   | 011 ⇄ 034 | R: 100% G: 0–100% B: 0% A: 0% W: 0%     |
|           |   | 035 ⇄ 059 | R: 100–0% G: 100% B: 0% A: 0% W: 0%     |
|           |   | 060 ⇄ 084 | R: 0% G: 100% B: 0–100% A: 0% W: 0%     |
|           |   | 084 ⇄ 109 | R: 0% G: 100–0% B: 100% A: 0% W: 0%     |
|           |   | 110 ⇄ 134 | R: 0–100% G: 0% B: 100% A: 0% W: 0%     |
|           |   | 134 ⇄ 159 | R: 100% G: 0% B: 100–0% A: 0% W: 0%     |
|           |   | 160 ⇄ 184 | R: 100% G: 0–100% B: 0–100% A: 0% W: 0% |
|           |   | 184 ⇄ 209 | R: 100–0% G: 100–0% B: 100% A: 0% W: 0% |
| 210 ⇄ 255 | R: 100% G: 100% B: 100% A: 100% W: 100% |           |   |
| 22        | Températures de couleur 3               | 000 ⇄ 010 | Pas de fonction                         |
|           |   | 011 ⇄ 028 | Blanc 1                                 |
|           |   | 029 ⇄ 046 | Blanc 2                                 |
|           |   | 047 ⇄ 064 | Blanc 3                                 |
|           |   | 065 ⇄ 082 | Blanc 4                                 |
|           |   | 083 ⇄ 100 | Blanc 5                                 |
|           |   | 101 ⇄ 118 | Blanc 6                                 |
|           |   | 119 ⇄ 136 | Blanc 7                                 |
|           |   | 137 ⇄ 154 | Blanc 8                                 |
|           |   | 155 ⇄ 172 | Blanc 9                                 |
|           |   | 173 ⇄ 190 | Blanc 10                                |
|           |   | 191 ⇄ 208 | Blanc 11                                |
|           |   | 209 ⇄ 226 | Blanc 12                                |
|           |   | 227 ⇄ 244 | Blanc 13                                |
| 245 ⇄ 255 | Blanc 14                                |           |   |

| Canal | Fonction         | Valeur    | Pourcentage/Configuration              |
|-------|------------------|-----------|--|
| 23    | Stroboscope 3    | 000 ⇔ 009 | Pas de fonction                        |
|       |                  | 010 ⇔ 099 | Stroboscope, lent à rapide             |
|       |                  | 100 ⇔ 109 | Pas de fonction                        |
|       |                  | 110 ⇔ 179 | Stroboscope à pulsation, lent à rapide |
|       |                  | 180 ⇔ 189 | Pas de fonction                        |
|       |                  | 190 ⇔ 255 | Stroboscope aléatoire, lent à rapide   |
| 24    | Stroboscope tout | 000 ⇔ 009 | Pas de fonction                        |
|       |                  | 010 ⇔ 099 | Stroboscope, lent à rapide             |
|       |                  | 100 ⇔ 109 | Pas de fonction                        |
|       |                  | 110 ⇔ 179 | Stroboscope à pulsation, lent à rapide |
|       |                  | 180 ⇔ 189 | Pas de fonction                        |
|       |                  | 190 ⇔ 255 | Stroboscope aléatoire, lent à rapide   |

**3 RGBA (12 canaux)**

| Canal | Fonction | Valeur    | Pourcentage/Configuration |
|-------|----------|-----------|---------------------------|
| 1     | Rouge 1  | 000 ⇔ 255 | 0–100%                    |
| 2     | Vert 1   | 000 ⇔ 255 | 0–100%                    |
| 3     | Bleu 1   | 000 ⇔ 255 | 0–100%                    |
| 4     | Ambre 1  | 000 ⇔ 255 | 0–100%                    |
| 5     | Rouge 2  | 000 ⇔ 255 | 0–100%                    |
| 6     | Vert 2   | 000 ⇔ 255 | 0–100%                    |
| 7     | Bleu 2   | 000 ⇔ 255 | 0–100%                    |
| 8     | Ambre 2  | 000 ⇔ 255 | 0–100%                    |
| 9     | Rouge 3  | 000 ⇔ 255 | 0–100%                    |
| 10    | Vert 3   | 000 ⇔ 255 | 0–100%                    |
| 11    | Bleu 3   | 000 ⇔ 255 | 0–100%                    |
| 12    | Ambre 3  | 000 ⇔ 255 | 0–100%                    |

**3 RGB EXT (21 canaux)**

| Canal     | Fonction                                | Valeur    | Pourcentage/Configuration               |
|-----------|---|-----------|---|
| 1         | Gradateur                               | 000 ⇔ 255 | 0–100%                                  |
| 2         | Gradateur fin                           | 000 ⇔ 255 | 0–100%                                  |
| 3         | Rouge 1                                 | 000 ⇔ 255 | 0–100%                                  |
| 4         | Vert 1                                  | 000 ⇔ 255 | 0–100%                                  |
| 5         | Bleu 1                                  | 000 ⇔ 255 | 0–100%                                  |
| 6         | Macros de couleur 1                     | 000 ⇔ 010 | Pas de fonction                         |
|           |   | 011 ⇔ 034 | R: 100% G: 0–100% B: 0% A: 0% W: 0%     |
|           |   | 035 ⇔ 059 | R: 100–0% G: 100% B: 0% A: 0% W: 0%     |
|           |   | 060 ⇔ 084 | R: 0% G: 100% B: 0–100% A: 0% W: 0%     |
|           |   | 084 ⇔ 109 | R: 0% G: 100–0% B: 100% A: 0% W: 0%     |
|           |   | 110 ⇔ 134 | R: 0–100% G: 0% B: 100% A: 0% W: 0%     |
|           |   | 134 ⇔ 159 | R: 100% G: 0% B: 100–0% A: 0% W: 0%     |
|           |   | 160 ⇔ 184 | R: 100% G: 0–100% B: 0–100% A: 0% W: 0% |
|           |   | 184 ⇔ 209 | R: 100–0% G: 100–0% B: 100% A: 0% W: 0% |
| 210 ⇔ 255 | R: 100% G: 100% B: 100% A: 100% W: 100% |           |   |

| Canal     | Fonction                  | Valeur    | Pourcentage/Configuration               |
|-----------|---------------------------|-----------|---|
| 7         | Températures de couleur 1 | 000 ⇄ 010 | Pas de fonction                         |
|           |                           | 011 ⇄ 028 | Blanc 1                                 |
|           |                           | 029 ⇄ 046 | Blanc 2                                 |
|           |                           | 047 ⇄ 064 | Blanc 3                                 |
|           |                           | 065 ⇄ 082 | Blanc 4                                 |
|           |                           | 083 ⇄ 100 | Blanc 5                                 |
|           |                           | 101 ⇄ 118 | Blanc 6                                 |
|           |                           | 119 ⇄ 136 | Blanc 7                                 |
|           |                           | 137 ⇄ 154 | Blanc 8                                 |
|           |                           | 155 ⇄ 172 | Blanc 9                                 |
|           |                           | 173 ⇄ 190 | Blanc 10                                |
|           |                           | 191 ⇄ 208 | Blanc 11                                |
|           |                           | 209 ⇄ 226 | Blanc 12                                |
|           |                           | 227 ⇄ 244 | Blanc 13                                |
| 245 ⇄ 255 | Blanc 14                  |           |   |
| 8         | Stroboscope 1             | 000 ⇄ 009 | Pas de fonction                         |
|           |                           | 010 ⇄ 099 | Stroboscope, lent à rapide              |
|           |                           | 100 ⇄ 109 | Pas de fonction                         |
|           |                           | 110 ⇄ 179 | Stroboscope à pulsation, lent à rapide  |
|           |                           | 180 ⇄ 189 | Pas de fonction                         |
|           |                           | 190 ⇄ 255 | Stroboscope aléatoire, lent à rapide    |
| 9         | Rouge 2                   | 000 ⇄ 255 | 0-100%                                  |
| 10        | Vert 2                    | 000 ⇄ 255 | 0-100%                                  |
| 11        | Bleu 2                    | 000 ⇄ 255 | 0-100%                                  |
| 12        | Macros de couleur 2       | 000 ⇄ 010 | Pas de fonction                         |
|           |                           | 011 ⇄ 034 | R: 100% G: 0-100% B: 0% A: 0% W: 0%     |
|           |                           | 035 ⇄ 059 | R: 100-0% G: 100% B: 0% A: 0% W: 0%     |
|           |                           | 060 ⇄ 084 | R: 0% G: 100% B: 0-100% A: 0% W: 0%     |
|           |                           | 084 ⇄ 109 | R: 0% G: 100-0% B: 100% A: 0% W: 0%     |
|           |                           | 110 ⇄ 134 | R: 0-100% G: 0% B: 100% A: 0% W: 0%     |
|           |                           | 134 ⇄ 159 | R: 100% G: 0% B: 100-0% A: 0% W: 0%     |
|           |                           | 160 ⇄ 184 | R: 100% G: 0-100% B: 0-100% A: 0% W: 0% |
|           |                           | 184 ⇄ 209 | R: 100-0% G: 100-0% B: 100% A: 0% W: 0% |
|           |                           | 210 ⇄ 255 | R: 100% G: 100% B: 100% A: 100% W: 100% |
| 13        | Températures de couleur 2 | 000 ⇄ 010 | Pas de fonction                         |
|           |                           | 011 ⇄ 028 | Blanc 1                                 |
|           |                           | 029 ⇄ 046 | Blanc 2                                 |
|           |                           | 047 ⇄ 064 | Blanc 3                                 |
|           |                           | 065 ⇄ 082 | Blanc 4                                 |
|           |                           | 083 ⇄ 100 | Blanc 5                                 |
|           |                           | 101 ⇄ 118 | Blanc 6                                 |
|           |                           | 119 ⇄ 136 | Blanc 7                                 |
|           |                           | 137 ⇄ 154 | Blanc 8                                 |
|           |                           | 155 ⇄ 172 | Blanc 9                                 |
|           |                           | 173 ⇄ 190 | Blanc 10                                |
|           |                           | 191 ⇄ 208 | Blanc 11                                |
|           |                           | 209 ⇄ 226 | Blanc 12                                |
|           |                           | 227 ⇄ 244 | Blanc 13                                |
| 245 ⇄ 255 | Blanc 14                  |           |   |
| 14        | Stroboscope 2             | 000 ⇄ 009 | Pas de fonction                         |
|           |                           | 010 ⇄ 099 | Stroboscope, lent à rapide              |
|           |                           | 100 ⇄ 109 | Pas de fonction                         |
|           |                           | 110 ⇄ 179 | Stroboscope à pulsation, lent à rapide  |
|           |                           | 180 ⇄ 189 | Pas de fonction                         |
|           |                           | 190 ⇄ 255 | Stroboscope aléatoire, lent à rapide    |



| Canal     | Fonction                  | Valeur    | Pourcentage/Configuration               |
|-----------|---------------------------|-----------|---|
| 15        | Rouge 3                   | 000 ⇔ 255 | 0–100%                                  |
| 16        | Vert 3                    | 000 ⇔ 255 | 0–100%                                  |
| 17        | Bleu 3                    | 000 ⇔ 255 | 0–100%                                  |
| 18        | Macros de couleur 3       | 000 ⇔ 010 | Pas de fonction                         |
|           |                           | 011 ⇔ 034 | R: 100% G: 0–100% B: 0% A: 0% W: 0%     |
|           |                           | 035 ⇔ 059 | R: 100–0% G: 100% B: 0% A: 0% W: 0%     |
|           |                           | 060 ⇔ 084 | R: 0% G: 100% B: 0–100% A: 0% W: 0%     |
|           |                           | 084 ⇔ 109 | R: 0% G: 100–0% B: 100% A: 0% W: 0%     |
|           |                           | 110 ⇔ 134 | R: 0–100% G: 0% B: 100% A: 0% W: 0%     |
|           |                           | 134 ⇔ 159 | R: 100% G: 0% B: 100–0% A: 0% W: 0%     |
|           |                           | 160 ⇔ 184 | R: 100% G: 0–100% B: 0–100% A: 0% W: 0% |
|           |                           | 184 ⇔ 209 | R: 100–0% G: 100–0% B: 100% A: 0% W: 0% |
|           |                           | 210 ⇔ 255 | R: 100% G: 100% B: 100% A: 100% W: 100% |
| 19        | Températures de couleur 3 | 000 ⇔ 010 | Pas de fonction                         |
|           |                           | 011 ⇔ 028 | Blanc 1                                 |
|           |                           | 029 ⇔ 046 | Blanc 2                                 |
|           |                           | 047 ⇔ 064 | Blanc 3                                 |
|           |                           | 065 ⇔ 082 | Blanc 4                                 |
|           |                           | 083 ⇔ 100 | Blanc 5                                 |
|           |                           | 101 ⇔ 118 | Blanc 6                                 |
|           |                           | 119 ⇔ 136 | Blanc 7                                 |
|           |                           | 137 ⇔ 154 | Blanc 8                                 |
|           |                           | 155 ⇔ 172 | Blanc 9                                 |
|           |                           | 173 ⇔ 190 | Blanc 10                                |
|           |                           | 191 ⇔ 208 | Blanc 11                                |
|           |                           | 209 ⇔ 226 | Blanc 12                                |
|           |                           | 227 ⇔ 244 | Blanc 13                                |
| 245 ⇔ 255 | Blanc 14                  |           |   |
| 20        | Stroboscope 3             | 000 ⇔ 009 | Pas de fonction                         |
|           |                           | 010 ⇔ 099 | Stroboscope, lent à rapide              |
|           |                           | 100 ⇔ 109 | Pas de fonction                         |
|           |                           | 110 ⇔ 179 | Stroboscope à pulsation, lent à rapide  |
|           |                           | 180 ⇔ 189 | Pas de fonction                         |
|           |                           | 190 ⇔ 255 | Stroboscope aléatoire, lent à rapide    |
| 21        | Stroboscope tout          | 000 ⇔ 009 | Pas de fonction                         |
|           |                           | 010 ⇔ 099 | Stroboscope, lent à rapide              |
|           |                           | 100 ⇔ 109 | Pas de fonction                         |
|           |                           | 110 ⇔ 179 | Stroboscope à pulsation, lent à rapide  |
|           |                           | 180 ⇔ 189 | Pas de fonction                         |
|           |                           | 190 ⇔ 255 | Stroboscope aléatoire, lent à rapide    |

**3 RGB (9 canaux)**

| Canal | Fonction | Valeur    | Pourcentage/Configuration |
|-------|----------|-----------|---------------------------|
| 1     | Rouge 1  | 000 ⇔ 255 | 0–100%                    |
| 2     | Vert 1   | 000 ⇔ 255 | 0–100%                    |
| 3     | Bleu 1   | 000 ⇔ 255 | 0–100%                    |
| 4     | Rouge 2  | 000 ⇔ 255 | 0–100%                    |
| 5     | Vert 2   | 000 ⇔ 255 | 0–100%                    |
| 6     | Bleu 2   | 000 ⇔ 255 | 0–100%                    |
| 7     | Rouge 3  | 000 ⇔ 255 | 0–100%                    |
| 8     | Vert 3   | 000 ⇔ 255 | 0–100%                    |
| 9     | Bleu 3   | 000 ⇔ 255 | 0–100%                    |

FR

**DMX Valeurs à 1 cellule**

**1 HSIC (8 canaux)**

| Canal     | Fonction                                | Valeur    | Pourcentage/Configuration  |
|-----------|---|-----------|--|
| 1         | Gradateur                               | 000 ⇔ 255 | 0–100%   |
| 2         | Teinte                                  | 000 ⇔ 255 | 0–100%   |
| 3         | Teinte fin                              | 000 ⇔ 255 | 0–100%   |
| 4         | Saturation                              | 000 ⇔ 255 | 0–100%   |
| 5         | Stroboscope                             | 000 ⇔ 009 | Pas de fonction  |
|           |   | 010 ⇔ 099 | Stroboscope, lent à rapide   |
|           |   | 100 ⇔ 109 | Pas de fonction  |
|           |   | 110 ⇔ 179 | Stroboscope à pulsation, lent à rapide                             |
|           |   | 180 ⇔ 189 | Pas de fonction  |
|           |   | 190 ⇔ 255 | Stroboscope aléatoire, lent à rapide                               |
| 6         | Macros de couleur                       | 000 ⇔ 010 | Pas de fonction  |
|           |   | 011 ⇔ 034 | R: 100% G: 0–100% B: 0% A: 0% W: 0%                                |
|           |   | 035 ⇔ 059 | R: 100–0% G: 100% B: 0% A: 0% W: 0%                                |
|           |   | 060 ⇔ 084 | R: 0% G: 100% B: 0–100% A: 0% W: 0%                                |
|           |   | 084 ⇔ 109 | R: 0% G: 100–0% B: 100% A: 0% W: 0%                                |
|           |   | 110 ⇔ 134 | R: 0–100% G: 0% B: 100% A: 0% W: 0%                                |
|           |   | 134 ⇔ 159 | R: 100% G: 0% B: 100–0% A: 0% W: 0%                                |
|           |   | 160 ⇔ 184 | R: 100% G: 0–100% B: 0–100% A: 0% W: 0%                            |
|           |   | 184 ⇔ 209 | R: 100–0% G: 100–0% B: 100% A: 0% W: 0%                            |
| 210 ⇔ 255 | R: 100% G: 100% B: 100% A: 100% W: 100% |           |  |
| 7         | Températures de couleur                 | 000 ⇔ 010 | Pas de fonction  |
|           |   | 011 ⇔ 028 | Blanc 1  |
|           |   | 029 ⇔ 046 | Blanc 2  |
|           |   | 047 ⇔ 064 | Blanc 3  |
|           |   | 065 ⇔ 082 | Blanc 4  |
|           |   | 083 ⇔ 100 | Blanc 5  |
|           |   | 101 ⇔ 118 | Blanc 6  |
|           |   | 119 ⇔ 136 | Blanc 7  |
|           |   | 137 ⇔ 154 | Blanc 8  |
|           |   | 155 ⇔ 172 | Blanc 9  |
|           |   | 173 ⇔ 190 | Blanc 10   |
|           |   | 191 ⇔ 208 | Blanc 11   |
|           |   | 209 ⇔ 226 | Blanc 12   |
|           |   | 227 ⇔ 244 | Blanc 13   |
| 245 ⇔ 255 | Blanc 14                                |           |  |
| 8         | Vitesse du gradateur                    | 000 ⇔ 009 | Préréglage de vitesse d'assombrissement à partir du menu affichage |
|           |   | 010 ⇔ 029 | Arrêt du mode de vitesse d'assombrissement                         |
|           |   | 030 ⇔ 069 | Mode 1 de vitesse d'assombrissement (rapide)                       |
|           |   | 070 ⇔ 129 | Mode 2 de vitesse d'assombrissement                                |
|           |   | 130 ⇔ 189 | Mode 3 de vitesse d'assombrissement                                |
|           |   | 190 ⇔ 255 | Mode 4 de vitesse d'assombrissement (lente)                        |

**1 RGBAW FUL (16 canaux)**

| Canal | Fonction      | Valeur    | Pourcentage/Configuration |
|-------|---------------|-----------|---------------------------|
| 1     | Gradateur     | 000 ⇔ 255 | 0–100%                    |
| 2     | Gradateur fin | 000 ⇔ 255 | 0–100%                    |
| 3     | Rouge         | 000 ⇔ 255 | 0–100%                    |
| 4     | Rouge fin     | 000 ⇔ 255 | 0–100%                    |
| 5     | Vert          | 000 ⇔ 255 | 0–100%                    |
| 6     | Vert fin      | 000 ⇔ 255 | 0–100%                    |
| 7     | Bleu          | 000 ⇔ 255 | 0–100%                    |
| 8     | Bleu fin      | 000 ⇔ 255 | 0–100%                    |

| Canal | Fonction                | Valeur    | Pourcentage/Configuration  |
|-------|-------------------------|-----------|--|
| 9     | Ambre                   | 000 ⇔ 255 | 0–100%   |
| 10    | Ambre fin               | 000 ⇔ 255 | 0–100%   |
| 11    | Blanc                   | 000 ⇔ 255 | 0–100%   |
| 12    | Blanc fin               | 000 ⇔ 255 | 0–100%   |
| 13    | Macros de couleur       | 000 ⇔ 010 | Pas de fonction  |
|       |                         | 011 ⇔ 034 | R: 100% G: 0–100% B: 0% A: 0% W: 0%                                |
|       |                         | 035 ⇔ 059 | R: 100–0% G: 100% B: 0% A: 0% W: 0%                                |
|       |                         | 060 ⇔ 084 | R: 0% G: 100% B: 0–100% A: 0% W: 0%                                |
|       |                         | 084 ⇔ 109 | R: 0% G: 100–0% B: 100% A: 0% W: 0%                                |
|       |                         | 110 ⇔ 134 | R: 0–100% G: 0% B: 100% A: 0% W: 0%                                |
|       |                         | 134 ⇔ 159 | R: 100% G: 0% B: 100–0% A: 0% W: 0%                                |
|       |                         | 160 ⇔ 184 | R: 100% G: 0–100% B: 0–100% A: 0% W: 0%                            |
|       |                         | 184 ⇔ 209 | R: 100–0% G: 100–0% B: 100% A: 0% W: 0%                            |
|       |                         | 210 ⇔ 255 | R: 100% G: 100% B: 100% A: 100% W: 100%                            |
| 14    | Températures de couleur | 000 ⇔ 010 | Pas de fonction  |
|       |                         | 011 ⇔ 028 | Blanc 1  |
|       |                         | 029 ⇔ 046 | Blanc 2  |
|       |                         | 047 ⇔ 064 | Blanc 3  |
|       |                         | 065 ⇔ 082 | Blanc 4  |
|       |                         | 083 ⇔ 100 | Blanc 5  |
|       |                         | 101 ⇔ 118 | Blanc 6  |
|       |                         | 119 ⇔ 136 | Blanc 7  |
|       |                         | 137 ⇔ 154 | Blanc 8  |
|       |                         | 155 ⇔ 172 | Blanc 9  |
|       |                         | 173 ⇔ 190 | Blanc 10   |
|       |                         | 191 ⇔ 208 | Blanc 11   |
|       |                         | 209 ⇔ 226 | Blanc 12   |
|       |                         | 227 ⇔ 244 | Blanc 13   |
|       |                         | 245 ⇔ 255 | Blanc 14   |
| 15    | Stroboscope             | 000 ⇔ 009 | Pas de fonction  |
|       |                         | 010 ⇔ 099 | Stroboscope, lent à rapide   |
|       |                         | 100 ⇔ 109 | Pas de fonction  |
|       |                         | 110 ⇔ 179 | Stroboscope à pulsation, lent à rapide                             |
|       |                         | 180 ⇔ 189 | Pas de fonction  |
|       |                         | 190 ⇔ 255 | Stroboscope aléatoire, lent à rapide                               |
| 16    | Vitesse du gradateur    | 000 ⇔ 009 | Préréglage de vitesse d'assombrissement à partir du menu affichage |
|       |                         | 010 ⇔ 029 | Arrêt du mode de vitesse d'assombrissement                         |
|       |                         | 030 ⇔ 069 | Mode 1 de vitesse d'assombrissement (rapide)                       |
|       |                         | 070 ⇔ 129 | Mode 2 de vitesse d'assombrissement                                |
|       |                         | 130 ⇔ 189 | Mode 3 de vitesse d'assombrissement                                |
|       |                         | 190 ⇔ 255 | Mode 4 de vitesse d'assombrissement (lente)                        |

**1 RGBAW FIN (10 canaux)**

| Canal | Fonction  | Valeur    | Pourcentage/Configuration |
|-------|-----------|-----------|---------------------------|
| 1     | Rouge     | 000 ⇔ 255 | 0–100%                    |
| 2     | Rouge fin | 000 ⇔ 255 | 0–100%                    |
| 3     | Vert      | 000 ⇔ 255 | 0–100%                    |
| 4     | Vert fin  | 000 ⇔ 255 | 0–100%                    |
| 5     | Bleu      | 000 ⇔ 255 | 0–100%                    |
| 6     | Bleu fin  | 000 ⇔ 255 | 0–100%                    |
| 7     | Ambre     | 000 ⇔ 255 | 0–100%                    |
| 8     | Ambre fin | 000 ⇔ 255 | 0–100%                    |
| 9     | Blanc     | 000 ⇔ 255 | 0–100%                    |
| 10    | Blanc fin | 000 ⇔ 255 | 0–100%                    |

1 RGBAW EXT (10 canaux)

| Canal     | Fonction                                | Valeur    | Pourcentage/Configuration               |
|-----------|---|-----------|---|
| 1         | Gradateur                               | 000 ⇔ 255 | 0–100%                                  |
| 2         | Gradateur fin                           | 000 ⇔ 255 | 0–100%                                  |
| 3         | Rouge                                   | 000 ⇔ 255 | 0–100%                                  |
| 4         | Vert                                    | 000 ⇔ 255 | 0–100%                                  |
| 5         | Bleu                                    | 000 ⇔ 255 | 0–100%                                  |
| 6         | Ambre                                   | 000 ⇔ 255 | 0–100%                                  |
| 7         | Blanc                                   | 000 ⇔ 255 | 0–100%                                  |
| 8         | Macros de couleur                       | 000 ⇔ 010 | Pas de fonction                         |
|           |   | 011 ⇔ 034 | R: 100% G: 0–100% B: 0% A: 0% W: 0%     |
|           |   | 035 ⇔ 059 | R: 100–0% G: 100% B: 0% A: 0% W: 0%     |
|           |   | 060 ⇔ 084 | R: 0% G: 100% B: 0–100% A: 0% W: 0%     |
|           |   | 084 ⇔ 109 | R: 0% G: 100–0% B: 100% A: 0% W: 0%     |
|           |   | 110 ⇔ 134 | R: 0–100% G: 0% B: 100% A: 0% W: 0%     |
|           |   | 134 ⇔ 159 | R: 100% G: 0% B: 100–0% A: 0% W: 0%     |
|           |   | 160 ⇔ 184 | R: 100% G: 0–100% B: 0–100% A: 0% W: 0% |
|           |   | 184 ⇔ 209 | R: 100–0% G: 100–0% B: 100% A: 0% W: 0% |
| 210 ⇔ 255 | R: 100% G: 100% B: 100% A: 100% W: 100% |           |   |
| 9         | Températures de couleur                 | 000 ⇔ 010 | Pas de fonction                         |
|           |   | 011 ⇔ 028 | Blanc 1                                 |
|           |   | 029 ⇔ 046 | Blanc 2                                 |
|           |   | 047 ⇔ 064 | Blanc 3                                 |
|           |   | 065 ⇔ 082 | Blanc 4                                 |
|           |   | 083 ⇔ 100 | Blanc 5                                 |
|           |   | 101 ⇔ 118 | Blanc 6                                 |
|           |   | 119 ⇔ 136 | Blanc 7                                 |
|           |   | 137 ⇔ 154 | Blanc 8                                 |
|           |   | 155 ⇔ 172 | Blanc 9                                 |
|           |   | 173 ⇔ 190 | Blanc 10                                |
|           |   | 191 ⇔ 208 | Blanc 11                                |
|           |   | 209 ⇔ 226 | Blanc 12                                |
|           |   | 227 ⇔ 244 | Blanc 13                                |
| 245 ⇔ 255 | Blanc 14                                |           |   |
| 10        | Stroboscope                             | 000 ⇔ 009 | Pas de fonction                         |
|           |   | 010 ⇔ 099 | Stroboscope, lent à rapide              |
|           |   | 100 ⇔ 109 | Pas de fonction                         |
|           |   | 110 ⇔ 179 | Stroboscope à pulsation, lent à rapide  |
|           |   | 180 ⇔ 189 | Pas de fonction                         |
|           |   | 190 ⇔ 255 | Stroboscope aléatoire, lent à rapide    |

1 RGBAW (5 canaux)

| Canal | Fonction | Valeur    | Pourcentage/Configuration |
|-------|----------|-----------|---------------------------|
| 1     | Rouge    | 000 ⇔ 255 | 0–100%                    |
| 2     | Vert     | 000 ⇔ 255 | 0–100%                    |
| 3     | Bleu     | 000 ⇔ 255 | 0–100%                    |
| 4     | Ambre    | 000 ⇔ 255 | 0–100%                    |
| 5     | Blanc    | 000 ⇔ 255 | 0–100%                    |

1 RGBA EXT (9 canaux)

| Canal | Fonction      | Valeur    | Pourcentage/Configuration |
|-------|---------------|-----------|---------------------------|
| 1     | Gradateur     | 000 ⇔ 255 | 0–100%                    |
| 2     | Gradateur fin | 000 ⇔ 255 | 0–100%                    |
| 3     | Rouge         | 000 ⇔ 255 | 0–100%                    |

| Canal | Fonction                | Valeur    | Pourcentage/Configuration               |
|-------|-------------------------|-----------|---|
| 4     | Vert                    | 000 ⇔ 255 | 0–100%                                  |
| 5     | Bleu                    | 000 ⇔ 255 | 0–100%                                  |
| 6     | Ambre                   | 000 ⇔ 255 | 0–100%                                  |
| 7     | Macros de couleur       | 000 ⇔ 010 | Pas de fonction                         |
|       |                         | 011 ⇔ 034 | R: 100% G: 0–100% B: 0% A: 0% W: 0%     |
|       |                         | 035 ⇔ 059 | R: 100–0% G: 100% B: 0% A: 0% W: 0%     |
|       |                         | 060 ⇔ 084 | R: 0% G: 100% B: 0–100% A: 0% W: 0%     |
|       |                         | 084 ⇔ 109 | R: 0% G: 100–0% B: 100% A: 0% W: 0%     |
|       |                         | 110 ⇔ 134 | R: 0–100% G: 0% B: 100% A: 0% W: 0%     |
|       |                         | 134 ⇔ 159 | R: 100% G: 0% B: 100–0% A: 0% W: 0%     |
|       |                         | 160 ⇔ 184 | R: 100% G: 0–100% B: 0–100% A: 0% W: 0% |
|       |                         | 184 ⇔ 209 | R: 100–0% G: 100–0% B: 100% A: 0% W: 0% |
|       |                         | 210 ⇔ 255 | R: 100% G: 100% B: 100% A: 100% W: 100% |
| 8     | Températures de couleur | 000 ⇔ 010 | Pas de fonction                         |
|       |                         | 011 ⇔ 028 | Blanc 1                                 |
|       |                         | 029 ⇔ 046 | Blanc 2                                 |
|       |                         | 047 ⇔ 064 | Blanc 3                                 |
|       |                         | 065 ⇔ 082 | Blanc 4                                 |
|       |                         | 083 ⇔ 100 | Blanc 5                                 |
|       |                         | 101 ⇔ 118 | Blanc 6                                 |
|       |                         | 119 ⇔ 136 | Blanc 7                                 |
|       |                         | 137 ⇔ 154 | Blanc 8                                 |
|       |                         | 155 ⇔ 172 | Blanc 9                                 |
|       |                         | 173 ⇔ 190 | Blanc 10                                |
|       |                         | 191 ⇔ 208 | Blanc 11                                |
|       |                         | 209 ⇔ 226 | Blanc 12                                |
|       |                         | 227 ⇔ 244 | Blanc 13                                |
|       |                         | 245 ⇔ 255 | Blanc 14                                |
| 9     | Stroboscope             | 000 ⇔ 009 | Pas de fonction                         |
|       |                         | 010 ⇔ 099 | Stroboscope, lent à rapide              |
|       |                         | 100 ⇔ 109 | Pas de fonction                         |
|       |                         | 110 ⇔ 179 | Stroboscope à pulsation, lent à rapide  |
|       |                         | 180 ⇔ 189 | Pas de fonction                         |
|       |                         | 190 ⇔ 255 | Stroboscope aléatoire, lent à rapide    |

**1 RGBA (4 canaux)**

| Canal | Fonction | Valeur    | Pourcentage/Configuration |
|-------|----------|-----------|---------------------------|
| 1     | Rouge    | 000 ⇔ 255 | 0–100%                    |
| 2     | Vert     | 000 ⇔ 255 | 0–100%                    |
| 3     | Bleu     | 000 ⇔ 255 | 0–100%                    |
| 4     | Ambre    | 000 ⇔ 255 | 0–100%                    |

**1 RGB EXT (8 canaux)**

| Canal | Fonction      | Valeur    | Pourcentage/Configuration |
|-------|---------------|-----------|---------------------------|
| 1     | Gradateur     | 000 ⇔ 255 | 0–100%                    |
| 2     | Gradateur fin | 000 ⇔ 255 | 0–100%                    |
| 3     | Rouge         | 000 ⇔ 255 | 0–100%                    |
| 4     | Vert          | 000 ⇔ 255 | 0–100%                    |
| 5     | Bleu          | 000 ⇔ 255 | 0–100%                    |

| Canal | Fonction                | Valeur    | Pourcentage/Configuration               |
|-------|-------------------------|-----------|---|
| 6     | Macros de couleur       | 000 ⇔ 010 | Pas de fonction                         |
|       |                         | 011 ⇔ 034 | R: 100% G: 0–100% B: 0% A: 0% W: 0%     |
|       |                         | 035 ⇔ 059 | R: 100–0% G: 100% B: 0% A: 0% W: 0%     |
|       |                         | 060 ⇔ 084 | R: 0% G: 100% B: 0–100% A: 0% W: 0%     |
|       |                         | 084 ⇔ 109 | R: 0% G: 100–0% B: 100% A: 0% W: 0%     |
|       |                         | 110 ⇔ 134 | R: 0–100% G: 0% B: 100% A: 0% W: 0%     |
|       |                         | 134 ⇔ 159 | R: 100% G: 0% B: 100–0% A: 0% W: 0%     |
|       |                         | 160 ⇔ 184 | R: 100% G: 0–100% B: 0–100% A: 0% W: 0% |
|       |                         | 184 ⇔ 209 | R: 100–0% G: 100–0% B: 100% A: 0% W: 0% |
|       |                         | 210 ⇔ 255 | R: 100% G: 100% B: 100% A: 100% W: 100% |
| 7     | Températures de couleur | 000 ⇔ 010 | Pas de fonction                         |
|       |                         | 011 ⇔ 028 | Blanc 1                                 |
|       |                         | 029 ⇔ 046 | Blanc 2                                 |
|       |                         | 047 ⇔ 064 | Blanc 3                                 |
|       |                         | 065 ⇔ 082 | Blanc 4                                 |
|       |                         | 083 ⇔ 100 | Blanc 5                                 |
|       |                         | 101 ⇔ 118 | Blanc 6                                 |
|       |                         | 119 ⇔ 136 | Blanc 7                                 |
|       |                         | 137 ⇔ 154 | Blanc 8                                 |
|       |                         | 155 ⇔ 172 | Blanc 9                                 |
|       |                         | 173 ⇔ 190 | Blanc 10                                |
|       |                         | 191 ⇔ 208 | Blanc 11                                |
|       |                         | 209 ⇔ 226 | Blanc 12                                |
|       |                         | 227 ⇔ 244 | Blanc 13                                |
|       |                         | 245 ⇔ 255 | Blanc 14                                |
| 8     | Stroboscope             | 000 ⇔ 009 | Pas de fonction                         |
|       |                         | 010 ⇔ 099 | Stroboscope, lent à rapide              |
|       |                         | 100 ⇔ 109 | Pas de fonction                         |
|       |                         | 110 ⇔ 179 | Stroboscope à pulsation, lent à rapide  |
|       |                         | 180 ⇔ 189 | Pas de fonction                         |
|       |                         | 190 ⇔ 255 | Stroboscope aléatoire, lent à rapide    |

1 RGB (3 canaux)

| Canal | Fonction | Valeur    | Pourcentage/Configuration |
|-------|----------|-----------|---------------------------|
| 1     | Rouge    | 000 ⇔ 255 | 0–100%                    |
| 2     | Vert     | 000 ⇔ 255 | 0–100%                    |
| 3     | Bleu     | 000 ⇔ 255 | 0–100%                    |

## Über diese Schnellanleitung

In der Schnellanleitung des COLORado Batten 72X finden Sie die wesentlichen Produktinformationen, wie etwa über die Montage, Menüoptionen und DMX-Werte des Geräts. Laden Sie für weiterführende Informationen unter [www.chauvetprofessional.com](http://www.chauvetprofessional.com) das Benutzerhandbuch herunter.

### Haftungsausschluss

Die in dieser Anleitung aufgeführten Informationen und Spezifikationen können ohne vorherige Ankündigung geändert werden.

### EINGESCHRÄNKTE GARANTIE

**ZUR REGISTRIERUNG FÜR GARANTIEANSPRÜCHE UND ZUR EINSICHT IN DIE VOLLSTÄNDIGEN GESCHÄFTSBEDINGUNGEN BESUCHEN SIE BITTE UNSERE WEBSITE.**

**Für Kunden in den USA und in Mexiko:** [www.chauvetlighting.com/warranty-registration](http://www.chauvetlighting.com/warranty-registration).

**Für Kunden im Vereinigten Königreich, in Irland, Belgien, den Niederlanden, Luxemburg, Frankreich und Deutschland:** [www.chauvetlighting.eu/warranty-registration](http://www.chauvetlighting.eu/warranty-registration).

Chauvet garantiert für die in der auf unserer Website veröffentlichten vollständigen eingeschränkten Garantie genannten Dauer und unter Vorbehalt der darin genannten Haftungsausschlüsse und -beschränkungen, dass dieses Produkt bei normalen Gebrauch frei von Material- und Verarbeitungsfehlern ist. Diese Garantie erstreckt sich nur auf den Erstkäufer des Produkts und ist nicht übertragbar. Zur Ausübung der unter dieser Garantie gewährten Rechte ist der Kaufbeleg in Form der Originalrechnung von einem autorisierten Händler vorzulegen, in der die Produktbezeichnung und das Kaufdatum vermerkt sein müssen. **ES BESTEHEN KEINE WEITEREN AUSDRÜCKLICHEN ODER STILLSCHWEIGENDEN GARANTIEN.** Diese Garantie gibt Ihnen besondere gesetzliche Rechte. Und Sie haben möglicherweise weitere Rechte, die von Land zu Land unterschiedlich sein können. Diese Garantie ist nur in den USA, im Vereinigten Königreich, in Irland, Belgien, den Niederlanden, Luxemburg, Frankreich, Deutschland und Mexiko gültig. Bezüglich der Garantiebestimmungen in anderen Ländern wenden Sie sich bitte an Ihren lokalen Händler.

### Sicherheitshinweise

- Dieses Gerät NICHT öffnen. Die eingebauten Komponenten sind für den Kunden wartungsfrei.
- Um unnötigen Verschleiß zu vermeiden und die Lebensdauer des Geräts zu verlängern, trennen Sie während längerer Perioden des Nichtgebrauchs das Gerät vom Stromnetz – entweder per Trennschalter oder durch Herausziehen des Steckers aus der Steckdose.
- NIEMALS in die Lichtquelle schauen, während das Gerät eingeschaltet ist.
- VORSICHT: Das Gehäuse dieses Produkts kann während des Betriebs heiß werden. Installieren Sie das Gerät an einem Ort mit ausreichender Belüftung und mit einem Abstand von mindestens 50 cm zu den angrenzenden Flächen.
- Belassen Sie KEINE entflammaren Materialien in einem Umkreis von 50 cm dieses Geräts, während es in Betrieb oder an der Stromversorgung angeschlossen ist.
- VORSICHT: Beim Transport des Geräts von einer Umgebung mit außergewöhnlichen Temperaturen in eine andere solche Umgebung (z. B. aus einem kalten Transporter in einen warm-feuchten Ballsaal) kann an der im Gerät enthaltenen Elektronik Wasser kondensieren. Um einen Defekt zu vermeiden, muss sich das Gerät erst in der neuen Umgebung akklimatisiert haben, bevor es an die Stromversorgung angeschlossen werden kann.
- Dieses Geräts eignet sich nicht für eine permanente Installation im Außenbereich an Orten mit extremen Umweltbedingungen. Dies beinhaltet insbesondere:
  - Exposition gegenüber Meeres-/salzhaltigen Umgebungen (innerhalb von 5 km eines salzhaltigen Gewässers).
  - Orte, an denen die normalen Niedrigst- oder Höchsttemperaturen außerhalb des im Handbuch angegebenen Temperaturbereichs liegen.
  - Orte, die überflutet oder zugeschnitten werden können.
  - Sonstige Bereiche, in denen das Produkt einer großen Strahlung oder ätzenden Substanzen ausgesetzt ist.
- VERWENDEN Sie bei Montage über Kopf immer ein Sicherheitsseil.
- Dieses Gerät darf NICHT in Wasser eingetaucht werden (IP65). Eine regelmäßige Verwendung dieses Geräts im Freien ist möglich.
- NIEMALS das Gerät in Betrieb nehmen, wenn Ihnen das Gehäuse, die Linsen oder das Kabel beschädigt erscheinen.
- Schließen Sie dieses Gerät NICHT an einen Dimmer oder Regelwiderstand an.
- Schließen Sie dieses Produkt NUR an einen mit der Erde verbundenen und geschützten Stromkreis an.
- Das Gerät NUR an den Hänge-/Befestigungsbügeln oder Griffen tragen.
- Bei ernsthaften Betriebsproblemen stoppen Sie umgehend die Verwendung des Geräts.
- Die maximal zulässige Umgebungstemperatur beträgt 45 °C. Nehmen Sie das Gerät nicht bei höheren Temperaturen in Betrieb.

### Kontakt

Kunden außerhalb der USA, GB, Irland, Benelux, Frankreich, Deutschland oder Mexiko wenden sich an ihren Lieferanten, um den Kundensupport in Anspruch zu nehmen oder ein Produkt zurückzuschicken. Kontaktinformationen finden Sie im [Contact Us](#) am Ende dieses QRG.

### Packungsinhalt

- COLORado Batten 72X mit Blendschutz
- Seetronic Powerkon IP65 Netzkabel
- Omega-Hängebügel
- Schnellanleitung

## Wechselstrom

Dieses Gerät verfügt über ein Vorschaltgerät, das automatisch die anliegende Spannung erkennt, sobald der Netzstecker in die Schukosteckdose gesteckt wird, und kann mit einer Eingangsspannung von 100~240 V AC, 50/60 Hz arbeiten.

### Serienschaltung der Geräte

Sie können bis zu 10 COLORado Batten 72X-Geräte bei 120 V AC, 17 Geräte bei 208 V AC, oder 19 Geräte bei 230 V AC in Serie schalten. Diese Anzahl niemals überschreiten! Stromkabel für die Serienschaltung können separat erworben werden.

### Wechselstromstecker

| Anschluss                | Draht (USA) | Draht (Europa) | Schraubenfarbe     |
|--------------------------|-------------|----------------|--------------------|
| Stromführender AC-Leiter | Schwarz     | Braun          | Gelb/Messingfarben |
| AC-Neutralleiter         | Weiß        | Blau           | Silber             |
| AC-Erdungsleiter         | Grün/Gelb   | Grün/Gelb      | Grün               |



**Um unnötigen Verschleiß zu vermeiden und die Lebensdauer des Geräts zu verlängern, trennen Sie während längerer Perioden des Nichtgebrauchs das Gerät vom Stromnetz – entweder per Trennschalter oder durch Herausziehen des Steckers aus der Steckdose.**

### DMX-Verbindung

Der COLORado Batten 72X kann mit einem DMX-Controller betrieben werden, wenn eine 5-polige DMX-Serienschaltung zum Einsatz kommt. Sie können sich eine Einführung in DMX unter [www.chauvetprofessional.com](http://www.chauvetprofessional.com) herunterladen.

### DMX-Anschluss

Der COLORado Batten 72X nutzt zur Steuerung seiner 18 Kontrollpersönlichkeiten reichen von 3-Kanal bis 43-Kanal in 1-Zellen-Modi und 3-Zellen-Modi eine 5-polige DMX-Datenverbindung:

|          | RGB | RGB EXT | RGBA | RGBA EXT | RGBAW | RGBAW EXT | RGBAW FIN | RGBAW FUL | HSIC |
|----------|-----|---------|------|----------|-------|-----------|-----------|-----------|------|
| 1-Zellen | 3   | 8       | 4    | 9        | 5     | 10        | 10        | 16        | 8    |
| 3-Zellen | 9   | 21      | 12   | 24       | 15    | 27        | 30        | 43        | 22   |

Informationen zum Anschließen und Konfigurieren des Geräts für einen DMX-Betrieb finden Sie in der Bedienungsanleitung.

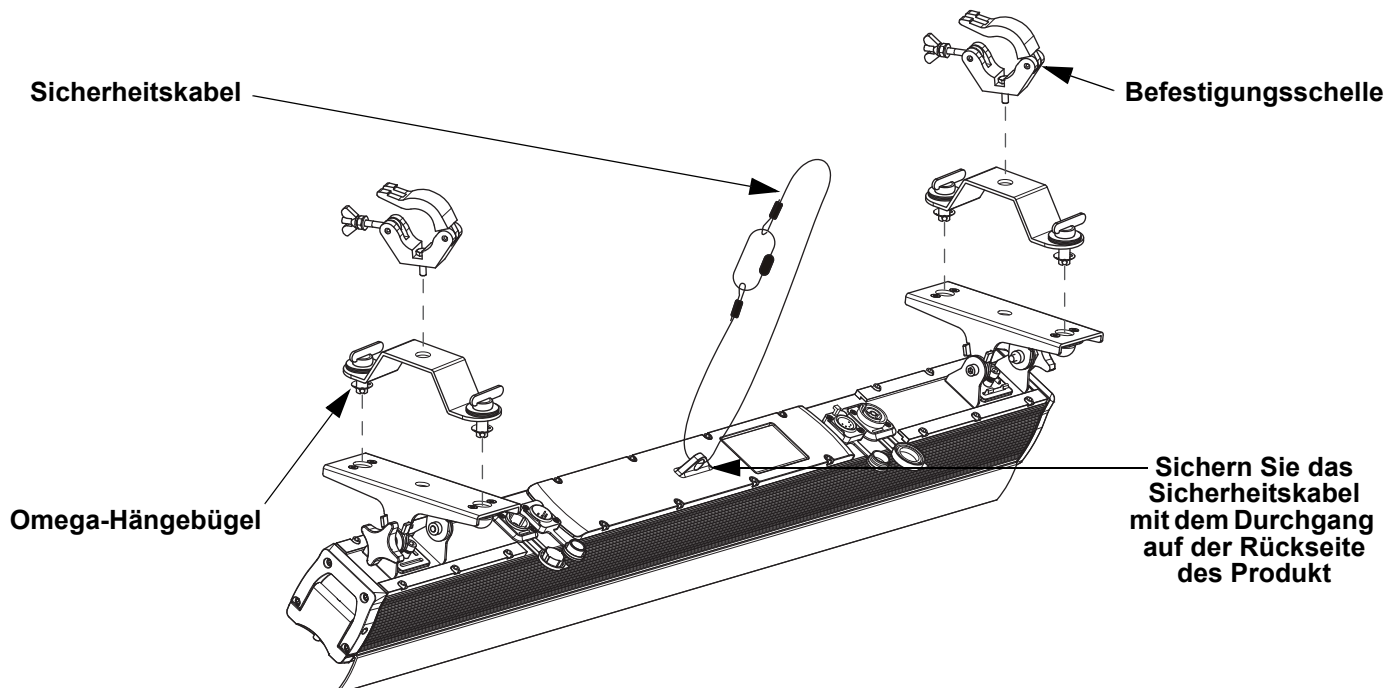
### RDM (Remote Device Management)

Remote Device Management bzw. RDM ist ein Standard, mit dem DMX-aktivierte Geräte bidirektional entlang bestehender DMX-Kabel kommunizieren können. Lesen Sie die Bedienungsanleitung des DMX-Controllers oder wenden Sie sich an den Hersteller, da nicht alle DMX-Controller über diese Funktion verfügt. Der COLORado Batten 72X unterstützt das RDM-Protokoll, das ein Feedback zur Vornahme von Änderungen der Menüoptionen erlaubt. Laden Sie für weiterführende Informationen unter [www.chauvetprofessional.com](http://www.chauvetprofessional.com) das Benutzerhandbuch herunter.

### Montage

Lesen Sie vor der Montage dieses Geräts die [Sicherheitshinweise](#) durch. Mindestens zwei Befestigungspunkt pro Gerät verwenden. Stellen Sie sicher, dass die Befestigungsklemmen dafür ausgelegt sind, das Produktgewicht tragen zu können. Informationen zu unserer CHAUVET-Produktlinie für Befestigungsklemmen finden Sie unter <http://trusst.com/productcategory/truss-clamps/>.

### Montageansicht





**Beschreibung des Bedienfeldes**

| Taste   | Funktion  |
|---------|---|
| <MENU>  | Damit verlassen Sie das aktuelle Menü oder die Funktion.  |
| <ENTER> | Damit wird das aktuell angezeigte Menü aktiviert oder der aktuell ausgewählte Wert einer Funktion eingestellt.              |
| <UP>    | Damit navigieren Sie sich durch die Menüpunkte nach oben oder erhöhen den numerischen Wert der entsprechenden Funktion.     |
| <DOWN>  | Damit navigieren Sie sich durch die Menüpunkte nach unten oder verringern den numerischen Wert der entsprechenden Funktion. |

**Menüstruktur**

| Hauptebene            | Programmirebenen   | Beschreibung  |
|-----------------------|--------------------|---|
| <b>Start Address</b>  | <b>1–510*</b>      | Wählt die DMX-Adresse aus (*der höchste Kanal ist auf die gewählte Eigenschaft beschränkt)                                      |
|                       | <b>1 RGB</b>       | 3-Kanal: RGB  |
| <b>Personality</b>    | <b>1 RGB EXT</b>   | 8-Kanal: 16-Bit Dimmer, RGB, Farbmakro, Farbtemperatur, Stroboskopeffekt  |
|                       | <b>1 RGBA</b>      | 4-Kanal: RGBA   |
|                       | <b>1 RGBA EXT</b>  | 9-Kanal: 16-Bit Dimmer, RGBA, Farbmakro, Farbtemperatur, Stroboskopeffekt   |
|                       | <b>1 RGBAW</b>     | 5-Kanal: RGBAW  |
|                       | <b>1 RGBAW EXT</b> | 10-Kanal: 16-Bit Dimmer, RGBAW, Farbmakro, Farbtemperatur, Stroboskopeffekt   |
|                       | <b>1 RGBAW FIN</b> | 10-Kanal: 16-Bit RGBAW  |
|                       | <b>1 RGBAW FUL</b> | 16-Kanal: 16-Bit Dimmer, 16-Bit RGBAW, Farbmakro, Farbtemperatur, Stroboskopeffekt, Dimmer-Geschwindigkeit                      |
|                       | <b>1 HSIC</b>      | 8-Kanal: Dimmer, 16-Bit Farbton, Farbsättigung, Stroboskopeffekt, Farbmakro, Farbtemperatur, Dimmer-Geschwindigkeit             |
|                       | <b>3 RGB</b>       | 9-Kanal (3-Zellen): RGB   |
|                       | <b>3 RGB EXT</b>   | 21-Kanal (3-Zellen): 16-Bit Dimmer, RGB, Farbmakro, Farbtemperatur, Stroboskopeffekt  |
|                       | <b>3 RGBA</b>      | 12-Kanal (3-Zellen): RGBA   |
|                       | <b>3 RGBA EXT</b>  | 24-Kanal (3-Zellen): 16-Bit Dimmer, RGBA, Farbmakro, Farbtemperatur, Stroboskopeffekt   |
|                       | <b>3 RGBAW</b>     | 15-Kanal (3-Zellen): RGBAW  |
|                       | <b>3 RGBAW EXT</b> | 27-Kanal (3-Zellen): 16-Bit Dimmer, RGBAW, Farbmakro, Farbtemperatur, Stroboskopeffekt  |
|                       | <b>3 RGBAW FIN</b> | 30-Kanal (3-Zellen): 16-Bit RGBAW   |
|                       | <b>3 RGBAW FUL</b> | 43-Kanal (3-Zellen): 16-Bit Dimmer, 16-Bit RGBAW, Farbmakro, Farbtemperatur, Stroboskopeffekt, Dimmer-Geschwindigkeit           |
|                       | <b>3 HSIC</b>      | 22-Kanal (3-Zellen): Dimmer, 16-Bit Farbton, Farbsättigung, Stroboskopeffekt, Farbmakro, Farbtemperatur, Dimmer-Geschwindigkeit |
| <b>Output Setting</b> | <b>Power Mode</b>  | Meidet übermäßig hohe Temperaturen durch Anpassung des Intensitätsausgang   |
|                       | <b>Steady Mode</b> | Verwendet einen niedrigeren Intensitätsausgang mit konstanter Rate, um übermäßig hohe Temperaturen zu vermeiden                 |
|                       | <b>Legacy Mode</b> | Stimmt überein die Intensitätsausgang des COLORado Batten 72 Tour   |

| Hauptebene    | Programmirebenen            |                    |   | Beschreibung  |   |
|---------------|-----------------------------|--------------------|---|---|---|
| Static Colors | Preset Colors               | Color 1–14         | Dimmer 0–100%   | Voreingestellte statische Farben  |   |
|               | CCT Temper                  | White 1–14         |   | Voreingestellte Farbtemperaturen  |   |
|               | RGBAW                       | Red                | Red 0–255   | Kombiniert rote, grüne, blaue, bernsteinfarbene und weiße Farben zu einer benutzerdefinierten Farbe |   |
|               |                             | Green              | Green 0–255   |   |   |
|               |                             | Blue               | Blue 0–255  |   |   |
| Amber         |                             | Amber 0–255        |   |   |   |
| White         | White 0–255                 |                    |   |   |   |
| Auto Programs | Run                         | AUTO.1–10          | Speed 0–100   | Wählt das Auto-Programm und die Programm-Geschwindigkeit aus  |   |
|               |                             | Program 1–10       |   |   |   |
|               | Edit                        | Program 1–10       | SCENE-01–30   | Red 0–255   | Wählt ein Benutzer-Programm und bearbeitet es |
|               |                             |                    |   | Green 0–255   |   |
|               |                             |                    |   | Blue 0–255  |   |
| Amber 0–255   |                             |                    |   |   |   |
| White 0–255   |                             |                    |   |   |   |
| Master/Slave  | Master                      |                    |   | DMX-Modus (Master)  |   |
|               | Slave                       |                    |   | Slave-Modus   |   |
| Dimmer Mode   | OFF                         |                    |   | Linear dimmer   |   |
|               | DIM1–4                      |                    |   | Dimmungskurven <b>DIM1</b> (schnell) nach <b>DIM4</b> (langsam)                                     |   |
| LED Frequency | 600Hz                       |                    |   | Stellt die PWM-Frequenz ein   |   |
|               | 1200Hz                      |                    |   |   |   |
|               | 2000Hz                      |                    |   |   |   |
|               | 2400Hz                      |                    |   |   |   |
|               | 4000Hz                      |                    |   |   |   |
|               | 25000Hz                     |                    |   |   |   |
| Cell Order    | 1 – 3                       |                    |   | Wählt die Reihenfolge der Zellen  |   |
|               | 3 – 1                       |                    |   |   |   |
| Setting       | ****<br>(Passwort eingeben) | DMX Error/<br>Loss | Hold Last   | Geht bei Verlust der DMX-Steuerung mit dem letzten Befehl weiter                                    |   |
|               |                             |                    | Blackout  | Verdunkelung bei Verlust von DMX aus  |   |
|               | Disp<br>TimeOut             | Disp<br>Passcode   | On  | Hintergrundbeleuchtung der Anzeige immer an   |   |
|               |                             |                    | 10s   | Damit wird die Anzeige nach 10 Sekunden Inaktivität ausgeschaltet                                   |   |
|               |                             |                    | 20s   | Damit wird die Anzeige nach 20 Sekunden Inaktivität ausgeschaltet                                   |   |
|               | Disp<br>Passcode            | Disp<br>Passcode   | 30s   | Damit wird die Anzeige nach 30 Sekunden Inaktivität ausgeschaltet                                   |   |
| On            |                             |                    | Damit wird die Anzeige gesperrt (Passwort lautet <UP>, <DOWN>, <UP>, <DOWN>, <ENTER>) |   |   |
| Information   | Fixture Hours               |                    | ---_Hours   | Zeigt an, wie lange das Gerät eingeschaltet gewesen ist   |   |
|               | Firmware Vers               |                    | V_--  | Zeigt die aktuelle Firmware-Version an  |   |
|               | RDM                         | UID                |   | -----   | Zeigt die Geräte-UID an                       |
|               |                             | LABEL              | Batten 72X  |   | Zeigt den Produktnamen für RDM an             |
| Factory Reset | No                          |                    |   | Damit stellen Sie das Gerät auf die Werkseinstellungen zurück                                       |   |
|               | Yes                         |                    |   |   |   |

**3-Zellen-DMX-Werte**
**3 HSIC (22 Kanäle)**

| Kanal     | Funktion                                | Wert      | Prozent/Einstellung                      |
|-----------|---|-----------|--|
| 1         | Dimmer 1                                | 000 ⇔ 255 | 0–100%                                   |
| 2         | Farbton 1                               | 000 ⇔ 255 | 0–100%                                   |
| 3         | Feine Farbton 1                         | 000 ⇔ 255 | 0–100%                                   |
| 4         | Farbsättigung 1                         | 000 ⇔ 255 | 0–100%                                   |
| 5         | Stroboskop 1                            | 000 ⇔ 009 | Keine Funktion                           |
|           |   | 010 ⇔ 099 | Stroboskop, von langsam nach schnell     |
|           |   | 100 ⇔ 109 | Keine Funktion                           |
|           |   | 110 ⇔ 179 | Pulse-Stroboskop, langsam nach schnell   |
|           |   | 180 ⇔ 189 | Keine Funktion                           |
|           |   | 190 ⇔ 255 | Zufalls-Stroboskop, langsam nach schnell |
| 6         | Farbmakros 1                            | 000 ⇔ 010 | Keine Funktion                           |
|           |   | 011 ⇔ 034 | R: 100% G: 0–100% B: 0% A: 0% W: 0%      |
|           |   | 035 ⇔ 059 | R: 100–0% G: 100% B: 0% A: 0% W: 0%      |
|           |   | 060 ⇔ 084 | R: 0% G: 100% B: 0–100% A: 0% W: 0%      |
|           |   | 084 ⇔ 109 | R: 0% G: 100–0% B: 100% A: 0% W: 0%      |
|           |   | 110 ⇔ 134 | R: 0–100% G: 0% B: 100% A: 0% W: 0%      |
|           |   | 134 ⇔ 159 | R: 100% G: 0% B: 100–0% A: 0% W: 0%      |
|           |   | 160 ⇔ 184 | R: 100% G: 0–100% B: 0–100% A: 0% W: 0%  |
|           |   | 184 ⇔ 209 | R: 100–0% G: 100–0% B: 100% A: 0% W: 0%  |
| 210 ⇔ 255 | R: 100% G: 100% B: 100% A: 100% W: 100% |           |  |
| 7         | Farbtemperaturen 1                      | 000 ⇔ 010 | Keine Funktion                           |
|           |   | 011 ⇔ 028 | Weiß                                     |
|           |   | 029 ⇔ 046 | Weiß 2                                   |
|           |   | 047 ⇔ 064 | Weiß 3                                   |
|           |   | 065 ⇔ 082 | Weiß 4                                   |
|           |   | 083 ⇔ 100 | Weiß 5                                   |
|           |   | 101 ⇔ 118 | Weiß 6                                   |
|           |   | 119 ⇔ 136 | Weiß 7                                   |
|           |   | 137 ⇔ 154 | Weiß 8                                   |
|           |   | 155 ⇔ 172 | Weiß 9                                   |
|           |   | 173 ⇔ 190 | Weiß 10                                  |
|           |   | 191 ⇔ 208 | Weiß 11                                  |
|           |   | 209 ⇔ 226 | Weiß 12                                  |
|           |   | 227 ⇔ 244 | Weiß 13                                  |
| 245 ⇔ 255 | Weiß 14                                 |           |  |
| 8         | Dimmer 2                                | 000 ⇔ 255 | 0–100%                                   |
| 9         | Farbton 2                               | 000 ⇔ 255 | 0–100%                                   |
| 10        | Feine Farbton 2                         | 000 ⇔ 255 | 0–100%                                   |
| 11        | Farbsättigung 2                         | 000 ⇔ 255 | 0–100%                                   |
| 12        | Stroboskop 2                            | 000 ⇔ 009 | Keine Funktion                           |
|           |   | 010 ⇔ 099 | Stroboskop, von langsam nach schnell     |
|           |   | 100 ⇔ 109 | Keine Funktion                           |
|           |   | 110 ⇔ 179 | Pulse-Stroboskop, langsam nach schnell   |
|           |   | 180 ⇔ 189 | Keine Funktion                           |
|           |   | 190 ⇔ 255 | Zufalls-Stroboskop, langsam nach schnell |

| Kanal | Funktion           | Wert      | Prozent/Einstellung                      |
|-------|--------------------|-----------|--|
| 13    | Farbmakros 2       | 000 ⇄ 010 | Keine Funktion                           |
|       |                    | 011 ⇄ 034 | R: 100% G: 0–100% B: 0% A: 0% W: 0%      |
|       |                    | 035 ⇄ 059 | R: 100–0% G: 100% B: 0% A: 0% W: 0%      |
|       |                    | 060 ⇄ 084 | R: 0% G: 100% B: 0–100% A: 0% W: 0%      |
|       |                    | 084 ⇄ 109 | R: 0% G: 100–0% B: 100% A: 0% W: 0%      |
|       |                    | 110 ⇄ 134 | R: 0–100% G: 0% B: 100% A: 0% W: 0%      |
|       |                    | 134 ⇄ 159 | R: 100% G: 0% B: 100–0% A: 0% W: 0%      |
|       |                    | 160 ⇄ 184 | R: 100% G: 0–100% B: 0–100% A: 0% W: 0%  |
|       |                    | 184 ⇄ 209 | R: 100–0% G: 100–0% B: 100% A: 0% W: 0%  |
|       |                    | 210 ⇄ 255 | R: 100% G: 100% B: 100% A: 100% W: 100%  |
| 14    | Farbtemperaturen 2 | 000 ⇄ 010 | Keine Funktion                           |
|       |                    | 011 ⇄ 028 | Weiß                                     |
|       |                    | 029 ⇄ 046 | Weiß 2                                   |
|       |                    | 047 ⇄ 064 | Weiß 3                                   |
|       |                    | 065 ⇄ 082 | Weiß 4                                   |
|       |                    | 083 ⇄ 100 | Weiß 5                                   |
|       |                    | 101 ⇄ 118 | Weiß 6                                   |
|       |                    | 119 ⇄ 136 | Weiß 7                                   |
|       |                    | 137 ⇄ 154 | Weiß 8                                   |
|       |                    | 155 ⇄ 172 | Weiß 9                                   |
|       |                    | 173 ⇄ 190 | Weiß 10                                  |
|       |                    | 191 ⇄ 208 | Weiß 11                                  |
|       |                    | 209 ⇄ 226 | Weiß 12                                  |
|       |                    | 227 ⇄ 244 | Weiß 13                                  |
|       |                    | 245 ⇄ 255 | Weiß 14                                  |
| 15    | Dimmer 3           | 000 ⇄ 255 | 0–100%                                   |
| 16    | Farbton 3          | 000 ⇄ 255 | 0–100%                                   |
| 17    | Feine Farbton 3    | 000 ⇄ 255 | 0–100%                                   |
| 18    | Farbsättigung 3    | 000 ⇄ 255 | 0–100%                                   |
| 19    | Stroboskop 3       | 000 ⇄ 009 | Keine Funktion                           |
|       |                    | 010 ⇄ 099 | Stroboskop, von langsam nach schnell     |
|       |                    | 100 ⇄ 109 | Keine Funktion                           |
|       |                    | 110 ⇄ 179 | Pulse-Stroboskop, langsam nach schnell   |
|       |                    | 180 ⇄ 189 | Keine Funktion                           |
|       |                    | 190 ⇄ 255 | Zufalls-Stroboskop, langsam nach schnell |
| 20    | Farbmakros 3       | 000 ⇄ 010 | Keine Funktion                           |
|       |                    | 011 ⇄ 034 | R: 100% G: 0–100% B: 0% A: 0% W: 0%      |
|       |                    | 035 ⇄ 059 | R: 100–0% G: 100% B: 0% A: 0% W: 0%      |
|       |                    | 060 ⇄ 084 | R: 0% G: 100% B: 0–100% A: 0% W: 0%      |
|       |                    | 084 ⇄ 109 | R: 0% G: 100–0% B: 100% A: 0% W: 0%      |
|       |                    | 110 ⇄ 134 | R: 0–100% G: 0% B: 100% A: 0% W: 0%      |
|       |                    | 134 ⇄ 159 | R: 100% G: 0% B: 100–0% A: 0% W: 0%      |
|       |                    | 160 ⇄ 184 | R: 100% G: 0–100% B: 0–100% A: 0% W: 0%  |
|       |                    | 184 ⇄ 209 | R: 100–0% G: 100–0% B: 100% A: 0% W: 0%  |
|       |                    | 210 ⇄ 255 | R: 100% G: 100% B: 100% A: 100% W: 100%  |

| Kanal     | Funktion              | Wert      | Prozent/Einstellung                           |
|-----------|-----------------------|-----------|---|
| 21        | Farbtemperaturen 3    | 000 ⇔ 010 | Keine Funktion                                |
|           |                       | 011 ⇔ 028 | Weiß  |
|           |                       | 029 ⇔ 046 | Weiß 2  |
|           |                       | 047 ⇔ 064 | Weiß 3  |
|           |                       | 065 ⇔ 082 | Weiß 4  |
|           |                       | 083 ⇔ 100 | Weiß 5  |
|           |                       | 101 ⇔ 118 | Weiß 6  |
|           |                       | 119 ⇔ 136 | Weiß 7  |
|           |                       | 137 ⇔ 154 | Weiß 8  |
|           |                       | 155 ⇔ 172 | Weiß 9  |
|           |                       | 173 ⇔ 190 | Weiß 10                                       |
|           |                       | 191 ⇔ 208 | Weiß 11                                       |
|           |                       | 209 ⇔ 226 | Weiß 12                                       |
|           |                       | 227 ⇔ 244 | Weiß 13                                       |
| 245 ⇔ 255 | Weiß 14               |           |   |
| 22        | Dimmergeschwindigkeit | 000 ⇔ 009 | Dimmergeschwindigkeit von Anzeige eingestellt |
|           |                       | 010 ⇔ 029 | Dimmer-Geschwindigkeits-Modus aus             |
|           |                       | 030 ⇔ 069 | Dimmer-Geschwindigkeits-Modus 1 (schnellste)  |
|           |                       | 070 ⇔ 129 | Dimmer-Geschwindigkeits-Modus 2               |
|           |                       | 130 ⇔ 189 | Dimmer-Geschwindigkeits-Modus 3               |
|           |                       | 190 ⇔ 255 | Dimmer-Geschwindigkeits-Modus 4 (langsamste)  |

### 3 RGBAW FUL (43 Kanäle)

| Kanal     | Funktion                                | Wert      | Prozent/Einstellung                     |
|-----------|---|-----------|---|
| 1         | Dimmer                                  | 000 ⇔ 255 | 0–100%                                  |
| 2         | Feine Dimmer                            | 000 ⇔ 255 | 0–100%                                  |
| 3         | Rot 1                                   | 000 ⇔ 255 | 0–100%                                  |
| 4         | Feine Rot 1                             | 000 ⇔ 255 | 0–100%                                  |
| 5         | Grün 1                                  | 000 ⇔ 255 | 0–100%                                  |
| 6         | Feine Grün 1                            | 000 ⇔ 255 | 0–100%                                  |
| 7         | Blau 1                                  | 000 ⇔ 255 | 0–100%                                  |
| 8         | Feine Blau 1                            | 000 ⇔ 255 | 0–100%                                  |
| 9         | Bernsteinfarben 1                       | 000 ⇔ 255 | 0–100%                                  |
| 10        | Feine Bernsteinfarben 1                 | 000 ⇔ 255 | 0–100%                                  |
| 11        | Weiß 1                                  | 000 ⇔ 255 | 0–100%                                  |
| 12        | Feine Weiß 1                            | 000 ⇔ 255 | 0–100%                                  |
| 13        | Farbmakros 1                            | 000 ⇔ 010 | Keine Funktion                          |
|           |   | 011 ⇔ 034 | R: 100% G: 0–100% B: 0% A: 0% W: 0%     |
|           |   | 035 ⇔ 059 | R: 100–0% G: 100% B: 0% A: 0% W: 0%     |
|           |   | 060 ⇔ 084 | R: 0% G: 100% B: 0–100% A: 0% W: 0%     |
|           |   | 084 ⇔ 109 | R: 0% G: 100–0% B: 100% A: 0% W: 0%     |
|           |   | 110 ⇔ 134 | R: 0–100% G: 0% B: 100% A: 0% W: 0%     |
|           |   | 134 ⇔ 159 | R: 100% G: 0% B: 100–0% A: 0% W: 0%     |
|           |   | 160 ⇔ 184 | R: 100% G: 0–100% B: 0–100% A: 0% W: 0% |
| 184 ⇔ 209 | R: 100–0% G: 100–0% B: 100% A: 0% W: 0% |           |   |
| 210 ⇔ 255 | R: 100% G: 100% B: 100% A: 100% W: 100% |           |   |

| Kanal     | Funktion                | Wert      | Prozent/Einstellung                                 |
|-----------|-------------------------|-----------|---|
| 14        | Farbtemperaturen 1      | 000 ⇄ 010 | Keine Funktion                                      |
|           |                         | 011 ⇄ 028 | Weiß  |
|           |                         | 029 ⇄ 046 | Weiß 2  |
|           |                         | 047 ⇄ 064 | Weiß 3  |
|           |                         | 065 ⇄ 082 | Weiß 4  |
|           |                         | 083 ⇄ 100 | Weiß 5  |
|           |                         | 101 ⇄ 118 | Weiß 6  |
|           |                         | 119 ⇄ 136 | Weiß 7  |
|           |                         | 137 ⇄ 154 | Weiß 8  |
|           |                         | 155 ⇄ 172 | Weiß 9  |
|           |                         | 173 ⇄ 190 | Weiß 10   |
|           |                         | 191 ⇄ 208 | Weiß 11   |
|           |                         | 209 ⇄ 226 | Weiß 12   |
|           |                         | 227 ⇄ 244 | Weiß 13   |
| 245 ⇄ 255 | Weiß 14                 |           |   |
| 15        | Stroboskop 1            | 000 ⇄ 009 | Keine Funktion                                      |
|           |                         | 010 ⇄ 099 | Stroboskop, von langsam nach schnell                |
|           |                         | 100 ⇄ 109 | Keine Funktion                                      |
|           |                         | 110 ⇄ 179 | Pulse-Stroboskop, langsam nach schnell              |
|           |                         | 180 ⇄ 189 | Keine Funktion                                      |
|           |                         | 190 ⇄ 255 | Zufalls-Stroboskop, langsam nach schnell            |
| 16        | Rot 2                   | 000 ⇄ 255 | 0–100%  |
| 17        | Feine Rot 2             | 000 ⇄ 255 | 0–100%  |
| 18        | Grün 2                  | 000 ⇄ 255 | 0–100%  |
| 19        | Feine Grün 2            | 000 ⇄ 255 | 0–100%  |
| 20        | Blau 2                  | 000 ⇄ 255 | 0–100%  |
| 21        | Feine Blau 2            | 000 ⇄ 255 | 0–100%  |
| 22        | Bernsteinfarben 2       | 000 ⇄ 255 | 0–100%  |
| 23        | Feine Bernsteinfarben 2 | 000 ⇄ 255 | 0–100%  |
| 24        | Weiß 2                  | 000 ⇄ 255 | 0–100%  |
| 25        | Feine Weiß 2            | 000 ⇄ 255 | 0–100%  |
| 26        | Farbmakros 2            | 000 ⇄ 010 | Keine Funktion                                      |
|           |                         | 011 ⇄ 034 | R: 100%    G: 0–100%    B: 0%    A: 0%    W: 0%     |
|           |                         | 035 ⇄ 059 | R: 100–0%    G: 100%    B: 0%    A: 0%    W: 0%     |
|           |                         | 060 ⇄ 084 | R: 0%    G: 100%    B: 0–100%    A: 0%    W: 0%     |
|           |                         | 084 ⇄ 109 | R: 0%    G: 100–0%    B: 100%    A: 0%    W: 0%     |
|           |                         | 110 ⇄ 134 | R: 0–100%    G: 0%    B: 100%    A: 0%    W: 0%     |
|           |                         | 134 ⇄ 159 | R: 100%    G: 0%    B: 100–0%    A: 0%    W: 0%     |
|           |                         | 160 ⇄ 184 | R: 100%    G: 0–100%    B: 0–100%    A: 0%    W: 0% |
|           |                         | 184 ⇄ 209 | R: 100–0%    G: 100–0%    B: 100%    A: 0%    W: 0% |
|           |                         | 210 ⇄ 255 | R: 100%    G: 100%    B: 100%    A: 100%    W: 100% |

| Kanal     | Funktion                | Wert      | Prozent/Einstellung                                 |
|-----------|-------------------------|-----------|---|
| 27        | Farbtemperaturen 2      | 000 ⇔ 010 | Keine Funktion                                      |
|           |                         | 011 ⇔ 028 | Weiß  |
|           |                         | 029 ⇔ 046 | Weiß 2  |
|           |                         | 047 ⇔ 064 | Weiß 3  |
|           |                         | 065 ⇔ 082 | Weiß 4  |
|           |                         | 083 ⇔ 100 | Weiß 5  |
|           |                         | 101 ⇔ 118 | Weiß 6  |
|           |                         | 119 ⇔ 136 | Weiß 7  |
|           |                         | 137 ⇔ 154 | Weiß 8  |
|           |                         | 155 ⇔ 172 | Weiß 9  |
|           |                         | 173 ⇔ 190 | Weiß 10   |
|           |                         | 191 ⇔ 208 | Weiß 11   |
|           |                         | 209 ⇔ 226 | Weiß 12   |
|           |                         | 227 ⇔ 244 | Weiß 13   |
| 245 ⇔ 255 | Weiß 14                 |           |   |
| 28        | Stroboskop 2            | 000 ⇔ 009 | Keine Funktion                                      |
|           |                         | 010 ⇔ 099 | Stroboskop, von langsam nach schnell                |
|           |                         | 100 ⇔ 109 | Keine Funktion                                      |
|           |                         | 110 ⇔ 179 | Pulse-Stroboskop, langsam nach schnell              |
|           |                         | 180 ⇔ 189 | Keine Funktion                                      |
|           |                         | 190 ⇔ 255 | Zufalls-Stroboskop, langsam nach schnell            |
| 29        | Rot 3                   | 000 ⇔ 255 | 0–100%  |
| 30        | Feine Rot 3             | 000 ⇔ 255 | 0–100%  |
| 31        | Grün 3                  | 000 ⇔ 255 | 0–100%  |
| 32        | Feine Grün 3            | 000 ⇔ 255 | 0–100%  |
| 33        | Blau 3                  | 000 ⇔ 255 | 0–100%  |
| 34        | Feine Blau 3            | 000 ⇔ 255 | 0–100%  |
| 35        | Bernsteinfarben 3       | 000 ⇔ 255 | 0–100%  |
| 36        | Feine Bernsteinfarben 3 | 000 ⇔ 255 | 0–100%  |
| 37        | Weiß 3                  | 000 ⇔ 255 | 0–100%  |
| 38        | Feine Weiß 3            | 000 ⇔ 255 | 0–100%  |
| 39        | Farbmakros 3            | 000 ⇔ 010 | Keine Funktion                                      |
|           |                         | 011 ⇔ 034 | R: 100%    G: 0–100%    B: 0%    A: 0%    W: 0%     |
|           |                         | 035 ⇔ 059 | R: 100–0%    G: 100%    B: 0%    A: 0%    W: 0%     |
|           |                         | 060 ⇔ 084 | R: 0%    G: 100%    B: 0–100%    A: 0%    W: 0%     |
|           |                         | 084 ⇔ 109 | R: 0%    G: 100–0%    B: 100%    A: 0%    W: 0%     |
|           |                         | 110 ⇔ 134 | R: 0–100%    G: 0%    B: 100%    A: 0%    W: 0%     |
|           |                         | 134 ⇔ 159 | R: 100%    G: 0%    B: 100–0%    A: 0%    W: 0%     |
|           |                         | 160 ⇔ 184 | R: 100%    G: 0–100%    B: 0–100%    A: 0%    W: 0% |
|           |                         | 184 ⇔ 209 | R: 100–0%    G: 100–0%    B: 100%    A: 0%    W: 0% |
|           |                         | 210 ⇔ 255 | R: 100%    G: 100%    B: 100%    A: 100%    W: 100% |

| Kanal | Funktion              | Wert      | Prozent/Einstellung                           |
|-------|-----------------------|-----------|---|
| 40    | Farbtemperaturen 3    | 000 ⇔ 010 | Keine Funktion                                |
|       |                       | 011 ⇔ 028 | Weiß  |
|       |                       | 029 ⇔ 046 | Weiß 2  |
|       |                       | 047 ⇔ 064 | Weiß 3  |
|       |                       | 065 ⇔ 082 | Weiß 4  |
|       |                       | 083 ⇔ 100 | Weiß 5  |
|       |                       | 101 ⇔ 118 | Weiß 6  |
|       |                       | 119 ⇔ 136 | Weiß 7  |
|       |                       | 137 ⇔ 154 | Weiß 8  |
|       |                       | 155 ⇔ 172 | Weiß 9  |
|       |                       | 173 ⇔ 190 | Weiß 10                                       |
|       |                       | 191 ⇔ 208 | Weiß 11                                       |
|       |                       | 209 ⇔ 226 | Weiß 12                                       |
|       |                       | 227 ⇔ 244 | Weiß 13                                       |
|       |                       | 245 ⇔ 255 | Weiß 14                                       |
| 41    | Stroboskop 3          | 000 ⇔ 009 | Keine Funktion                                |
|       |                       | 010 ⇔ 099 | Stroboskop, von langsam nach schnell          |
|       |                       | 100 ⇔ 109 | Keine Funktion                                |
|       |                       | 110 ⇔ 179 | Pulse-Stroboskop, langsam nach schnell        |
|       |                       | 180 ⇔ 189 | Keine Funktion                                |
|       |                       | 190 ⇔ 255 | Zufalls-Stroboskop, langsam nach schnell      |
| 42    | Stroboskop alle       | 000 ⇔ 009 | Keine Funktion                                |
|       |                       | 010 ⇔ 099 | Stroboskop, von langsam nach schnell          |
|       |                       | 100 ⇔ 109 | Keine Funktion                                |
|       |                       | 110 ⇔ 179 | Pulse-Stroboskop, langsam nach schnell        |
|       |                       | 180 ⇔ 189 | Keine Funktion                                |
|       |                       | 190 ⇔ 255 | Zufalls-Stroboskop, langsam nach schnell      |
| 43    | Dimmergeschwindigkeit | 000 ⇔ 009 | Dimmergeschwindigkeit von Anzeige eingestellt |
|       |                       | 010 ⇔ 029 | Dimmer-Geschwindigkeits-Modus aus             |
|       |                       | 030 ⇔ 069 | Dimmer-Geschwindigkeits-Modus 1 (schnellste)  |
|       |                       | 070 ⇔ 129 | Dimmer-Geschwindigkeits-Modus 2               |
|       |                       | 130 ⇔ 189 | Dimmer-Geschwindigkeits-Modus 3               |
|       |                       | 190 ⇔ 255 | Dimmer-Geschwindigkeits-Modus 4 (langsamste)  |

### 3 RGBAW FIN (30 Kanäle)

| Kanal | Funktion                | Wert      | Prozent/Einstellung |
|-------|-------------------------|-----------|---------------------|
| 1     | Rot 1                   | 000 ⇔ 255 | 0–100%              |
| 2     | Feine Rot 1             | 000 ⇔ 255 | 0–100%              |
| 3     | Grün 1                  | 000 ⇔ 255 | 0–100%              |
| 4     | Feine Grün 1            | 000 ⇔ 255 | 0–100%              |
| 5     | Blau 1                  | 000 ⇔ 255 | 0–100%              |
| 6     | Feine Blau 1            | 000 ⇔ 255 | 0–100%              |
| 7     | Bernsteinfarben 1       | 000 ⇔ 255 | 0–100%              |
| 8     | Feine Bernsteinfarben 1 | 000 ⇔ 255 | 0–100%              |
| 9     | Weiß 1                  | 000 ⇔ 255 | 0–100%              |
| 10    | Feine Weiß 1            | 000 ⇔ 255 | 0–100%              |
| 11    | Rot 2                   | 000 ⇔ 255 | 0–100%              |
| 12    | Feine Rot 2             | 000 ⇔ 255 | 0–100%              |
| 13    | Grün 2                  | 000 ⇔ 255 | 0–100%              |
| 14    | Feine Grün 2            | 000 ⇔ 255 | 0–100%              |
| 15    | Blau 2                  | 000 ⇔ 255 | 0–100%              |
| 16    | Feine Blau 2            | 000 ⇔ 255 | 0–100%              |
| 17    | Bernsteinfarben 2       | 000 ⇔ 255 | 0–100%              |
| 18    | Feine Bernsteinfarben 2 | 000 ⇔ 255 | 0–100%              |
| 19    | Weiß 2                  | 000 ⇔ 255 | 0–100%              |



| Kanal | Funktion                | Wert      | Prozent/Einstellung |
|-------|-------------------------|-----------|---------------------|
| 20    | Feine Weiß 2            | 000 ⇔ 255 | 0–100%              |
| 21    | Rot 3                   | 000 ⇔ 255 | 0–100%              |
| 22    | Feine Rot 3             | 000 ⇔ 255 | 0–100%              |
| 23    | Grün 3                  | 000 ⇔ 255 | 0–100%              |
| 24    | Feine Grün 3            | 000 ⇔ 255 | 0–100%              |
| 25    | Blau 3                  | 000 ⇔ 255 | 0–100%              |
| 26    | Feine Blau 3            | 000 ⇔ 255 | 0–100%              |
| 27    | Bernsteinfarben 3       | 000 ⇔ 255 | 0–100%              |
| 28    | Feine Bernsteinfarben 3 | 000 ⇔ 255 | 0–100%              |
| 29    | Weiß 3                  | 000 ⇔ 255 | 0–100%              |
| 30    | Feine Weiß 3            | 000 ⇔ 255 | 0–100%              |

### 3 RGBAW EXT (27 Kanäle)

| Kanal     | Funktion                                | Wert      | Prozent/Einstellung                      |
|-----------|---|-----------|--|
| 1         | Dimmer                                  | 000 ⇔ 255 | 0–100%                                   |
| 2         | Feine Dimmer                            | 000 ⇔ 255 | 0–100%                                   |
| 3         | Rot 1                                   | 000 ⇔ 255 | 0–100%                                   |
| 4         | Grün 1                                  | 000 ⇔ 255 | 0–100%                                   |
| 5         | Blau 1                                  | 000 ⇔ 255 | 0–100%                                   |
| 6         | Bernsteinfarben 1                       | 000 ⇔ 255 | 0–100%                                   |
| 7         | Weiß 1                                  | 000 ⇔ 255 | 0–100%                                   |
| 8         | Farbmakros 1                            | 000 ⇔ 010 | Keine Funktion                           |
|           |   | 011 ⇔ 034 | R: 100% G: 0–100% B: 0% A: 0% W: 0%      |
|           |   | 035 ⇔ 059 | R: 100–0% G: 100% B: 0% A: 0% W: 0%      |
|           |   | 060 ⇔ 084 | R: 0% G: 100% B: 0–100% A: 0% W: 0%      |
|           |   | 084 ⇔ 109 | R: 0% G: 100–0% B: 100% A: 0% W: 0%      |
|           |   | 110 ⇔ 134 | R: 0–100% G: 0% B: 100% A: 0% W: 0%      |
|           |   | 134 ⇔ 159 | R: 100% G: 0% B: 100–0% A: 0% W: 0%      |
|           |   | 160 ⇔ 184 | R: 100% G: 0–100% B: 0–100% A: 0% W: 0%  |
| 184 ⇔ 209 | R: 100–0% G: 100–0% B: 100% A: 0% W: 0% |           |  |
| 210 ⇔ 255 | R: 100% G: 100% B: 100% A: 100% W: 100% |           |  |
| 9         | Farbtemperaturen 1                      | 000 ⇔ 010 | Keine Funktion                           |
|           |   | 011 ⇔ 028 | Weiß                                     |
|           |   | 029 ⇔ 046 | Weiß 2                                   |
|           |   | 047 ⇔ 064 | Weiß 3                                   |
|           |   | 065 ⇔ 082 | Weiß 4                                   |
|           |   | 083 ⇔ 100 | Weiß 5                                   |
|           |   | 101 ⇔ 118 | Weiß 6                                   |
|           |   | 119 ⇔ 136 | Weiß 7                                   |
|           |   | 137 ⇔ 154 | Weiß 8                                   |
|           |   | 155 ⇔ 172 | Weiß 9                                   |
|           |   | 173 ⇔ 190 | Weiß 10                                  |
|           |   | 191 ⇔ 208 | Weiß 11                                  |
|           |   | 209 ⇔ 226 | Weiß 12                                  |
|           |   | 227 ⇔ 244 | Weiß 13                                  |
| 245 ⇔ 255 | Weiß 14                                 |           |  |
| 10        | Stroboskop 1                            | 000 ⇔ 009 | Keine Funktion                           |
|           |   | 010 ⇔ 099 | Stroboskop, von langsam nach schnell     |
|           |   | 100 ⇔ 109 | Keine Funktion                           |
|           |   | 110 ⇔ 179 | Pulse-Stroboskop, langsam nach schnell   |
|           |   | 180 ⇔ 189 | Keine Funktion                           |
|           |   | 190 ⇔ 255 | Zufalls-Stroboskop, langsam nach schnell |
| 11        | Rot 2                                   | 000 ⇔ 255 | 0–100%                                   |
| 12        | Grün 2                                  | 000 ⇔ 255 | 0–100%                                   |
| 13        | Blau 2                                  | 000 ⇔ 255 | 0–100%                                   |

| Kanal     | Funktion                                | Wert      | Prozent/Einstellung                      |
|-----------|---|-----------|--|
| 14        | Bernsteinfarben 2                       | 000 ⇄ 255 | 0–100%                                   |
| 15        | Weiß 2                                  | 000 ⇄ 255 | 0–100%                                   |
| 16        | Farbmakros 2                            | 000 ⇄ 010 | Keine Funktion                           |
|           |   | 011 ⇄ 034 | R: 100% G: 0–100% B: 0% A: 0% W: 0%      |
|           |   | 035 ⇄ 059 | R: 100–0% G: 100% B: 0% A: 0% W: 0%      |
|           |   | 060 ⇄ 084 | R: 0% G: 100% B: 0–100% A: 0% W: 0%      |
|           |   | 084 ⇄ 109 | R: 0% G: 100–0% B: 100% A: 0% W: 0%      |
|           |   | 110 ⇄ 134 | R: 0–100% G: 0% B: 100% A: 0% W: 0%      |
|           |   | 134 ⇄ 159 | R: 100% G: 0% B: 100–0% A: 0% W: 0%      |
|           |   | 160 ⇄ 184 | R: 100% G: 0–100% B: 0–100% A: 0% W: 0%  |
|           |   | 184 ⇄ 209 | R: 100–0% G: 100–0% B: 100% A: 0% W: 0%  |
| 210 ⇄ 255 | R: 100% G: 100% B: 100% A: 100% W: 100% |           |  |
| 17        | Farbtemperaturen 2                      | 000 ⇄ 010 | Keine Funktion                           |
|           |   | 011 ⇄ 028 | Weiß                                     |
|           |   | 029 ⇄ 046 | Weiß 2                                   |
|           |   | 047 ⇄ 064 | Weiß 3                                   |
|           |   | 065 ⇄ 082 | Weiß 4                                   |
|           |   | 083 ⇄ 100 | Weiß 5                                   |
|           |   | 101 ⇄ 118 | Weiß 6                                   |
|           |   | 119 ⇄ 136 | Weiß 7                                   |
|           |   | 137 ⇄ 154 | Weiß 8                                   |
|           |   | 155 ⇄ 172 | Weiß 9                                   |
|           |   | 173 ⇄ 190 | Weiß 10                                  |
|           |   | 191 ⇄ 208 | Weiß 11                                  |
|           |   | 209 ⇄ 226 | Weiß 12                                  |
|           |   | 227 ⇄ 244 | Weiß 13                                  |
|           |   | 245 ⇄ 255 | Weiß 14                                  |
| 18        | Stroboskop 2                            | 000 ⇄ 009 | Keine Funktion                           |
|           |   | 010 ⇄ 099 | Stroboskop, von langsam nach schnell     |
|           |   | 100 ⇄ 109 | Keine Funktion                           |
|           |   | 110 ⇄ 179 | Pulse-Stroboskop, langsam nach schnell   |
|           |   | 180 ⇄ 189 | Keine Funktion                           |
|           |   | 190 ⇄ 255 | Zufalls-Stroboskop, langsam nach schnell |
| 19        | Rot 3                                   | 000 ⇄ 255 | 0–100%                                   |
| 20        | Grün 3                                  | 000 ⇄ 255 | 0–100%                                   |
| 21        | Blau 3                                  | 000 ⇄ 255 | 0–100%                                   |
| 22        | Bernsteinfarben 3                       | 000 ⇄ 255 | 0–100%                                   |
| 23        | Weiß 3                                  | 000 ⇄ 255 | 0–100%                                   |
| 24        | Farbmakros 3                            | 000 ⇄ 010 | Keine Funktion                           |
|           |   | 011 ⇄ 034 | R: 100% G: 0–100% B: 0% A: 0% W: 0%      |
|           |   | 035 ⇄ 059 | R: 100–0% G: 100% B: 0% A: 0% W: 0%      |
|           |   | 060 ⇄ 084 | R: 0% G: 100% B: 0–100% A: 0% W: 0%      |
|           |   | 084 ⇄ 109 | R: 0% G: 100–0% B: 100% A: 0% W: 0%      |
|           |   | 110 ⇄ 134 | R: 0–100% G: 0% B: 100% A: 0% W: 0%      |
|           |   | 134 ⇄ 159 | R: 100% G: 0% B: 100–0% A: 0% W: 0%      |
|           |   | 160 ⇄ 184 | R: 100% G: 0–100% B: 0–100% A: 0% W: 0%  |
|           |   | 184 ⇄ 209 | R: 100–0% G: 100–0% B: 100% A: 0% W: 0%  |
| 210 ⇄ 255 | R: 100% G: 100% B: 100% A: 100% W: 100% |           |  |

| Kanal | Funktion           | Wert      | Prozent/Einstellung                      |
|-------|--------------------|-----------|--|
| 25    | Farbtemperaturen 3 | 000 ⇔ 010 | Keine Funktion                           |
|       |                    | 011 ⇔ 028 | Weiß                                     |
|       |                    | 029 ⇔ 046 | Weiß 2                                   |
|       |                    | 047 ⇔ 064 | Weiß 3                                   |
|       |                    | 065 ⇔ 082 | Weiß 4                                   |
|       |                    | 083 ⇔ 100 | Weiß 5                                   |
|       |                    | 101 ⇔ 118 | Weiß 6                                   |
|       |                    | 119 ⇔ 136 | Weiß 7                                   |
|       |                    | 137 ⇔ 154 | Weiß 8                                   |
|       |                    | 155 ⇔ 172 | Weiß 9                                   |
|       |                    | 173 ⇔ 190 | Weiß 10                                  |
|       |                    | 191 ⇔ 208 | Weiß 11                                  |
|       |                    | 209 ⇔ 226 | Weiß 12                                  |
|       |                    | 227 ⇔ 244 | Weiß 13                                  |
|       |                    | 245 ⇔ 255 | Weiß 14                                  |
| 26    | Stroboskop 3       | 000 ⇔ 009 | Keine Funktion                           |
|       |                    | 010 ⇔ 099 | Stroboskop, von langsam nach schnell     |
|       |                    | 100 ⇔ 109 | Keine Funktion                           |
|       |                    | 110 ⇔ 179 | Pulse-Stroboskop, langsam nach schnell   |
|       |                    | 180 ⇔ 189 | Keine Funktion                           |
|       |                    | 190 ⇔ 255 | Zufalls-Stroboskop, langsam nach schnell |
| 27    | Stroboskop alle    | 000 ⇔ 009 | Keine Funktion                           |
|       |                    | 010 ⇔ 099 | Stroboskop, von langsam nach schnell     |
|       |                    | 100 ⇔ 109 | Keine Funktion                           |
|       |                    | 110 ⇔ 179 | Pulse-Stroboskop, langsam nach schnell   |
|       |                    | 180 ⇔ 189 | Keine Funktion                           |
|       |                    | 190 ⇔ 255 | Zufalls-Stroboskop, langsam nach schnell |

**3 RGBAW (15 Kanäle)**

| Kanal | Funktion          | Wert      | Prozent/Einstellung |
|-------|-------------------|-----------|---------------------|
| 1     | Rot 1             | 000 ⇔ 255 | 0–100%              |
| 2     | Grün 1            | 000 ⇔ 255 | 0–100%              |
| 3     | Blau 1            | 000 ⇔ 255 | 0–100%              |
| 4     | Bernsteinfarben 1 | 000 ⇔ 255 | 0–100%              |
| 5     | Weiß 1            | 000 ⇔ 255 | 0–100%              |
| 6     | Rot 2             | 000 ⇔ 255 | 0–100%              |
| 7     | Grün 2            | 000 ⇔ 255 | 0–100%              |
| 8     | Blau 2            | 000 ⇔ 255 | 0–100%              |
| 9     | Bernsteinfarben 2 | 000 ⇔ 255 | 0–100%              |
| 10    | Weiß 2            | 000 ⇔ 255 | 0–100%              |
| 11    | Rot 3             | 000 ⇔ 255 | 0–100%              |
| 12    | Grün 3            | 000 ⇔ 255 | 0–100%              |
| 13    | Blau 3            | 000 ⇔ 255 | 0–100%              |
| 14    | Bernsteinfarben 3 | 000 ⇔ 255 | 0–100%              |
| 15    | Weiß 3            | 000 ⇔ 255 | 0–100%              |

**3 RGBA EXT (24 Kanäle)**

| Kanal | Funktion          | Wert      | Prozent/Einstellung |
|-------|-------------------|-----------|---------------------|
| 1     | Dimmer            | 000 ⇔ 255 | 0–100%              |
| 2     | Feine Dimmer      | 000 ⇔ 255 | 0–100%              |
| 3     | Rot 1             | 000 ⇔ 255 | 0–100%              |
| 4     | Grün 1            | 000 ⇔ 255 | 0–100%              |
| 5     | Blau 1            | 000 ⇔ 255 | 0–100%              |
| 6     | Bernsteinfarben 1 | 000 ⇔ 255 | 0–100%              |

| Kanal | Funktion           | Wert      | Prozent/Einstellung                      |
|-------|--------------------|-----------|--|
| 7     | Farbmakros 1       | 000 ⇄ 010 | Keine Funktion                           |
|       |                    | 011 ⇄ 034 | R: 100% G: 0–100% B: 0% A: 0% W: 0%      |
|       |                    | 035 ⇄ 059 | R: 100–0% G: 100% B: 0% A: 0% W: 0%      |
|       |                    | 060 ⇄ 084 | R: 0% G: 100% B: 0–100% A: 0% W: 0%      |
|       |                    | 084 ⇄ 109 | R: 0% G: 100–0% B: 100% A: 0% W: 0%      |
|       |                    | 110 ⇄ 134 | R: 0–100% G: 0% B: 100% A: 0% W: 0%      |
|       |                    | 134 ⇄ 159 | R: 100% G: 0% B: 100–0% A: 0% W: 0%      |
|       |                    | 160 ⇄ 184 | R: 100% G: 0–100% B: 0–100% A: 0% W: 0%  |
|       |                    | 184 ⇄ 209 | R: 100–0% G: 100–0% B: 100% A: 0% W: 0%  |
|       |                    | 210 ⇄ 255 | R: 100% G: 100% B: 100% A: 100% W: 100%  |
| 8     | Farbtemperaturen 1 | 000 ⇄ 010 | Keine Funktion                           |
|       |                    | 011 ⇄ 028 | Weiß                                     |
|       |                    | 029 ⇄ 046 | Weiß 2                                   |
|       |                    | 047 ⇄ 064 | Weiß 3                                   |
|       |                    | 065 ⇄ 082 | Weiß 4                                   |
|       |                    | 083 ⇄ 100 | Weiß 5                                   |
|       |                    | 101 ⇄ 118 | Weiß 6                                   |
|       |                    | 119 ⇄ 136 | Weiß 7                                   |
|       |                    | 137 ⇄ 154 | Weiß 8                                   |
|       |                    | 155 ⇄ 172 | Weiß 9                                   |
|       |                    | 173 ⇄ 190 | Weiß 10                                  |
|       |                    | 191 ⇄ 208 | Weiß 11                                  |
|       |                    | 209 ⇄ 226 | Weiß 12                                  |
|       |                    | 227 ⇄ 244 | Weiß 13                                  |
|       |                    | 245 ⇄ 255 | Weiß 14                                  |
| 9     | Stroboskop 1       | 000 ⇄ 009 | Keine Funktion                           |
|       |                    | 010 ⇄ 099 | Stroboskop, von langsam nach schnell     |
|       |                    | 100 ⇄ 109 | Keine Funktion                           |
|       |                    | 110 ⇄ 179 | Pulse-Stroboskop, langsam nach schnell   |
|       |                    | 180 ⇄ 189 | Keine Funktion                           |
|       |                    | 190 ⇄ 255 | Zufalls-Stroboskop, langsam nach schnell |
| 10    | Rot 2              | 000 ⇄ 255 | 0–100%                                   |
| 11    | Grün 2             | 000 ⇄ 255 | 0–100%                                   |
| 12    | Blau 2             | 000 ⇄ 255 | 0–100%                                   |
| 13    | Bernsteinfarben 2  | 000 ⇄ 255 | 0–100%                                   |
| 14    | Farbmakros 2       | 000 ⇄ 010 | Keine Funktion                           |
|       |                    | 011 ⇄ 034 | R: 100% G: 0–100% B: 0% A: 0% W: 0%      |
|       |                    | 035 ⇄ 059 | R: 100–0% G: 100% B: 0% A: 0% W: 0%      |
|       |                    | 060 ⇄ 084 | R: 0% G: 100% B: 0–100% A: 0% W: 0%      |
|       |                    | 084 ⇄ 109 | R: 0% G: 100–0% B: 100% A: 0% W: 0%      |
|       |                    | 110 ⇄ 134 | R: 0–100% G: 0% B: 100% A: 0% W: 0%      |
|       |                    | 134 ⇄ 159 | R: 100% G: 0% B: 100–0% A: 0% W: 0%      |
|       |                    | 160 ⇄ 184 | R: 100% G: 0–100% B: 0–100% A: 0% W: 0%  |
|       |                    | 184 ⇄ 209 | R: 100–0% G: 100–0% B: 100% A: 0% W: 0%  |
|       |                    | 210 ⇄ 255 | R: 100% G: 100% B: 100% A: 100% W: 100%  |

| Kanal     | Funktion           | Wert      | Prozent/Einstellung                      |
|-----------|--------------------|-----------|--|
| 15        | Farbtemperaturen 2 | 000 ⇔ 010 | Keine Funktion                           |
|           |                    | 011 ⇔ 028 | Weiß                                     |
|           |                    | 029 ⇔ 046 | Weiß 2                                   |
|           |                    | 047 ⇔ 064 | Weiß 3                                   |
|           |                    | 065 ⇔ 082 | Weiß 4                                   |
|           |                    | 083 ⇔ 100 | Weiß 5                                   |
|           |                    | 101 ⇔ 118 | Weiß 6                                   |
|           |                    | 119 ⇔ 136 | Weiß 7                                   |
|           |                    | 137 ⇔ 154 | Weiß 8                                   |
|           |                    | 155 ⇔ 172 | Weiß 9                                   |
|           |                    | 173 ⇔ 190 | Weiß 10                                  |
|           |                    | 191 ⇔ 208 | Weiß 11                                  |
|           |                    | 209 ⇔ 226 | Weiß 12                                  |
|           |                    | 227 ⇔ 244 | Weiß 13                                  |
| 245 ⇔ 255 | Weiß 14            |           |  |
| 16        | Stroboskop 2       | 000 ⇔ 009 | Keine Funktion                           |
|           |                    | 010 ⇔ 099 | Stroboskop, von langsam nach schnell     |
|           |                    | 100 ⇔ 109 | Keine Funktion                           |
|           |                    | 110 ⇔ 179 | Pulse-Stroboskop, langsam nach schnell   |
|           |                    | 180 ⇔ 189 | Keine Funktion                           |
|           |                    | 190 ⇔ 255 | Zufalls-Stroboskop, langsam nach schnell |
| 17        | Rot 3              | 000 ⇔ 255 | 0–100%                                   |
| 18        | Grün 3             | 000 ⇔ 255 | 0–100%                                   |
| 19        | Blau 3             | 000 ⇔ 255 | 0–100%                                   |
| 20        | Bernsteinfarben 3  | 000 ⇔ 255 | 0–100%                                   |
| 21        | Farbmakros 3       | 000 ⇔ 010 | Keine Funktion                           |
|           |                    | 011 ⇔ 034 | R: 100% G: 0–100% B: 0% A: 0% W: 0%      |
|           |                    | 035 ⇔ 059 | R: 100–0% G: 100% B: 0% A: 0% W: 0%      |
|           |                    | 060 ⇔ 084 | R: 0% G: 100% B: 0–100% A: 0% W: 0%      |
|           |                    | 084 ⇔ 109 | R: 0% G: 100–0% B: 100% A: 0% W: 0%      |
|           |                    | 110 ⇔ 134 | R: 0–100% G: 0% B: 100% A: 0% W: 0%      |
|           |                    | 134 ⇔ 159 | R: 100% G: 0% B: 100–0% A: 0% W: 0%      |
|           |                    | 160 ⇔ 184 | R: 100% G: 0–100% B: 0–100% A: 0% W: 0%  |
|           |                    | 184 ⇔ 209 | R: 100–0% G: 100–0% B: 100% A: 0% W: 0%  |
|           |                    | 210 ⇔ 255 | R: 100% G: 100% B: 100% A: 100% W: 100%  |
| 22        | Farbtemperaturen 3 | 000 ⇔ 010 | Keine Funktion                           |
|           |                    | 011 ⇔ 028 | Weiß                                     |
|           |                    | 029 ⇔ 046 | Weiß 2                                   |
|           |                    | 047 ⇔ 064 | Weiß 3                                   |
|           |                    | 065 ⇔ 082 | Weiß 4                                   |
|           |                    | 083 ⇔ 100 | Weiß 5                                   |
|           |                    | 101 ⇔ 118 | Weiß 6                                   |
|           |                    | 119 ⇔ 136 | Weiß 7                                   |
|           |                    | 137 ⇔ 154 | Weiß 8                                   |
|           |                    | 155 ⇔ 172 | Weiß 9                                   |
|           |                    | 173 ⇔ 190 | Weiß 10                                  |
|           |                    | 191 ⇔ 208 | Weiß 11                                  |
|           |                    | 209 ⇔ 226 | Weiß 12                                  |
|           |                    | 227 ⇔ 244 | Weiß 13                                  |
| 245 ⇔ 255 | Weiß 14            |           |  |

| Kanal | Funktion        | Wert      | Prozent/Einstellung                      |
|-------|-----------------|-----------|--|
| 23    | Stroboskop 3    | 000 ⇔ 009 | Keine Funktion                           |
|       |                 | 010 ⇔ 099 | Stroboskop, von langsam nach schnell     |
|       |                 | 100 ⇔ 109 | Keine Funktion                           |
|       |                 | 110 ⇔ 179 | Pulse-Stroboskop, langsam nach schnell   |
|       |                 | 180 ⇔ 189 | Keine Funktion                           |
|       |                 | 190 ⇔ 255 | Zufalls-Stroboskop, langsam nach schnell |
| 24    | Stroboskop alle | 000 ⇔ 009 | Keine Funktion                           |
|       |                 | 010 ⇔ 099 | Stroboskop, von langsam nach schnell     |
|       |                 | 100 ⇔ 109 | Keine Funktion                           |
|       |                 | 110 ⇔ 179 | Pulse-Stroboskop, langsam nach schnell   |
|       |                 | 180 ⇔ 189 | Keine Funktion                           |
|       |                 | 190 ⇔ 255 | Zufalls-Stroboskop, langsam nach schnell |

## 3 RGBA (12 Kanäle)

| Kanal | Funktion          | Wert      | Prozent/Einstellung |
|-------|-------------------|-----------|---------------------|
| 1     | Rot 1             | 000 ⇔ 255 | 0–100%              |
| 2     | Grün 1            | 000 ⇔ 255 | 0–100%              |
| 3     | Blau 1            | 000 ⇔ 255 | 0–100%              |
| 4     | Bernsteinfarben 1 | 000 ⇔ 255 | 0–100%              |
| 5     | Rot 2             | 000 ⇔ 255 | 0–100%              |
| 6     | Grün 2            | 000 ⇔ 255 | 0–100%              |
| 7     | Blau 2            | 000 ⇔ 255 | 0–100%              |
| 8     | Bernsteinfarben 2 | 000 ⇔ 255 | 0–100%              |
| 9     | Rot 3             | 000 ⇔ 255 | 0–100%              |
| 10    | Grün 3            | 000 ⇔ 255 | 0–100%              |
| 11    | Blau 3            | 000 ⇔ 255 | 0–100%              |
| 12    | Bernsteinfarben 3 | 000 ⇔ 255 | 0–100%              |

## 3 RGB EXT (21 Kanäle)

| Kanal | Funktion     | Wert      | Prozent/Einstellung                     |
|-------|--------------|-----------|---|
| 1     | Dimmer       | 000 ⇔ 255 | 0–100%                                  |
| 2     | Feine Dimmer | 000 ⇔ 255 | 0–100%                                  |
| 3     | Rot 1        | 000 ⇔ 255 | 0–100%                                  |
| 4     | Grün 1       | 000 ⇔ 255 | 0–100%                                  |
| 5     | Blau 1       | 000 ⇔ 255 | 0–100%                                  |
| 6     | Farbmakros 1 | 000 ⇔ 010 | Keine Funktion                          |
|       |              | 011 ⇔ 034 | R: 100% G: 0–100% B: 0% A: 0% W: 0%     |
|       |              | 035 ⇔ 059 | R: 100–0% G: 100% B: 0% A: 0% W: 0%     |
|       |              | 060 ⇔ 084 | R: 0% G: 100% B: 0–100% A: 0% W: 0%     |
|       |              | 084 ⇔ 109 | R: 0% G: 100–0% B: 100% A: 0% W: 0%     |
|       |              | 110 ⇔ 134 | R: 0–100% G: 0% B: 100% A: 0% W: 0%     |
|       |              | 134 ⇔ 159 | R: 100% G: 0% B: 100–0% A: 0% W: 0%     |
|       |              | 160 ⇔ 184 | R: 100% G: 0–100% B: 0–100% A: 0% W: 0% |
|       |              | 184 ⇔ 209 | R: 100–0% G: 100–0% B: 100% A: 0% W: 0% |
|       |              | 210 ⇔ 255 | R: 100% G: 100% B: 100% A: 100% W: 100% |

| Kanal     | Funktion           | Wert      | Prozent/Einstellung                      |
|-----------|--------------------|-----------|--|
| 7         | Farbtemperaturen 1 | 000 ⇔ 010 | Keine Funktion                           |
|           |                    | 011 ⇔ 028 | Weiß                                     |
|           |                    | 029 ⇔ 046 | Weiß 2                                   |
|           |                    | 047 ⇔ 064 | Weiß 3                                   |
|           |                    | 065 ⇔ 082 | Weiß 4                                   |
|           |                    | 083 ⇔ 100 | Weiß 5                                   |
|           |                    | 101 ⇔ 118 | Weiß 6                                   |
|           |                    | 119 ⇔ 136 | Weiß 7                                   |
|           |                    | 137 ⇔ 154 | Weiß 8                                   |
|           |                    | 155 ⇔ 172 | Weiß 9                                   |
|           |                    | 173 ⇔ 190 | Weiß 10                                  |
|           |                    | 191 ⇔ 208 | Weiß 11                                  |
|           |                    | 209 ⇔ 226 | Weiß 12                                  |
|           |                    | 227 ⇔ 244 | Weiß 13                                  |
| 245 ⇔ 255 | Weiß 14            |           |  |
| 8         | Stroboskop 1       | 000 ⇔ 009 | Keine Funktion                           |
|           |                    | 010 ⇔ 099 | Stroboskop, von langsam nach schnell     |
|           |                    | 100 ⇔ 109 | Keine Funktion                           |
|           |                    | 110 ⇔ 179 | Pulse-Stroboskop, langsam nach schnell   |
|           |                    | 180 ⇔ 189 | Keine Funktion                           |
|           |                    | 190 ⇔ 255 | Zufalls-Stroboskop, langsam nach schnell |
| 9         | Rot 2              | 000 ⇔ 255 | 0–100%                                   |
| 10        | Grün 2             | 000 ⇔ 255 | 0–100%                                   |
| 11        | Blau 2             | 000 ⇔ 255 | 0–100%                                   |
| 12        | Farbmakros 2       | 000 ⇔ 010 | Keine Funktion                           |
|           |                    | 011 ⇔ 034 | R: 100% G: 0–100% B: 0% A: 0% W: 0%      |
|           |                    | 035 ⇔ 059 | R: 100–0% G: 100% B: 0% A: 0% W: 0%      |
|           |                    | 060 ⇔ 084 | R: 0% G: 100% B: 0–100% A: 0% W: 0%      |
|           |                    | 084 ⇔ 109 | R: 0% G: 100–0% B: 100% A: 0% W: 0%      |
|           |                    | 110 ⇔ 134 | R: 0–100% G: 0% B: 100% A: 0% W: 0%      |
|           |                    | 134 ⇔ 159 | R: 100% G: 0% B: 100–0% A: 0% W: 0%      |
|           |                    | 160 ⇔ 184 | R: 100% G: 0–100% B: 0–100% A: 0% W: 0%  |
|           |                    | 184 ⇔ 209 | R: 100–0% G: 100–0% B: 100% A: 0% W: 0%  |
|           |                    | 210 ⇔ 255 | R: 100% G: 100% B: 100% A: 100% W: 100%  |
| 13        | Farbtemperaturen 2 | 000 ⇔ 010 | Keine Funktion                           |
|           |                    | 011 ⇔ 028 | Weiß                                     |
|           |                    | 029 ⇔ 046 | Weiß 2                                   |
|           |                    | 047 ⇔ 064 | Weiß 3                                   |
|           |                    | 065 ⇔ 082 | Weiß 4                                   |
|           |                    | 083 ⇔ 100 | Weiß 5                                   |
|           |                    | 101 ⇔ 118 | Weiß 6                                   |
|           |                    | 119 ⇔ 136 | Weiß 7                                   |
|           |                    | 137 ⇔ 154 | Weiß 8                                   |
|           |                    | 155 ⇔ 172 | Weiß 9                                   |
|           |                    | 173 ⇔ 190 | Weiß 10                                  |
|           |                    | 191 ⇔ 208 | Weiß 11                                  |
|           |                    | 209 ⇔ 226 | Weiß 12                                  |
|           |                    | 227 ⇔ 244 | Weiß 13                                  |
| 245 ⇔ 255 | Weiß 14            |           |  |
| 14        | Stroboskop 2       | 000 ⇔ 009 | Keine Funktion                           |
|           |                    | 010 ⇔ 099 | Stroboskop, von langsam nach schnell     |
|           |                    | 100 ⇔ 109 | Keine Funktion                           |
|           |                    | 110 ⇔ 179 | Pulse-Stroboskop, langsam nach schnell   |
|           |                    | 180 ⇔ 189 | Keine Funktion                           |
|           |                    | 190 ⇔ 255 | Zufalls-Stroboskop, langsam nach schnell |

| Kanal     | Funktion                                | Wert      | Prozent/Einstellung                      |
|-----------|---|-----------|--|
| 15        | Rot 3                                   | 000 ⇄ 255 | 0–100%                                   |
| 16        | Grün 3                                  | 000 ⇄ 255 | 0–100%                                   |
| 17        | Blau 3                                  | 000 ⇄ 255 | 0–100%                                   |
| 18        | Farbmakros 3                            | 000 ⇄ 010 | Keine Funktion                           |
|           |   | 011 ⇄ 034 | R: 100% G: 0–100% B: 0% A: 0% W: 0%      |
|           |   | 035 ⇄ 059 | R: 100–0% G: 100% B: 0% A: 0% W: 0%      |
|           |   | 060 ⇄ 084 | R: 0% G: 100% B: 0–100% A: 0% W: 0%      |
|           |   | 084 ⇄ 109 | R: 0% G: 100–0% B: 100% A: 0% W: 0%      |
|           |   | 110 ⇄ 134 | R: 0–100% G: 0% B: 100% A: 0% W: 0%      |
|           |   | 134 ⇄ 159 | R: 100% G: 0% B: 100–0% A: 0% W: 0%      |
|           |   | 160 ⇄ 184 | R: 100% G: 0–100% B: 0–100% A: 0% W: 0%  |
|           |   | 184 ⇄ 209 | R: 100–0% G: 100–0% B: 100% A: 0% W: 0%  |
| 210 ⇄ 255 | R: 100% G: 100% B: 100% A: 100% W: 100% |           |  |
| 19        | Farbtemperaturen 3                      | 000 ⇄ 010 | Keine Funktion                           |
|           |   | 011 ⇄ 028 | Weiß                                     |
|           |   | 029 ⇄ 046 | Weiß 2                                   |
|           |   | 047 ⇄ 064 | Weiß 3                                   |
|           |   | 065 ⇄ 082 | Weiß 4                                   |
|           |   | 083 ⇄ 100 | Weiß 5                                   |
|           |   | 101 ⇄ 118 | Weiß 6                                   |
|           |   | 119 ⇄ 136 | Weiß 7                                   |
|           |   | 137 ⇄ 154 | Weiß 8                                   |
|           |   | 155 ⇄ 172 | Weiß 9                                   |
|           |   | 173 ⇄ 190 | Weiß 10                                  |
|           |   | 191 ⇄ 208 | Weiß 11                                  |
|           |   | 209 ⇄ 226 | Weiß 12                                  |
|           |   | 227 ⇄ 244 | Weiß 13                                  |
| 245 ⇄ 255 | Weiß 14                                 |           |  |
| 20        | Stroboskop 3                            | 000 ⇄ 009 | Keine Funktion                           |
|           |   | 010 ⇄ 099 | Stroboskop, von langsam nach schnell     |
|           |   | 100 ⇄ 109 | Keine Funktion                           |
|           |   | 110 ⇄ 179 | Pulse-Stroboskop, langsam nach schnell   |
|           |   | 180 ⇄ 189 | Keine Funktion                           |
|           |   | 190 ⇄ 255 | Zufalls-Stroboskop, langsam nach schnell |
| 21        | Stroboskop alle                         | 000 ⇄ 009 | Keine Funktion                           |
|           |   | 010 ⇄ 099 | Stroboskop, von langsam nach schnell     |
|           |   | 100 ⇄ 109 | Keine Funktion                           |
|           |   | 110 ⇄ 179 | Pulse-Stroboskop, langsam nach schnell   |
|           |   | 180 ⇄ 189 | Keine Funktion                           |
|           |   | 190 ⇄ 255 | Zufalls-Stroboskop, langsam nach schnell |

## 3 RGB (9 Kanäle)

| Kanal | Funktion | Wert      | Prozent/Einstellung |
|-------|----------|-----------|---------------------|
| 1     | Rot 1    | 000 ⇄ 255 | 0–100%              |
| 2     | Grün 1   | 000 ⇄ 255 | 0–100%              |
| 3     | Blau 1   | 000 ⇄ 255 | 0–100%              |
| 4     | Rot 2    | 000 ⇄ 255 | 0–100%              |
| 5     | Grün 2   | 000 ⇄ 255 | 0–100%              |
| 6     | Blau 2   | 000 ⇄ 255 | 0–100%              |
| 7     | Rot 3    | 000 ⇄ 255 | 0–100%              |
| 8     | Grün 3   | 000 ⇄ 255 | 0–100%              |
| 9     | Blau 3   | 000 ⇄ 255 | 0–100%              |



**1-Zellen-DMX-Wert**
**1 HSIC (8 Kanäle)**

| Kanal     | Funktion                                | Wert      | Prozent/Einstellung                           |
|-----------|---|-----------|---|
| 1         | Dimmer                                  | 000 ⇔ 255 | 0–100%  |
| 2         | Farbton                                 | 000 ⇔ 255 | 0–100%  |
| 3         | Feine Farbton                           | 000 ⇔ 255 | 0–100%  |
| 4         | Farbsättigung                           | 000 ⇔ 255 | 0–100%  |
| 5         | Stroboskop                              | 000 ⇔ 009 | Keine Funktion                                |
|           |   | 010 ⇔ 099 | Stroboskop, von langsam nach schnell          |
|           |   | 100 ⇔ 109 | Keine Funktion                                |
|           |   | 110 ⇔ 179 | Pulse-Stroboskop, langsam nach schnell        |
|           |   | 180 ⇔ 189 | Keine Funktion                                |
|           |   | 190 ⇔ 255 | Zufalls-Stroboskop, langsam nach schnell      |
| 6         | Farbmakros                              | 000 ⇔ 010 | Keine Funktion                                |
|           |   | 011 ⇔ 034 | R: 100% G: 0–100% B: 0% A: 0% W: 0%           |
|           |   | 035 ⇔ 059 | R: 100–0% G: 100% B: 0% A: 0% W: 0%           |
|           |   | 060 ⇔ 084 | R: 0% G: 100% B: 0–100% A: 0% W: 0%           |
|           |   | 084 ⇔ 109 | R: 0% G: 100–0% B: 100% A: 0% W: 0%           |
|           |   | 110 ⇔ 134 | R: 0–100% G: 0% B: 100% A: 0% W: 0%           |
|           |   | 134 ⇔ 159 | R: 100% G: 0% B: 100–0% A: 0% W: 0%           |
|           |   | 160 ⇔ 184 | R: 100% G: 0–100% B: 0–100% A: 0% W: 0%       |
|           |   | 184 ⇔ 209 | R: 100–0% G: 100–0% B: 100% A: 0% W: 0%       |
| 210 ⇔ 255 | R: 100% G: 100% B: 100% A: 100% W: 100% |           |   |
| 7         | Farbtemperaturen                        | 000 ⇔ 010 | Keine Funktion                                |
|           |   | 011 ⇔ 028 | Weiß  |
|           |   | 029 ⇔ 046 | Weiß 2  |
|           |   | 047 ⇔ 064 | Weiß 3  |
|           |   | 065 ⇔ 082 | Weiß 4  |
|           |   | 083 ⇔ 100 | Weiß 5  |
|           |   | 101 ⇔ 118 | Weiß 6  |
|           |   | 119 ⇔ 136 | Weiß 7  |
|           |   | 137 ⇔ 154 | Weiß 8  |
|           |   | 155 ⇔ 172 | Weiß 9  |
|           |   | 173 ⇔ 190 | Weiß 10                                       |
|           |   | 191 ⇔ 208 | Weiß 11                                       |
|           |   | 209 ⇔ 226 | Weiß 12                                       |
|           |   | 227 ⇔ 244 | Weiß 13                                       |
| 245 ⇔ 255 | Weiß 14                                 |           |   |
| 8         | Dimmergeschwindigkeit                   | 000 ⇔ 009 | Dimmergeschwindigkeit von Anzeige eingestellt |
|           |   | 010 ⇔ 029 | Dimmer-Geschwindigkeits-Modus aus             |
|           |   | 030 ⇔ 069 | Dimmer-Geschwindigkeits-Modus 1 (schnellste)  |
|           |   | 070 ⇔ 129 | Dimmer-Geschwindigkeits-Modus 2               |
|           |   | 130 ⇔ 189 | Dimmer-Geschwindigkeits-Modus 3               |
|           |   | 190 ⇔ 255 | Dimmer-Geschwindigkeits-Modus 4 (langsamste)  |

**1 RGBAW FUL (16 Kanäle)**

| Kanal | Funktion        | Wert      | Prozent/Einstellung |
|-------|-----------------|-----------|---------------------|
| 1     | Dimmer          | 000 ⇔ 255 | 0–100%              |
| 2     | Feine Dimmer    | 000 ⇔ 255 | 0–100%              |
| 3     | Rot             | 000 ⇔ 255 | 0–100%              |
| 4     | Feine Rot       | 000 ⇔ 255 | 0–100%              |
| 5     | Grün            | 000 ⇔ 255 | 0–100%              |
| 6     | Feine Grün      | 000 ⇔ 255 | 0–100%              |
| 7     | Blau            | 000 ⇔ 255 | 0–100%              |
| 8     | Feine Blau      | 000 ⇔ 255 | 0–100%              |
| 9     | Bernsteinfarben | 000 ⇔ 255 | 0–100%              |

| Kanal     | Funktion                                | Wert      | Prozent/Einstellung                           |
|-----------|---|-----------|---|
| 10        | Feine Bernsteinfarben                   | 000 ⇔ 255 | 0–100%  |
| 11        | Weiß                                    | 000 ⇔ 255 | 0–100%  |
| 12        | Feine Weiß                              | 000 ⇔ 255 | 0–100%  |
| 13        | Farbmakros                              | 000 ⇔ 010 | Keine Funktion                                |
|           |   | 011 ⇔ 034 | R: 100% G: 0–100% B: 0% A: 0% W: 0%           |
|           |   | 035 ⇔ 059 | R: 100–0% G: 100% B: 0% A: 0% W: 0%           |
|           |   | 060 ⇔ 084 | R: 0% G: 100% B: 0–100% A: 0% W: 0%           |
|           |   | 084 ⇔ 109 | R: 0% G: 100–0% B: 100% A: 0% W: 0%           |
|           |   | 110 ⇔ 134 | R: 0–100% G: 0% B: 100% A: 0% W: 0%           |
|           |   | 134 ⇔ 159 | R: 100% G: 0% B: 100–0% A: 0% W: 0%           |
|           |   | 160 ⇔ 184 | R: 100% G: 0–100% B: 0–100% A: 0% W: 0%       |
|           |   | 184 ⇔ 209 | R: 100–0% G: 100–0% B: 100% A: 0% W: 0%       |
| 210 ⇔ 255 | R: 100% G: 100% B: 100% A: 100% W: 100% |           |   |
| 14        | Farbtemperaturen                        | 000 ⇔ 010 | Keine Funktion                                |
|           |   | 011 ⇔ 028 | Weiß  |
|           |   | 029 ⇔ 046 | Weiß 2  |
|           |   | 047 ⇔ 064 | Weiß 3  |
|           |   | 065 ⇔ 082 | Weiß 4  |
|           |   | 083 ⇔ 100 | Weiß 5  |
|           |   | 101 ⇔ 118 | Weiß 6  |
|           |   | 119 ⇔ 136 | Weiß 7  |
|           |   | 137 ⇔ 154 | Weiß 8  |
|           |   | 155 ⇔ 172 | Weiß 9  |
|           |   | 173 ⇔ 190 | Weiß 10                                       |
|           |   | 191 ⇔ 208 | Weiß 11                                       |
|           |   | 209 ⇔ 226 | Weiß 12                                       |
|           |   | 227 ⇔ 244 | Weiß 13                                       |
| 245 ⇔ 255 | Weiß 14                                 |           |   |
| 15        | Stroboskop                              | 000 ⇔ 009 | Keine Funktion                                |
|           |   | 010 ⇔ 099 | Stroboskop, von langsam nach schnell          |
|           |   | 100 ⇔ 109 | Keine Funktion                                |
|           |   | 110 ⇔ 179 | Pulse-Stroboskop, langsam nach schnell        |
|           |   | 180 ⇔ 189 | Keine Funktion                                |
|           |   | 190 ⇔ 255 | Zufalls-Stroboskop, langsam nach schnell      |
| 16        | Dimmergeschwindigkeit                   | 000 ⇔ 009 | Dimmergeschwindigkeit von Anzeige eingestellt |
|           |   | 010 ⇔ 029 | Dimmer-Geschwindigkeits-Modus aus             |
|           |   | 030 ⇔ 069 | Dimmer-Geschwindigkeits-Modus 1 (schnellste)  |
|           |   | 070 ⇔ 129 | Dimmer-Geschwindigkeits-Modus 2               |
|           |   | 130 ⇔ 189 | Dimmer-Geschwindigkeits-Modus 3               |
|           |   | 190 ⇔ 255 | Dimmer-Geschwindigkeits-Modus 4 (langsamste)  |

## 1 RGBAW FIN (10 Kanäle)

| Kanal | Funktion              | Wert      | Prozent/Einstellung |
|-------|-----------------------|-----------|---------------------|
| 1     | Rot                   | 000 ⇔ 255 | 0–100%              |
| 2     | Feine Rot             | 000 ⇔ 255 | 0–100%              |
| 3     | Grün                  | 000 ⇔ 255 | 0–100%              |
| 4     | Feine Grün            | 000 ⇔ 255 | 0–100%              |
| 5     | Blau                  | 000 ⇔ 255 | 0–100%              |
| 6     | Feine Blau            | 000 ⇔ 255 | 0–100%              |
| 7     | Bernsteinfarben       | 000 ⇔ 255 | 0–100%              |
| 8     | Feine Bernsteinfarben | 000 ⇔ 255 | 0–100%              |
| 9     | Weiß                  | 000 ⇔ 255 | 0–100%              |
| 10    | Feine Weiß            | 000 ⇔ 255 | 0–100%              |

**1 RGBAW EXT (10 Kanäle)**

| Kanal     | Funktion         | Wert      | Prozent/Einstellung                      |
|-----------|------------------|-----------|--|
| 1         | Dimmer           | 000 ⇔ 255 | 0–100%                                   |
| 2         | Feine Dimmer     | 000 ⇔ 255 | 0–100%                                   |
| 3         | Rot              | 000 ⇔ 255 | 0–100%                                   |
| 4         | Grün             | 000 ⇔ 255 | 0–100%                                   |
| 5         | Blau             | 000 ⇔ 255 | 0–100%                                   |
| 6         | Bernsteinfarben  | 000 ⇔ 255 | 0–100%                                   |
| 7         | Weiß             | 000 ⇔ 255 | 0–100%                                   |
| 8         | Farbmakros       | 000 ⇔ 010 | Keine Funktion                           |
|           |                  | 011 ⇔ 034 | R: 100% G: 0–100% B: 0% A: 0% W: 0%      |
|           |                  | 035 ⇔ 059 | R: 100–0% G: 100% B: 0% A: 0% W: 0%      |
|           |                  | 060 ⇔ 084 | R: 0% G: 100% B: 0–100% A: 0% W: 0%      |
|           |                  | 084 ⇔ 109 | R: 0% G: 100–0% B: 100% A: 0% W: 0%      |
|           |                  | 110 ⇔ 134 | R: 0–100% G: 0% B: 100% A: 0% W: 0%      |
|           |                  | 134 ⇔ 159 | R: 100% G: 0% B: 100–0% A: 0% W: 0%      |
|           |                  | 160 ⇔ 184 | R: 100% G: 0–100% B: 0–100% A: 0% W: 0%  |
|           |                  | 184 ⇔ 209 | R: 100–0% G: 100–0% B: 100% A: 0% W: 0%  |
|           |                  | 210 ⇔ 255 | R: 100% G: 100% B: 100% A: 100% W: 100%  |
| 9         | Farbtemperaturen | 000 ⇔ 010 | Keine Funktion                           |
|           |                  | 011 ⇔ 028 | Weiß                                     |
|           |                  | 029 ⇔ 046 | Weiß 2                                   |
|           |                  | 047 ⇔ 064 | Weiß 3                                   |
|           |                  | 065 ⇔ 082 | Weiß 4                                   |
|           |                  | 083 ⇔ 100 | Weiß 5                                   |
|           |                  | 101 ⇔ 118 | Weiß 6                                   |
|           |                  | 119 ⇔ 136 | Weiß 7                                   |
|           |                  | 137 ⇔ 154 | Weiß 8                                   |
|           |                  | 155 ⇔ 172 | Weiß 9                                   |
|           |                  | 173 ⇔ 190 | Weiß 10                                  |
|           |                  | 191 ⇔ 208 | Weiß 11                                  |
|           |                  | 209 ⇔ 226 | Weiß 12                                  |
|           |                  | 227 ⇔ 244 | Weiß 13                                  |
| 245 ⇔ 255 | Weiß 14          |           |  |
| 10        | Stroboskop       | 000 ⇔ 009 | Keine Funktion                           |
|           |                  | 010 ⇔ 099 | Stroboskop, von langsam nach schnell     |
|           |                  | 100 ⇔ 109 | Keine Funktion                           |
|           |                  | 110 ⇔ 179 | Pulse-Stroboskop, langsam nach schnell   |
|           |                  | 180 ⇔ 189 | Keine Funktion                           |
|           |                  | 190 ⇔ 255 | Zufalls-Stroboskop, langsam nach schnell |

**1 RGBAW (5 Kanäle)**

| Kanal | Funktion        | Wert      | Prozent/Einstellung |
|-------|-----------------|-----------|---------------------|
| 1     | Rot             | 000 ⇔ 255 | 0–100%              |
| 2     | Grün            | 000 ⇔ 255 | 0–100%              |
| 3     | Blau            | 000 ⇔ 255 | 0–100%              |
| 4     | Bernsteinfarben | 000 ⇔ 255 | 0–100%              |
| 5     | Weiß            | 000 ⇔ 255 | 0–100%              |

**1 RGBA EXT (9 Kanäle)**

| Kanal | Funktion     | Wert      | Prozent/Einstellung |
|-------|--------------|-----------|---------------------|
| 1     | Dimmer       | 000 ⇔ 255 | 0–100%              |
| 2     | Feine Dimmer | 000 ⇔ 255 | 0–100%              |
| 3     | Rot          | 000 ⇔ 255 | 0–100%              |
| 4     | Grün         | 000 ⇔ 255 | 0–100%              |

DE

| Kanal     | Funktion                                | Wert      | Prozent/Einstellung                      |
|-----------|---|-----------|--|
| 5         | Blau                                    | 000 ⇄ 255 | 0–100%                                   |
| 6         | Bernsteinfarben                         | 000 ⇄ 255 | 0–100%                                   |
| 7         | Farbmakros                              | 000 ⇄ 010 | Keine Funktion                           |
|           |   | 011 ⇄ 034 | R: 100% G: 0–100% B: 0% A: 0% W: 0%      |
|           |   | 035 ⇄ 059 | R: 100–0% G: 100% B: 0% A: 0% W: 0%      |
|           |   | 060 ⇄ 084 | R: 0% G: 100% B: 0–100% A: 0% W: 0%      |
|           |   | 084 ⇄ 109 | R: 0% G: 100–0% B: 100% A: 0% W: 0%      |
|           |   | 110 ⇄ 134 | R: 0–100% G: 0% B: 100% A: 0% W: 0%      |
|           |   | 134 ⇄ 159 | R: 100% G: 0% B: 100–0% A: 0% W: 0%      |
|           |   | 160 ⇄ 184 | R: 100% G: 0–100% B: 0–100% A: 0% W: 0%  |
|           |   | 184 ⇄ 209 | R: 100–0% G: 100–0% B: 100% A: 0% W: 0%  |
| 210 ⇄ 255 | R: 100% G: 100% B: 100% A: 100% W: 100% |           |  |
| 8         | Farbtemperaturen                        | 000 ⇄ 010 | Keine Funktion                           |
|           |   | 011 ⇄ 028 | Weiß                                     |
|           |   | 029 ⇄ 046 | Weiß 2                                   |
|           |   | 047 ⇄ 064 | Weiß 3                                   |
|           |   | 065 ⇄ 082 | Weiß 4                                   |
|           |   | 083 ⇄ 100 | Weiß 5                                   |
|           |   | 101 ⇄ 118 | Weiß 6                                   |
|           |   | 119 ⇄ 136 | Weiß 7                                   |
|           |   | 137 ⇄ 154 | Weiß 8                                   |
|           |   | 155 ⇄ 172 | Weiß 9                                   |
|           |   | 173 ⇄ 190 | Weiß 10                                  |
|           |   | 191 ⇄ 208 | Weiß 11                                  |
|           |   | 209 ⇄ 226 | Weiß 12                                  |
|           |   | 227 ⇄ 244 | Weiß 13                                  |
| 245 ⇄ 255 | Weiß 14                                 |           |  |
| 9         | Stroboskop                              | 000 ⇄ 009 | Keine Funktion                           |
|           |   | 010 ⇄ 099 | Stroboskop, von langsam nach schnell     |
|           |   | 100 ⇄ 109 | Keine Funktion                           |
|           |   | 110 ⇄ 179 | Pulse-Stroboskop, langsam nach schnell   |
|           |   | 180 ⇄ 189 | Keine Funktion                           |
|           |   | 190 ⇄ 255 | Zufalls-Stroboskop, langsam nach schnell |

## 1 RGBA (4 Kanäle)

| Kanal | Funktion        | Wert      | Prozent/Einstellung |
|-------|-----------------|-----------|---------------------|
| 1     | Rot             | 000 ⇄ 255 | 0–100%              |
| 2     | Grün            | 000 ⇄ 255 | 0–100%              |
| 3     | Blau            | 000 ⇄ 255 | 0–100%              |
| 4     | Bernsteinfarben | 000 ⇄ 255 | 0–100%              |

## 1 RGB EXT (8 Kanäle)

| Kanal | Funktion     | Wert      | Prozent/Einstellung |
|-------|--------------|-----------|---------------------|
| 1     | Dimmer       | 000 ⇄ 255 | 0–100%              |
| 2     | Feine Dimmer | 000 ⇄ 255 | 0–100%              |
| 3     | Rot          | 000 ⇄ 255 | 0–100%              |
| 4     | Grün         | 000 ⇄ 255 | 0–100%              |
| 5     | Blau         | 000 ⇄ 255 | 0–100%              |

| Kanal     | Funktion         | Wert      | Prozent/Einstellung                      |
|-----------|------------------|-----------|--|
| 6         | Farbmakros       | 000 ⇔ 010 | Keine Funktion                           |
|           |                  | 011 ⇔ 034 | R: 100% G: 0–100% B: 0% A: 0% W: 0%      |
|           |                  | 035 ⇔ 059 | R: 100–0% G: 100% B: 0% A: 0% W: 0%      |
|           |                  | 060 ⇔ 084 | R: 0% G: 100% B: 0–100% A: 0% W: 0%      |
|           |                  | 084 ⇔ 109 | R: 0% G: 100–0% B: 100% A: 0% W: 0%      |
|           |                  | 110 ⇔ 134 | R: 0–100% G: 0% B: 100% A: 0% W: 0%      |
|           |                  | 134 ⇔ 159 | R: 100% G: 0% B: 100–0% A: 0% W: 0%      |
|           |                  | 160 ⇔ 184 | R: 100% G: 0–100% B: 0–100% A: 0% W: 0%  |
|           |                  | 184 ⇔ 209 | R: 100–0% G: 100–0% B: 100% A: 0% W: 0%  |
|           |                  | 210 ⇔ 255 | R: 100% G: 100% B: 100% A: 100% W: 100%  |
| 7         | Farbtemperaturen | 000 ⇔ 010 | Keine Funktion                           |
|           |                  | 011 ⇔ 028 | Weiß                                     |
|           |                  | 029 ⇔ 046 | Weiß 2                                   |
|           |                  | 047 ⇔ 064 | Weiß 3                                   |
|           |                  | 065 ⇔ 082 | Weiß 4                                   |
|           |                  | 083 ⇔ 100 | Weiß 5                                   |
|           |                  | 101 ⇔ 118 | Weiß 6                                   |
|           |                  | 119 ⇔ 136 | Weiß 7                                   |
|           |                  | 137 ⇔ 154 | Weiß 8                                   |
|           |                  | 155 ⇔ 172 | Weiß 9                                   |
|           |                  | 173 ⇔ 190 | Weiß 10                                  |
|           |                  | 191 ⇔ 208 | Weiß 11                                  |
|           |                  | 209 ⇔ 226 | Weiß 12                                  |
|           |                  | 227 ⇔ 244 | Weiß 13                                  |
| 245 ⇔ 255 | Weiß 14          |           |  |
| 8         | Stroboskop       | 000 ⇔ 009 | Keine Funktion                           |
|           |                  | 010 ⇔ 099 | Stroboskop, von langsam nach schnell     |
|           |                  | 100 ⇔ 109 | Keine Funktion                           |
|           |                  | 110 ⇔ 179 | Pulse-Stroboskop, langsam nach schnell   |
|           |                  | 180 ⇔ 189 | Keine Funktion                           |
|           |                  | 190 ⇔ 255 | Zufalls-Stroboskop, langsam nach schnell |

## 1 RGB (3 Kanäle)

| Kanal | Funktion | Wert      | Prozent/Einstellung |
|-------|----------|-----------|---------------------|
| 1     | Rot      | 000 ⇔ 255 | 0–100%              |
| 2     | Grün     | 000 ⇔ 255 | 0–100%              |
| 3     | Blau     | 000 ⇔ 255 | 0–100%              |

## Over deze handleiding

De COLORado Batten 72X Beknopte Handleiding (BH) bevat basisinformatie over het product, zoals aansluiting, montage, menu-opties en DMX-waarden. Download de gebruikershandleiding op [www.chauvetprofessional.com](http://www.chauvetprofessional.com) voor meer informatie.

### Disclaimer

De informatie en specificaties in deze BH kunnen zonder voorafgaande kennisgeving worden gewijzigd.

### BEPERKTE GARANTIE

#### GA NAAR ONZE WEBSITE VOOR REGISTRATIE VAN DE GARANTIE EN DE VOLLEDIGE ALGEMENE VOORWAARDEN.

Voor klanten in de Verenigde Staten en Mexico: [www.chauvetlighting.com/warranty-registration](http://www.chauvetlighting.com/warranty-registration).

Voor klanten in het Verenigd Koninkrijk, Ierland, België, Nederland, Luxemburg, Frankrijk en Duitsland: [www.chauvetlighting.eu/warranty-registration](http://www.chauvetlighting.eu/warranty-registration).

Chauvet garandeert dat dit product bij normaal gebruik vrij zal blijven van defecten in materiaal en vakmanschap, voor de opgegeven periode en onder voorbehoud van de uitzonderingen en beperkingen die zijn uiteengezet in de volledige beperkte garantie op onze website. Deze garantie geldt uitsluitend voor de oorspronkelijke koper van het product en is niet overdraagbaar. Om onder deze garantie rechten uit te oefenen, moet u een aankoopbewijs overleggen in de vorm van een origineel verkoopbewijs van een geautoriseerde dealer, waarop de naam van het product en de aankoopdatum zichtbaar zijn. ER ZIJN GEEN ANDERE EXPLICIETE OF IMPLICIETE GARANTIES. Deze garantie geeft u specifieke wettelijke rechten. Mogelijk heeft u ook andere rechten die van staat tot staat en van land tot land verschillen. Deze garantie is uitsluitend geldig in de Verenigde Staten, het Verenigd Koninkrijk, Ierland, België, Nederland, Luxemburg, Frankrijk, Duitsland en Mexico. Neem contact op met uw lokale verkoper voor garantievoorwaarden in andere landen.

### Veiligheidsinstructies

- Open het product NIET. Het bevat geen te onderhouden onderdelen.
- Om onnodige slijtage te elimineren en zijn levensduur te verlengen, gedurende perioden wanneer het product niet wordt gebruikt, moet u het product van de stroom afsluiten door een aardlekschakelaar om te zetten of door het te ontkoppelen.
- KIJK NIET in de lichtbron wanneer het apparaat is ingeschakeld.
- LET OP: De behuizing van dit product kan heet zijn wanneer het in bedrijf is.
- Monteer dit product op een plek met voldoende ventilatie, ten minste 50 cm van de aangrenzende oppervlakken.
- Plaats geen ontvlambaar materiaal binnen 50 cm van dit product als het in gebruik is of is aangesloten op het stopcontact.
- LET OP: Bij het verplaatsen van het product uit extreme omgevingen, (bijv. koude vrachtwagen naar warme, vochtige balzaal) kan er condensvorming optreden op de elektronica van het product. Om storingen te vermijden moet het product volledig kunnen acclimatiseren aan de omgeving voordat het op stroom wordt aangesloten.
- Niet voor permanente buiteninstallatie in locaties met extreme weersomstandigheden. Dit is met inbegrip van, maar niet beperkt tot:
  - Blootstelling aan een marien/zout milieu (binnen 5 km van zout water).
  - Waar de gebruikelijke hoge of lage temperaturen van de locatie de temperatuurbereiken in deze handleiding overschrijden.
  - Locaties die kunnen overstromen of onder sneeuw begraven kunnen worden.
  - Andere gebieden waar het product blootstaat aan extreme straling of bijtende substanties.
- GEBRUIK een veiligheidskabel bij het boven het hoofd plaatsen van dit product.
- Dit product NIET onderdopen (IP65). Regelmatig gebruik buitenshuis is prima.
- Gebruik dit product NIET als de behuizing, lenzen of kabels beschadigd lijken.
- Sluit dit product NIET aan op een dimmer of een regelweerstand.
- Sluit dit product UITSLUITEND op een geaard en beveiligd stroomcircuit.
- Gebruik UITSLUITEND de ophang-/montagebeugel om dit product te dragen.
- Stop in het geval van ernstige operationele problemen onmiddellijk met het gebruik.
- De maximale omgevingstemperatuur bedraagt 45 °C. Gebruik dit product niet bij hogere temperaturen.

### Contact

Van buiten de VS, Verenigd Koninkrijk, Ierland, Benelux, Frankrijk, Duitsland of Mexico kunt u contact opnemen met de distributeur of om ondersteuning vragen dan wel het product retourneren. Raadpleeg [Contact Us](#) aan het einde van deze BH voor contactinformatie.

### Wat is inbegrepen

- COLORado Batten 72X met verblindings scherm
- Seetronic Powerkon IP65 stroomsnoer
- Omegabeugels
- Beknopte handleiding

## AC-stroom

Dit product heeft een voeding met automatisch bereik die werkt met een ingangsspanning van 100–240 VAC, 50/60 Hz.

### Power Linking

U kunt tot 10 COLORado Batten 72X-producten koppelen bij 120 V, 17 COLORado Solo Batten-producten koppelen bij 208 V, of 19 producten bij 230 V. Dit aantal niet overschrijden. Power Linking-snoeren kunnen apart aangeschaft worden.

### AC-stekker

| Aansluiting | Snoer (VS) | Snoer (Europa) | Schroefkleur |
|-------------|------------|----------------|--------------|
| AC Live     | Zwart      | Bruin          | Geel/messing |
| AC Neutraal | Wit        | Blauw          | Zilver       |
| AC Aarde    | Groen/geel | Groen/geel     | Groen        |



Om onnodige slijtage te elimineren en zijn levensduur te verlengen, gedurende perioden wanneer het product niet wordt gebruikt, moet u het product van de stroom afsluiten door een aardlekschakelaar om te zetten of door het te ontkoppelen.

## DMX-koppeling

De COLORado Batten 72X kan met een DMX-controller werken met een 5-pins DMX seriële verbinding. Op [www.chauvetprofessional.com](http://www.chauvetprofessional.com) is een DMX basishandleiding verkrijgbaar.

### DMX-aansluiting

De COLORado Batten 72X gebruikt een 5-pins DMX-gegevensverbinding voor haar 18 bedieningspersoonlijkheden in een bereik van 3-kanaals tot 43-kanaals in 1-cel modi en 3-cel modi:

|       | RGB | RGB EXT | RGBA | RGBA EXT | RGBAW | RGBAW EXT | RGBAW FIN | RGBAW FUL | HSIC |
|-------|-----|---------|------|----------|-------|-----------|-----------|-----------|------|
| 1-cel | 3   | 8       | 4    | 9        | 5     | 10        | 10        | 16        | 8    |
| 3-cel | 9   | 21      | 12   | 24       | 15    | 27        | 30        | 43        | 22   |

Zie de gebruikershandleiding om te verbinden en te configureren voor DMX-werking.

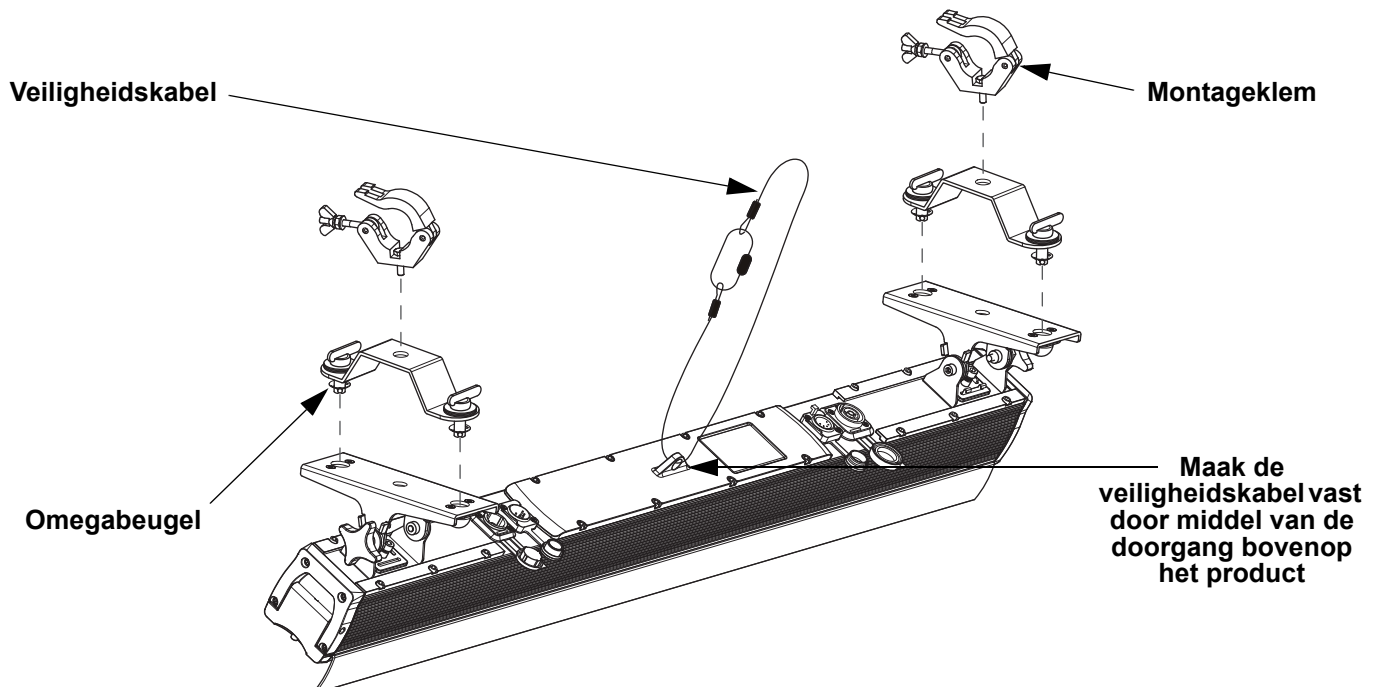
### RDM (apparaatbeheer op afstand)

Remote Device Management of RDM (apparaatbeheer op afstand) is een standaard die het voor DMX-apparaten mogelijk maakt om in twee richtingen te communiceren over bestaande DMX-kabels. De COLORado Batten 72X ondersteunt het RDM-protocol dat zorgt feedback toelaat bij de bewaking van wijzigingen aan de menu map-opties van. Download de gebruikershandleiding op [www.chauvetprofessional.com](http://www.chauvetprofessional.com) voor meer informatie.

## Montage

Lees alvorens dit product te monteren alle [Veiligheidsinstructies](#). Gebruik ten minste twee montagepunten per product. Controleer of de montageklem het gewicht van het product kan dragen. Ga voor onze Chauvet-serie montageklemmen naar <http://trusst.com/productcategory/truss-clamps/>.

### Montagediagram van het product



## Beschrijving bedieningspaneel

| Toets   | Functie  |
|---------|--|
| <MENU>  | Sluit het huidige menu of functie af   |
| <ENTER> | Activeert het huidige getoonde menu of plaatst de huidige geselecteerde waarde in de geselecteerde functie |
| <UP>    | Navigeert omhoog via het menu of verhoogt de numerieke waarde wanneer in een functie                       |
| <DOWN>  | Navigeert omlaag via het menu of verlaagt de numerieke waarde wanneer in een functie                       |

## Menu-map

| Hoofdniveau    | Programmeerniveaus  | Beschrijving  |
|----------------|---|---|
| Start Address  | 1–510*  | Selecteert het start-adres (*hoogste kanaal beperkt tot de gekozen persoonlijkheid)                           |
|                | 1 RGB   | 3-kanaals: RGB  |
| Personality    | 1 RGB EXT   | 8-kanaals: 16-bits dimmer, RGB, kleur macro, kleurtemperatuur, stroboscoop                                    |
|                | 1 RGBA  | 4-kanaals: RGBA   |
|                | 1 RGBA EXT  | 9-kanaals: 16-bits dimmer, RGBA, kleur macro, kleurtemperatuur, stroboscoop                                   |
|                | 1 RGBAW   | 5-kanaals: RGBAW  |
|                | 1 RGBAW EXT   | 10-kanaals: 16-bits dimmer, RGBAW, kleur macro, kleurtemperatuur, stroboscoop                                 |
|                | 1 RGBAW FIN   | 10-kanaals: 16-bits RGBAW   |
|                | 1 RGBAW FUL   | 16-kanaals: 16-bits dimmer, 16-bits RGBAW, kleur macro, kleurtemperatuur, stroboscoop, dimmersnelheid         |
|                | 1 HSIC  | 8-kanaals: Dimmer, 16-bits tint, verzadiging, stroboscoop, kleur macro, kleurtemperatuur, dimmersnelheid      |
|                | 3 RGB   | 9-kanaals (3-cel): RGB  |
|                | 3 RGB EXT   | 21-kanaals (3-cel): 16-bits dimmer, RGB, kleur macro, kleurtemperatuur, stroboscoop                           |
|                | 3 RGBA  | 12-kanaals (3-cel): RGBA  |
|                | 3 RGBA EXT  | 24-kanaals (3-cel): 16-bits dimmer, RGBA, kleur macro, kleurtemperatuur, stroboscoop                          |
|                | 3 RGBAW   | 15-kanaals (3-cel): RGBAW   |
|                | 3 RGBAW EXT   | 27-kanaals (3-cel): 16-bits dimmer, RGBAW, kleur macro, kleurtemperatuur, stroboscoop                         |
|                | 3 RGBAW FIN   | 30-kanaals (3-cel): 16-bits RGBAW   |
|                | 3 RGBAW FUL   | 43-kanaals (3-cel): 16-bits dimmer, 16-bits RGBAW, kleur macro, kleurtemperatuur, stroboscoop, dimmersnelheid |
| 3 HSIC         | 22-kanaals (3-cel): dimmer, 16-bits tint, verzadiging, stroboscoop, kleur macro, kleurtemperatuur, dimmersnelheid |   |
| Output Setting | Power Mode  | Voorkomt dat de maximale temperatuur overschreden wordt door de intensiteit aan te passen                     |
|                | Steady Mode   | Gebruikt een lager intensiteit bij een constante niveau, om de maximale temperatuur niet te overschrijden     |
|                | Legacy Mode   | Komt overeen met de intensiteit van de COLORado Batten 72 Tour  |



| Hoofdniveau   | Programmeerniveaus              |                    |               | Beschrijving   |  |
|---------------|---------------------------------|--------------------|---------------|--|--|
| Static Colors | Preset Colors                   | Color 1–14         | Dimmer 0–100% | Vooraf ingestelde statische kleuren  |  |
|               | CCT Temper                      | White 1–14         |               | Vooraf ingestelde kleurtemperaturen  |  |
|               | RGBAW                           | Red                | Red 0–255     | Combineert rood, groen, blauw, amber en wit om een aangepaste kleur te genereren |  |
|               |                                 | Green              | Green 0–255   |  |  |
|               |                                 | Blue               | Blue 0–255    |  |  |
| Amber         |                                 | Amber 0–255        |               |  |  |
| White         | White 0–255                     |                    |               |  |  |
| Auto Programs | Run                             | AUTO.1–10          | Speed 0–100   | Selecteert automatische programma's en automatische programmasnelheid            |  |
|               |                                 | Program 1–10       |               |  |  |
|               | Edit                            | Program 1–10       | SCENE-01–30   | Red 0–255  | Selecteert en bewerkt een instelbare programma |
|               |                                 |                    |               | Green 0–255  |  |
|               |                                 |                    |               | Blue 0–255   |  |
| Amber 0–255   |                                 |                    |               |  |  |
| White 0–255   |                                 |                    |               |  |  |
| Master/Slave  | Master                          |                    |               | DMX-modus (Master)   |  |
|               | Slave                           |                    |               | Slave-modus  |  |
| Dimmer Mode   | OFF                             |                    |               | Lineaire dimmer  |  |
|               | DIM1–4                          |                    |               | Dimprofielen van <b>DIM1</b> (snel) tot <b>DIM4</b> (langzaam)                   |  |
| LED Frequency | 600Hz                           |                    |               | Selecteert de PWM-uitgangsfrequentie   |  |
|               | 1200Hz                          |                    |               |  |  |
|               | 2000Hz                          |                    |               |  |  |
|               | 2400Hz                          |                    |               |  |  |
|               | 4000Hz                          |                    |               |  |  |
|               | 6000Hz                          |                    |               |  |  |
|               | 25000Hz                         |                    |               |  |  |
| Cell Order    | 1 – 3                           |                    |               | Stelt de volgorde van de cellen in   |  |
|               | 3 – 1                           |                    |               |  |  |
| Setting       | ****<br>(Toegangscode invullen) | DMX Error/<br>Loss | Hold Last     | Gaat verder met de laatste opdracht na verlies van DMX-regeling                  |  |
|               |                                 |                    | Blackout      | Verduistert de product na verlies van DMX  |  |
|               |                                 | Disp<br>TimeOut    | On            | De backlight van de display is altijd aan  |  |
|               |                                 |                    | 10s           | Schakelt de backlight van de display uit na 10s van inactiviteit                 |  |
|               |                                 |                    | 20s           | Schakelt de backlight van de display uit na 20s van inactiviteit                 |  |
|               |                                 |                    | 30s           | Schakelt de backlight van de display uit na 30s van inactiviteit                 |  |
|               |                                 | Disp<br>Passcode   | On            | Vergrendelt het display (toegangscode is <UP>, <DOWN>, <UP>, <DOWN>, <ENTER>)    |  |
| Off           |                                 |                    |               |  |  |
| Information   | Fixture Hours                   |                    | ___ Hours     | Toont het totale aantal producturen  |  |
|               | Firmware Vers                   |                    | V__           | Toont de geïnstalleerde softwareversie   |  |
|               | RDM                             | UID                |               | Geeft de huidige UID   |  |
|               |                                 | LABEL              | Batten 72X    |  | Toont de productnaam voor RDM                  |
| Factory Reset | No                              |                    |               | Herstellen naar de fabrieksstandaard   |  |
|               | Yes                             |                    |               |  |  |

NL

**3-Cel DMX-waarden****3 HSIC (22 kanalen)**

| Kanaal    | Functie   | Waarde    | Percentage/Instelling                               |
|-----------|---|-----------|---|
| 1         | Dimmer 1  | 000 ⇄ 255 | 0–100%  |
| 2         | Tint 1  | 000 ⇄ 255 | 0–100%  |
| 3         | Fijne tint 1  | 000 ⇄ 255 | 0–100%  |
| 4         | Verzadiging 1                                       | 000 ⇄ 255 | 0–100%  |
| 5         | Stroboscoop 1                                       | 000 ⇄ 009 | Geen functie  |
|           |   | 010 ⇄ 099 | Stroboscoop, langzaam naar snel                     |
|           |   | 100 ⇄ 109 | Geen functie  |
|           |   | 110 ⇄ 179 | Impulse stroboscoop, langzaam naar snel             |
|           |   | 180 ⇄ 189 | Geen functie  |
|           |   | 190 ⇄ 255 | Willekeurige stroboscoop, langzaam naar snel        |
| 6         | Kleur macro's 1                                     | 000 ⇄ 010 | Geen functie  |
|           |   | 011 ⇄ 034 | R: 100%    G: 0–100%    B: 0%    A: 0%    W: 0%     |
|           |   | 035 ⇄ 059 | R: 100–0%    G: 100%    B: 0%    A: 0%    W: 0%     |
|           |   | 060 ⇄ 084 | R: 0%    G: 100%    B: 0–100%    A: 0%    W: 0%     |
|           |   | 084 ⇄ 109 | R: 0%    G: 100–0%    B: 100%    A: 0%    W: 0%     |
|           |   | 110 ⇄ 134 | R: 0–100%    G: 0%    B: 100%    A: 0%    W: 0%     |
|           |   | 134 ⇄ 159 | R: 100%    G: 0%    B: 100–0%    A: 0%    W: 0%     |
|           |   | 160 ⇄ 184 | R: 100%    G: 0–100%    B: 0–100%    A: 0%    W: 0% |
|           |   | 184 ⇄ 209 | R: 100–0%    G: 100–0%    B: 100%    A: 0%    W: 0% |
| 210 ⇄ 255 | R: 100%    G: 100%    B: 100%    A: 100%    W: 100% |           |   |
| 7         | Kleurtemperaturen 1                                 | 000 ⇄ 010 | Geen functie  |
|           |   | 011 ⇄ 028 | Wit 1   |
|           |   | 029 ⇄ 046 | Wit 2   |
|           |   | 047 ⇄ 064 | Wit 3   |
|           |   | 065 ⇄ 082 | Wit 4   |
|           |   | 083 ⇄ 100 | Wit 5   |
|           |   | 101 ⇄ 118 | Wit 6   |
|           |   | 119 ⇄ 136 | Wit 7   |
|           |   | 137 ⇄ 154 | Wit 8   |
|           |   | 155 ⇄ 172 | Wit 9   |
|           |   | 173 ⇄ 190 | Wit 10  |
|           |   | 191 ⇄ 208 | Wit 11  |
|           |   | 209 ⇄ 226 | Wit 12  |
|           |   | 227 ⇄ 244 | Wit 13  |
| 245 ⇄ 255 | Wit 14  |           |   |
| 8         | Dimmer 2  | 000 ⇄ 255 | 0–100%  |
| 9         | Tint 2  | 000 ⇄ 255 | 0–100%  |
| 10        | Fijne tint 2  | 000 ⇄ 255 | 0–100%  |
| 11        | Verzadiging 2                                       | 000 ⇄ 255 | 0–100%  |
| 12        | Stroboscoop 2                                       | 000 ⇄ 009 | Geen functie  |
|           |   | 010 ⇄ 099 | Stroboscoop, langzaam naar snel                     |
|           |   | 100 ⇄ 109 | Geen functie  |
|           |   | 110 ⇄ 179 | Impulse stroboscoop, langzaam naar snel             |
|           |   | 180 ⇄ 189 | Geen functie  |
|           |   | 190 ⇄ 255 | Willekeurige stroboscoop, langzaam naar snel        |
| 13        | Kleur macro's 2                                     | 000 ⇄ 010 | Geen functie  |
|           |   | 011 ⇄ 034 | R: 100%    G: 0–100%    B: 0%    A: 0%    W: 0%     |
|           |   | 035 ⇄ 059 | R: 100–0%    G: 100%    B: 0%    A: 0%    W: 0%     |
|           |   | 060 ⇄ 084 | R: 0%    G: 100%    B: 0–100%    A: 0%    W: 0%     |
|           |   | 084 ⇄ 109 | R: 0%    G: 100–0%    B: 100%    A: 0%    W: 0%     |
|           |   | 110 ⇄ 134 | R: 0–100%    G: 0%    B: 100%    A: 0%    W: 0%     |
|           |   | 134 ⇄ 159 | R: 100%    G: 0%    B: 100–0%    A: 0%    W: 0%     |
|           |   | 160 ⇄ 184 | R: 100%    G: 0–100%    B: 0–100%    A: 0%    W: 0% |
|           |   | 184 ⇄ 209 | R: 100–0%    G: 100–0%    B: 100%    A: 0%    W: 0% |
| 210 ⇄ 255 | R: 100%    G: 100%    B: 100%    A: 100%    W: 100% |           |   |

| Kanaal    | Functie                                      | Waarde    | Percentage/Instelling                                      |
|-----------|--|-----------|--|
| 14        | Kleurtemperaturen 2                          | 000 ⇔ 010 | Geen functie   |
|           |  | 011 ⇔ 028 | Wit 1  |
|           |  | 029 ⇔ 046 | Wit 2  |
|           |  | 047 ⇔ 064 | Wit 3  |
|           |  | 065 ⇔ 082 | Wit 4  |
|           |  | 083 ⇔ 100 | Wit 5  |
|           |  | 101 ⇔ 118 | Wit 6  |
|           |  | 119 ⇔ 136 | Wit 7  |
|           |  | 137 ⇔ 154 | Wit 8  |
|           |  | 155 ⇔ 172 | Wit 9  |
|           |  | 173 ⇔ 190 | Wit 10   |
|           |  | 191 ⇔ 208 | Wit 11   |
|           |  | 209 ⇔ 226 | Wit 12   |
|           |  | 227 ⇔ 244 | Wit 13   |
| 245 ⇔ 255 | Wit 14                                       |           |  |
| 15        | Dimmer 3                                     | 000 ⇔ 255 | 0–100%   |
| 16        | Tint 3                                       | 000 ⇔ 255 | 0–100%   |
| 17        | Fijne tint 3                                 | 000 ⇔ 255 | 0–100%   |
| 18        | Verzadiging 3                                | 000 ⇔ 255 | 0–100%   |
| 19        | Stroboscoop 3                                | 000 ⇔ 009 | Geen functie   |
|           |  | 010 ⇔ 099 | Stroboscoop, langzaam naar snel                            |
|           |  | 100 ⇔ 109 | Geen functie   |
|           |  | 110 ⇔ 179 | Impulse stroboscoop, langzaam naar snel                    |
|           |  | 180 ⇔ 189 | Geen functie   |
| 190 ⇔ 255 | Willekeurige stroboscoop, langzaam naar snel |           |  |
| 20        | Kleur macro's 3                              | 000 ⇔ 010 | Geen functie   |
|           |  | 011 ⇔ 034 | R: 100% G: 0–100% B: 0% A: 0% W: 0%                        |
|           |  | 035 ⇔ 059 | R: 100–0% G: 100% B: 0% A: 0% W: 0%                        |
|           |  | 060 ⇔ 084 | R: 0% G: 100% B: 0–100% A: 0% W: 0%                        |
|           |  | 084 ⇔ 109 | R: 0% G: 100–0% B: 100% A: 0% W: 0%                        |
|           |  | 110 ⇔ 134 | R: 0–100% G: 0% B: 100% A: 0% W: 0%                        |
|           |  | 134 ⇔ 159 | R: 100% G: 0% B: 100–0% A: 0% W: 0%                        |
|           |  | 160 ⇔ 184 | R: 100% G: 0–100% B: 0–100% A: 0% W: 0%                    |
|           |  | 184 ⇔ 209 | R: 100–0% G: 100–0% B: 100% A: 0% W: 0%                    |
|           |  | 210 ⇔ 255 | R: 100% G: 100% B: 100% A: 100% W: 100%                    |
| 21        | Kleurtemperaturen 3                          | 000 ⇔ 010 | Geen functie   |
|           |  | 011 ⇔ 028 | Wit 1  |
|           |  | 029 ⇔ 046 | Wit 2  |
|           |  | 047 ⇔ 064 | Wit 3  |
|           |  | 065 ⇔ 082 | Wit 4  |
|           |  | 083 ⇔ 100 | Wit 5  |
|           |  | 101 ⇔ 118 | Wit 6  |
|           |  | 119 ⇔ 136 | Wit 7  |
|           |  | 137 ⇔ 154 | Wit 8  |
|           |  | 155 ⇔ 172 | Wit 9  |
|           |  | 173 ⇔ 190 | Wit 10   |
|           |  | 191 ⇔ 208 | Wit 11   |
|           |  | 209 ⇔ 226 | Wit 12   |
|           |  | 227 ⇔ 244 | Wit 13   |
| 245 ⇔ 255 | Wit 14                                       |           |  |
| 22        | Dimmersnelheid                               | 000 ⇔ 009 | Voorinstelling van de dimmersnelheid vanaf het displaymenu |
|           |  | 010 ⇔ 029 | Dimmer snelheidsmodus uit                                  |
|           |  | 030 ⇔ 069 | Dimmer snelheidsmodus 1 (snel)                             |
|           |  | 070 ⇔ 129 | Dimmer snelheidsmodus 2                                    |
|           |  | 130 ⇔ 189 | Dimmer snelheidsmodus 3                                    |
|           |  | 190 ⇔ 255 | Dimmer snelheidsmodus 4 (langzaam)                         |

NL

## 3 RGBAW FUL (43 kanalen)

| Kanaal    | Functie                                 | Waarde    | Percentage/Instelling                        |
|-----------|---|-----------|--|
| 1         | Dimmer                                  | 000 ⇔ 255 | 0–100%                                       |
| 2         | Fijne dimmer                            | 000 ⇔ 255 | 0–100%                                       |
| 3         | Rood 1                                  | 000 ⇔ 255 | 0–100%                                       |
| 4         | Fijn rood 1                             | 000 ⇔ 255 | 0–100%                                       |
| 5         | Groen 1                                 | 000 ⇔ 255 | 0–100%                                       |
| 6         | Fijn groen 1                            | 000 ⇔ 255 | 0–100%                                       |
| 7         | Blauw 1                                 | 000 ⇔ 255 | 0–100%                                       |
| 8         | Fijn blauw 1                            | 000 ⇔ 255 | 0–100%                                       |
| 9         | Amber 1                                 | 000 ⇔ 255 | 0–100%                                       |
| 10        | Fijn amber 1                            | 000 ⇔ 255 | 0–100%                                       |
| 11        | Wit 1                                   | 000 ⇔ 255 | 0–100%                                       |
| 12        | Fijn wit 1                              | 000 ⇔ 255 | 0–100%                                       |
| 13        | Kleur macro's 1                         | 000 ⇔ 010 | Geen functie                                 |
|           |   | 011 ⇔ 034 | R: 100% G: 0–100% B: 0% A: 0% W: 0%          |
|           |   | 035 ⇔ 059 | R: 100–0% G: 100% B: 0% A: 0% W: 0%          |
|           |   | 060 ⇔ 084 | R: 0% G: 100% B: 0–100% A: 0% W: 0%          |
|           |   | 084 ⇔ 109 | R: 0% G: 100–0% B: 100% A: 0% W: 0%          |
|           |   | 110 ⇔ 134 | R: 0–100% G: 0% B: 100% A: 0% W: 0%          |
|           |   | 134 ⇔ 159 | R: 100% G: 0% B: 100–0% A: 0% W: 0%          |
|           |   | 160 ⇔ 184 | R: 100% G: 0–100% B: 0–100% A: 0% W: 0%      |
|           |   | 184 ⇔ 209 | R: 100–0% G: 100–0% B: 100% A: 0% W: 0%      |
| 210 ⇔ 255 | R: 100% G: 100% B: 100% A: 100% W: 100% |           |  |
| 14        | Kleurtemperaturen 1                     | 000 ⇔ 010 | Geen functie                                 |
|           |   | 011 ⇔ 028 | Wit 1  |
|           |   | 029 ⇔ 046 | Wit 2  |
|           |   | 047 ⇔ 064 | Wit 3  |
|           |   | 065 ⇔ 082 | Wit 4  |
|           |   | 083 ⇔ 100 | Wit 5  |
|           |   | 101 ⇔ 118 | Wit 6  |
|           |   | 119 ⇔ 136 | Wit 7  |
|           |   | 137 ⇔ 154 | Wit 8  |
|           |   | 155 ⇔ 172 | Wit 9  |
|           |   | 173 ⇔ 190 | Wit 10                                       |
|           |   | 191 ⇔ 208 | Wit 11                                       |
|           |   | 209 ⇔ 226 | Wit 12                                       |
|           |   | 227 ⇔ 244 | Wit 13                                       |
| 245 ⇔ 255 | Wit 14                                  |           |  |
| 15        | Stroboscoop 1                           | 000 ⇔ 009 | Geen functie                                 |
|           |   | 010 ⇔ 099 | Stroboscoop, langzaam naar snel              |
|           |   | 100 ⇔ 109 | Geen functie                                 |
|           |   | 110 ⇔ 179 | Impulse stroboscoop, langzaam naar snel      |
|           |   | 180 ⇔ 189 | Geen functie                                 |
|           |   | 190 ⇔ 255 | Willekeurige stroboscoop, langzaam naar snel |
| 16        | Rood 2                                  | 000 ⇔ 255 | 0–100%                                       |
| 17        | Fijn rood 2                             | 000 ⇔ 255 | 0–100%                                       |
| 18        | Groen 2                                 | 000 ⇔ 255 | 0–100%                                       |
| 19        | Fijn groen 2                            | 000 ⇔ 255 | 0–100%                                       |
| 20        | Blauw 2                                 | 000 ⇔ 255 | 0–100%                                       |
| 21        | Fijn blauw 2                            | 000 ⇔ 255 | 0–100%                                       |
| 22        | Amber 2                                 | 000 ⇔ 255 | 0–100%                                       |
| 23        | Fijn amber 2                            | 000 ⇔ 255 | 0–100%                                       |
| 24        | Wit 2                                   | 000 ⇔ 255 | 0–100%                                       |
| 25        | Fijn wit 2                              | 000 ⇔ 255 | 0–100%                                       |

| Kanaal    | Functie             | Waarde    | Percentage/Instelling                        |
|-----------|---------------------|-----------|--|
| 26        | Kleur macro's 2     | 000 ⇔ 010 | Geen functie                                 |
|           |                     | 011 ⇔ 034 | R: 100% G: 0-100% B: 0% A: 0% W: 0%          |
|           |                     | 035 ⇔ 059 | R: 100-0% G: 100% B: 0% A: 0% W: 0%          |
|           |                     | 060 ⇔ 084 | R: 0% G: 100% B: 0-100% A: 0% W: 0%          |
|           |                     | 084 ⇔ 109 | R: 0% G: 100-0% B: 100% A: 0% W: 0%          |
|           |                     | 110 ⇔ 134 | R: 0-100% G: 0% B: 100% A: 0% W: 0%          |
|           |                     | 134 ⇔ 159 | R: 100% G: 0% B: 100-0% A: 0% W: 0%          |
|           |                     | 160 ⇔ 184 | R: 100% G: 0-100% B: 0-100% A: 0% W: 0%      |
|           |                     | 184 ⇔ 209 | R: 100-0% G: 100-0% B: 100% A: 0% W: 0%      |
|           |                     | 210 ⇔ 255 | R: 100% G: 100% B: 100% A: 100% W: 100%      |
| 27        | Kleurtemperaturen 2 | 000 ⇔ 010 | Geen functie                                 |
|           |                     | 011 ⇔ 028 | Wit 1  |
|           |                     | 029 ⇔ 046 | Wit 2  |
|           |                     | 047 ⇔ 064 | Wit 3  |
|           |                     | 065 ⇔ 082 | Wit 4  |
|           |                     | 083 ⇔ 100 | Wit 5  |
|           |                     | 101 ⇔ 118 | Wit 6  |
|           |                     | 119 ⇔ 136 | Wit 7  |
|           |                     | 137 ⇔ 154 | Wit 8  |
|           |                     | 155 ⇔ 172 | Wit 9  |
|           |                     | 173 ⇔ 190 | Wit 10                                       |
|           |                     | 191 ⇔ 208 | Wit 11                                       |
|           |                     | 209 ⇔ 226 | Wit 12                                       |
|           |                     | 227 ⇔ 244 | Wit 13                                       |
| 245 ⇔ 255 | Wit 14              |           |  |
| 28        | Stroboscoop 2       | 000 ⇔ 009 | Geen functie                                 |
|           |                     | 010 ⇔ 099 | Stroboscoop, langzaam naar snel              |
|           |                     | 100 ⇔ 109 | Geen functie                                 |
|           |                     | 110 ⇔ 179 | Impulse stroboscoop, langzaam naar snel      |
|           |                     | 180 ⇔ 189 | Geen functie                                 |
|           |                     | 190 ⇔ 255 | Willekeurige stroboscoop, langzaam naar snel |
| 29        | Rood 3              | 000 ⇔ 255 | 0-100%                                       |
| 30        | Fijn rood 3         | 000 ⇔ 255 | 0-100%                                       |
| 31        | Groen 3             | 000 ⇔ 255 | 0-100%                                       |
| 32        | Fijn groen 3        | 000 ⇔ 255 | 0-100%                                       |
| 33        | Blauw 3             | 000 ⇔ 255 | 0-100%                                       |
| 34        | Fijn blauw 3        | 000 ⇔ 255 | 0-100%                                       |
| 35        | Amber 3             | 000 ⇔ 255 | 0-100%                                       |
| 36        | Fijn amber 3        | 000 ⇔ 255 | 0-100%                                       |
| 37        | Wit 3               | 000 ⇔ 255 | 0-100%                                       |
| 38        | Fijn wit 3          | 000 ⇔ 255 | 0-100%                                       |
| 39        | Kleur macro's 3     | 000 ⇔ 010 | Geen functie                                 |
|           |                     | 011 ⇔ 034 | R: 100% G: 0-100% B: 0% A: 0% W: 0%          |
|           |                     | 035 ⇔ 059 | R: 100-0% G: 100% B: 0% A: 0% W: 0%          |
|           |                     | 060 ⇔ 084 | R: 0% G: 100% B: 0-100% A: 0% W: 0%          |
|           |                     | 084 ⇔ 109 | R: 0% G: 100-0% B: 100% A: 0% W: 0%          |
|           |                     | 110 ⇔ 134 | R: 0-100% G: 0% B: 100% A: 0% W: 0%          |
|           |                     | 134 ⇔ 159 | R: 100% G: 0% B: 100-0% A: 0% W: 0%          |
|           |                     | 160 ⇔ 184 | R: 100% G: 0-100% B: 0-100% A: 0% W: 0%      |
|           |                     | 184 ⇔ 209 | R: 100-0% G: 100-0% B: 100% A: 0% W: 0%      |
|           |                     | 210 ⇔ 255 | R: 100% G: 100% B: 100% A: 100% W: 100%      |

| Kanaal    | Functie             | Waarde    | Percentage/Instelling                                      |
|-----------|---------------------|-----------|--|
| 40        | Kleurtemperaturen 3 | 000 ⇔ 010 | Geen functie   |
|           |                     | 011 ⇔ 028 | Wit 1  |
|           |                     | 029 ⇔ 046 | Wit 2  |
|           |                     | 047 ⇔ 064 | Wit 3  |
|           |                     | 065 ⇔ 082 | Wit 4  |
|           |                     | 083 ⇔ 100 | Wit 5  |
|           |                     | 101 ⇔ 118 | Wit 6  |
|           |                     | 119 ⇔ 136 | Wit 7  |
|           |                     | 137 ⇔ 154 | Wit 8  |
|           |                     | 155 ⇔ 172 | Wit 9  |
|           |                     | 173 ⇔ 190 | Wit 10   |
|           |                     | 191 ⇔ 208 | Wit 11   |
|           |                     | 209 ⇔ 226 | Wit 12   |
|           |                     | 227 ⇔ 244 | Wit 13   |
| 245 ⇔ 255 | Wit 14              |           |  |
| 41        | Stroboscoop 3       | 000 ⇔ 009 | Geen functie   |
|           |                     | 010 ⇔ 099 | Stroboscoop, langzaam naar snel                            |
|           |                     | 100 ⇔ 109 | Geen functie   |
|           |                     | 110 ⇔ 179 | Impulse stroboscoop, langzaam naar snel                    |
|           |                     | 180 ⇔ 189 | Geen functie   |
|           |                     | 190 ⇔ 255 | Willekeurige stroboscoop, langzaam naar snel               |
| 42        | Alles stroboscoop   | 000 ⇔ 009 | Geen functie   |
|           |                     | 010 ⇔ 099 | Stroboscoop, langzaam naar snel                            |
|           |                     | 100 ⇔ 109 | Geen functie   |
|           |                     | 110 ⇔ 179 | Impulse stroboscoop, langzaam naar snel                    |
|           |                     | 180 ⇔ 189 | Geen functie   |
|           |                     | 190 ⇔ 255 | Willekeurige stroboscoop, langzaam naar snel               |
| 43        | Dimmersnelheid      | 000 ⇔ 009 | Voorinstelling van de dimmersnelheid vanaf het displaymenu |
|           |                     | 010 ⇔ 029 | Dimmer snelheidsmodus uit                                  |
|           |                     | 030 ⇔ 069 | Dimmer snelheidsmodus 1 (snel)                             |
|           |                     | 070 ⇔ 129 | Dimmer snelheidsmodus 2                                    |
|           |                     | 130 ⇔ 189 | Dimmer snelheidsmodus 3                                    |
|           |                     | 190 ⇔ 255 | Dimmer snelheidsmodus 4 (langzaam)                         |

### 3 RGBAW FIN (30 kanalen)

| Kanaal | Functie      | Waarde    | Percentage/Instelling |
|--------|--------------|-----------|-----------------------|
| 1      | Rood 1       | 000 ⇔ 255 | 0–100%                |
| 2      | Fijn rood 1  | 000 ⇔ 255 | 0–100%                |
| 3      | Groen 1      | 000 ⇔ 255 | 0–100%                |
| 4      | Fijn groen 1 | 000 ⇔ 255 | 0–100%                |
| 5      | Blauw 1      | 000 ⇔ 255 | 0–100%                |
| 6      | Fijn blauw 1 | 000 ⇔ 255 | 0–100%                |
| 7      | Amber 1      | 000 ⇔ 255 | 0–100%                |
| 8      | Fijn amber 1 | 000 ⇔ 255 | 0–100%                |
| 9      | Wit 1        | 000 ⇔ 255 | 0–100%                |
| 10     | Fijn wit 1   | 000 ⇔ 255 | 0–100%                |
| 11     | Rood 2       | 000 ⇔ 255 | 0–100%                |
| 12     | Fijn rood 2  | 000 ⇔ 255 | 0–100%                |
| 13     | Groen 2      | 000 ⇔ 255 | 0–100%                |
| 14     | Fijn groen 2 | 000 ⇔ 255 | 0–100%                |
| 15     | Blauw 2      | 000 ⇔ 255 | 0–100%                |
| 16     | Fijn blauw 2 | 000 ⇔ 255 | 0–100%                |
| 17     | Amber 2      | 000 ⇔ 255 | 0–100%                |
| 18     | Fijn amber 2 | 000 ⇔ 255 | 0–100%                |
| 19     | Wit 2        | 000 ⇔ 255 | 0–100%                |

| Kanaal | Functie      | Waarde    | Percentage/Instelling |
|--------|--------------|-----------|-----------------------|
| 20     | Fijn wit 2   | 000 ⇔ 255 | 0–100%                |
| 21     | Rood 3       | 000 ⇔ 255 | 0–100%                |
| 22     | Fijn rood 3  | 000 ⇔ 255 | 0–100%                |
| 23     | Groen 3      | 000 ⇔ 255 | 0–100%                |
| 24     | Fijn groen 3 | 000 ⇔ 255 | 0–100%                |
| 25     | Blauw 3      | 000 ⇔ 255 | 0–100%                |
| 26     | Fijn blauw 3 | 000 ⇔ 255 | 0–100%                |
| 27     | Amber 3      | 000 ⇔ 255 | 0–100%                |
| 28     | Fijn amber 3 | 000 ⇔ 255 | 0–100%                |
| 29     | Wit 3        | 000 ⇔ 255 | 0–100%                |
| 30     | Fijn wit 3   | 000 ⇔ 255 | 0–100%                |

**3 RGBAW EXT (27 kanalen)**

| Kanaal    | Functie                                 | Waarde    | Percentage/Instelling                        |
|-----------|---|-----------|--|
| 1         | Dimmer                                  | 000 ⇔ 255 | 0–100%                                       |
| 2         | Fijne Dimmer                            | 000 ⇔ 255 | 0–100%                                       |
| 3         | Rood 1                                  | 000 ⇔ 255 | 0–100%                                       |
| 4         | Groen 1                                 | 000 ⇔ 255 | 0–100%                                       |
| 5         | Blauw 1                                 | 000 ⇔ 255 | 0–100%                                       |
| 6         | Amber 1                                 | 000 ⇔ 255 | 0–100%                                       |
| 7         | Wit 1                                   | 000 ⇔ 255 | 0–100%                                       |
| 8         | Kleur macro's 1                         | 000 ⇔ 010 | Geen functie                                 |
|           |   | 011 ⇔ 034 | R: 100% G: 0–100% B: 0% A: 0% W: 0%          |
|           |   | 035 ⇔ 059 | R: 100–0% G: 100% B: 0% A: 0% W: 0%          |
|           |   | 060 ⇔ 084 | R: 0% G: 100% B: 0–100% A: 0% W: 0%          |
|           |   | 084 ⇔ 109 | R: 0% G: 100–0% B: 100% A: 0% W: 0%          |
|           |   | 110 ⇔ 134 | R: 0–100% G: 0% B: 100% A: 0% W: 0%          |
|           |   | 134 ⇔ 159 | R: 100% G: 0% B: 100–0% A: 0% W: 0%          |
|           |   | 160 ⇔ 184 | R: 100% G: 0–100% B: 0–100% A: 0% W: 0%      |
| 184 ⇔ 209 | R: 100–0% G: 100–0% B: 100% A: 0% W: 0% |           |  |
| 210 ⇔ 255 | R: 100% G: 100% B: 100% A: 100% W: 100% |           |  |
| 9         | Kleurtemperaturen 1                     | 000 ⇔ 010 | Geen functie                                 |
|           |   | 011 ⇔ 028 | Wit 1  |
|           |   | 029 ⇔ 046 | Wit 2  |
|           |   | 047 ⇔ 064 | Wit 3  |
|           |   | 065 ⇔ 082 | Wit 4  |
|           |   | 083 ⇔ 100 | Wit 5  |
|           |   | 101 ⇔ 118 | Wit 6  |
|           |   | 119 ⇔ 136 | Wit 7  |
|           |   | 137 ⇔ 154 | Wit 8  |
|           |   | 155 ⇔ 172 | Wit 9  |
|           |   | 173 ⇔ 190 | Wit 10                                       |
|           |   | 191 ⇔ 208 | Wit 11                                       |
|           |   | 209 ⇔ 226 | Wit 12                                       |
|           |   | 227 ⇔ 244 | Wit 13                                       |
| 245 ⇔ 255 | Wit 14                                  |           |  |
| 10        | Stroboscoop 1                           | 000 ⇔ 009 | Geen functie                                 |
|           |   | 010 ⇔ 099 | Stroboscoop, langzaam naar snel              |
|           |   | 100 ⇔ 109 | Geen functie                                 |
|           |   | 110 ⇔ 179 | Impulse stroboscoop, langzaam naar snel      |
|           |   | 180 ⇔ 189 | Geen functie                                 |
|           |   | 190 ⇔ 255 | Willekeurige stroboscoop, langzaam naar snel |
| 11        | Rood 2                                  | 000 ⇔ 255 | 0–100%                                       |
| 12        | Groen 2                                 | 000 ⇔ 255 | 0–100%                                       |
| 13        | Blauw 2                                 | 000 ⇔ 255 | 0–100%                                       |

| Kanaal    | Functie   | Waarde    | Percentage/Instelling                               |
|-----------|---|-----------|---|
| 14        | Amber 2   | 000 ⇄ 255 | 0–100%  |
| 15        | Wit 2   | 000 ⇄ 255 | 0–100%  |
| 16        | Kleur macro's 2                                     | 000 ⇄ 010 | Geen functie  |
|           |   | 011 ⇄ 034 | R: 100%    G: 0–100%    B: 0%    A: 0%    W: 0%     |
|           |   | 035 ⇄ 059 | R: 100–0%    G: 100%    B: 0%    A: 0%    W: 0%     |
|           |   | 060 ⇄ 084 | R: 0%    G: 100%    B: 0–100%    A: 0%    W: 0%     |
|           |   | 084 ⇄ 109 | R: 0%    G: 100–0%    B: 100%    A: 0%    W: 0%     |
|           |   | 110 ⇄ 134 | R: 0–100%    G: 0%    B: 100%    A: 0%    W: 0%     |
|           |   | 134 ⇄ 159 | R: 100%    G: 0%    B: 100–0%    A: 0%    W: 0%     |
|           |   | 160 ⇄ 184 | R: 100%    G: 0–100%    B: 0–100%    A: 0%    W: 0% |
|           |   | 184 ⇄ 209 | R: 100–0%    G: 100–0%    B: 100%    A: 0%    W: 0% |
| 210 ⇄ 255 | R: 100%    G: 100%    B: 100%    A: 100%    W: 100% |           |   |
| 17        | Kleurtemperaturen 2                                 | 000 ⇄ 010 | Geen functie  |
|           |   | 011 ⇄ 028 | Wit 1   |
|           |   | 029 ⇄ 046 | Wit 2   |
|           |   | 047 ⇄ 064 | Wit 3   |
|           |   | 065 ⇄ 082 | Wit 4   |
|           |   | 083 ⇄ 100 | Wit 5   |
|           |   | 101 ⇄ 118 | Wit 6   |
|           |   | 119 ⇄ 136 | Wit 7   |
|           |   | 137 ⇄ 154 | Wit 8   |
|           |   | 155 ⇄ 172 | Wit 9   |
|           |   | 173 ⇄ 190 | Wit 10  |
|           |   | 191 ⇄ 208 | Wit 11  |
|           |   | 209 ⇄ 226 | Wit 12  |
|           |   | 227 ⇄ 244 | Wit 13  |
|           |   | 245 ⇄ 255 | Wit 14  |
| 18        | Stroboscoop 2                                       | 000 ⇄ 009 | Geen functie  |
|           |   | 010 ⇄ 099 | Stroboscoop, langzaam naar snel                     |
|           |   | 100 ⇄ 109 | Geen functie  |
|           |   | 110 ⇄ 179 | Impulse stroboscoop, langzaam naar snel             |
|           |   | 180 ⇄ 189 | Geen functie  |
|           |   | 190 ⇄ 255 | Willekeurige stroboscoop, langzaam naar snel        |
| 19        | Rood 3  | 000 ⇄ 255 | 0–100%  |
| 20        | Groen 3   | 000 ⇄ 255 | 0–100%  |
| 21        | Blauw 3   | 000 ⇄ 255 | 0–100%  |
| 22        | Amber 3   | 000 ⇄ 255 | 0–100%  |
| 23        | Wit 3   | 000 ⇄ 255 | 0–100%  |
| 24        | Kleur macro's 3                                     | 000 ⇄ 010 | Geen functie  |
|           |   | 011 ⇄ 034 | R: 100%    G: 0–100%    B: 0%    A: 0%    W: 0%     |
|           |   | 035 ⇄ 059 | R: 100–0%    G: 100%    B: 0%    A: 0%    W: 0%     |
|           |   | 060 ⇄ 084 | R: 0%    G: 100%    B: 0–100%    A: 0%    W: 0%     |
|           |   | 084 ⇄ 109 | R: 0%    G: 100–0%    B: 100%    A: 0%    W: 0%     |
|           |   | 110 ⇄ 134 | R: 0–100%    G: 0%    B: 100%    A: 0%    W: 0%     |
|           |   | 134 ⇄ 159 | R: 100%    G: 0%    B: 100–0%    A: 0%    W: 0%     |
|           |   | 160 ⇄ 184 | R: 100%    G: 0–100%    B: 0–100%    A: 0%    W: 0% |
|           |   | 184 ⇄ 209 | R: 100–0%    G: 100–0%    B: 100%    A: 0%    W: 0% |
| 210 ⇄ 255 | R: 100%    G: 100%    B: 100%    A: 100%    W: 100% |           |   |



| Kanaal | Functie             | Waarde    | Percentage/Instelling                        |
|--------|---------------------|-----------|--|
| 25     | Kleurtemperaturen 3 | 000 ⇔ 010 | Geen functie                                 |
|        |                     | 011 ⇔ 028 | Wit 1  |
|        |                     | 029 ⇔ 046 | Wit 2  |
|        |                     | 047 ⇔ 064 | Wit 3  |
|        |                     | 065 ⇔ 082 | Wit 4  |
|        |                     | 083 ⇔ 100 | Wit 5  |
|        |                     | 101 ⇔ 118 | Wit 6  |
|        |                     | 119 ⇔ 136 | Wit 7  |
|        |                     | 137 ⇔ 154 | Wit 8  |
|        |                     | 155 ⇔ 172 | Wit 9  |
|        |                     | 173 ⇔ 190 | Wit 10                                       |
|        |                     | 191 ⇔ 208 | Wit 11                                       |
|        |                     | 209 ⇔ 226 | Wit 12                                       |
|        |                     | 227 ⇔ 244 | Wit 13                                       |
|        |                     | 245 ⇔ 255 | Wit 14                                       |
| 26     | Stroboscoop 3       | 000 ⇔ 009 | Geen functie                                 |
|        |                     | 010 ⇔ 099 | Stroboscoop, langzaam naar snel              |
|        |                     | 100 ⇔ 109 | Geen functie                                 |
|        |                     | 110 ⇔ 179 | Impulse stroboscoop, langzaam naar snel      |
|        |                     | 180 ⇔ 189 | Geen functie                                 |
|        |                     | 190 ⇔ 255 | Willekeurige stroboscoop, langzaam naar snel |
| 27     | Alles stroboscoop   | 000 ⇔ 009 | Geen functie                                 |
|        |                     | 010 ⇔ 099 | Stroboscoop, langzaam naar snel              |
|        |                     | 100 ⇔ 109 | Geen functie                                 |
|        |                     | 110 ⇔ 179 | Impulse stroboscoop, langzaam naar snel      |
|        |                     | 180 ⇔ 189 | Geen functie                                 |
|        |                     | 190 ⇔ 255 | Willekeurige stroboscoop, langzaam naar snel |

**3 RGBAW (15 kanalen)**

| Kanaal | Functie | Waarde    | Percentage/Instelling |
|--------|---------|-----------|-----------------------|
| 1      | Rood 1  | 000 ⇔ 255 | 0–100%                |
| 2      | Groen 1 | 000 ⇔ 255 | 0–100%                |
| 3      | Blauw 1 | 000 ⇔ 255 | 0–100%                |
| 4      | Amber 1 | 000 ⇔ 255 | 0–100%                |
| 5      | Wit 1   | 000 ⇔ 255 | 0–100%                |
| 6      | Rood 2  | 000 ⇔ 255 | 0–100%                |
| 7      | Groen 2 | 000 ⇔ 255 | 0–100%                |
| 8      | Blauw 2 | 000 ⇔ 255 | 0–100%                |
| 9      | Amber 2 | 000 ⇔ 255 | 0–100%                |
| 10     | Wit 2   | 000 ⇔ 255 | 0–100%                |
| 11     | Rood 3  | 000 ⇔ 255 | 0–100%                |
| 12     | Groen 3 | 000 ⇔ 255 | 0–100%                |
| 13     | Blauw 3 | 000 ⇔ 255 | 0–100%                |
| 14     | Amber 3 | 000 ⇔ 255 | 0–100%                |
| 15     | Wit 3   | 000 ⇔ 255 | 0–100%                |

**3 RGBA EXT (24 kanalen)**

| Kanaal | Functie      | Waarde    | Percentage/Instelling |
|--------|--------------|-----------|-----------------------|
| 1      | Dimmer       | 000 ⇔ 255 | 0–100%                |
| 2      | Fijne Dimmer | 000 ⇔ 255 | 0–100%                |
| 3      | Rood 1       | 000 ⇔ 255 | 0–100%                |
| 4      | Groen 1      | 000 ⇔ 255 | 0–100%                |
| 5      | Blauw 1      | 000 ⇔ 255 | 0–100%                |
| 6      | Amber 1      | 000 ⇔ 255 | 0–100%                |

| Kanaal | Functie             | Waarde    | Percentage/Instelling                        |
|--------|---------------------|-----------|--|
| 7      | Kleur macro's 1     | 000 ⇄ 010 | Geen functie                                 |
|        |                     | 011 ⇄ 034 | R: 100% G: 0-100% B: 0% A: 0% W: 0%          |
|        |                     | 035 ⇄ 059 | R: 100-0% G: 100% B: 0% A: 0% W: 0%          |
|        |                     | 060 ⇄ 084 | R: 0% G: 100% B: 0-100% A: 0% W: 0%          |
|        |                     | 084 ⇄ 109 | R: 0% G: 100-0% B: 100% A: 0% W: 0%          |
|        |                     | 110 ⇄ 134 | R: 0-100% G: 0% B: 100% A: 0% W: 0%          |
|        |                     | 134 ⇄ 159 | R: 100% G: 0% B: 100-0% A: 0% W: 0%          |
|        |                     | 160 ⇄ 184 | R: 100% G: 0-100% B: 0-100% A: 0% W: 0%      |
|        |                     | 184 ⇄ 209 | R: 100-0% G: 100-0% B: 100% A: 0% W: 0%      |
|        |                     | 210 ⇄ 255 | R: 100% G: 100% B: 100% A: 100% W: 100%      |
| 8      | Kleurtemperaturen 1 | 000 ⇄ 010 | Geen functie                                 |
|        |                     | 011 ⇄ 028 | Wit 1  |
|        |                     | 029 ⇄ 046 | Wit 2  |
|        |                     | 047 ⇄ 064 | Wit 3  |
|        |                     | 065 ⇄ 082 | Wit 4  |
|        |                     | 083 ⇄ 100 | Wit 5  |
|        |                     | 101 ⇄ 118 | Wit 6  |
|        |                     | 119 ⇄ 136 | Wit 7  |
|        |                     | 137 ⇄ 154 | Wit 8  |
|        |                     | 155 ⇄ 172 | Wit 9  |
|        |                     | 173 ⇄ 190 | Wit 10                                       |
|        |                     | 191 ⇄ 208 | Wit 11                                       |
|        |                     | 209 ⇄ 226 | Wit 12                                       |
|        |                     | 227 ⇄ 244 | Wit 13                                       |
|        |                     | 245 ⇄ 255 | Wit 14                                       |
| 9      | Stroboscoop 1       | 000 ⇄ 009 | Geen functie                                 |
|        |                     | 010 ⇄ 099 | Stroboscoop, langzaam naar snel              |
|        |                     | 100 ⇄ 109 | Geen functie                                 |
|        |                     | 110 ⇄ 179 | Impulse stroboscoop, langzaam naar snel      |
|        |                     | 180 ⇄ 189 | Geen functie                                 |
|        |                     | 190 ⇄ 255 | Willekeurige stroboscoop, langzaam naar snel |
| 10     | Rood 2              | 000 ⇄ 255 | 0-100%                                       |
| 11     | Groen 2             | 000 ⇄ 255 | 0-100%                                       |
| 12     | Blauw 2             | 000 ⇄ 255 | 0-100%                                       |
| 13     | Amber 2             | 000 ⇄ 255 | 0-100%                                       |
| 14     | Kleur macro's 2     | 000 ⇄ 010 | Geen functie                                 |
|        |                     | 011 ⇄ 034 | R: 100% G: 0-100% B: 0% A: 0% W: 0%          |
|        |                     | 035 ⇄ 059 | R: 100-0% G: 100% B: 0% A: 0% W: 0%          |
|        |                     | 060 ⇄ 084 | R: 0% G: 100% B: 0-100% A: 0% W: 0%          |
|        |                     | 084 ⇄ 109 | R: 0% G: 100-0% B: 100% A: 0% W: 0%          |
|        |                     | 110 ⇄ 134 | R: 0-100% G: 0% B: 100% A: 0% W: 0%          |
|        |                     | 134 ⇄ 159 | R: 100% G: 0% B: 100-0% A: 0% W: 0%          |
|        |                     | 160 ⇄ 184 | R: 100% G: 0-100% B: 0-100% A: 0% W: 0%      |
|        |                     | 184 ⇄ 209 | R: 100-0% G: 100-0% B: 100% A: 0% W: 0%      |
|        |                     | 210 ⇄ 255 | R: 100% G: 100% B: 100% A: 100% W: 100%      |

| Kanaal    | Functie             | Waarde    | Percentage/Instelling                        |
|-----------|---------------------|-----------|--|
| 15        | Kleurtemperaturen 2 | 000 ⇔ 010 | Geen functie                                 |
|           |                     | 011 ⇔ 028 | Wit 1  |
|           |                     | 029 ⇔ 046 | Wit 2  |
|           |                     | 047 ⇔ 064 | Wit 3  |
|           |                     | 065 ⇔ 082 | Wit 4  |
|           |                     | 083 ⇔ 100 | Wit 5  |
|           |                     | 101 ⇔ 118 | Wit 6  |
|           |                     | 119 ⇔ 136 | Wit 7  |
|           |                     | 137 ⇔ 154 | Wit 8  |
|           |                     | 155 ⇔ 172 | Wit 9  |
|           |                     | 173 ⇔ 190 | Wit 10                                       |
|           |                     | 191 ⇔ 208 | Wit 11                                       |
|           |                     | 209 ⇔ 226 | Wit 12                                       |
|           |                     | 227 ⇔ 244 | Wit 13                                       |
| 245 ⇔ 255 | Wit 14              |           |  |
| 16        | Stroboscoop 2       | 000 ⇔ 009 | Geen functie                                 |
|           |                     | 010 ⇔ 099 | Stroboscoop, langzaam naar snel              |
|           |                     | 100 ⇔ 109 | Geen functie                                 |
|           |                     | 110 ⇔ 179 | Impulse stroboscoop, langzaam naar snel      |
|           |                     | 180 ⇔ 189 | Geen functie                                 |
|           |                     | 190 ⇔ 255 | Willekeurige stroboscoop, langzaam naar snel |
| 17        | Rood 3              | 000 ⇔ 255 | 0–100%                                       |
| 18        | Groen 3             | 000 ⇔ 255 | 0–100%                                       |
| 19        | Blauw 3             | 000 ⇔ 255 | 0–100%                                       |
| 20        | Amber 3             | 000 ⇔ 255 | 0–100%                                       |
| 21        | Kleur macro's 3     | 000 ⇔ 010 | Geen functie                                 |
|           |                     | 011 ⇔ 034 | R: 100% G: 0–100% B: 0% A: 0% W: 0%          |
|           |                     | 035 ⇔ 059 | R: 100–0% G: 100% B: 0% A: 0% W: 0%          |
|           |                     | 060 ⇔ 084 | R: 0% G: 100% B: 0–100% A: 0% W: 0%          |
|           |                     | 084 ⇔ 109 | R: 0% G: 100–0% B: 100% A: 0% W: 0%          |
|           |                     | 110 ⇔ 134 | R: 0–100% G: 0% B: 100% A: 0% W: 0%          |
|           |                     | 134 ⇔ 159 | R: 100% G: 0% B: 100–0% A: 0% W: 0%          |
|           |                     | 160 ⇔ 184 | R: 100% G: 0–100% B: 0–100% A: 0% W: 0%      |
|           |                     | 184 ⇔ 209 | R: 100–0% G: 100–0% B: 100% A: 0% W: 0%      |
|           |                     | 210 ⇔ 255 | R: 100% G: 100% B: 100% A: 100% W: 100%      |
| 22        | Kleurtemperaturen 3 | 000 ⇔ 010 | Geen functie                                 |
|           |                     | 011 ⇔ 028 | Wit 1  |
|           |                     | 029 ⇔ 046 | Wit 2  |
|           |                     | 047 ⇔ 064 | Wit 3  |
|           |                     | 065 ⇔ 082 | Wit 4  |
|           |                     | 083 ⇔ 100 | Wit 5  |
|           |                     | 101 ⇔ 118 | Wit 6  |
|           |                     | 119 ⇔ 136 | Wit 7  |
|           |                     | 137 ⇔ 154 | Wit 8  |
|           |                     | 155 ⇔ 172 | Wit 9  |
|           |                     | 173 ⇔ 190 | Wit 10                                       |
|           |                     | 191 ⇔ 208 | Wit 11                                       |
|           |                     | 209 ⇔ 226 | Wit 12                                       |
|           |                     | 227 ⇔ 244 | Wit 13                                       |
| 245 ⇔ 255 | Wit 14              |           |  |

NL

| Kanaal | Functie           | Waarde    | Percentage/Instelling                        |
|--------|-------------------|-----------|--|
| 23     | Stroboscoop 3     | 000 ⇔ 009 | Geen functie                                 |
|        |                   | 010 ⇔ 099 | Stroboscoop, langzaam naar snel              |
|        |                   | 100 ⇔ 109 | Geen functie                                 |
|        |                   | 110 ⇔ 179 | Impulse stroboscoop, langzaam naar snel      |
|        |                   | 180 ⇔ 189 | Geen functie                                 |
|        |                   | 190 ⇔ 255 | Willekeurige stroboscoop, langzaam naar snel |
| 24     | Alles stroboscoop | 000 ⇔ 009 | Geen functie                                 |
|        |                   | 010 ⇔ 099 | Stroboscoop, langzaam naar snel              |
|        |                   | 100 ⇔ 109 | Geen functie                                 |
|        |                   | 110 ⇔ 179 | Impulse stroboscoop, langzaam naar snel      |
|        |                   | 180 ⇔ 189 | Geen functie                                 |
|        |                   | 190 ⇔ 255 | Willekeurige stroboscoop, langzaam naar snel |

## 3 RGBA (12 kanalen)

| Kanaal | Functie | Waarde    | Percentage/Instelling |
|--------|---------|-----------|-----------------------|
| 1      | Rood 1  | 000 ⇔ 255 | 0–100%                |
| 2      | Groen 1 | 000 ⇔ 255 | 0–100%                |
| 3      | Blauw 1 | 000 ⇔ 255 | 0–100%                |
| 4      | Amber 1 | 000 ⇔ 255 | 0–100%                |
| 5      | Rood 2  | 000 ⇔ 255 | 0–100%                |
| 6      | Groen 2 | 000 ⇔ 255 | 0–100%                |
| 7      | Blauw 2 | 000 ⇔ 255 | 0–100%                |
| 8      | Amber 2 | 000 ⇔ 255 | 0–100%                |
| 9      | Rood 3  | 000 ⇔ 255 | 0–100%                |
| 10     | Groen 3 | 000 ⇔ 255 | 0–100%                |
| 11     | Blauw 3 | 000 ⇔ 255 | 0–100%                |
| 12     | Amber 3 | 000 ⇔ 255 | 0–100%                |

## 3 RGB EXT (21 kanalen)

| Kanaal | Functie         | Waarde    | Percentage/Instelling                               |
|--------|-----------------|-----------|---|
| 1      | Dimmer          | 000 ⇔ 255 | 0–100%  |
| 2      | Fijne Dimmer    | 000 ⇔ 255 | 0–100%  |
| 3      | Rood 1          | 000 ⇔ 255 | 0–100%  |
| 4      | Groen 1         | 000 ⇔ 255 | 0–100%  |
| 5      | Blauw 1         | 000 ⇔ 255 | 0–100%  |
| 6      | Kleur macro's 1 | 000 ⇔ 010 | Geen functie  |
|        |                 | 011 ⇔ 034 | R: 100%    G: 0–100%    B: 0%    A: 0%    W: 0%     |
|        |                 | 035 ⇔ 059 | R: 100–0%    G: 100%    B: 0%    A: 0%    W: 0%     |
|        |                 | 060 ⇔ 084 | R: 0%    G: 100%    B: 0–100%    A: 0%    W: 0%     |
|        |                 | 084 ⇔ 109 | R: 0%    G: 100–0%    B: 100%    A: 0%    W: 0%     |
|        |                 | 110 ⇔ 134 | R: 0–100%    G: 0%    B: 100%    A: 0%    W: 0%     |
|        |                 | 134 ⇔ 159 | R: 100%    G: 0%    B: 100–0%    A: 0%    W: 0%     |
|        |                 | 160 ⇔ 184 | R: 100%    G: 0–100%    B: 0–100%    A: 0%    W: 0% |
|        |                 | 184 ⇔ 209 | R: 100–0%    G: 100–0%    B: 100%    A: 0%    W: 0% |
|        |                 | 210 ⇔ 255 | R: 100%    G: 100%    B: 100%    A: 100%    W: 100% |

| Kanaal    | Functie             | Waarde    | Percentage/Instelling                        |
|-----------|---------------------|-----------|--|
| 7         | Kleurtemperaturen 1 | 000 ⇔ 010 | Geen functie                                 |
|           |                     | 011 ⇔ 028 | Wit 1  |
|           |                     | 029 ⇔ 046 | Wit 2  |
|           |                     | 047 ⇔ 064 | Wit 3  |
|           |                     | 065 ⇔ 082 | Wit 4  |
|           |                     | 083 ⇔ 100 | Wit 5  |
|           |                     | 101 ⇔ 118 | Wit 6  |
|           |                     | 119 ⇔ 136 | Wit 7  |
|           |                     | 137 ⇔ 154 | Wit 8  |
|           |                     | 155 ⇔ 172 | Wit 9  |
|           |                     | 173 ⇔ 190 | Wit 10                                       |
|           |                     | 191 ⇔ 208 | Wit 11                                       |
|           |                     | 209 ⇔ 226 | Wit 12                                       |
|           |                     | 227 ⇔ 244 | Wit 13                                       |
| 245 ⇔ 255 | Wit 14              |           |  |
| 8         | Stroboscoop 1       | 000 ⇔ 009 | Geen functie                                 |
|           |                     | 010 ⇔ 099 | Stroboscoop, langzaam naar snel              |
|           |                     | 100 ⇔ 109 | Geen functie                                 |
|           |                     | 110 ⇔ 179 | Impulse stroboscoop, langzaam naar snel      |
|           |                     | 180 ⇔ 189 | Geen functie                                 |
|           |                     | 190 ⇔ 255 | Willekeurige stroboscoop, langzaam naar snel |
| 9         | Rood 2              | 000 ⇔ 255 | 0–100%                                       |
| 10        | Groen 2             | 000 ⇔ 255 | 0–100%                                       |
| 11        | Blauw 2             | 000 ⇔ 255 | 0–100%                                       |
| 12        | Kleur macro's 2     | 000 ⇔ 010 | Geen functie                                 |
|           |                     | 011 ⇔ 034 | R: 100% G: 0–100% B: 0% A: 0% W: 0%          |
|           |                     | 035 ⇔ 059 | R: 100–0% G: 100% B: 0% A: 0% W: 0%          |
|           |                     | 060 ⇔ 084 | R: 0% G: 100% B: 0–100% A: 0% W: 0%          |
|           |                     | 084 ⇔ 109 | R: 0% G: 100–0% B: 100% A: 0% W: 0%          |
|           |                     | 110 ⇔ 134 | R: 0–100% G: 0% B: 100% A: 0% W: 0%          |
|           |                     | 134 ⇔ 159 | R: 100% G: 0% B: 100–0% A: 0% W: 0%          |
|           |                     | 160 ⇔ 184 | R: 100% G: 0–100% B: 0–100% A: 0% W: 0%      |
|           |                     | 184 ⇔ 209 | R: 100–0% G: 100–0% B: 100% A: 0% W: 0%      |
|           |                     | 210 ⇔ 255 | R: 100% G: 100% B: 100% A: 100% W: 100%      |
| 13        | Kleurtemperaturen 2 | 000 ⇔ 010 | Geen functie                                 |
|           |                     | 011 ⇔ 028 | Wit 1  |
|           |                     | 029 ⇔ 046 | Wit 2  |
|           |                     | 047 ⇔ 064 | Wit 3  |
|           |                     | 065 ⇔ 082 | Wit 4  |
|           |                     | 083 ⇔ 100 | Wit 5  |
|           |                     | 101 ⇔ 118 | Wit 6  |
|           |                     | 119 ⇔ 136 | Wit 7  |
|           |                     | 137 ⇔ 154 | Wit 8  |
|           |                     | 155 ⇔ 172 | Wit 9  |
|           |                     | 173 ⇔ 190 | Wit 10                                       |
|           |                     | 191 ⇔ 208 | Wit 11                                       |
|           |                     | 209 ⇔ 226 | Wit 12                                       |
|           |                     | 227 ⇔ 244 | Wit 13                                       |
| 245 ⇔ 255 | Wit 14              |           |  |
| 14        | Stroboscoop 2       | 000 ⇔ 009 | Geen functie                                 |
|           |                     | 010 ⇔ 099 | Stroboscoop, langzaam naar snel              |
|           |                     | 100 ⇔ 109 | Geen functie                                 |
|           |                     | 110 ⇔ 179 | Impulse stroboscoop, langzaam naar snel      |
|           |                     | 180 ⇔ 189 | Geen functie                                 |
|           |                     | 190 ⇔ 255 | Willekeurige stroboscoop, langzaam naar snel |

NL

| Kanaal    | Functie                                 | Waarde    | Percentage/Instelling                        |
|-----------|---|-----------|--|
| 15        | Rood 3                                  | 000 ⇄ 255 | 0–100%                                       |
| 16        | Groen 3                                 | 000 ⇄ 255 | 0–100%                                       |
| 17        | Blauw 3                                 | 000 ⇄ 255 | 0–100%                                       |
| 18        | Kleur macro's                           | 000 ⇄ 010 | Geen functie                                 |
|           |   | 011 ⇄ 034 | R: 100% G: 0–100% B: 0% A: 0% W: 0%          |
|           |   | 035 ⇄ 059 | R: 100–0% G: 100% B: 0% A: 0% W: 0%          |
|           |   | 060 ⇄ 084 | R: 0% G: 100% B: 0–100% A: 0% W: 0%          |
|           |   | 084 ⇄ 109 | R: 0% G: 100–0% B: 100% A: 0% W: 0%          |
|           |   | 110 ⇄ 134 | R: 0–100% G: 0% B: 100% A: 0% W: 0%          |
|           |   | 134 ⇄ 159 | R: 100% G: 0% B: 100–0% A: 0% W: 0%          |
|           |   | 160 ⇄ 184 | R: 100% G: 0–100% B: 0–100% A: 0% W: 0%      |
|           |   | 184 ⇄ 209 | R: 100–0% G: 100–0% B: 100% A: 0% W: 0%      |
| 210 ⇄ 255 | R: 100% G: 100% B: 100% A: 100% W: 100% |           |  |
| 19        | Kleurtemperaturen                       | 000 ⇄ 010 | Geen functie                                 |
|           |   | 011 ⇄ 028 | Wit 1  |
|           |   | 029 ⇄ 046 | Wit 2  |
|           |   | 047 ⇄ 064 | Wit 3  |
|           |   | 065 ⇄ 082 | Wit 4  |
|           |   | 083 ⇄ 100 | Wit 5  |
|           |   | 101 ⇄ 118 | Wit 6  |
|           |   | 119 ⇄ 136 | Wit 7  |
|           |   | 137 ⇄ 154 | Wit 8  |
|           |   | 155 ⇄ 172 | Wit 9  |
|           |   | 173 ⇄ 190 | Wit 10                                       |
|           |   | 191 ⇄ 208 | Wit 11                                       |
|           |   | 209 ⇄ 226 | Wit 12                                       |
|           |   | 227 ⇄ 244 | Wit 13                                       |
| 245 ⇄ 255 | Wit 14                                  |           |  |
| 20        | Stroboscoop                             | 000 ⇄ 009 | Geen functie                                 |
|           |   | 010 ⇄ 099 | Stroboscoop, langzaam naar snel              |
|           |   | 100 ⇄ 109 | Geen functie                                 |
|           |   | 110 ⇄ 179 | Impulse stroboscoop, langzaam naar snel      |
|           |   | 180 ⇄ 189 | Geen functie                                 |
|           |   | 190 ⇄ 255 | Willekeurige stroboscoop, langzaam naar snel |
| 21        | Alles stroboscoop                       | 000 ⇄ 009 | Geen functie                                 |
|           |   | 010 ⇄ 099 | Stroboscoop, langzaam naar snel              |
|           |   | 100 ⇄ 109 | Geen functie                                 |
|           |   | 110 ⇄ 179 | Impulse stroboscoop, langzaam naar snel      |
|           |   | 180 ⇄ 189 | Geen functie                                 |
|           |   | 190 ⇄ 255 | Willekeurige stroboscoop, langzaam naar snel |

## 3 RGB (9 kanalen)

| Kanaal | Functie | Waarde    | Percentage/Instelling |
|--------|---------|-----------|-----------------------|
| 1      | Rood 1  | 000 ⇄ 255 | 0–100%                |
| 2      | Groen 1 | 000 ⇄ 255 | 0–100%                |
| 3      | Blauw 1 | 000 ⇄ 255 | 0–100%                |
| 4      | Rood 2  | 000 ⇄ 255 | 0–100%                |
| 5      | Groen 2 | 000 ⇄ 255 | 0–100%                |
| 6      | Blauw 2 | 000 ⇄ 255 | 0–100%                |
| 7      | Rood 3  | 000 ⇄ 255 | 0–100%                |
| 8      | Groen 3 | 000 ⇄ 255 | 0–100%                |
| 9      | Blauw 3 | 000 ⇄ 255 | 0–100%                |

**1-Cel DMX-waarden**
**1 HSIC (8 kanalen)**

| Kanaal    | Functie                                 | Waarde    | Percentage/Instelling                                      |
|-----------|---|-----------|--|
| 1         | Dimmer                                  | 000 ⇔ 255 | 0–100%   |
| 2         | Tint                                    | 000 ⇔ 255 | 0–100%   |
| 3         | Fijne tint                              | 000 ⇔ 255 | 0–100%   |
| 4         | Verzadiging                             | 000 ⇔ 255 | 0–100%   |
| 5         | Stroboscoop                             | 000 ⇔ 009 | Geen functie   |
|           |   | 010 ⇔ 099 | Stroboscoop, langzaam naar snel                            |
|           |   | 100 ⇔ 109 | Geen functie   |
|           |   | 110 ⇔ 179 | Impulse stroboscoop, langzaam naar snel                    |
|           |   | 180 ⇔ 189 | Geen functie   |
|           |   | 190 ⇔ 255 | Willekeurige stroboscoop, langzaam naar snel               |
| 6         | Kleur macro's                           | 000 ⇔ 010 | Geen functie   |
|           |   | 011 ⇔ 034 | R: 100% G: 0–100% B: 0% A: 0% W: 0%                        |
|           |   | 035 ⇔ 059 | R: 100–0% G: 100% B: 0% A: 0% W: 0%                        |
|           |   | 060 ⇔ 084 | R: 0% G: 100% B: 0–100% A: 0% W: 0%                        |
|           |   | 084 ⇔ 109 | R: 0% G: 100–0% B: 100% A: 0% W: 0%                        |
|           |   | 110 ⇔ 134 | R: 0–100% G: 0% B: 100% A: 0% W: 0%                        |
|           |   | 134 ⇔ 159 | R: 100% G: 0% B: 100–0% A: 0% W: 0%                        |
|           |   | 160 ⇔ 184 | R: 100% G: 0–100% B: 0–100% A: 0% W: 0%                    |
|           |   | 184 ⇔ 209 | R: 100–0% G: 100–0% B: 100% A: 0% W: 0%                    |
| 210 ⇔ 255 | R: 100% G: 100% B: 100% A: 100% W: 100% |           |  |
| 7         | Kleurtemperaturen                       | 000 ⇔ 010 | Geen functie   |
|           |   | 011 ⇔ 028 | Wit 1  |
|           |   | 029 ⇔ 046 | Wit 2  |
|           |   | 047 ⇔ 064 | Wit 3  |
|           |   | 065 ⇔ 082 | Wit 4  |
|           |   | 083 ⇔ 100 | Wit 5  |
|           |   | 101 ⇔ 118 | Wit 6  |
|           |   | 119 ⇔ 136 | Wit 7  |
|           |   | 137 ⇔ 154 | Wit 8  |
|           |   | 155 ⇔ 172 | Wit 9  |
|           |   | 173 ⇔ 190 | Wit 10   |
|           |   | 191 ⇔ 208 | Wit 11   |
|           |   | 209 ⇔ 226 | Wit 12   |
|           |   | 227 ⇔ 244 | Wit 13   |
|           |   | 245 ⇔ 255 | Wit 14   |
| 8         | Dimmersnelheid                          | 000 ⇔ 009 | Voorinstelling van de dimmersnelheid vanaf het displaymenu |
|           |   | 010 ⇔ 029 | Dimmer snelheidsmodus uit                                  |
|           |   | 030 ⇔ 069 | Dimmer snelheidsmodus 1 (snel)                             |
|           |   | 070 ⇔ 129 | Dimmer snelheidsmodus 2                                    |
|           |   | 130 ⇔ 189 | Dimmer snelheidsmodus 3                                    |
|           |   | 190 ⇔ 255 | Dimmer snelheidsmodus 4 (langzaam)                         |

**1 RGBAW FUL (16 kanalen)**

| Kanaal | Functie      | Waarde    | Percentage/Instelling |
|--------|--------------|-----------|-----------------------|
| 1      | Dimmer       | 000 ⇔ 255 | 0–100%                |
| 2      | Fijne Dimmer | 000 ⇔ 255 | 0–100%                |
| 3      | Rood         | 000 ⇔ 255 | 0–100%                |
| 4      | Fijn rood    | 000 ⇔ 255 | 0–100%                |
| 5      | Groen        | 000 ⇔ 255 | 0–100%                |
| 6      | Fijn groen   | 000 ⇔ 255 | 0–100%                |
| 7      | Blauw        | 000 ⇔ 255 | 0–100%                |
| 8      | Fijn blauw   | 000 ⇔ 255 | 0–100%                |
| 9      | Amber        | 000 ⇔ 255 | 0–100%                |

| Kanaal    | Functie                                 | Waarde    | Percentage/Instelling                                      |
|-----------|---|-----------|--|
| 10        | Fijn amber                              | 000 ⇄ 255 | 0–100%   |
| 11        | Wit                                     | 000 ⇄ 255 | 0–100%   |
| 12        | Fijn wit                                | 000 ⇄ 255 | 0–100%   |
| 13        | Kleur macro's                           | 000 ⇄ 010 | Geen functie   |
|           |   | 011 ⇄ 034 | R: 100% G: 0–100% B: 0% A: 0% W: 0%                        |
|           |   | 035 ⇄ 059 | R: 100–0% G: 100% B: 0% A: 0% W: 0%                        |
|           |   | 060 ⇄ 084 | R: 0% G: 100% B: 0–100% A: 0% W: 0%                        |
|           |   | 084 ⇄ 109 | R: 0% G: 100–0% B: 100% A: 0% W: 0%                        |
|           |   | 110 ⇄ 134 | R: 0–100% G: 0% B: 100% A: 0% W: 0%                        |
|           |   | 134 ⇄ 159 | R: 100% G: 0% B: 100–0% A: 0% W: 0%                        |
|           |   | 160 ⇄ 184 | R: 100% G: 0–100% B: 0–100% A: 0% W: 0%                    |
|           |   | 184 ⇄ 209 | R: 100–0% G: 100–0% B: 100% A: 0% W: 0%                    |
| 210 ⇄ 255 | R: 100% G: 100% B: 100% A: 100% W: 100% |           |  |
| 14        | Kleurtemperaturen                       | 000 ⇄ 010 | Geen functie   |
|           |   | 011 ⇄ 028 | Wit 1  |
|           |   | 029 ⇄ 046 | Wit 2  |
|           |   | 047 ⇄ 064 | Wit 3  |
|           |   | 065 ⇄ 082 | Wit 4  |
|           |   | 083 ⇄ 100 | Wit 5  |
|           |   | 101 ⇄ 118 | Wit 6  |
|           |   | 119 ⇄ 136 | Wit 7  |
|           |   | 137 ⇄ 154 | Wit 8  |
|           |   | 155 ⇄ 172 | Wit 9  |
|           |   | 173 ⇄ 190 | Wit 10   |
|           |   | 191 ⇄ 208 | Wit 11   |
|           |   | 209 ⇄ 226 | Wit 12   |
|           |   | 227 ⇄ 244 | Wit 13   |
| 245 ⇄ 255 | Wit 14                                  |           |  |
| 15        | Stroboscoop                             | 000 ⇄ 009 | Geen functie   |
|           |   | 010 ⇄ 099 | Stroboscoop, langzaam naar snel                            |
|           |   | 100 ⇄ 109 | Geen functie   |
|           |   | 110 ⇄ 179 | Impulse stroboscoop, langzaam naar snel                    |
|           |   | 180 ⇄ 189 | Geen functie   |
|           |   | 190 ⇄ 255 | Willekeurige stroboscoop, langzaam naar snel               |
| 16        | Dimmersnelheid                          | 000 ⇄ 009 | Voorinstelling van de dimmersnelheid vanaf het displaymenu |
|           |   | 010 ⇄ 029 | Dimmer snelheidsmodus uit                                  |
|           |   | 030 ⇄ 069 | Dimmer snelheidsmodus 1 (snel)                             |
|           |   | 070 ⇄ 129 | Dimmer snelheidsmodus 2                                    |
|           |   | 130 ⇄ 189 | Dimmer snelheidsmodus 3                                    |
|           |   | 190 ⇄ 255 | Dimmer snelheidsmodus 4 (langzaam)                         |

### 1 RGBAW FIN (10 kanalen)

| Kanaal | Functie    | Waarde    | Percentage/Instelling |
|--------|------------|-----------|-----------------------|
| 1      | Rood       | 000 ⇄ 255 | 0–100%                |
| 2      | Fijn rood  | 000 ⇄ 255 | 0–100%                |
| 3      | Groen      | 000 ⇄ 255 | 0–100%                |
| 4      | Fijn groen | 000 ⇄ 255 | 0–100%                |
| 5      | Blauw      | 000 ⇄ 255 | 0–100%                |
| 6      | Fijn blauw | 000 ⇄ 255 | 0–100%                |
| 7      | Amber      | 000 ⇄ 255 | 0–100%                |
| 8      | Fijn amber | 000 ⇄ 255 | 0–100%                |
| 9      | Wit        | 000 ⇄ 255 | 0–100%                |
| 10     | Fijn wit   | 000 ⇄ 255 | 0–100%                |



**1 RGBAW EXT (10 kanalen)**

| Kanaal    | Functie                                 | Waarde    | Percentage/Instelling                        |
|-----------|---|-----------|--|
| 1         | Dimmer                                  | 000 ⇔ 255 | 0–100%                                       |
| 2         | Fijne Dimmer                            | 000 ⇔ 255 | 0–100%                                       |
| 3         | Rood                                    | 000 ⇔ 255 | 0–100%                                       |
| 4         | Groen                                   | 000 ⇔ 255 | 0–100%                                       |
| 5         | Blauw                                   | 000 ⇔ 255 | 0–100%                                       |
| 6         | Amber                                   | 000 ⇔ 255 | 0–100%                                       |
| 7         | Wit                                     | 000 ⇔ 255 | 0–100%                                       |
| 8         | Kleur macro's                           | 000 ⇔ 010 | Geen functie                                 |
|           |   | 011 ⇔ 034 | R: 100% G: 0–100% B: 0% A: 0% W: 0%          |
|           |   | 035 ⇔ 059 | R: 100–0% G: 100% B: 0% A: 0% W: 0%          |
|           |   | 060 ⇔ 084 | R: 0% G: 100% B: 0–100% A: 0% W: 0%          |
|           |   | 084 ⇔ 109 | R: 0% G: 100–0% B: 100% A: 0% W: 0%          |
|           |   | 110 ⇔ 134 | R: 0–100% G: 0% B: 100% A: 0% W: 0%          |
|           |   | 134 ⇔ 159 | R: 100% G: 0% B: 100–0% A: 0% W: 0%          |
|           |   | 160 ⇔ 184 | R: 100% G: 0–100% B: 0–100% A: 0% W: 0%      |
|           |   | 184 ⇔ 209 | R: 100–0% G: 100–0% B: 100% A: 0% W: 0%      |
| 210 ⇔ 255 | R: 100% G: 100% B: 100% A: 100% W: 100% |           |  |
| 9         | Kleurtemperaturen                       | 000 ⇔ 010 | Geen functie                                 |
|           |   | 011 ⇔ 028 | Wit 1  |
|           |   | 029 ⇔ 046 | Wit 2  |
|           |   | 047 ⇔ 064 | Wit 3  |
|           |   | 065 ⇔ 082 | Wit 4  |
|           |   | 083 ⇔ 100 | Wit 5  |
|           |   | 101 ⇔ 118 | Wit 6  |
|           |   | 119 ⇔ 136 | Wit 7  |
|           |   | 137 ⇔ 154 | Wit 8  |
|           |   | 155 ⇔ 172 | Wit 9  |
|           |   | 173 ⇔ 190 | Wit 10                                       |
|           |   | 191 ⇔ 208 | Wit 11                                       |
|           |   | 209 ⇔ 226 | Wit 12                                       |
|           |   | 227 ⇔ 244 | Wit 13                                       |
| 245 ⇔ 255 | Wit 14                                  |           |  |
| 10        | Stroboscoop                             | 000 ⇔ 009 | Geen functie                                 |
|           |   | 010 ⇔ 099 | Stroboscoop, langzaam naar snel              |
|           |   | 100 ⇔ 109 | Geen functie                                 |
|           |   | 110 ⇔ 179 | Impulse stroboscoop, langzaam naar snel      |
|           |   | 180 ⇔ 189 | Geen functie                                 |
|           |   | 190 ⇔ 255 | Willekeurige stroboscoop, langzaam naar snel |

**1 RGBAW (5 kanalen)**

| Kanaal | Functie | Waarde    | Percentage/Instelling |
|--------|---------|-----------|-----------------------|
| 1      | Rood    | 000 ⇔ 255 | 0–100%                |
| 2      | Groen   | 000 ⇔ 255 | 0–100%                |
| 3      | Blauw   | 000 ⇔ 255 | 0–100%                |
| 4      | Amber   | 000 ⇔ 255 | 0–100%                |
| 5      | Wit     | 000 ⇔ 255 | 0–100%                |

**1 RGBA EXT (9 kanalen)**

| Kanaal | Functie      | Waarde    | Percentage/Instelling |
|--------|--------------|-----------|-----------------------|
| 1      | Dimmer       | 000 ⇔ 255 | 0–100%                |
| 2      | Fijne Dimmer | 000 ⇔ 255 | 0–100%                |
| 3      | Rood         | 000 ⇔ 255 | 0–100%                |
| 4      | Groen        | 000 ⇔ 255 | 0–100%                |

NL

| Kanaal    | Functie           | Waarde    | Percentage/Instelling                        |
|-----------|-------------------|-----------|--|
| 5         | Blauw             | 000 ⇄ 255 | 0–100%                                       |
| 6         | Amber             | 000 ⇄ 255 | 0–100%                                       |
| 7         | Kleur macro's     | 000 ⇄ 010 | Geen functie                                 |
|           |                   | 011 ⇄ 034 | R: 100% G: 0–100% B: 0% A: 0% W: 0%          |
|           |                   | 035 ⇄ 059 | R: 100–0% G: 100% B: 0% A: 0% W: 0%          |
|           |                   | 060 ⇄ 084 | R: 0% G: 100% B: 0–100% A: 0% W: 0%          |
|           |                   | 084 ⇄ 109 | R: 0% G: 100–0% B: 100% A: 0% W: 0%          |
|           |                   | 110 ⇄ 134 | R: 0–100% G: 0% B: 100% A: 0% W: 0%          |
|           |                   | 134 ⇄ 159 | R: 100% G: 0% B: 100–0% A: 0% W: 0%          |
|           |                   | 160 ⇄ 184 | R: 100% G: 0–100% B: 0–100% A: 0% W: 0%      |
|           |                   | 184 ⇄ 209 | R: 100–0% G: 100–0% B: 100% A: 0% W: 0%      |
|           |                   | 210 ⇄ 255 | R: 100% G: 100% B: 100% A: 100% W: 100%      |
| 8         | Kleurtemperaturen | 000 ⇄ 010 | Geen functie                                 |
|           |                   | 011 ⇄ 028 | Wit 1  |
|           |                   | 029 ⇄ 046 | Wit 2  |
|           |                   | 047 ⇄ 064 | Wit 3  |
|           |                   | 065 ⇄ 082 | Wit 4  |
|           |                   | 083 ⇄ 100 | Wit 5  |
|           |                   | 101 ⇄ 118 | Wit 6  |
|           |                   | 119 ⇄ 136 | Wit 7  |
|           |                   | 137 ⇄ 154 | Wit 8  |
|           |                   | 155 ⇄ 172 | Wit 9  |
|           |                   | 173 ⇄ 190 | Wit 10                                       |
|           |                   | 191 ⇄ 208 | Wit 11                                       |
|           |                   | 209 ⇄ 226 | Wit 12                                       |
|           |                   | 227 ⇄ 244 | Wit 13                                       |
| 245 ⇄ 255 | Wit 14            |           |  |
| 9         | Stroboscoop       | 000 ⇄ 009 | Geen functie                                 |
|           |                   | 010 ⇄ 099 | Stroboscoop, langzaam naar snel              |
|           |                   | 100 ⇄ 109 | Geen functie                                 |
|           |                   | 110 ⇄ 179 | Impulse stroboscoop, langzaam naar snel      |
|           |                   | 180 ⇄ 189 | Geen functie                                 |
|           |                   | 190 ⇄ 255 | Willekeurige stroboscoop, langzaam naar snel |

## 1 RGBA (4 kanalen)

| Kanaal | Functie | Waarde    | Percentage/Instelling |
|--------|---------|-----------|-----------------------|
| 1      | Rood    | 000 ⇄ 255 | 0–100%                |
| 2      | Groen   | 000 ⇄ 255 | 0–100%                |
| 3      | Blauw   | 000 ⇄ 255 | 0–100%                |
| 4      | Amber   | 000 ⇄ 255 | 0–100%                |

## 1 RGB EXT (8 kanalen)

| Kanaal | Functie      | Waarde    | Percentage/Instelling |
|--------|--------------|-----------|-----------------------|
| 1      | Dimmer       | 000 ⇄ 255 | 0–100%                |
| 2      | Fijne Dimmer | 000 ⇄ 255 | 0–100%                |
| 3      | Rood         | 000 ⇄ 255 | 0–100%                |
| 4      | Groen        | 000 ⇄ 255 | 0–100%                |
| 5      | Blauw        | 000 ⇄ 255 | 0–100%                |

| Kanaal    | Functie           | Waarde    | Percentage/Instelling                        |
|-----------|-------------------|-----------|--|
| 6         | Kleur macro's     | 000 ⇔ 010 | Geen functie                                 |
|           |                   | 011 ⇔ 034 | R: 100% G: 0–100% B: 0% A: 0% W: 0%          |
|           |                   | 035 ⇔ 059 | R: 100–0% G: 100% B: 0% A: 0% W: 0%          |
|           |                   | 060 ⇔ 084 | R: 0% G: 100% B: 0–100% A: 0% W: 0%          |
|           |                   | 084 ⇔ 109 | R: 0% G: 100–0% B: 100% A: 0% W: 0%          |
|           |                   | 110 ⇔ 134 | R: 0–100% G: 0% B: 100% A: 0% W: 0%          |
|           |                   | 134 ⇔ 159 | R: 100% G: 0% B: 100–0% A: 0% W: 0%          |
|           |                   | 160 ⇔ 184 | R: 100% G: 0–100% B: 0–100% A: 0% W: 0%      |
|           |                   | 184 ⇔ 209 | R: 100–0% G: 100–0% B: 100% A: 0% W: 0%      |
|           |                   | 210 ⇔ 255 | R: 100% G: 100% B: 100% A: 100% W: 100%      |
| 7         | Kleurtemperaturen | 000 ⇔ 010 | Geen functie                                 |
|           |                   | 011 ⇔ 028 | Wit 1  |
|           |                   | 029 ⇔ 046 | Wit 2  |
|           |                   | 047 ⇔ 064 | Wit 3  |
|           |                   | 065 ⇔ 082 | Wit 4  |
|           |                   | 083 ⇔ 100 | Wit 5  |
|           |                   | 101 ⇔ 118 | Wit 6  |
|           |                   | 119 ⇔ 136 | Wit 7  |
|           |                   | 137 ⇔ 154 | Wit 8  |
|           |                   | 155 ⇔ 172 | Wit 9  |
|           |                   | 173 ⇔ 190 | Wit 10                                       |
|           |                   | 191 ⇔ 208 | Wit 11                                       |
|           |                   | 209 ⇔ 226 | Wit 12                                       |
|           |                   | 227 ⇔ 244 | Wit 13                                       |
| 245 ⇔ 255 | Wit 14            |           |  |
| 8         | Stroboscoop       | 000 ⇔ 009 | Geen functie                                 |
|           |                   | 010 ⇔ 099 | Stroboscoop, langzaam naar snel              |
|           |                   | 100 ⇔ 109 | Geen functie                                 |
|           |                   | 110 ⇔ 179 | Impulse stroboscoop, langzaam naar snel      |
|           |                   | 180 ⇔ 189 | Geen functie                                 |
|           |                   | 190 ⇔ 255 | Willekeurige stroboscoop, langzaam naar snel |

**1 RGB (3 kanalen)**

| Kanaal | Functie | Waarde    | Percentage/Instelling |
|--------|---------|-----------|-----------------------|
| 1      | Rood    | 000 ⇔ 255 | 0–100%                |
| 2      | Groen   | 000 ⇔ 255 | 0–100%                |
| 3      | Blauw   | 000 ⇔ 255 | 0–100%                |

## Contact Us

| General Information  | Technical Support  |
|--|--|
| <b>Chauvet World Headquarters</b>  |  |
| Address: 5200 NW 108th Ave.<br>Sunrise, FL 33351<br>Voice: (954) 577-4455<br>Fax: (954) 929-5560<br>Toll Free: (800) 762-1084                          | Voice: (844) 393-7575<br>Fax: (954) 756-8015<br>Email: <a href="mailto:chauvetcs@chauvetlighting.com">chauvetcs@chauvetlighting.com</a><br>Website: <a href="http://www.chauvetprofessional.com">www.chauvetprofessional.com</a> |
| <b>Chauvet Europe Ltd.</b>   |  |
| Address: Unit 1C<br>Brookhill Road Industrial Estate<br>Pinxton, Nottingham, UK<br>NG16 6NT<br>Voice: +44 (0) 1773 511115<br>Fax: +44 (0) 1773 511110  | Email: <a href="mailto:UKtech@chauvetlighting.eu">UKtech@chauvetlighting.eu</a><br>Website: <a href="http://www.chauvetprofessional.eu">www.chauvetprofessional.eu</a>   |
| <b>Chauvet Europe BVBA</b>   |  |
| Address: Stokstraat 18<br>9770 Kruishoutem<br>Belgium<br>Voice: +32 9 388 93 97  | Email: <a href="mailto:BNLtech@chauvetlighting.eu">BNLtech@chauvetlighting.eu</a><br>Website: <a href="http://www.chauvetprofessional.eu">www.chauvetprofessional.eu</a>   |
| <b>Chauvet France</b>  |  |
| Address: 3, Rue Ampère<br>91380 Chilly-Mazarin<br>France<br>Voice: +33 1 78 85 33 59   | Email: <a href="mailto:FRtech@chauvetlighting.fr">FRtech@chauvetlighting.fr</a><br>Website: <a href="http://www.chauvetprofessional.eu">www.chauvetprofessional.eu</a>   |
| <b>Chauvet Germany</b>   |  |
| Address: Bruno-Bürgel-Str. 11<br>28759 Bremen<br>Germany<br>Voice: +49 421 62 60 20  | Email: <a href="mailto:DEtech@chauvetlighting.de">DEtech@chauvetlighting.de</a><br>Website: <a href="http://www.chauvetprofessional.eu">www.chauvetprofessional.eu</a>   |
| <b>Chauvet Mexico</b>  |  |
| Address: Av. de las Partidas 34 - 3B<br>(Entrance by Calle 2)<br>Zona Industrial Lerma<br>Lerma, Edo. de México, CP 52000<br>Voice: +52 (728) 690-2010 | Email: <a href="mailto:servicio@chauvet.com.mx">servicio@chauvet.com.mx</a><br>Website: <a href="http://www.chauvetprofessional.mx">www.chauvetprofessional.mx</a>   |

Visit the applicable website above to verify our contact information and instructions to request support. Outside the U.S., U.K., Ireland, Mexico, France, Germany, or Benelux, contact the dealer of record.



UL 1573  
CSA C22.2 No. 166  
E113093



RoHS

