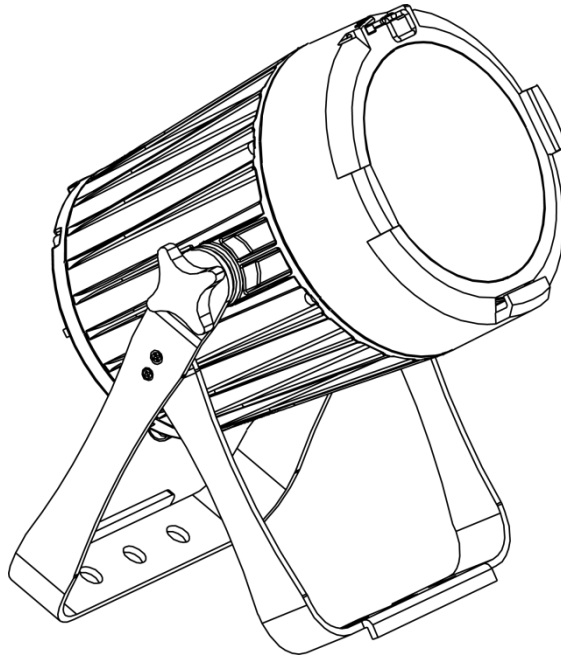


COLORADO 1 SOLO

Quick Reference Guide

English	EN
Español	ES
Français	FR
Nederlands	NL




CHAUVET
PROFESSIONAL

About This Guide

The COLORado 1 Solo Quick Reference Guide (QRG) has basic product information such as connection, mounting, menu options, and DMX values. Download the User Manual from www.chauvetprofessional.com for more details.

Disclaimer

The information and specifications contained in this QRG are subject to change without notice.

Safety Notes

- DO NOT open this product. It contains no user-serviceable parts.
- To eliminate unnecessary wear and improve its lifespan, during periods of non-use completely disconnect the product from power via breaker or by unplugging it.
- DO NOT look at the light source when the product is on.
- CAUTION: This product’s housing may be hot when lights are operating.
- Mount this product in a location with adequate ventilation, at least 20 in (50 cm) from adjacent surfaces.
- DO NOT leave any flammable material within 50 cm of this product while operating or connected to power.
- CAUTION: When transferring product from extreme temperature environments, (e.g. cold truck to warm humid ballroom) condensation may form on the internal electronics of the product. To avoid causing a failure, allow product to fully acclimate to the surrounding environment before connecting it to power.
- Not for permanent outdoor installation in locations with extreme environmental conditions. This includes, but is not limited to:
 - Exposure to a marine/saline environment (within 3 miles of a saltwater body of water).
 - Where the normal high or low temperatures of the location exceed the temperature ranges in this manual.
 - Locations that are prone to flooding or being buried in snow.
 - Other areas where the product will be subject to extreme radiation or caustic substances.
- USE a safety cable when mounting this product overhead.
- DO NOT submerge this product (IP65). Regular outdoor operation is fine.
- DO NOT operate this product if the housing, lenses, or cables appear damaged.
- DO NOT connect this product to a dimmer or rheostat.
- ONLY connect this product to a grounded and protected circuit.
- ONLY use the hanging/mounting bracket or the handles to carry this product.
- In the event of a serious operating problem, stop using immediately.
- The maximum ambient temperature is 113 °F (45 °C). Do not operate this product at higher temperatures.

Contact

Outside the U.S., United Kingdom, Ireland, Mexico, or Benelux, contact your distributor to request support or return a product. From inside the U.S., UK, Ireland, Mexico, or Benelux, use the information in [Contact Us](#) at the end of this QRG.

What Is Included

- COLORado 1 Solo
- Seetronic Powerkon
- IP65 power cord
- Gel Frame
- Warranty Card
- Quick Reference Guide

AC Power This product has an auto-ranging power supply that can work with an input voltage range of 100–240 VAC, 50/60 Hz.

Power Linking You can link up to 24 COLORado 1 Solo products at 120 V, 40 products at 208 V, or 45 products at 230 V. Never exceed this number. Power linking cords can be purchased separately.

AC Plug

Connection	Wire (U.S.)	Wire (Europe)	Screw Color
AC Live	Black	Brown	Yellow/Brass
AC Neutral	White	Blue	Silver
AC Ground	Green/Yellow	Green/Yellow	Green



To eliminate unnecessary wear and improve its lifespan, during periods of non-use completely disconnect the product from power via breaker or by unplugging it.

DMX Linking The COLORado 1 Solo will work with a DMX controller using a 5-pin DMX serial connection. A DMX Primer is available from www.chauvetprofessional.com.

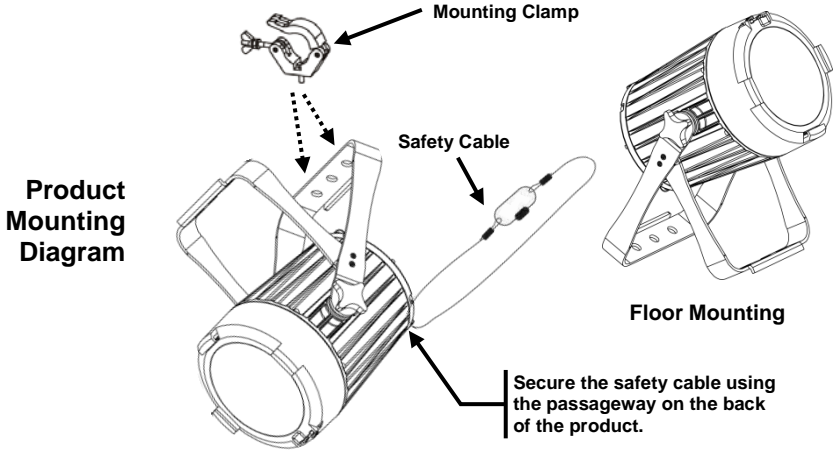
DMX Connection The COLORado 1 Solo uses a 3- or 5-pin DMX data connection for its DMX personalities: **HSIC**, **SSP**, **TOUR**, **TR16**, and **STD.Y**. See the User Manual for information about connecting and configuring the product for DMX operation.



Note: For optimum control of the 16-bit dimming channels in the TR16 and STD.Y personalities, be sure that both dimming curves in SETTING > DIMMER are set to OFF.

Master/Slave Connection The COLORado 1 Solo uses the DMX data connection for its Master/Slave mode. See the User Manual for information about connect and configure the product for master/slave operation.

Mounting Before mounting this product, read the [Safety Notes](#). Use at least one mounting point per product. Make sure the mounting clamps are capable of supporting the weight of the product. For our CHAUVET Professional line of mounting clamps, go to <http://trusst.com/products/>.



Overhead Mounting

Control Panel Description

Button	Function
<MENU>	Exits from the current menu or function
<ENTER>	Enables the currently displayed menu or sets the currently selected value into the selected function
<UP>	Navigates upwards through the menu list or increases the numeric value when in a function
<DOWN>	Navigates downwards through the menu list or decreases the numeric value when in a function

Passcode After being prompted, enter the following passcode by pressing:
 <UP>, <DOWN>, <UP>, <DOWN>, <ENTER>
 This passcode cannot be changed and must be used whenever prompted.

Menu Map

Main Level	Programming Levels			Description
STATIC			RED	Combines red, green, blue, and white to make a custom color (0–100%) Changes the beam angle (zoom) Selects the strobe frequency (0–25 Hz)
			GREEN	
			BLUE	
			WHITE	
			ZOOM	
			STROBE	
ADDRESS	001–512			Selects the DMX starting address
AUTO PROGRAM	AUTO1-10	Speed	000–255	10 automatic programs
	PROGRAM1-10			10 customizable programs
RUN MODE	DMX			DMX mode
	SLAVE			Master/Slave mode
ZOOM MODE	ZOOM MODE 1			Normal operation
	ZOOM MODE 2			Recommended for use Below 40 °F
PERSONALITY	HSIC			9-channel: H/S/CCT control, dimmer, strobe, zoom, zoom reset, dimmer speed
	SSP			9-channel: R/G/B/W, dimmer, strobe, zoom, zoom reset, dimmer speed
	TOUR			12-channel: R/G/B/W, dimmer, strobe, color macro, auto/custom, dimmer speed, auto speed, zoom, zoom reset
	TR16			17-channel: 16-bit RGBW and dimmer; strobe, color macro, auto/custom, dimmer speed, auto speed, zoom, zoom reset
	STD.Y			17-channel: 16-bit RGBW and dimmer; strobe, color macro, auto/custom, dimmer speed, auto speed, zoom, zoom reset
EDIT	PROGRAM 01-10	SCENE 01-30	RED	Combines red, green, blue, and white to make a custom color (0-100%) Changes the beam angle (zoom) Selects the strobe frequency (0–20 Hz) Defines the step duration (slow to fast) Defines the fade duration (slow to fast)
			GREEN	
			BLUE	
			WHITE	
			ZOOM	
			STROBE	
			TIME	
FADE				

Menu Map (Cont.)

Main Level	Programming Levels			Description	
SETTING	**** (Enter Passcode)	UPLOAD	**** (Enter Passcode)	SEND	Uploads custom programs to other COLORado 1 Solo products
			RESET	**** (Enter Passcode)	
		COLOR	UC		Universal color balance
			RGBW		RGB set to 255 = balanced white
			OFF		RGB set to 255 = max. output
		DIMMER	OFF		No dimmer
			DIM4	Selects dimming profiles from fast (DIM1) to slow (DIM4) or OFF	
			DIM3		
			DIM2		
			DIM1		
		DMX ERROR	SAVE		Continues with last command upon loss of DMX control
			BLACK		Blacks out fixture upon loss of DMX
		PWM	600Hz	Selects the PWM output frequency	
			1200Hz		
			2000Hz		
			2400Hz		
			6000Hz		
			25000Hz		
		FULL POWER CCT	WARM WHITE	Sets the color temperature when all color faders are set to 100%	
			NEUTRAL WHITE		
COOL WHITE					
NORMAL	Manual color temperature				
KEY	ON			Turns the passcode on or off	
	OFF				
CALIB.C	**** (Enter Passcode)	WHITE 01-12	RED	000–255	Modifies the color macros used in the TOUR , TR16 , and STD.Y personality
			GREEN		
			BLUE		
			WHITE		
		RGBW	R.	000–255	Defines the color temperature used when COLOR is set to RGBW .
			G.		
B.					
INFO	VERSION	V0.1		Shows installed software version	
	RDM	UID	0x21A40067____	Displays Current UID #	
		LABEL	COLORado 1 SoLo		Product Name

DMX Values

STD.Y	Channel	Function	Value	Percent/Setting
	1	Dimmer	000ó 255	0–100%
	2	Dimmer Fine	000ó 255	Fine control (16-bit) (Step Duration if Custom 1–10 in CH. 13 is active)
	3	Red	000ó 255	0–100% (Fade Duration if Custom 1–10 in CH. 13 is active)
	4	Red Fine	000ó 255	Fine control (16-bit)
	5	Green	000ó 255	0–100%
	6	Green Fine	000ó 255	Fine control (16-bit)
	7	Blue	000ó 255	0–100%
	8	Blue Fine	000ó 255	Fine control (16-bit)
	9	White	000ó 255	0–100%
	10	White Fine	000ó 255	Fine control (16-bit)
	11	Color Macro	000ó 010	No function
			011ó 030	R: 100% G: 0-100% B: 0
			031ó 050	R: 100%-0 G: 100% B: 0
			051ó 070	R: 0 G: 100% B: 0-100%
			071ó 090	R: 0 G: 100%-0 B: 100%
			091ó 110	R: 0-100% G: 0 B: 100%
			111ó 130	R: 100% G: 0 B: 100%-0
			131ó 150	R: 100% G: 0-100% B: 0-100%
			151ó 170	R: 100%-0 G: 100%-0 B: 100%
			171ó 200	R: 100% G: 100% B: 100% W: 100%
			201ó 205	White 1
			206ó 210	White 2
			211ó 215	White 3
			216ó 220	White 4
			221ó 225	White 5
			226ó 230	White 6
	231ó 235	White 7		
	236ó 240	White 8		
	241ó 245	White 9		
	246ó 250	White 10		
	251ó 255	White 11		
	12	Strobe Effect	000ó 009	No function
			010ó 099	0–20 Hz
			100ó 109	No function
			110ó 179	Lightning Strobe
			180ó 189	No function
			190ó 255	Random Strobe

DMX Values (Cont.)

STD.Y (Cont.)	Channel	Function	Value	Percent/Setting
	13	Programs	000 ó 040	No function
			041 ó 050	Auto 1
			051 ó 060	Auto 2
			061 ó 070	Auto 3
			071 ó 080	Auto 4
			081 ó 090	Auto 5
			091 ó 100	Auto 6
			101 ó 110	Auto 7
			111 ó 120	Auto 8
			121 ó 130	Auto 9
			131 ó 140	Auto 10
			141 ó 150	Custom 1
			151 ó 160	Custom 2
			161 ó 170	Custom 3
	171 ó 180	Custom 4		
	181 ó 190	Custom 5		
	191 ó 200	Custom 6		
	201 ó 210	Custom 7		
	211 ó 220	Custom 8		
	221 ó 230	Custom 9		
	231 ó 255	Custom 10		
14	Auto Speed		000 ó 255	0–100% (Only when using Auto)
15	Zoom		000 ó 255	0–100%
16	Zoom Control		000 ó 200	No function
			201 ó 220	Zoom reset
			221 ó 255	No function
17	Dimmer Speed		000 ó 009	Preset dimmer speed from display menu
			010 ó 029	Linear dimmer
			030 ó 069	Nonlinear dimming curve 1 (fastest)
			070 ó 129	Nonlinear dimming curve 2
			130 ó 189	Nonlinear dimming curve 3
	190 ó 255	Nonlinear dimming curve 4 (slowest)		

DMX Values (Cont.)

TR16	Channel	Function	Value	Percent/Setting
	1	Dimmer	000ó 255	0–100%
	2	Dimmer Fine	000ó 255	Fine control (16-bit) (Step Duration if Custom 1–10 in CH. 13 is active)
	3	Red	000ó 255	0–100% (Fade Duration if Custom 1–10 in CH. 13 is active)
	4	Red Fine	000ó 255	Fine control (16-bit)
	5	Green	000ó 255	0–100%
	6	Green Fine	000ó 255	Fine control (16-bit)
	7	Blue	000ó 255	0–100%
	8	Blue Fine	000ó 255	Fine control (16-bit)
	9	White	000ó 255	0–100%
	10	White Fine	000ó 255	Fine control (16-bit)
	11	Color Macro	000ó 010	No function
			011ó 030	R: 100% G: 0-100% B: 0
			031ó 050	R: 100%-0 G: 100% B: 0
			051ó 070	R: 0 G: 100% B: 0-100%
			071ó 090	R: 0 G: 100%-0 B: 100%
			091ó 110	R: 0-100% G: 0 B: 100%
			111ó 130	R: 100% G: 0 B: 100%-0
			131ó 150	R: 100% G: 0-100% B: 0-100%
			151ó 170	R: 100%-0 G: 100%-0 B: 100%
			171ó 200	R: 100% G: 100% B: 100% W: 100%
			201ó 205	White 1
			206ó 210	White 2
			211ó 215	White 3
			216ó 220	White 4
			221ó 225	White 5
			226ó 230	White 6
	231ó 235	White 7		
	236ó 240	White 8		
	241ó 245	White 9		
	246ó 250	White 10		
	251ó 255	White 11		
	12	Strobe Effect	000ó 009	No function
			010ó 099	0–20 Hz
			100ó 109	No function
			110ó 179	Lightning Strobe
			180ó 189	No function
			190ó 255	Random Strobe

DMX Values (Cont.)

TR16 (Cont.)	Channel	Function	Value	Percent/Setting
	13	Programs	000ó 040	No function
			041ó 050	Auto 1
			051ó 060	Auto 2
			061ó 070	Auto 3
			071ó 080	Auto 4
			081ó 090	Auto 5
			091ó 100	Auto 6
			101ó 110	Auto 7
			111ó 120	Auto 8
			121ó 130	Auto 9
			131ó 140	Auto 10
			141ó 150	Custom 1
			151ó 160	Custom 2
			161ó 170	Custom 3
			171ó 180	Custom 4
	181ó 190	Custom 5		
	191ó 200	Custom 6		
	201ó 210	Custom 7		
	211ó 220	Custom 8		
	221ó 230	Custom 9		
	231ó 255	Custom 10		
14	Auto Speed		000ó 255	0–100% (Only when using Auto)
15	Zoom		000ó 255	0–100%
16	Zoom Control		000ó 200	No function
			201ó 220	Zoom reset
			221ó 255	No function
17	Dimmer Speed		000ó 009	Preset dimmer speed from display menu
			010ó 029	Linear dimmer
			030ó 069	Nonlinear dimming curve 1 (fastest)
			070ó 129	Nonlinear dimming curve 2
			130ó 189	Nonlinear dimming curve 3
	190ó 255	Nonlinear dimming curve 4 (slowest)		

DMX Values (Cont.)

TOUR	Channel	Function	Value	Percent/Setting
	1	Dimmer	000○255	0–100%
	2	Red	000○255	0–100% (Step Duration if Custom 1–10 in CH. 8 is active)
	3	Green	000○255	0–100% (Fade Duration if Custom 1–10 in CH. 8 is active)
	4	Blue	000○255	0–100%
	5	White	000○255	0–100%
	6	Color Macro	000○010	No function
			011○030	R: 100% G: 0-100%B: 0
			031○050	R: 100%-0G: 100% B: 0
			051○070	R: 0 G: 100% B: 0-100%
			071○090	R: 0 G: 100%-0B: 100%
			091○110	R: 0-100%G: 0 B: 100%
			111○130	R: 100% G: 0 B: 100%-0
			131○150	R: 100% G: 0-100%B: 0-100%
			151○170	R: 100%-0G: 100%-0B: 100%
			171○200	R: 100% G: 100% B: 100% W: 100%
			201○205	White 1
			206○210	White 2
			211○215	White 3
			216○220	White 4
			221○225	White 5
	226○230	White 6		
	231○235	White 7		
	236○240	White 8		
	241○245	White 9		
	246○250	White 10		
	251○255	White 11		
	7	Strobe Effect	000○009	No function
			010○099	0–20 Hz
			100○109	No function
			110○179	Lightning Strobe
			180○189	No function
			190○255	Random Strobe

DMX Values (Cont.)

TOUR (Cont.)	Channel	Function	Value	Percent/Setting
	8	Programs	000 ∘ 040	No function
			041 ∘ 050	Auto 1
			051 ∘ 060	Auto 2
			061 ∘ 070	Auto 3
			071 ∘ 080	Auto 4
			081 ∘ 090	Auto 5
			091 ∘ 100	Auto 6
			101 ∘ 110	Auto 7
			111 ∘ 120	Auto 8
			121 ∘ 130	Auto 9
			131 ∘ 140	Auto 10
			141 ∘ 150	Custom 1
			151 ∘ 160	Custom 2
			161 ∘ 170	Custom 3
			171 ∘ 180	Custom 4
	181 ∘ 190	Custom 5		
	191 ∘ 200	Custom 6		
	201 ∘ 210	Custom 7		
	211 ∘ 220	Custom 8		
	221 ∘ 230	Custom 9		
	231 ∘ 255	Custom 10		
9	Auto Speed	000 ∘ 255	0–100% (Only when using Auto)	
10	Zoom	000 ∘ 255	0–100%	
11	Zoom Control	000 ∘ 200	No function	
		201 ∘ 220	Zoom reset	
		221 ∘ 255	No function	
12	Dimmer Speed	000 ∘ 009	Preset dimmer speed from display menu	
		010 ∘ 029	Linear dimmer	
		030 ∘ 069	Nonlinear dimming curve 1 (fastest)	
		070 ∘ 129	Nonlinear dimming curve 2	
		130 ∘ 189	Nonlinear dimming curve 3	
190 ∘ 255	Nonlinear dimming curve 4 (slowest)			

DMX Values (Cont.)

SSP	Channel	Function	Value	Percent/Setting
	1	Dimmer	000 ∘ 255	0–100%
	2	Red	000 ∘ 255	0–100%
	3	Green	000 ∘ 255	0–100%
	4	Blue	000 ∘ 255	0–100%
	5	White	000 ∘ 255	0–100%
	6	Strobe Effect	000 ∘ 009	No function
			010 ∘ 099	0–20 Hz
			100 ∘ 109	No function
			110 ∘ 179	Lightning Strobe
			180 ∘ 189	No function
			190 ∘ 255	Random Strobe
	7	Zoom	000 ∘ 255	0–100%
	8	Zoom Control	000 ∘ 200	No function
			201 ∘ 220	Zoom reset
			221 ∘ 255	No function
	9	Dimmer Speed	000 ∘ 009	Preset dimmer speed from display menu
			010 ∘ 029	Linear dimmer
			030 ∘ 069	Nonlinear dimming curve 1 (fastest)
			070 ∘ 129	Nonlinear dimming curve 2
			130 ∘ 189	Nonlinear dimming curve 3
			190 ∘ 255	Nonlinear dimming curve 4 (slowest)

DMX Values (Cont.)

HSIC	Channel	Function	Value	Percent/Setting
	1	Dimmer	000◊255	0–100%
	2	Hue	000◊255	0–100%
	3	Hue Fine	000◊255	0–100%
	4	Saturation	000◊255	0–100%
	5	Color Macro	000◊010	No function
			011◊030	R: 100% G: 0-100%B: 0
			031◊050	R: 100%-0G: 100% B: 0
			051◊070	R: 0 G: 100% B: 0-100%
			071◊090	R: 0 G: 100%-0B: 100%
			091◊110	R: 0-100%G: 0 B: 100%
			111◊130	R: 100% G: 0 B: 100%-0
			131◊150	R: 100% G: 0-100%B: 0-100%
			151◊170	R: 100%-0G: 100%-0B: 100%
			171◊200	R: 100% G: 100% B: 100% W: 100%
			201◊205	White 1
			206◊210	White 2
			211◊215	White 3
			216◊220	White 4
			221◊225	White 5
			226◊230	White 6
	231◊235	White 7		
	236◊240	White 8		
	241◊245	White 9		
	246◊250	White 10		
	251◊255	White 11		
	6	Strobe Effect	000◊009	No function
			010◊099	0–20 Hz
			100◊109	No function
			110◊179	Lightning Strobe
			180◊189	No function
			190◊255	Random Strobe
	7	Zoom	000◊255	0–100%
	8	Zoom Control	000◊200	No function
			201◊220	Zoom reset
			221◊255	No function
	9	Dimmer Speed	000◊009	Preset dimmer speed from display menu
			010◊029	Linear dimmer
			030◊069	Nonlinear dimming curve 1 (fastest)
			070◊129	Nonlinear dimming curve 2
			130◊189	Nonlinear dimming curve 3
			190◊255	Nonlinear dimming curve 4 (slowest)

Acerca de Esta Guía La Guía de Referencia Rápida (GRR) del COLORado 1 Solo contiene información básica sobre el producto, como montaje, opciones de menú y valores DMX. Descargue el Manual de Usuario de www.chauvetprofessional.com para información más detallada.

Exención de Responsabilidad La información y especificaciones contenidas en esta GRR están sujetas a cambio sin previo aviso.

Notas de Seguridad

- NO abra este producto. No contiene piezas reparables por el usuario.
- Para evitar un desgaste innecesario y alargar su vida útil, desconecte completamente el producto de la alimentación, mediante el interruptor o desenchufándolo, durante los periodos en los que no se use.
- NO mire a la fuente de luz cuando el producto esté encendido.
- CUIDADO: La carcasa de este producto está caliente cuando las luces están en funcionamiento.
- Monte este producto en una ubicación con ventilación adecuada, al menos a 20" (50 cm) de superficies adyacentes.
- NO deje ningún material inflamable a menos de 50 cm de este producto mientras esté funcionando o conectado a la alimentación.
- Cuidado: cuando transfiera el producto desde ambientes con temperatura extrema (p. ej., del remolque frío de un camión a una sala de baile con calor y humedad), puede formarse condensación en la electrónica interna del producto. Para evitar que se produzca una avería, deje que el producto se aclimate completamente al ambiente antes de conectar la alimentación.
- No apto para la instalación permanente en exteriores en lugares con condiciones ambientales extremas. Estas incluyen, sin limitarse a ellas:
 - Exposición a un ambiente marino/salino (a menos de 4,8 km de una masa de agua salada).
 - Cuando las temperaturas máxima o mínima habituales del lugar superan los rangos de temperatura en este manual.
 - Lugares proclives a inundaciones o a ser sepultados por la nieve.
 - Otras zonas en las que el producto esté expuesto a radiación extrema o sustancias cáusticas.
- USE un cable de seguridad cuando monte este producto en lo alto.
- NO sumerja este producto (IP65). La operación normal en exteriores es correcta.
- NO ponga en funcionamiento este producto si sospecha que la carcasa, lentes o cables están dañados.
- NO conecte este producto a un atenuador o reostato.
- Conecte este producto SOLO a un circuito con toma de tierra y protegido.
- Use SOLAMENTE los soportes de colgar/montar para mover este producto.
- En caso de un problema grave de funcionamiento, deje de usarlo inmediatamente.
- La máxima temperatura ambiente es de 113 °F (45 °C). No haga funcionar este producto a temperaturas más altas.

Contacto Fuera de EE.UU, Reino Unido, Irlanda, México o Benelux, póngase en contacto con su distribuidor para solicitar asistencia o devolver el producto. Visite www.chauvetprofessional.com para información de contacto.

- Qué va Incluido**
- COLORado 1 Solo
 - Marco de Gel
 - Seetronic Powerkon
 - Tarjeta de Garantía
 - IP65 cable de alimentación
 - Guía de Referencia Rápida

Corriente Alterna Este producto tiene una fuente de alimentación con detección automática que puede funcionar con un rango de tensión de entrada de 100 a 240 VCA, 50/60 Hz.

Alimentación en Cadena Puede enlazar hasta 24 productos COLORado 1 Solo a 120 V, 40 a 208 V, o 45 a 230 V. Nunca sobrepase este número. Los cables de alimentación en cadena se pueden adquirir por separado.

Enchufe CA	Conexión	Cable (EE.UU.)	Cable (Europa)	Color del tornillo
	CA Cargado	Negro	Marrón	Amarillo/Latón
	CA Neutro	Blanco	Azul	Plata
	CA Tierra	Verde/Amarillo	Verde/Amarillo	Verde



Para evitar un desgaste innecesario y alargar su vida útil, desconecte completamente el producto de la alimentación, mediante el interruptor o desenchufándolo, durante los periodos en los que no se use.

Enlace DMX El COLORado 1 Solo funcionará con un controlador DMX usando una conexión serie DMX normal. Hay un manual DMX disponible en www.chauvetprofessional.com.

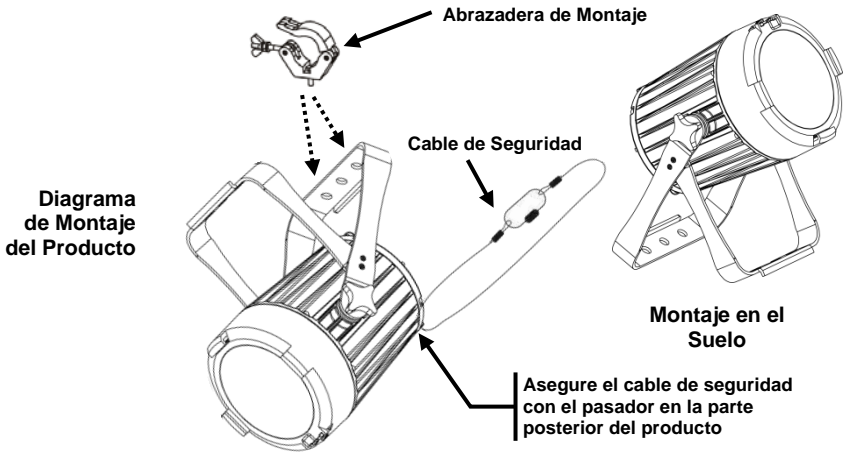
Conexión DMX El COLORado 1 Solo usa una conexión de datos DMX normal para sus personalidades **HSIC, SSP, TOUR, TR16, y STD.Y**. Vea el Manual de Usuario para conectar y configurar para funcionamiento DMX.



Nota: Para un control óptimo de los canales de atenuación de 16 bits en la personalidades TR16 y STD.Y asegúrese de que ambas curvas de atenuación en SETTING > DIMMER están configuradas en OFF.

Conexión Maestro/Esclavo El COLORado 1 Solo usa la conexión de datos DMX para su modo Maestro/Esclavo. Vea el Manual de Usuario para conectar y configurar para funcionamiento Maestro/Esclavo.

Montaje Antes de montar este producto, lea las [Notas de seguridad](#). Asegúrese de que las abrazaderas de montaje son capaces de soportar el peso del producto. Para nuestra línea Chauvet de abrazaderas de montaje, visite <http://trusst.com/products/>.



Montaje en Altura

Descripción del Panel de Control

Botón	Función
<MENU>	Salir del menú o función actual
<ENTER>	Habilita el menú actualmente en pantalla o configura el valor seleccionado actualmente dentro de la función seleccionada
<UP>	Navega hacia arriba por la lista de menú o aumenta el valor numérico cuando está en una función
<DOWN>	Navega hacia abajo por la lista de menú o disminuye el valor numérico cuando está en una función

Código de acceso

Después de que se le solicite, introduzca el siguiente código de acceso pulsando:
 · <UP>, <DOWN>, <UP>, <DOWN>, <ENTER>
 Este código no se puede cambiar y se debe usar cuando se le solicite.

Opciones de Menú

Nivel Principal	Niveles de Programación			Descripción
STATIC	RED	000-255		Combina rojo, verde, azul y blanco para formar un color personalizado (0-100%)
	GREEN			
	BLUE			
	WHITE			
	ZOOM			Cambia el ángulo del haz (zoom)
	STROBE			Selecciona la frecuencia de estroboscopio (0-20 Hz)
ADDRESS	001-512			Selecciona la dirección DMX de inicio
AUTO PROGRAM	AUTO1-10	Speed	000-255	10 programas automáticos
	PROGRAM1-10			10 programas personalizables
RUN MODE	DMX			Modo DMX
	SLAVE			Modo Maestro/Esclavo
ZOOM MODE	ZOOM MODE 1			Operación normal
	ZOOM MODE 2			Se recomienda su uso debajo de 40 ° F
PERSONALITY	HSIC			9 canales: Control H/S/CCT, atenuador, estroboscopio, zoom, reinicio del zoom, velocidad atenuador
	SSP			9 canales: R/V/A/B, atenuador, estroboscopio, zoom, reinicio del zoom, velocidad atenuador
	TOUR			12 canales: RVAB, atenuador, estroboscopio, macro de color, auto/personalizado, velocidad atenuador, velocidad automática, zoom, reinicio del zoom
	TR16			17 canales: 16-bit RVAB y atenuador, estroboscopio, macro de color, auto/personalizado, velocidad atenuador, velocidad automática zoom, reinicio del zoom
	STD.Y			17 canales: 16-bit RVAB y atenuador, estroboscopio, macro de color, auto/personalizado, velocidad atenuador, velocidad automática zoom, reinicio del zoom

Opciones de Menú (Cont.)

Nivel Principal	Niveles de Programación			Descripción		
EDIT	PROGRAM 01-10	SCENE 01- 30	RED	000- 255	Combina rojo, verde, azul y blanco para generar un color personalizado (0-100%)	
			GREEN			
			BLUE			
			WHITE			
			ZOOM			Selecciona el ángulo del haz (zoom)
			STROBE			Selecciona la frecuencia de estroboscopio (0-20 Hz)
			TIME			Define la duración del paso (lento a rápido)
			FADE			Define la duración del fado (lento a rápido)
SETTING	**** (Introducir código de acceso)	UPLOAD	**** (Introducir código de acceso)	SEND	Carga programas personalizados a otros productos COLORado 1 Solo	
		RESET	**** (Introducir código de acceso)		Restablece en el producto los valores de fábrica	
		COLOR	UC		Equilibrio de color universal	
			RGBW		RGB establecido en 255 = equilibrio de blancos	
			OFF		RGB establecido en 255 = máx. potencia	
		DIMMER	OFF		Sin atenuador	
			DIM4		perfil de atenuador	
			DIM3			
			DIM2			
		DMX ERROR	SAVE		Continúa con el último comando tras la pérdida de control DMX	
			BLACK		Apaga (blackout) el dispositivo tras la pérdida de señal DMX	
		PWM	600Hz		Selecciona la frecuencia de emisión PWM	
			1200Hz			
			2000Hz			
			2400Hz			
			6000Hz			
			25000Hz			
		FULL POWER CCT	WARM WHITE		Establece la temperatura del color cuando todos los deslizadores están situados al 100%	
			NEUTRAL WHITE			
			COOL WHITE			
NORMAL			Temperatura de color manual			

Opciones de Menú (Cont.)

Nivel Principal	Niveles de Programación				Descripción
KEY	ON				Activa o desactiva la contraseña
	OFF				
CALIB.C	**** (Introducir código de acceso)	WHITE 01-12	RED	000–255	Modifica los macros de color usados en las personalidades TOUR , TR16 y STD.Y
			GREEN		
			BLUE		
			WHITE		
	RGBW	R.	000–255	Define la temperatura de color usada cuando COLOR se configura como RGBW	
		G.			
B.					
INFO	VERSION	V0.1		Muestra la versión de software instalada	
	RDM	UID	0x21A40067	Muestra actual UID #	
		LABEL	COLORado 1 SoLo		Nombre de producto

Valores DMX

SSP	Canal	Función	Valor	Porcentaje/Configuración
	1	Atenuador	000 ó 255	0–100%
	2	Rojo	000 ó 255	0–100%
	3	Verde	000 ó 255	0–100%
	4	Azul	000 ó 255	0–100%
	5	Blanco	000 ó 255	0–100%
	6	Estroboscopio	000 ó 009	Sin función
			010 ó 099	0–20 Hz
			100 ó 109	Sin función
			110 ó 179	Efecto de iluminación
			180 ó 189	Sin función
			190 ó 255	Aleatorio
	7	Zoom	000 ó 255	0–100%
	8	Reinicio del Zoom	000 ó 200	Sin función
			201 ó 220	Reinicio del Zoom
			221 ó 255	Sin función
	9	Velocidad Atenuador	000 ó 009	Preconfigura la velocidad del atenuador desde la pantalla de menú
			010 ó 029	Atenuador lineal
			030 ó 069	Curva de atenuación no-lineal 1 (la más rápida)
			070 ó 129	Curva de atenuación no-lineal 2
			130 ó 189	Curva de atenuación no-lineal 3
			190 ó 255	Curva de atenuación no-lineal 4 (la más lenta)

Valores DMX (Cont.)

STD.Y	Canal	Función	Valor	Porcentaje/Configuración
	1	Atenuador	000 ó 255	0–100%
	2	Atenuador fino	000 ó 255	Nítido control (16-bit) (Duración del Paso si Personalizado 1–10 está activo en Canal 13)
	3	Rojo	000 ó 255	0–100% (Duración del Fade si Personalizado 1–10 está activo en Canal 13)
	4	Rojo nítido	000 ó 255	Nítido control (16-bit)
	5	Verde	000 ó 255	0–100%
	6	Verde nítido	000 ó 255	Nítido control (16-bit)
	7	Azul	000 ó 255	0–100%
	8	Azul nítido	000 ó 255	Nítido control (16-bit)
	9	Blanco	000 ó 255	0–100%
	10	Blanco nítido	000 ó 255	Nítido control (16-bit)
	11	Macro de Color + Equilibrio de Blancos	000 ó 010	Sin función
	011 ó 030		R: 100% V: 0–100% A: 0	
	031 ó 050		R: 100%–0 V: 100% A: 0	
	051 ó 070		R: 0 V: 100% A: 0–100%	
	071 ó 090		R: 0 V: 100%–0 A: 100%	
	091 ó 110		R: 0–100% V: 0 A: 100%	
	111 ó 130		R: 100% V: 0 A: 100%–0	
	131 ó 150		R: 100% V: 0–100% A: 0–100%	
	151 ó 170		R: 100%–0 V: 100%–0 A: 100%	
	171 ó 200		RVAB: 100%	
	201 ó 205		Blanco 1	
	206 ó 210		Blanco 2	
	211 ó 215		Blanco 3	
	216 ó 220		Blanco 4	
	221 ó 225		Blanco 5	
	226 ó 230		Blanco 6	
	231 ó 235	Blanco 7		
	236 ó 240	Blanco 8		
	241 ó 245	Blanco 9		
	246 ó 250	Blanco 10		
	251 ó 255	Blanco 11		
	12	Estroboscopio	000 ó 009	Sin función
	010 ó 099		0–20 Hz	
	100 ó 109		Sin función	
	110 ó 179		Efecto de iluminación	
	180 ó 189		Sin función	
	190 ó 255		Aleatorio	

Valores DMX (Cont.)

STD.Y (Cont.)	Canal	Función	Valor	Porcentaje/Configuración
	13	Programas	000 ó 040	Sin función
			041 ó 049	Auto 1
			050 ó 059	Auto 2
			060 ó 069	Auto 3
			070 ó 079	Auto 4
			080 ó 089	Auto 5
			090 ó 099	Auto 6
			100 ó 109	Auto 7
			110 ó 119	Auto 8
			120 ó 129	Auto 9
			130 ó 139	Auto 10
			140 ó 149	Personalizado 1
			150 ó 159	Personalizado 2
			160 ó 169	Personalizado 3
			170 ó 179	Personalizado 4
			180 ó 189	Personalizado 5
			190 ó 199	Personalizado 6
200 ó 209	Personalizado 7			
210 ó 219	Personalizado 8			
220 ó 229	Personalizado 9			
230 ó 255	Personalizado 10			
14	Velocidad Automática		000 ó 255	0–100% (solo cuando se usa Auto 1–10 en Canal 13)
15	Zoom		000 ó 255	0–100%
16	Reinicio del Zoom	000 ó 200		Sin función
		201 ó 220		Reinicio del zoom
		221 ó 255		Sin función
17	Velocidad Atenuador	000 ó 009		Preconfigura la velocidad del atenuador desde la pantalla de menú
		010 ó 029		Atenuador lineal
		030 ó 069		Curva de atenuación no-lineal 1 (la más rápida)
		070 ó 129		Curva de atenuación no-lineal 2
		130 ó 189		Curva de atenuación no-lineal 3
190 ó 255		Curva de atenuación no-lineal 4 (la más lenta)		

Valores DMX (Cont.)

TR16	Canal	Función	Valor	Porcentaje/Configuración
	1	Atenuador	000 ó 255	0–100%
	2	Atenuador fino	000 ó 255	Nítido control (16-bit) (Duración del Paso si Personalizado 1–10 está activo en Canal 13)
	3	Rojo	000 ó 255	0–100% (Duración del Fade si Personalizado 1–10 está activo en Canal 13)
	4	Rojo nítido	000 ó 255	Nítido control (16-bit)
	5	Verde	000 ó 255	0–100%
	6	Verde nítido	000 ó 255	Nítido control (16-bit)
	7	Azul	000 ó 255	0–100%
	8	Azul nítido	000 ó 255	Nítido control (16-bit)
	9	Blanco	000 ó 255	0–100%
	10	Blanco nítido	000 ó 255	Nítido control (16-bit)
	11	Macro de Color + Equilibrio de Blancos	000 ó 010 Sin función 011 ó 030 R: 100% V: 0–100% A: 0 031 ó 050 R: 100%–0 V: 100% A: 0 051 ó 070 R: 0 V: 100% A: 0–100% 071 ó 090 R: 0 V: 100%–0 A: 100% 091 ó 110 R: 0–100% V: 0 A: 100% 111 ó 130 R: 100% V: 0 A: 100%–0 131 ó 150 R: 100% V: 0–100% A: 0–100% 151 ó 170 R: 100%–0 V: 100%–0 A: 100% 171 ó 200 RVAB: 100% 201 ó 205 Blanco 1 206 ó 210 Blanco 2 211 ó 215 Blanco 3 216 ó 220 Blanco 4 221 ó 225 Blanco 5 226 ó 230 Blanco 6 231 ó 235 Blanco 7 236 ó 240 Blanco 8 241 ó 245 Blanco 9 246 ó 250 Blanco 10 251 ó 255 Blanco 11	
	12	Estroboscopio	000 ó 009 Sin función 010 ó 099 0–20 Hz 100 ó 109 Sin función 110 ó 179 Efecto de iluminación 180 ó 189 Sin función 190 ó 255 Aleatorio	

Valores DMX (Cont.)

**TR16
(Cont.)**

Canal	Función	Valor	Porcentaje/Configuración
13	Programas	000 ó 040	Sin función
		041 ó 049	Auto 1
		050 ó 059	Auto 2
		060 ó 069	Auto 3
		070 ó 079	Auto 4
		080 ó 089	Auto 5
		090 ó 099	Auto 6
		100 ó 109	Auto 7
		110 ó 119	Auto 8
		120 ó 129	Auto 9
		130 ó 139	Auto 10
		140 ó 149	Personalizado 1
		150 ó 159	Personalizado 2
		160 ó 169	Personalizado 3
		170 ó 179	Personalizado 4
		180 ó 189	Personalizado 5
		190 ó 199	Personalizado 6
200 ó 209	Personalizado 7		
210 ó 219	Personalizado 8		
220 ó 229	Personalizado 9		
230 ó 255	Personalizado 10		
14	Velocidad Automática	000 ó 255	0–100% (solo cuando se usa Auto 1–10 en Canal 13)
15	Zoom	000 ó 255	0–100%
16	Reinicio del Zoom	000 ó 200	Sin función
		201 ó 220	Reinicio del zoom
		221 ó 255	Sin función
17	Velocidad Atenuador	000 ó 009	Preconfigura la velocidad del atenuador desde la pantalla de menú
		010 ó 029	Atenuador lineal
		030 ó 069	Curva de atenuación no-lineal 1 (la más rápida)
		070 ó 129	Curva de atenuación no-lineal 2
		130 ó 189	Curva de atenuación no-lineal 3
190 ó 255	Curva de atenuación no-lineal 4 (la más lenta)		

Valores DMX (Cont.)

TOUR	Canal	Función	Valor	Porcentaje/Configuración
	1	Atenuador	000 ó 255	0–100%
	2	Rojo	000 ó 255	Nítido control (16-bit) (Duración del Paso si Personalizado 1–10 está activo en Canal 8)
	3	Verde	000 ó 255	0–100% (Duración del Fade si Personalizado 1–10 está activo en Canal 8)
	4	Azul	000 ó 255	0–100%
	5	Blanco	000 ó 255	0–100%
	6	Macro de Color + Equilibrio de Blancos	000 ó 010	Sin función
			011 ó 030	R: 100% V: 0–100% A: 0
			031 ó 050	R: 100%–0 V: 100% A: 0
			051 ó 070	R: 0 V: 100% A: 0–100%
			071 ó 090	R: 0 V: 100%–0 A: 100%
			091 ó 110	R: 0–100% V: 0 A: 100%
			111 ó 130	R: 100% V: 0 A: 100%–0
			131 ó 150	R: 100% V: 0–100% A: 0–100%
			151 ó 170	R: 100%–0 V: 100%–0 A: 100%
			171 ó 200	R: 100% V: 100% A: 100% B: 100%
			201 ó 205	Blanco 1
			206 ó 210	Blanco 2
			211 ó 215	Blanco 3
			216 ó 220	Blanco 4
			221 ó 225	Blanco 5
			226 ó 230	Blanco 6
	231 ó 235	Blanco 7		
	236 ó 240	Blanco 8		
	241 ó 245	Blanco 9		
	246 ó 250	Blanco 10		
	251 ó 255	Blanco 11		
	7	Estroboscopio	000 ó 009	Sin función
			010 ó 099	0–20 Hz
			100 ó 109	Sin función
			110 ó 179	Efecto de iluminación
			180 ó 189	Sin función
			190 ó 255	Aleatorio

Valores DMX (Cont.)

TOUR (Cont.)	Canal	Función	Valor	Porcentaje/Configuración
8		Programas	000 ó 040	Sin función
			041 ó 049	Auto 1
			050 ó 059	Auto 2
			060 ó 069	Auto 3
			070 ó 079	Auto 4
			080 ó 089	Auto 5
			090 ó 099	Auto 6
			100 ó 109	Auto 7
			110 ó 119	Auto 8
			120 ó 129	Auto 9
			130 ó 139	Auto 10
			140 ó 149	Personalizado 1
			150 ó 159	Personalizado 2
			160 ó 169	Personalizado 3
			170 ó 179	Personalizado 4
			180 ó 189	Personalizado 5
			190 ó 199	Personalizado 6
200 ó 209	Personalizado 7			
210 ó 219	Personalizado 8			
220 ó 229	Personalizado 9			
230 ó 255	Personalizado 10			
9	Velocidad Automática		000 ó 255	0–100% (solo cuando se usa Auto 1–10 en Canal 8)
10	Zoom		000 ó 255	0–100%
11	Reinicio del Zoom		000 ó 200	Sin función
			201 ó 220	Reinicio del Zoom
			221 ó 255	Sin función
12	Velocidad Atenuador		000 ó 009	Preconfigura la velocidad del atenuador desde la pantalla de menú
			010 ó 029	Atenuador lineal
			030 ó 069	Curva de atenuación no-lineal 1 (la más rápida)
			070 ó 129	Curva de atenuación no-lineal 2
			130 ó 189	Curva de atenuación no-lineal 3
	190 ó 255	Curva de atenuación no-lineal 4 (la más lenta)		

Valores DMX (Cont.)

HSIC	Canal	Función	Valor	Porcentaje/Configuración
	1	Atenuador	000 ó 255	0–100%
	2	Tono	000 ó 255	0–100%
	3	Tono Fino	000 ó 255	Nítido control (16-bit)
	4	Saturación	000 ó 255	0–100%
	5	Macro de Color + Equilibrio de Blancos	000 ó 010 in función 011 ó 030 R: 100% V: 0–100% A: 0 031 ó 050 R: 100%–0 V: 100% A: 0 051 ó 070 R: 0 V: 100% A: 0–100% 071 ó 090 R: 0 V: 100%–0 A: 100% 091 ó 110 R: 0–100% V: 0 A: 100% 111 ó 130 R: 100% V: 0 A: 100%–0 131 ó 150 R: 100% V: 0–100% A: 0–100% 151 ó 170 R: 100%–0 V: 100%–0 A: 100% 171 ó 200 RVAB: 100% 201 ó 205 Blanco 1 206 ó 210 Blanco 2 211 ó 215 Blanco 3 216 ó 220 Blanco 4 221 ó 225 Blanco 5 226 ó 230 Blanco 6 231 ó 235 Blanco 7 236 ó 240 Blanco 8 241 ó 245 Blanco 9 246 ó 250 Blanco 10 251 ó 255 Blanco 11	
	6	Estroboscopio	000 ó 009 Sin función 010 ó 099 0–20 Hz 100 ó 109 Sin función 110 ó 179 Efecto de iluminación 180 ó 189 Sin función 190 ó 255 Aleatorio	
	7	Zoom	000 ó 255	0–100%
	8	Reinicio del Zoom	000 ó 200 Sin función 201 ó 220 Reinicio del Zoom 221 ó 255 Sin función	
	9	Velocidad Atenuador	000 ó 009 Preconfigura la velocidad del atenuador desde la pantalla de menú 010 ó 029 Atenuador lineal 030 ó 069 Curva de atenuación no-lineal 1 (la más rápida) 070 ó 129 Curva de atenuación no-lineal 2 130 ó 189 Curva de atenuación no-lineal 3 190 ó 255 Curva de atenuación no-lineal 4 (la más lenta)	

À Propos de ce Manuel

Le Manuel de Référence du COLORado 1 Solo (MR) reprend des informations de base sur cet appareil notamment en matière de connexions, montage, options de menu et valeurs DMX. Télécharger le Manuel d'Utilisation sur www.chauvetprofessional.com pour de plus amples informations.

Clause de Non-Responsabilité

Les informations et caractéristiques contenues dans ce manuel sont sujettes à changement sans préavis.

Consignes de Sécurité

- N'ouvrez PAS cet appareil. Il ne contient aucun composant susceptible d'être réparé par l'utilisateur.
- Durant les périodes de non-utilisation, pour éviter toute usure inutile et pour prolonger la durée de vie, déconnectez-entièrement l'appareil en le débranchant de l'alimentation électrique ou en coupant le disjoncteur.
- Ne regardez PAS la source lumineuse lorsque l'appareil fonctionne.
- ATTENTION: le boîtier de cet appareil est brûlant lors du fonctionnement.
- Montez toujours cet appareil dans un endroit bien ventilé, à au moins, 20 pouces (50 cm) des surfaces adjacentes.
- Ne laissez AUCUNE source inflammable dans un rayon de 50 cm de l'appareil lorsque celui-ci fonctionne.
- Attention : Lorsque l'appareil est transféré d'un environnement à température extrême à un autre (par exemple d'un camion froid vers une salle de bal chaude et humide), de la condensation peut se former sur les composants électriques internes. Pour éviter de causer des dommages, laissez l'appareil s'acclimater entièrement au milieu environnant avant de le mettre sous tension.
- Ne convient pas aux installations permanentes en extérieur sur des sites sujets à des conditions environnementales extrêmes. Cela inclut par exemple :
 - L'exposition à un environnement marin ou à une solution saline (à moins de 4,8 kilomètres d'un corps d'eau salée).
 - Lorsque les températures moyennes hautes ou basses du site dépassent les plages de températures indiquées dans ce manuel.
 - Les sites qui sont sujets aux inondations ou qui présentent un risque d'être ensevelis sous la neige.
 - Tout autre endroit où le produit risque d'être soumis à des rayonnements extrêmes ou à des substances caustiques.
- Utilisez TOUJOURS un câble de sécurité lorsque vous montez cet appareil en hauteur.
- N'immergez PAS ce produit (IP 65). Un usage normal en extérieur est autorisé.
- N'utilisez PAS cet appareil si le boîtier, les lentilles ou les câbles vous semblent endommagés.
- Ne connectez PAS cet appareil ni à un gradateur ni à un rhéostat.
- Connectez UNIQUEMENT cet appareil à un circuit protégé et relié à la terre.
- Transportez/Suspendez cet appareil UNIQUEMENT par le support de montage dont il est doté.
- En cas de sérieux problèmes de fonctionnement, arrêtez le système immédiatement.
- La température ambiante maximale supportée par cet appareil est de 113 °F (45 °C). Ne le faites pas fonctionner à des températures plus élevées.

Contact En dehors des États-Unis, du Royaume-Uni, de l'Irlande, du Mexique, et du Benelux, contactez votre fournisseur si vous avez besoin d'assistance ou de retourner votre appareil. Consultez le site www.chauvetprofessional.com pour trouver nos coordonnées.

Ce Qui est Inclus

- COLORado 1 Solo
- Fiche de Garantie
- Seetronic Powerkon
- Fiche de Garantie
- IP65 cordon d'alimentation
- Manuel de Référence

Alimentation CA Cet appareil est doté d'une alimentation universelle prenant en charge toute tension d'entrée comprise entre 100 et 240 VCA, 50/60 Hz.

Connexion Électrique Vous pouvez connecter entre eux jusqu'à 24 COLORado 1 Solo à 120 V, 40 unités à 208 V, ou 45 unités à 230 V. Ne dépassez jamais cette limite. Vous pouvez vous procurer séparément des cordons d'alimentation.

Prise CA	Connexion	Câble (États-Unis)	Câble (Europe)	Couleur de la vis
Conducteur CA		Noir	Marron	Jaune/Cuivré
Neutre CA		Blanc	Bleu	Argenté
Terre CA		Vert/Jaune	Vert/Jaune	Vert



Durant les périodes de non-utilisation, pour éviter tout usure inutile et pour prolonger la durée de vie, déconnectez-entièrement l'appareil en le débranchant de l'alimentation électrique ou en coupant le disjoncteur.

Raccordement DMX Le COLORado 1 Solo fonctionnera avec un jeu d'orgues DMX au moyen de connexions DMX en série standard. Une introduction au DMX est à votre disposition sur www.chauvetprofessional.com.

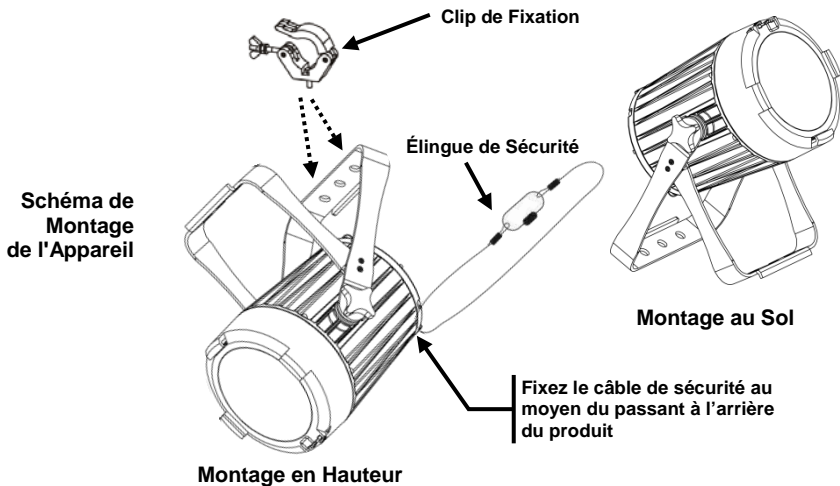
Connexion DMX Le COLORado 1 Solo utilise une connexion de données DMX standard pour ses personnalités DMX: **HSIC, SSP, TOUR, TR16**, et **STD.Y**. Consultez le Manuel d'Utilisation pour connecter et configurer le système DMX.



Remarque : Pour une commande optimale des canaux de gradation 16 bits dans les personnalités STD.Y et TR16, veillez à ce que les deux courbes de gradation dans SETTING > DIMMER soient sur OFF.

Connexion Maître/Esclave Le COLORado 1 Solo utilise une connexion de données DMX pour son mode Maître/Esclave. Consultez le Manuel d'Utilisation pour connecter et configurer le mode de fonctionnement Maître/Esclave.

Installation Avant de monter cet appareil, lisez et assimilez les [Consignes de Sécurité](#). Veillez à ce que les fixations sont capables de supporter le poids de l'unité. Découvrez notre gamme de fixations Chauvet sur trusst.com/productcategory/base-plates-accessories-clamps/.



**Description du
Tableau de
Commandes**

Bouton	Fonction
<MENU>	Permet la sortie du menu ou de la fonction en cours
<ENTER>	Permet l'affichage du menu en cours ou permet de configurer la valeur en cours dans la fonction sélectionnée
<UP>	Permet de parcourir les listes ou les menus vers le haut, dans une fonction permet d'augmenter les valeurs numériques
<DOWN>	Permet de parcourir les listes ou les menus vers le bas, dans une fonction permet de diminuer les valeurs numériques

Code d'accès Une fois affiché, saisissez le code d'accès suivant comme suit:

. <UP>, <DOWN>, <UP>, <DOWN>, <ENTER>

Ce code ne peut pas être modifié et doit être saisi sur demande.

Options du Menu

Niveau Principal	Niveaux de Programmation			Description	
STATIC	RED		000-255	Combine les couleurs rouge, vert, bleu et blanc pour un résultat personnalisé (0-100%)	
	GREEN				
	BLUE				
	WHITE				
	ZOOM			Change l'angle du faisceau (zoom)	
	STROBE			Sélectionne la fréquence du stroboscope (0-20 Hz)	
ADDRESS	001-512			Sélectionne l'adresse DMX de départ	
AUTO PROGRAM	AUTO1-10	Speed	000-255	10 programmes automatiques	
	PROGRAM1-10			10 programmes - personnaliser	
RUN MODE	DMX			Mode DMX	
	SLAVE			Mode maître/esclave	
ZOOM MODE	ZOOM MODE 1			Fonctionnement normal	
	ZOOM MODE 2			Recommandé pour une utilisation inférieure à 40 ° F	
PERSONALITY	HSIC			9 canaux: H/S/CCT, gradateur, stroboscope, vitesse gradateur, zoom, réinit. du zoom	
	SSP			9 canaux: RVBb, gradateur, stroboscope, vitesse gradateur, zoom, réinit. du zoom	
	TOUR			12 canaux: RVBb, gradateur, stroboscope, macro de couleurs, effet d'anneau, vitesse gradateur, vitesse auto, zoom, réinit. du zoom	
	TR16			17 canaux: RVBb 16 bit, gradateur, stroboscope, macro de couleurs, effet d'anneau, vitesse gradateur, vitesse auto, zoom, réinit. du zoom	
	STD.Y			17 canaux: RVBb 16 bit, gradateur, stroboscope, macro de couleurs, effet d'anneau, vitesse gradateur, vitesse auto, zoom, réinit. du zoom	
EDIT	PROGRAM 01-10	SCENE 01-30	RED	000-255	Combine les couleurs rouge, vert, bleu et blanc pour un résultat personnalisé (0-100%)
			GREEN		
			BLUE		
			WHITE		
			ZOOM		Change l'angle du faisceau (zoom)
			STROBE		Sélectionne la fréquence du stroboscope (0-20 Hz)
			TIME		Définit la durée de pas (lent à rapide)
			FADE		Définit la durée du fondu (lent à rapide)

Options du Menu (Cont.)

Niveau Principal	Niveaux de Programmation			Description		
SETTING	**** (Saisir le code d'accès)	UPLOAD	**** (Saisir le code d'accès)	SEND	Télécharge les programmes personnalisés sur d'autres COLORado 1 Solo	
		RESET	**** (Saisir le code d'accès)		Retour aux réglages d'usine par défaut	
		COLOR	UC			Balance des couleurs universelle
			RGBW			RVB configuré sur 255 = balance des blancs
			OFF			RVB configuré sur 255 = sortie max.
		DIMMER	OFF			Pas de gradateur
			DIM4			Profil de gradation
			DIM3			
			DIM2			
			DIM1			
		DMX ERROR	SAVE			En cas de perte de commande DMX, la dernière commande se maintiendra
			BLACK			Met l'unité en noir général en cas de perte de signal DMX
		PWM	600Hz			Permet de sélectionner la fréquence de sortie MLI,
			1200Hz			
			2000Hz			
			2400Hz			
			6000Hz			
			25000Hz			
		FULL POWER CCT	WARM WHITE			Définit la température de couleur lorsque tous les potentiomètres de couleur sont réglés sur 100%.
			NEUTRAL WHITE			
COOL WHITE						
NORMAL				Réglage manuel de température de couleur		

Options du Menu (Cont.)

Niveau Principal	Niveaux de Programmation				Description
KEY	ON				Active ou désactive le mot de passe
	OFF				
CALIB.C	**** (Saisir le code d'accès)	WHITE 01-12	RED	000-255	Modifie les couleurs des macros utilisées dans les personnalités TOUR , TR16 , et STD.Y
			GREEN		
			BLUE		
			WHITE		
	RGBW	R.	000-255	Définit la température de la couleur utilisée quand COLOR est configuré sur RGBW	
		G.			
B.					
INFO	VERSION	V0.1		Affiche la version du logiciel installée.	
	RDM	UID	0x21A40067 ____	Affiche UID actuel #	
		LABEL	COLORado 1 SoLo		Nom produit

Valeurs DMX

STD.Y	Canal	Fonction	Valeur	Pourcentage/Configuration
	1	Gradateur	000◊255	0–100%
	2	Gradateur fin	000◊255	0–100%
	3	Rouge	000◊255	0–100% (Durée de Pas si Personnalisé 1–10 est activé dans Canal 13)
	4	Rouge fin	000◊255	0–100% (Durée du Fond si Personnalisé 1–10 est activé dans Canal 13)
	5	Vert	000◊255	0–100%
	6	Vert fin	000◊255	0–100%
	7	Bleu	000◊255	0–100%
	8	Bleu fin	000◊255	0–100%
	9	Blanc	000◊255	0–100%
	10	Blanc fin	000◊255	0–100%
	11	Macros de Couleurs + Balance des Blancs	000◊010 Pas de fonction 011◊030 R: 100% V: 0–100% B: 0 031◊050 R: 100%–0 V: 100% B: 0 051◊070 R: 0 V: 100% B: 0–100% 071◊090 R: 0 V: 100%–0 B: 100% 091◊110 R: 0–100% V: 0 B: 100% 111◊130 R: 100% V: 0 B: 100%–0 131◊150 R: 100% V: 0–100% B: 0–100% 151◊170 R: 100%–0 V: 100%–0 B: 100% 171◊200 RVBb: 100% 201◊205 Blanc 1 206◊210 Blanc 2 211◊215 Blanc 3 216◊220 Blanc 4 221◊225 Blanc 5 226◊230 Blanc 6 231◊235 Blanc 7 236◊240 Blanc 8 241◊245 Blanc 9 246◊250 Blanc 10 251◊255 Blanc 11	
	12	Stroboscope	000◊009 Pas de fonction 010◊099 0–20 Hz 100◊109 Pas de fonction 110◊179 Effet d'éclairage 180◊189 Pas de fonction 190◊255 Aléatoire	

Valeurs DMX (Suite)

STD.Y (Suite)	Canal	Fonction	Valeur	Pourcentage/Configuration
13	Programmes	000	040	Pas de fonction
		041	049	Auto 1
		050	059	Auto 2
		060	069	Auto 3
		070	079	Auto 4
		080	089	Auto 5
		090	099	Auto 6
		100	109	Auto 7
		110	119	Auto 8
		120	129	Auto 9
		130	139	Auto 10
		140	149	Personnalisé 1
		150	159	Personnalisé 2
		160	169	Personnalisé 3
		170	179	Personnalisé 4
		180	189	Personnalisé 5
190	199	Personnalisé 6		
200	209	Personnalisé 7		
210	219	Personnalisé 8		
220	229	Personnalisé 9		
230	255	Personnalisé 10		
14	Vitesse Auto	000	255	0–100% (seulement en utilisation avec Auto 1–10 dans Canal 13)
15	Zoom	000	255	0–100%
16	Réinitialisation du Zoom	000	200	Pas de fonction
		201	220	Réinitialisation du zoom
		221	255	Pas de fonction
17	Vitesse du Gradateur	000	009	Vitesse du gradateur prédéfinie depuis le menu Gradateur linéaire
		010	029	Courbe de gradation non linéaire 1 (la plus rapide)
		030	069	Courbe de gradation non linéaire 2
		070	129	Courbe de gradation non linéaire 3
		130	189	Courbe de gradation non linéaire 4 (la moins rapide)
190	255			

Valeurs DMX (Suite)

TR16	Canal	Fonction	Valeur	Pourcentage/Configuration
	1	Gradateur	000◊255	0–100%
	2	Gradateur fin	000◊255	0–100%
	3	Rouge	000◊255	0–100% (Durée de Pas si Personnalisé 1–10 est activé dans Canal 13)
	4	Rouge fin	000◊255	0–100% (Durée du Fond si Personnalisé 1–10 est activé dans Canal 13)
	5	Vert	000◊255	0–100%
	6	Vert fin	000◊255	0–100%
	7	Bleu	000◊255	0–100%
	8	Bleu fin	000◊255	0–100%
	9	Blanc	000◊255	0–100%
	10	Blanc fin	000◊255	0–100%
	11	Macros de Couleurs + Balance des Blancs	000◊010 Pas de fonction 011◊030 R: 100% V: 0–100% B: 0 031◊050 R: 100%–0 V: 100% B: 0 051◊070 R: 0 V: 100% B: 0–100% 071◊090 R: 0 V: 100%–0 B: 100% 091◊110 R: 0–100% V: 0 B: 100% 111◊130 R: 100% V: 0 B: 100%–0 131◊150 R: 100% V: 0–100% B: 0–100% 151◊170 R: 100%–0 V: 100%–0 B: 100% 171◊200 RVBb: 100% 201◊205 Blanc 1 206◊210 Blanc 2 211◊215 Blanc 3 216◊220 Blanc 4 221◊225 Blanc 5 226◊230 Blanc 6 231◊235 Blanc 7 236◊240 Blanc 8 241◊245 Blanc 9 246◊250 Blanc 10 251◊255 Blanc 11	
	12	Stroboscope	000◊009 Pas de fonction 010◊099 0–20 Hz 100◊109 Pas de fonction 110◊179 Effet d'éclairage 180◊189 Pas de fonction 190◊255 Aléatoire	

Valeurs DMX (Suite)

TR16 (Suite)	Canal	Fonction	Valeur	Pourcentage/Configuration
13	Programmes	000	040	Pas de fonction
		041	049	Auto 1
		050	059	Auto 2
		060	069	Auto 3
		070	079	Auto 4
		080	089	Auto 5
		090	099	Auto 6
		100	109	Auto 7
		110	119	Auto 8
		120	129	Auto 9
		130	139	Auto 10
		140	149	Personnalisé 1
		150	159	Personnalisé 2
		160	169	Personnalisé 3
		170	179	Personnalisé 4
180	189	Personnalisé 5		
190	199	Personnalisé 6		
200	209	Personnalisé 7		
210	219	Personnalisé 8		
220	229	Personnalisé 9		
230	255	Personnalisé 10		
14	Vitesse Auto	000	255	0–100% (seulement en utilisation avec Auto 1–10 dans Canal 13)
15	Zoom	000	255	0–100%
16	Réinitialisation du Zoom	000	200	Pas de fonction
		201	220	Réinitialisation du zoom
		221	255	Pas de fonction
17	Vitesse du Gradateur	000	009	Vitesse du gradateur prédéfinie depuis le menu Gradateur linéaire
		010	029	Courbe de gradation non linéaire 1 (la plus rapide)
		030	069	Courbe de gradation non linéaire 2
		070	129	Courbe de gradation non linéaire 3
		130	189	Courbe de gradation non linéaire 4 (la moins rapide)
190	255			

Valeurs DMX (Suite)

TOUR	Canal	Fonction	Valeur	Pourcentage/Configuration
	1	Gradateur	000ó 255	0–100%
	2	Rouge	000ó 255	0–100% (Durée de Pas si Personnalisé 1–10 est activé dans Canal 8)
	3	Vert	000ó 255	0–100% (Durée du Fond si Personnalisé 1–10 est activé dans Canal 8)
	4	Bleu	000ó 255	0–100%
	5	Blanc	000ó 255	0–100%
	6	Macros de Couleurs + Balance des Blancs	000ó 010	Pas de fonction
011ó 030			R: 100% V: 0–100% B: 0	
031ó 050			R: 100%–0 V: 100% B: 0	
051ó 070			R: 0 V: 100% B: 0–100%	
071ó 090			R: 0 V: 100%–0 B: 100%	
091ó 110			R: 0–100% V: 0 B: 100%	
111ó 130			R: 100% V: 0 B: 100%–0	
131ó 150			R: 100% V: 0–100% B: 0–100%	
151ó 170			R: 100%–0 V: 100%–0 B: 100%	
171ó 200			RVBb: 100%	
201ó 205			Blanc 1	
206ó 210			Blanc 2	
211ó 215			Blanc 3	
216ó 220			Blanc 4	
221ó 225			Blanc 5	
226ó 230			Blanc 6	
231ó 235			Blanc 7	
236ó 240	Blanc 8			
241ó 245	Blanc 9			
246ó 250	Blanc 10			
251ó 255	Blanc 11			
	7	Stroboscope	000ó 009	Pas de fonction
010ó 099			0–20 Hz	
100ó 109			Pas de fonction	
110ó 179			Effet d'éclairage	
180ó 189			Pas de fonction	
190ó 255			Aléatoire	

Valeurs DMX (Suite)

TOUR (Suite)	Canal	Fonction	Valeur	Pourcentage/Configuration
8		Programmes	000 ∘ 040	Pas de fonction
			041 ∘ 050	Auto 1
			051 ∘ 060	Auto 2
			061 ∘ 070	Auto 3
			071 ∘ 080	Auto 4
			081 ∘ 090	Auto 5
			091 ∘ 100	Auto 6
			101 ∘ 110	Auto 7
			111 ∘ 120	Auto 8
			121 ∘ 130	Auto 9
			131 ∘ 140	Auto 10
			141 ∘ 150	Personnalisé 1
			151 ∘ 160	Personnalisé 2
			161 ∘ 170	Personnalisé 3
			171 ∘ 180	Personnalisé 4
			181 ∘ 190	Personnalisé 5
			191 ∘ 200	Personnalisé 6
201 ∘ 210	Personnalisé 7			
211 ∘ 220	Personnalisé 8			
221 ∘ 230	Personnalisé 9			
231 ∘ 255	Personnalisé 10			
9	Vitesse Auto		000 ∘ 255	0–100% (seulement en utilisation avec Auto 1–10 dans Canal 8)
10	Zoom		000 ∘ 255	0–100%
11	Réinitialisation du Zoom		000 ∘ 200	Pas de fonction
			201 ∘ 220	Réinitialisation du zoom
			221 ∘ 255	Pas de fonction
12	Vitesse du Gradateur		000 ∘ 009	Vitesse du gradateur prédéfinie depuis le menu
			010 ∘ 029	Gradateur linéaire
			030 ∘ 069	Courbe de gradation non linéaire 1 (le plus rapide)
			070 ∘ 129	Courbe de gradation non linéaire 2
			130 ∘ 189	Courbe de gradation non linéaire 3
	190 ∘ 255	Courbe de gradation non linéaire 4 (le moins rapide)		

Valeurs DMX (Suite)

SSP	Canal	Fonction	Valeur	Pourcentage/Configuration
	1	Gradateur	000ó 255	0–100%
	2	Rouge	000ó 255	0–100%
	3	Vert	000ó 255	0–100%
	4	Bleu	000ó 255	0–100%
	5	Blanc	000ó 255	0–100%
	6	Stroboscope	000ó 009 010ó 099 100ó 109 110ó 179 180ó 189 190ó 255	Pas de fonction 0–20 Hz Pas de fonction Effet d'éclairage Pas de fonction Aléatoire
	7	Zoom	000ó 255	0–100%
	8	Réinitialisation du Zoom	000ó 200 201ó 220 221ó 255	Pas de fonction Réinitialisation du zoom Pas de fonction
	9	Vitesse du Gradateur	000ó 009 010ó 029 030ó 069 070ó 129 130ó 189 190ó 255	Vitesse du gradateur prédéfinie depuis le menu Gradateur linéaire Courbe de gradation non linéaire 1 (la plus rapide) Courbe de gradation non linéaire 2 Courbe de gradation non linéaire 3 Courbe de gradation non linéaire 4 (la moins rapide)

Valeurs DMX (Suite)

HSIC	Canal	Fonction	Valeur	Pourcentage/Configuration
	1	Gradateur	000 ó 255	0–100%
	2	Teintes	000 ó 255	0–100%
	3	Teintes Fin	000 ó 255	Contrôle précis (16-bit)
	4	Saturation	000 ó 255	0–100%
	5	Macros de Couleurs + Balance des Blancs	000 ó 010	Pas de fonction
			011 ó 030	R: 100% V: 0–100% B: 0
			031 ó 050	R: 100%–0 V: 100% B: 0
			051 ó 070	R: 0 V: 100% B: 0–100%
			071 ó 090	R: 0 V: 100%–0 B: 100%
			091 ó 110	R: 0–100% V: 0 B: 100%
			111 ó 130	R: 100% V: 0 B: 100%–0
			131 ó 150	R: 100% V: 0–100% B: 0–100%
			151 ó 170	R: 100%–0 V: 100%–0 B: 100%
			171 ó 200	RVBb: 100%
			201 ó 205	Blanc 1
			206 ó 210	Blanc 2
			211 ó 215	Blanc 3
			216 ó 220	Blanc 4
			221 ó 225	Blanc 5
			226 ó 230	Blanc 6
			231 ó 235	Blanc 7
	236 ó 240	Blanc 8		
	241 ó 245	Blanc 9		
	246 ó 250	Blanc 10		
	251 ó 255	Blanc 11		
	6	Stroboscope	000 ó 009	Pas de fonction
			010 ó 099	0–20 Hz
			100 ó 109	Pas de fonction
			110 ó 179	Effet d'éclairage
			180 ó 189	Pas de fonction
			190 ó 255	Aléatoire
	7	Zoom	000 ó 255	0–100%
	8	Réinitialisation du Zoom	000 ó 200	Pas de fonction
			201 ó 220	Réinitialisation du zoom
			221 ó 255	Pas de fonction
	9	Vitesse du Gradateur	000 ó 009	se du gradateur prédéfinie depuis le menu Gradateur linéaire
			010 ó 029	Courbe de gradation non linéaire 1 (la plus rapide)
			030 ó 069	Courbe de gradation non linéaire 2
			070 ó 129	Courbe de gradation non linéaire 3
			130 ó 189	Courbe de gradation non linéaire 4 (la moins rapide)
	190 ó 255			

Over deze handleiding De COLORado 1 Solo Beknopte Handleiding (BH) bevat basisinformatie over het product, zoals aansluiting, montage, menu-opties en DMX-waarden. Download de gebruikershandleiding op www.chauvetprofessional.com voor meer informatie.

Disclaimer De informatie en specificaties in deze BH kunnen zonder voorafgaande kennisgeving worden gewijzigd.

- Veiligheids instructies**
- Open het product NIET. Het bevat geen te onderhouden onderdelen.
 - Om onnodige slijtage te elimineren en zijn levensduur te verlengen, gedurende perioden wanneer het product niet wordt gebruikt, moet u het product van de stroom afsluiten door een aardlekschakelaar om te zetten of door het te ontkoppelen.
 - KIJK NIET in de lichtbron wanneer het apparaat is ingeschakeld.
 - LET OP: De behuizing van dit product kan heet zijn wanneer het in bedrijf is.
 - Monteer dit product op een plek met voldoende ventilatie, ten minste 50 cm van de aangrenzende oppervlakken.
 - Plaats geen ontvlambaar materiaal binnen 50 cm van dit product als het in gebruik is of is aangesloten op het stopcontact.
 - LET OP: Bij het verplaatsen van het product uit extreme omgevingen, (bijv. koude vrachtwagen naar warme, vochtige balzaal) kan er condensvorming optreden op de elektronica van het product. Om storingen te vermijden moet het product volledig kunnen acclimatiseren aan de omgeving voordat het op stroom wordt aangesloten.
 - Niet voor permanente buiteninstallatie in locaties met extreme weersomstandigheden. Dit is met inbegrip van, maar niet beperkt tot:
 - Blootstelling aan een marien/zout milieu (binnen 5 km van zout water).
 - Waar de gebruikelijke hoge of lage temperaturen van de locatie de temperatuurbereiken in deze handleiding overschrijden.
 - Locaties die kunnen overstromen of onder sneeuw begraven kunnen worden.
 - Andere gebieden waar het product blootstaat aan extreme straling of bijtende substanties.
 - GEBRUIK een veiligheidskabel bij het boven het hoofd plaatsen van dit product.
 - Dit product NIET onderdempelen (IP65). Regelmatig gebruik buitenshuis is prima.
 - Gebruik dit product NIET als de behuizing, lenzen of kabels beschadigd lijken.
 - Sluit dit product NIET aan op een dimmer of een regelweerstand.
 - Sluit dit product UITSLUITEND op een geaard en beveiligd stroomcircuit.
 - Gebruik UITSLUITEND de ophang-/montagebeugel om dit product te dragen.
 - Stop in het geval van ernstige operationele problemen onmiddellijk met het gebruik.
 - De maximale omgevingstemperatuur bedraagt 45 °C. Gebruik dit product niet bij hogere temperaturen.

Contact Van buiten de VS, Verenigd Koninkrijk, Ierland, Mexico of Benelux kunt u contact opnemen met de distributeur of om ondersteuning vragen dan wel het product retourneren. Ga naar www.chauvetprofessional.com voor contactinformatie.

Wat is inbegrepen

- COLORado 1 Solo
- Seetronic Powerkon
- IP65 stroomsnoer
- Gelframe
- Garantiekaart
- Beknopte handleiding

AC-stroom Dit product heeft een voeding met automatisch bereik die werkt met een ingangsspanning van 100–240 VAC, 50/60 Hz.

Power Linking U kunt tot 24 COLORado 1 Solo-producten koppelen bij 120 V, 40 producten bij 208 V of 45 producten bij 230 V. Dit aantal niet overschrijden. Power Linking-snoeren kunnen apart aangeschaft worden.

AC-stekker	Aansluiting	Snoer (VS)	Snoer (Europa)	Schroefkleur
	AC Live	Zwart	Bruin	Geel/messing
	AC Neutraal	Wit	Blauw	Zilver
	AC Aarde	Groen/geel	Groen/geel	Groen



Sluit om onnodige slijtage te verhinderen en de levensduur te verlengen tijdens periodes van niet-gebruik het product via stroomonderbreker of de stekker volledig van stroom af.

DMX-koppeling De COLORado 1 Solo kan met een DMX-controller werken met een normale DMX seriële verbinding. Op www.chauvetprofessional.com is een DMX-basishandleiding verkrijgbaar.

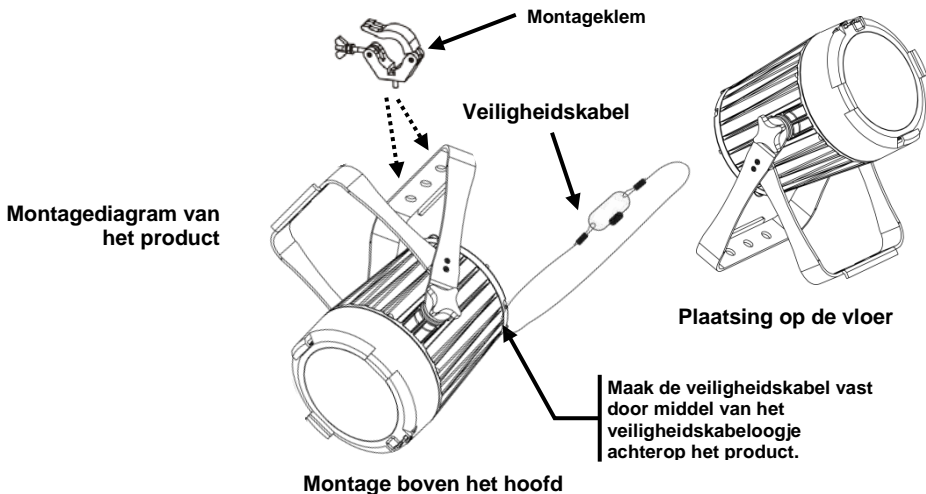
DMX-aansluiting De COLORado 1 Solo gebruikt een normale DMX-gegevensverbinding voor zijn DMX-persoonlijkheden: **HSIC, SSP, TOUR, TR16, en STD.Y**. Zie de gebruikershandleiding om te verbinden en te configureren voor DMX-werking.



Let op: Voor optimale bediening van de 16-bit dimkanalen in de persoonlijkheden TR16 en STD.Y, moet u controleren dat beide dimcurven in SET > DIM en SET > CURV zijn ingesteld naar uit.

Master/slave-verbinding De COLORado 1 Solo maakt gebruik van de DMX-dataverbinding voor haar Master-/Slave-modus. Zie de gebruikershandleiding om te verbinden en te configureren voor Master/Slave-werking.

Montage Lees alvorens dit product te monteren alle [Veiligheidsinstructies](#). Controleer of de montageklem het gewicht van het product kan dragen. Ga voor onze Chauvet-serie montageklemmen naar www.trusst.com/productcategory/accessories-clamps/.



Beschrijving bedieningspaneel

Toets	Functie
<MENU>	Sluit het huidige menu of functie af
<ENTER>	Activeert het huidige getoonde menu of plaatst de huidige geselecteerde waarde in de geselecteerde functie
<UP>	Navigeert omhoog via het menu of verhoogt de numerieke waarde wanneer in een functie
<DOWN>	Navigeert omlaag via het menu of verlaagt de numerieke waarde wanneer in een functie

Toegangscodes Vul na dat gevraagd te worden de volgende toegangscodes in door te drukken op:
 · <UP>, <DOWN>, <UP>, <DOWN>, <ENTER>
 Dit toegangscodes kan niet gewijzigd worden en moet indien gevraagd ingevuld worden.

Menu opties

Hoofdniveau	Programmeerniveaus			Beschrijving		
STATIC			RED	000–255	Combineert rood, groen, blauw en wit om een aangepaste kleur te maken (0–100%)	
			GREEN			
			BLUE			
			WHITE			
			ZOOM			Wijzigt de stralingshoek (zoom)
			STROBE		Selecteert de stroboscoopfrequentie (0–20 Hz)	
ADDRESS	001–512			Selecteert het DMX-startadres		
AUTO PROGRAM	AUTO1-10	Speed	000–255	10 automatische programma's		
	PROGRAM1-10			10 instelbare programma's		
RUN MODE	DMX			DMX-modus		
	SLAVE			Master/Slave-modus		
ZOOM MODE	ZOOM MODE 1			Normale operatie		
	ZOOM MODE 2			Aanbevolen voor gebruik onder 40 ° F		
PERSONALITY	HSIC			9-channel: H/S/CCT dimmer, zoom, zoomherstel, stroboscoop, dimmersnelheid		
	SSP			9-kanaals: RGBW, dimmer, zoom, zoomherstel, stroboscoop, dimmersnelheid		
	TOUR			12-kanaals: RGBW, dimmer, stroboscoop, kleurenmacro, auto/aangepast, dimmersnelheid, autosnelheid, zoom, zoomherstel		
	TR16			17-kanaals: 16-bit RGBW en dimmer; stroboscoop, kleurenmacro, auto/aangepast, dimmersnelheid, autosnelheid, zoom, zoomherstel		
	STD.Y			17-kanaals: 16-bit RGBW en dimmer; stroboscoop, kleurenmacro, auto/aangepast, dimmersnelheid, autosnelheid, zoom, zoomherstel		
EDIT	PROGRAM 01-10	SCENE 01-30	RED	000–255	Combineert rood, groen, blauw en wit om een aangepaste kleur te genereren (0–100%)	
			GREEN			
			BLUE			
			WHITE			
			ZOOM			Selecteert de stralingshoek (zoom)
			STROBE			Selecteert de stroboscoopfrequentie (0–20 Hz)
			TIME			Definieert de stapduur (langzaam tot snel)
			FADE			Definieert de fadeduur (langzaam tot snel)

Menu-opties (vervolg)

Hoofdniveau	Programmeerniveaus			Beschrijving	
SETTING	**** (Toegangs code invullen)	UPLOAD	**** (Toegangs code invullen)	SEND	Uploadt aangepaste programma's naar andere COLORado 1 Solo-producten
		RESET	**** (Toegangs code invullen)		Herstelt product naar de fabrieksinstellingen
		COLOR	UC		Universele kleurenbalans
			RGBW		RGB ingesteld naar 255 = gebalanceerd wit
			OFF		RGB ingesteld naar 255 = max. opbrengst
		DIMMER	OFF		Geen dimmer
			DIM4		Dimmerprofielen
			DIM3		
			DIM2		
			DIM1		
		DMX ERROR	SAVE		Gaat verder met de laatste opdracht na verlies van DMX-regeling
			BLACK		Verduistert de armatuur na verlies van DMX
		PWM	600Hz		Selecteert de PWM-uitgangsfrequentie
			1200Hz		
			2000Hz		
			2400Hz		
			6000Hz		
			25000Hz		
		FULL POWER CCT	WARM WHITE		Stelt de kleurtemperatuur in wanneer alle kleurfaders zijn ingesteld naar 100%
			NEUTRAL WHITE		
COOL WHITE					
NORMAL			Handmatige kleurtemperatuur		

Menu-opties (vervolg)

Hoofdniveau	Programmeerniveaus			Beschrijving	
KEY	ON			Schakelt de toegangscode aan of uit	
	OFF				
CALIB.C	**** (Toegangscode invullen)	WHITE 01-12	RED	000-255	Wijzigt de kleurenmacro's die worden gebruikt in de TOUR , TR16 en STD.Y -persoonlijkheden
			GREEN		
			BLUE		
			WHITE		
	RGBW	R.	000-255	Definieert de kleurtemperatuur die wordt gebruikt wanneer COLOR is ingesteld naar RGBW	
		G.			
B.					
INFO	VERSION	V0.1		Toont de geïnstalleerde softwareversie	
	RDM	UID	0x21A40067____	Geeft de huidige UID #	
		LABEL	COLORado 1 SoLo		Productnaam

DMX-waarden

STD.Y	Kanaal	Functie	Waarde	Percentage/instelling
	1	Dimmer	000ó255	0–100%
	2	Fijne dimmer	000ó255	0–100% (Stapduur indien Custom 1–10 in CH. 13 actief is)
	3	Rood	000ó255	0–100% (Fadeduur indien Custom 1–10 in CH. 13 actief is)
	4	Fijn rood	000ó255	Fijne regeling (16-bit)
	5	Groen	000ó255	0–100%
	6	Fijn groen	000ó255	Fijne regeling (16-bit)
	7	Blauw	000ó255	0–100%
	8	Fijn blauw	000ó255	Fijne regeling (16-bit)
	9	Wit	000ó255	0–100%
	10	Fijn wit	000ó255	Fijne regeling (16-bit)
	11	Kleurenmacro + witbalans	000ó010 011ó030 031ó050 051ó070 071ó090 091ó110 111ó130 131ó150 151ó170 171ó200 201ó205 206ó210 211ó215 216ó220 221ó225 226ó230 231ó235 236ó240 241ó245 246ó250 251ó255	Geen functie R: 100% G: 0–100% B: 0 R: 100%–0 G: 100% B: 0 R: 0 G: 100% B: 0–100% R: 0 G: 100%–0 B: 100% R: 0–100% G: 0 B: 100% R: 100% G: 0 B: 100%–0 R: 100% G: 0–100% B: 0–100% R: 100%–0 G: 100%–0 B: 100% R: 100% G: 100% B: 100% W: 100% Wit 1 Wit 2 Wit 3 Wit 4 Wit 5 Wit 6 Wit 7 Wit 8 Wit 9 Wit 10 Wit 11
	12	Stroboscoop	000ó009 010ó099 100ó109 110ó179 180ó189 190ó255	Geen functie 0–20 Hz Geen functie Verlichtingseffect Geen functie Willekeurig

DMX-waarden (vervolg)

STD.Y (vervolg)	Kanaal	Functie	Waarde	Percentage/instelling
13	Programma's	000	040	Geen functie
		041	050	Auto 1
		051	060	Auto 2
		061	070	Auto 3
		071	080	Auto 4
		081	090	Auto 5
		091	100	Auto 6
		101	110	Auto 7
		111	120	Auto 8
		121	130	Auto 9
		131	140	Auto 10
		141	150	Aangepast 1
		151	160	Aangepast 2
		161	170	Aangepast 3
		171	180	Aangepast 4
		181	190	Aangepast 5
		191	200	Aangepast 6
201	210	Aangepast 7		
211	220	Aangepast 8		
221	230	Aangepast 9		
231	255	Aangepast 10		
14	Automatische snelheid	000	255	0–100% (alleen bij gebruik van Auto 1-10 in Ch. 13)
15	Zoom	000	255	0–100%
16	Zoomherstel	000	200	Geen functie
		201	220	Zoomherstel
		221	255	Geen functie
17	Dimmersnelheid	000	009	Voorinstelling van de dimmersnelheid vanaf het displaymenu
		010	029	Lineaire dimmer
		030	069	Niet-lineaire dimcurve 1 (snelst)
		070	129	Niet-lineaire dimcurve 2
		130	189	Niet-lineaire dimcurve 3
190	255	Niet-lineaire dimcurve 4 (langzaamst)		

DMX-waarden (vervolg)

TR16	Kanaal	Functie	Waarde	Percentage/instelling
	1	Dimmer	000ó255	0–100%
	2	Fijne dimmer	000ó255	0–100% (Stapduur indien Custom 1–10 in CH. 13 actief is)
	3	Rood	000ó255	0–100% (Fadeduur indien Custom 1–10 in CH. 13 actief is)
	4	Fijn rood	000ó255	Fijne regeling (16-bit)
	5	Groen	000ó255	0–100%
	6	Fijn groen	000ó255	Fijne regeling (16-bit)
	7	Blauw	000ó255	0–100%
	8	Fijn blauw	000ó255	Fijne regeling (16-bit)
	9	Wit	000ó255	0–100%
	10	Fijn wit	000ó255	Fijne regeling (16-bit)
	11	Kleurenmacro + witbalans	000ó010 011ó030 031ó050 051ó070 071ó090 091ó110 111ó130 131ó150 151ó170 171ó200 201ó205 206ó210 211ó215 216ó220 221ó225 226ó230 231ó235 236ó240 241ó245 246ó250 251ó255	Geen functie R: 100% G: 0–100% B: 0 R: 100%–0 G: 100% B: 0 R: 0 G: 100% B: 0–100% R: 0 G: 100%–0 B: 100% R: 0–100% G: 0 B: 100% R: 100% G: 0 B: 100%–0 R: 100% G: 0–100% B: 0–100% R: 100%–0 G: 100%–0 B: 100% R: 100% G: 100% B: 100% W: 100% Wit 1 Wit 2 Wit 3 Wit 4 Wit 5 Wit 6 Wit 7 Wit 8 Wit 9 Wit 10 Wit 11
	12	Stroboscoop	000ó009 010ó099 100ó109 110ó179 180ó189 190ó255	Geen functie 0–20 Hz Geen functie Verlichtingseffect Geen functie Willekeurig

DMX-waarden (vervolg)

TR16 (vervolg)	Kanaal	Functie	Waarde	Percentage/instelling
	13	Programma's	000ó 040	Geen functie
			041ó 050	Auto 1
			051ó 060	Auto 2
			061ó 070	Auto 3
			071ó 080	Auto 4
			081ó 090	Auto 5
			091ó 100	Auto 6
			101ó 110	Auto 7
			111ó 120	Auto 8
			121ó 130	Auto 9
			131ó 140	Auto 10
			141ó 150	Aangepast 1
			151ó 160	Aangepast 2
			161ó 170	Aangepast 3
			171ó 180	Aangepast 4
181ó 190	Aangepast 5			
191ó 200	Aangepast 6			
201ó 210	Aangepast 7			
211ó 220	Aangepast 8			
221ó 230	Aangepast 9			
231ó 255	Aangepast 10			
14		Automatische snelheid	000ó 255	0–100% (alleen bij gebruik van Auto 1-10 in Ch. 13)
15		Zoom	000ó 255	0–100%
16		Zoomherstel	000ó 200	Geen functie
			201ó 220	Zoomherstel
			221ó 255	Geen functie
17		Dimmersnelheid	000ó 009	Voorinstelling van de dimmersnelheid vanaf het displaymenu
			010ó 029	Lineaire dimmer
			030ó 069	Niet-lineaire dimcurve 1 (snelst)
			070ó 129	Niet-lineaire dimcurve 2
			130ó 189	Niet-lineaire dimcurve 3
190ó 255	Niet-lineaire dimcurve 4 (langzaamst)			

DMX-waarden (vervolg)

TOUR	Kanaal	Funcctie	Waarde	Percentage/instelling
	1	Dimmer	000ó 255	0–100%
	2	Rood	000ó 255	0–100% (Stapduur indien Custom 1–10 in CH. 8 actief is)
	3	Groen	000ó 255	0–100% (Fadeduur indien Custom 1–10 in CH. 8 actief is)
	4	Blauw	000ó 255	0–100%
	5	Wit	000ó 255	0–100%
	6	Kleurenmacro + witbalans	000ó 010 011ó 030 031ó 050 051ó 070 071ó 090 091ó 110 111ó 130 131ó 150 151ó 170 171ó 200 201ó 205 206ó 210 211ó 215 216ó 220 221ó 225 226ó 230 231ó 235 236ó 240 241ó 245 246ó 250 251ó 255	Geen functie R: 100% G: 0–100% B: 0 R: 100%–0 G: 100% B: 0 R: 0 G: 100% B: 0–100% R: 0 G: 100%–0 B: 100% R: 0–100% G: 0 B: 100% R: 100% G: 0 B: 100%–0 R: 100% G: 0–100% B: 0–100% R: 100%–0 G: 100%–0 B: 100% R: 100% G: 100% B: 100% W: 100% Wit 1 Wit 2 Wit 3 Wit 4 Wit 5 Wit 6 Wit 7 Wit 8 Wit 9 Wit 10 Wit 11
	7	Stroboscoop	000ó 009 010ó 099 100ó 109 110ó 179 180ó 189 190ó 255	Geen functie 0–20 Hz Geen functie Verlichtingseffect Geen functie Willekeurig

DMX-waarden (vervolg)

TOUR (vervolg)	Kanaal	Functie	Waarde	Percentage/instelling
8	8	Programma's	000 ∘ 040	Geen functie
			041 ∘ 050	Auto 1
			051 ∘ 060	Auto 2
			061 ∘ 070	Auto 3
			071 ∘ 080	Auto 4
			081 ∘ 090	Auto 5
			091 ∘ 100	Auto 6
			101 ∘ 110	Auto 7
			111 ∘ 120	Auto 8
			121 ∘ 130	Auto 9
			131 ∘ 140	Auto 10
			141 ∘ 150	Aangepast 1
			151 ∘ 160	Aangepast 2
			161 ∘ 170	Aangepast 3
			171 ∘ 180	Aangepast 4
			181 ∘ 190	Aangepast 5
			191 ∘ 200	Aangepast 6
			201 ∘ 210	Aangepast 7
			211 ∘ 220	Aangepast 8
			221 ∘ 230	Aangepast 9
231 ∘ 255	Aangepast 10			
9	9	Automatische snelheid	000 ∘ 255	0–100% (alleen bij gebruik van Auto 1-10 in Ch. 8)
10	10	Zoom	000 ∘ 255	0–100%
11	11	Zoomherstel	000 ∘ 200	Geen functie
			201 ∘ 220	Zoomherstel
			221 ∘ 255	Geen functie
12	12	Dimmersnelheid	000 ∘ 009	Voorinstelling van de dimmersnelheid vanaf het displaymenu
			010 ∘ 029	Lineaire dimmer
			030 ∘ 069	Niet-lineaire dimcurve 1 (snelst)
			070 ∘ 129	Niet-lineaire dimcurve 2
			130 ∘ 189	Niet-lineaire dimcurve 3
190 ∘ 255	Niet-lineaire dimcurve 4 (langzaamst)			

DMX-waarden (vervolg)

SSP	Kanaal	Functie	Waarde	Percentage/instelling
	1	Dimmer	000ó 255	0–100%
	2	Rood	000ó 255	0–100%
	3	Groen	000ó 255	0–100%
	4	Blauw	000ó 255	0–100%
	5	Wit	000ó 255	0–100%
	6	Stroboscoop	000ó 009	Geen functie
			010ó 099	0–20 Hz
			100ó 109	Geen functie
			110ó 179	Verlichtingseffect
			180ó 189	Geen functie
			190ó 255	Willekeurig
	7	Zoom	000ó 255	0–100%
	8	Zoomherstel	000ó 200	Geen functie
			201ó 220	Zoomherstel
			221ó 255	Geen functie
	9	Dimmersnelheid	000ó 009	Voorinstelling van de dimmersnelheid vanaf het displaymenu
			010ó 029	Lineaire dimmer
			030ó 069	Niet-lineaire dimcurve 1 (snelst)
			070ó 129	Niet-lineaire dimcurve 2
			130ó 189	Niet-lineaire dimcurve 3
			190ó 255	Niet-lineaire dimcurve 4 (langzaamst)

DMX-waarden (vervolg)

HSIC	Kanaal	Functie	Waarde	Percentage/instelling
	1	Dimmer	000 ∘ 255	0–100%
	2	Tint	000 ∘ 255	0–100%
	3	Fijn Tint	000 ∘ 255	Fijne regeling (16-bit)
	4	Verzadiging	000 ∘ 255	0–100%
	5	Kleurenmacro + witbalans	000 ∘ 010	Geen functie
			011 ∘ 030	R: 100% G: 0–100% B: 0
			031 ∘ 050	R: 100%–0 G: 100% B: 0
			051 ∘ 070	R: 0 G: 100% B: 0–100%
			071 ∘ 090	R: 0 G: 100%–0 B: 100%
			091 ∘ 110	R: 0–100% G: 0 B: 100%
			111 ∘ 130	R: 100% G: 0 B: 100%–0
			131 ∘ 150	R: 100% G: 0–100% B: 0–100%
			151 ∘ 170	R: 100%–0 G: 100%–0 B: 100%
			171 ∘ 200	R: 100% G: 100% B: 100% W: 100%
			201 ∘ 205	Wit 1
			206 ∘ 210	Wit 2
			211 ∘ 215	Wit 3
			216 ∘ 220	Wit 4
			221 ∘ 225	Wit 5
			226 ∘ 230	Wit 6
	231 ∘ 235	Wit 7		
	236 ∘ 240	Wit 8		
	241 ∘ 245	Wit 9		
	246 ∘ 250	Wit 10		
	251 ∘ 255	Wit 11		
	6	Stroboscoop	000 ∘ 009	Geen functie
			010 ∘ 099	0–20 Hz
			100 ∘ 109	Geen functie
			110 ∘ 179	Verlichtingseffect
			180 ∘ 189	Geen functie
			190 ∘ 255	Willekeurig
	7	Zoom	000 ∘ 255	0–100%
	8	Zoomherstel	000 ∘ 200	Geen functie
			201 ∘ 220	Zoomherstel
			221 ∘ 255	Geen functie
	9	Dimmersnelheid	000 ∘ 009	Voorinstelling van de dimmersnelheid vanaf het displaymenu
			010 ∘ 029	Lineaire dimmer
			030 ∘ 069	Niet-lineaire dimcurve 1 (snelst)
			070 ∘ 129	Niet-lineaire dimcurve 2
			130 ∘ 189	Niet-lineaire dimcurve 3
	190 ∘ 255	Niet-lineaire dimcurve 4 (langzaamst)		

Contact USA WORLD HEADQUARTERS

Us **General Information - Chauvet**
 Address: 5200 NW 108th Avenue
 Sunrise, FL 33351
 Voice: (954) 577-4455
 Fax: (954) 929-5560
 Toll free: (800) 762-1084

Technical Support
 Voice: (954) 577-4455 (Press 4)
 Fax: (954) 756-8015
 Email: tech@chauvetlighting.com

World Wide Web
www.chauvetlighting.com

EUROPE

General Information - Chauvet Europe BVBA
 Address: Stokstraat 18
 9770 Kruishoutem
 Belgium
 Voice: +32 9 388 93 97

Technical Support
 Email: Eutech@chauvetlighting.eu

World Wide Web
www.chauvetlighting.eu

General Information - Chauvet Europe Ltd.
 Address: Unit 1C
 Brookhill Road Industrial Estate
 Pinxton, Nottingham, UK
 NG16 6NT
 Voice: +44 (0)1773 511115
 Fax: +44 (0)1773 511110

Technical Support
 Email: uktech@chauvetlighting.com

World Wide Web
www.chauvetlighting.co.uk

MEXICO

General Information - Chauvet Mexico
 Address: Av. Santa Ana 30
 Parque Industrial Lerma
 Lerma, Mexico C.P. 52000
 Voice: +52 (728) 285-5000

Technical Support
 Email: servicio@chauvet.com.mx

World Wide Web
www.chauvet.com.mx

Outside the U.S., United Kingdom, Ireland, Mexico, or Benelux contact the dealer of record. Follow their instructions to request support or to return a product. Visit our website for contact details.

